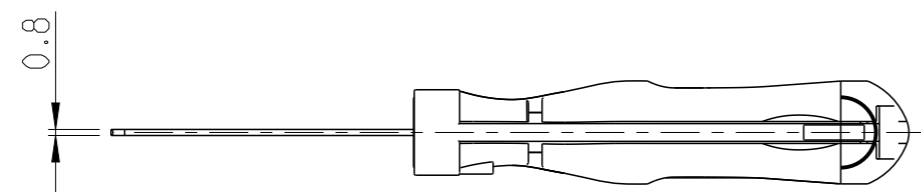
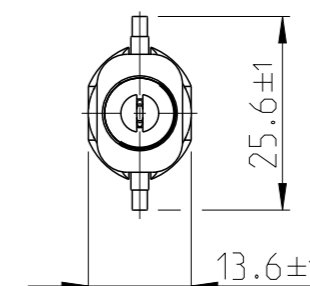
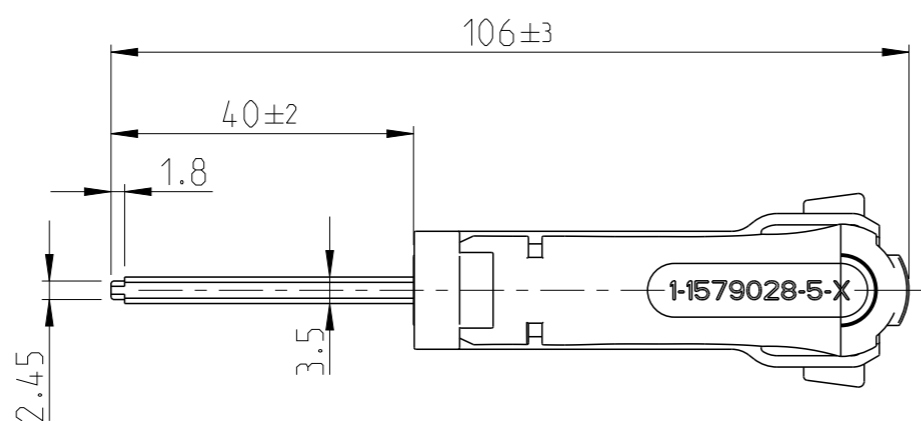
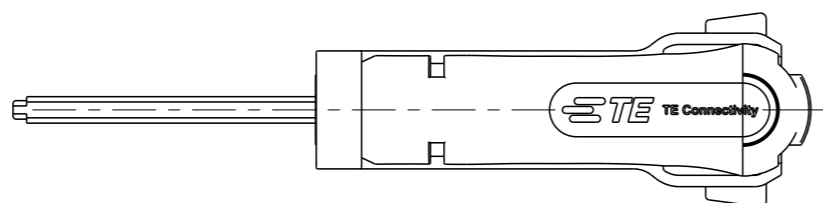
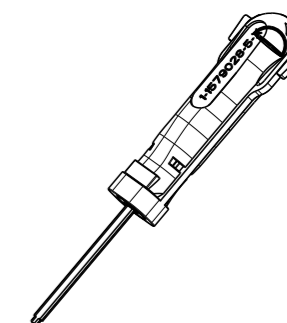


REVISIONS

P	LTR	DESCRIPTION	DATE	DWN	APVD
	A	Initial release	30OCT2013	RG	RG
	B	ECR-13-018100	19NOV2013	RG	RG



1:2



Anwendungsbereich / Application range

Schliessen und oeffnen der Sekundaerverriegelung eines 2pol. Stiftgehaeuses/  
Closing and opening the second secondary lock of 2 WAY. MALE HOUSING

Gehauese/Housing: 1703498

THIS DRAWING IS A CONTROLLED DOCUMENT.		DWN R. Germann 30OCT2013				
DIMENSIONS: mm		CHK R. Germann 30OCT2013				
TOLERANCES UNLESS OTHERWISE SPECIFIED:		APVD -	NAME Insertion Tool Verriegelungswerkzeug			
		PRODUCT SPEC -	APPLICATION SPEC -			
MATERIAL -		FINISH -	SIZE A3	CAGE CODE -	DRAWING NO ©-1-1579028-5	RESTRICTED TO -
		WEIGHT 14g	SCALE 1:1	SHEET 1 OF 1	REV B	
		Customer Drawing				