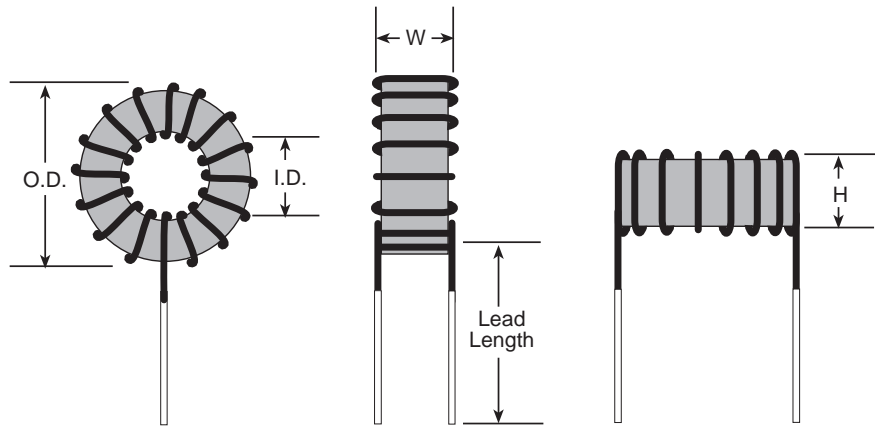




Toroidal Chokes TC100



Vertical Mount

Horizontal Mount

Allied Part Number	Inductance (μh)	Tolerance (%)	DCR Max (Ω)	I MAX (Amps)	OD (Nom)	ID (Nom)	W/H (Nom)	Lead Length (Nom)
()TC100-1R0M-RC	1.0	20	.004	5	.58	.25	.262	.5
()TC100-1R2M-RC	1.2	20	.004	5	.58	.25	.262	.5
()TC100-1R5M-RC	1.5	20	.005	5	.58	.25	.262	.5
()TC100-1R8M-RC	1.8	20	.005	5	.58	.25	.262	.5
()TC100-2R2M-RC	2.2	20	.007	5	.58	.25	.262	.5
()TC100-2R7M-RC	2.7	20	.007	5	.58	.25	.262	.5
()TC100-3R3M-RC	3.3	20	.008	5	.58	.25	.262	.5
()TC100-3R9M-RC	3.9	20	.009	5	.58	.25	.262	.5
()TC100-4R7M-RC	4.7	20	.01	5	.60	.22	.28	.5
()TC100-5R6M-RC	5.6	20	.011	4.5	.60	.22	.28	.5
()TC100-6R8M-RC	6.8	20	.012	4.5	.60	.22	.28	.5
()TC100-8R2M-RC	8.2	20	.013	4.5	.60	.22	.28	.5
()TC100-100M-RC	10	20	.014	4.5	.60	.22	.28	.5
()TC100-120M-RC	12	20	.018	4.0	.60	.22	.28	.5
()TC100-150M-RC	15	20	.02	4.0	.60	.22	.28	.5
()TC100-180M-RC	18	20	.025	3.5	.60	.22	.28	.5
()TC100-220M-RC	22	20	.029	3.5	.60	.22	.28	.5
()TC100-270M-RC	27	20	.035	3.5	.60	.22	.28	.5
()TC100-330M-RC	33	20	.04	2.5	.60	.22	.28	.5
()TC100-390M-RC	39	20	.06	2.5	.60	.22	.28	.5
()TC100-470M-RC	47	20	.095	2.5	.60	.22	.28	.5
()TC100-560M-RC	56	20	.120	2.5	.56	.23	.24	.5
()TC100-680M-RC	68	20	.125	2.0	.56	.23	.24	.5
()TC100-820M-RC	82	20	.200	1.7	.56	.23	.24	.5
()TC100-101M-RC	100	20	.250	1.7	.56	.23	.24	.5
()TC100-121M-RC	120	20	.31	1.5	.56	.23	.24	.5
()TC100-151M-RC	150	20	.42	1.5	.56	.23	.24	.5
()TC100-181M-RC	180	20	.49	1.5	.56	.23	.24	.5
()TC100-221M-RC	220	20	.59	1.0	.56	.23	.24	.5
()TC100-271M-RC	270	20	.64	1.0	.56	.23	.24	.5
()TC100-331M-RC	330	20	.66	.7	.56	.23	.24	.5
()TC100-391M-RC	390	20	.74	.7	.56	.23	.24	.5
()TC100-471M-RC	470	20	.88	.7	.56	.23	.24	.5
()TC100-561M-RC	560	20	.99	.7	.56	.23	.24	.5
()TC100-681M-RC	680	20	1.1	.5	.56	.23	.24	.5
()TC100-821M-RC	820	20	1.3	.5	.56	.23	.24	.5
()TC100-102M-RC	1000	20	1.6	.5	.56	.23	.24	.5

Please specify Vertical or Horizontal Mount by placing a V or H at the beginning of the part number, i.e. VTC100-1R0M (Vertical Mount). All specifications subject to change without notice.

Features

- Pre-tinned Copper Leads
- Vertical and Horizontal Mounting
- Low Cost Construction
- Varnished Windings

Typical Applications Include:

- Switching Power Supplies
- Hash Choke Applications
- EMI/RFI Filtering

Electrical

Inductance: Measured at 1KHz, 0.01V. Rated current may decrease inductance by no more than 10%.

Tolerance: Inductance Tolerance is 20% over the entire range of inductance values. Tighter tolerances available.

Current Rating: Continuous operation at room temperature will not decrease inductance by more than 10%.

Available Options Include:

- Tighter Tolerances
- Custom Inductance Values
- Custom Current Ratings
- Custom P.C. Mounts, Including Surface Mounts