



## U74AHCT1G125

CMOS IC

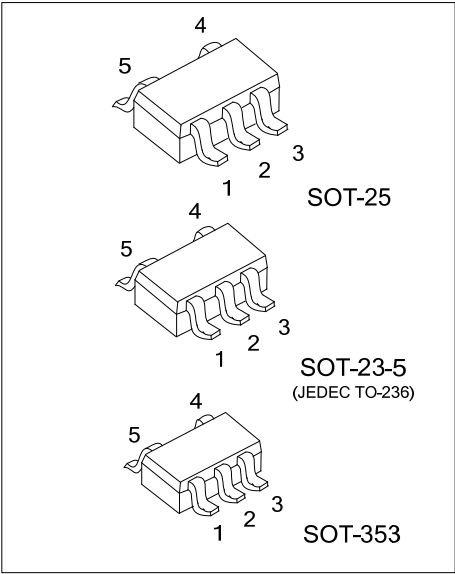
### SINGLE BUS BUFFER GATE WITH 3-STATE OUTPUT

#### DESCRIPTION

The UTC **U74AHCT1G125** is a single bus buffer gate with 3-state output controlled by enable input ( $\overline{OE}$ ). When  $\overline{OE}$  is HIGH, the output is disabled.

#### FEATURES

- \* Operation voltage range: 4.5V ~5.5V
- \* Low Power Current:  $I_{CC}=1\mu A$  (Max.)
- \*  $\pm 8mA$  Output Drive at 5V
- \* Inputs are TTL-Voltage Compatible

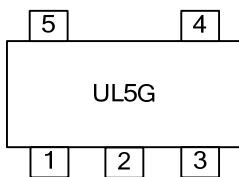


#### ORDERING INFORMATION

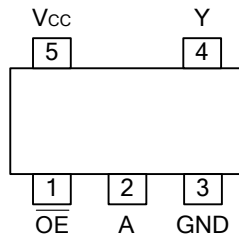
Ordering Number	Package	Packing
U74AHCT1G125G-AE5-R	SOT-23-5	Tape Reel
U74AHCT1G125G-AF5-R	SOT-25	Tape Reel
U74AHCT1G125G-AL5-R	SOT-353	Tape Reel

<p>U74AHCT1G125G-AE5-R</p> <p>(1) Packing Type (2) Package Type (3) Green Package</p>	<p>(1) R: Tape Reel (2) AE5: SOT-23-5, AF5: SOT-25, AL5: SOT-353 (3) G: Halogen Free and Lead Free</p>
-----------------------------------------------------------------------------------------------	----------------------------------------------------------------------------------------------------------------

#### MARKING



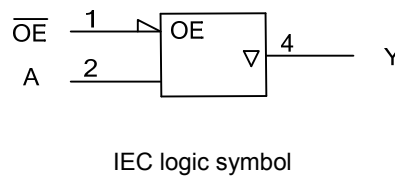
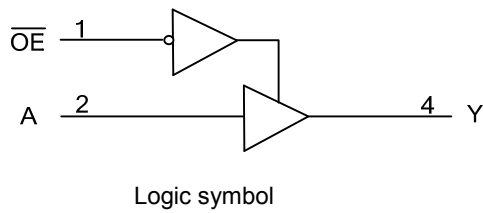
■ PIN CONFIGURATION



■ FUNCTION TABLE (each gate)

INPUT		OUTPUT
$\overline{OE}$	A	Y
L	L	L
L	H	H
H	X	Z

■ LOGIC DIAGRAM (positive logic)



### ■ ABSOLUTE MAXIMUM RATINGS (unless otherwise specified)(Note 2)

PARAMETER	SYMBOL	RATINGS	UNIT
Supply Voltage	$V_{CC}$	-0.5 ~ 7	V
Input Voltage	$V_{IN}$	-0.5 ~ 7	V
Output Voltage	$V_{OUT}$	-0.5 ~ $V_{CC}+0.5$	V
Input Clamp Current	$I_{IK}$	-20	mA
Output Clamp Current	$I_{OK}$	±20	mA
Output Current	$I_{OUT}$	±25	mA
$V_{CC}$ or GND Current	$I_{CC}$	±50	mA
Storage Temperature	$T_{STG}$	-65 ~ +150	°C

Notes: 1. Absolute maximum ratings are those values beyond which the device could be permanently damaged.

Absolute maximum ratings are stress ratings only and functional device operation is not implied.

2. The input and output voltage ratings may be exceeded if the input and output current ratings are observed.

### ■ RECOMMENDED OPERATING COMDITIONS

PARAMETER	SYMBOL	CONDITIONS	MIN	TYP	MAX	UNIT
Supply Voltage	$V_{CC}$		4.5		5.5	V
Input Voltage	$V_{IN}$		0		5.5	V
Output Voltage	$V_{OUT}$		0		$V_{CC}$	V
Input Transition Rise or Fall Rate	$\Delta t/\Delta v$	$V_{CC}=5.0+0.5V$			20	ns/V
Operating Temperature	$T_A$		-40		125	°C

### ■ STATIC CHARACTERISTICS ( $T_A=25^\circ\text{C}$ , unless otherwise specified)

PARAMETER	SYMBOL	TEST CONDITIONS	MIN	TYP	MAX	UNIT	
Input Voltage	High-Level	$V_{IH}$	$V_{CC}=4.5V\sim 5.5V$		2	V	
	Low-Level	$V_{IL}$	$V_{CC}=4.5V\sim 5.5V$			0.8	
Output Voltage	High-Level	$V_{OH}$	$V_{CC}=4.5V$	$I_{OH}=-50\mu A$	4.4	4.5	V
				$I_{OH}=-8mA$	3.94		
	Low-Level	$V_{OL}$	$V_{CC}=4.5V$	$I_{OL}=50\mu A$			0.1
				$I_{OH}=8mA$			0.36
Input Leakage Current	$I_{I(LEAK)}$	$V_{CC}=0V\sim 5.5V, V_{IN}=V_{CC}$ or GND				±0.1	
Output Current, OFF-state	$I_{OZ}$	$V_{CC}=5.5V, V_{OUT}=V_{CC}$ or GND				±0.25	
Quiescent Supply Current	$I_Q$	$V_{CC}=5.5V, V_{IN}=V_{CC}$ or GND, $I_{OUT}=0$				1	
Additional Quiescent Supply Current	$\Delta I_Q$	$V_{CC}=5.5V$ , One input at 3.4V, Other input at $V_{CC}$ or GND				1.35	
Input Capacitance	$C_{IN}$	$V_{CC}=5V, V_{IN}=V_{CC}$ or GND			4	10	
Output Capacitance	$C_{OUT}$	$V_{CC}=5V, V_{OUT}=V_{CC}$ or GND			10		

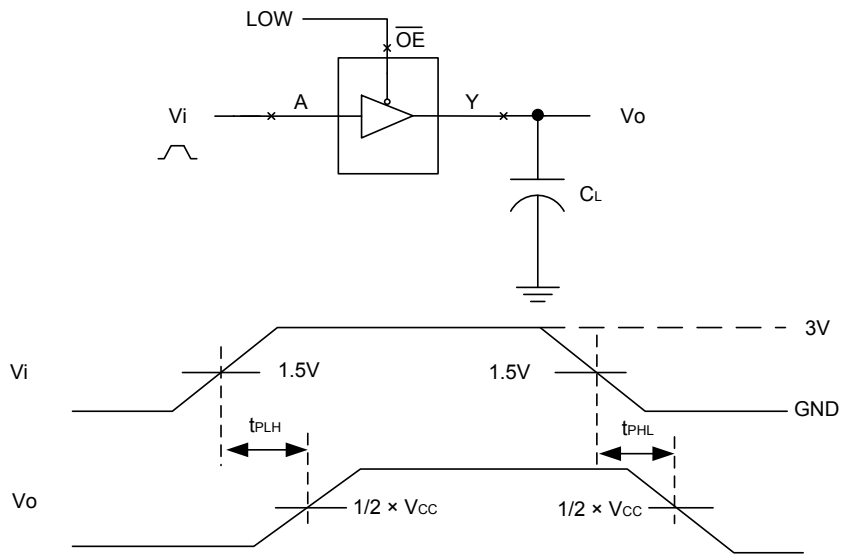
### ■ DYNAMIC CHARACTERISTICS ( $T_A=25^\circ\text{C}$ , Input: $t_R, t_F\leq 3ns$ ; $PRR\leq 1MHz$ )

PARAMETER	SYMBOL	TEST CONDITIONS	MIN	TYP	MAX	UNIT	
Propagation Delay From A to Y	$t_{PLH}$	$C_L=15pF, V_{CC}=5V\pm 0.5V$		3.8	5.5	ns	
	$t_{PHL}$			3.8	5.5		
Turn-On Time $\overline{OE}$ to Y	$t_{PZH}$			3.6	5.1	ns	
	$t_{PZL}$			3.6	5.1		
Turn-Off Time $\overline{OE}$ to Y	$t_{PHZ}$			4.6	6.8	ns	
	$t_{PLZ}$			4.6	6.8		
Propagation Delay From A to Y	$t_{PLH}$		$C_L=50pF, V_{CC}=5V\pm 0.5V$		5.3	7.5	ns
	$t_{PHL}$				5.3	7.5	
Turn-On Time $\overline{OE}$ to Y	$t_{PZH}$			5.1	7.1	ns	
	$t_{PZL}$			5.1	7.1		
Turn-Off Time $\overline{OE}$ to Y	$t_{PHZ}$			6.1	8.8	ns	
	$t_{PLZ}$			6.1	8.8		

■ OPERATING CHARACTERISTICS ( $V_{CC}=5V$ ,  $T_A=25^{\circ}C$ , unless otherwise specified)

PARAMETER	SYMBOL	TEST CONDITIONS	MIN	TYP	MAX	UNIT
Power Dissipation Capacitance	$C_{PD}$	$V_{CC}=5V$ , $f=1MHz$ , No load		14		pF

■ TEST CIRCUIT AND WAVEFORMS



Note:  $C_L$  includes probe and jig capacitance.

Fig-1 Propagation delay from A to Y

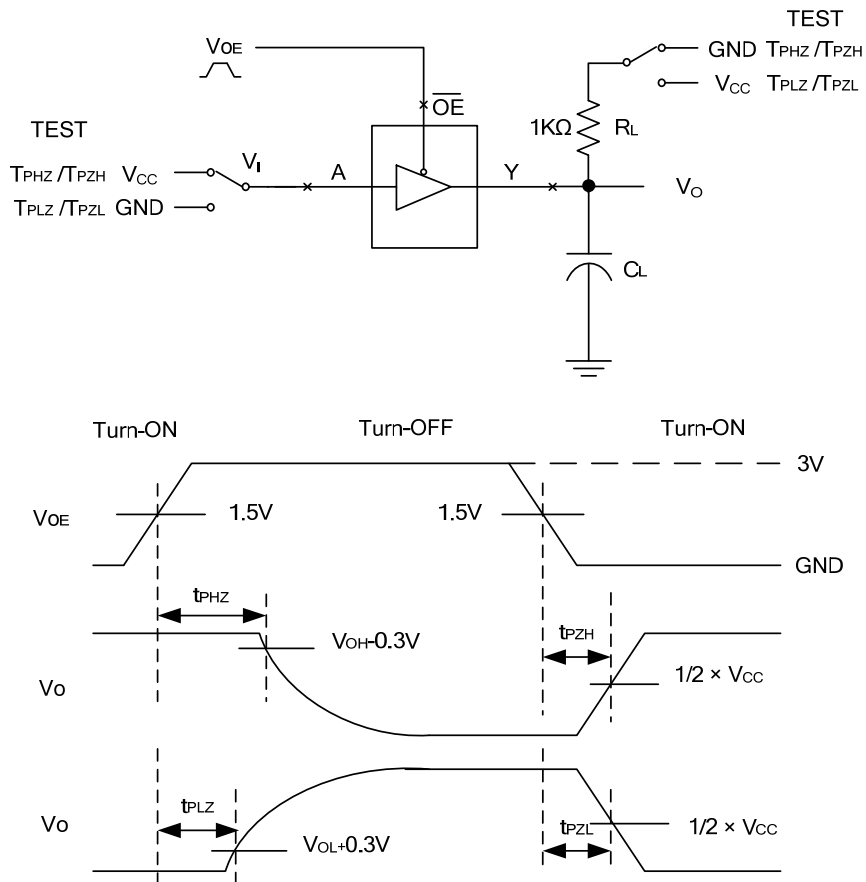


Fig-2 The turn-on and turn-off times.

UTC assumes no responsibility for equipment failures that result from using products at values that exceed, even momentarily, rated values (such as maximum ratings, operating condition ranges, or other parameters) listed in products specifications of any and all UTC products described or contained herein. UTC products are not designed for use in life support appliances, devices or systems where malfunction of these products can be reasonably expected to result in personal injury. Reproduction in whole or in part is prohibited without the prior written consent of the copyright owner. The information presented in this document does not form part of any quotation or contract, is believed to be accurate and reliable and may be changed without notice.