

-----Table of Contents-----

1. DESCRIPTION	1	2.16.18 Scan Mode	219
1.1 Features	1	2.16.19 R, G, B Signal Output Control ...	219
1.2 Applications	1	2.16.20 OSD Reserved Register	220
1.3 Pin Configuration	3	2.17 Programmable I/O Ports	221
1.4 Block Diagram	4		
1.5 Performance Outline	5	3. USAGE PRECAUTION	239
2. OPERATION OF FUNCTIONAL BLOCKS ..	10	3.1 Timer A (timer mode)	239
2.1 Memory	10	3.2 Timer A (event counter mode)	239
2.2 Central Processing Unit (CPU)	16	3.3 Timer A (one-shot timer mode)	239
2.3 Reset	19	3.4 Timer A (pulse width modulation mode)	239
2.4 Single-chip Mode	23	3.5 Timer B (timer mode, event counter mode)	240
2.5 Clock Generating Circuit	27	3.6 Timer B (pulse period/pulse width	
2.6 Protection	35	measurement mode)	240
2.7 Overview of Interrupt	36	3.7 A-D Converter	240
2.8 Watchdog Timer	56	3.8 Stop Mode and Wait Mode	240
2.9 DMAC	58	3.9 Interrupts	241
2.10 Timer	68	3.10 Built-in PROM version	242
2.11 Serial I/O	88	4. ITEM TO BE SUBMITTED WHEN ORDERING	
2.12 A-D Converter	138	MASKED ROM VERSION	243
2.13 D-A Converter	153	5. ELECTRICAL CHARACTERISTICS	244
2.14 Data Slicer	155	5.1 Absolute Maximum Ratings	244
2.15 HSYNC Counter	165	5.2 Recommended Operating Conditions ..	245
2.16 OSD Function	166	5.3 Electrical Characteristics	246
2.16.1 Triple Layer OSD	172	5.4 A-D Conversion Characteristics	247
2.16.2 Display Position	174	5.5 D-A Conversion Characteristics	247
2.16.3 Dot Size	178	5.6 Analog R, G, B Output Characteristics	247
2.16.4 Clock for OSD	179	5.7 Timing Requirements	248
2.16.5 Field Determination Display	180	5.8 Switching Characteristics	250
2.16.6 Memory for OSD	182	6. MASK ROM CONFIRMATION FORM	251
2.16.7 Character Color	195	7. MARK SPECIFICATION FORM	255
2.16.8 Character Background Color	195	8. ONE TIME PROM VERSION	
2.16.9 OUT1, OUT2 Signals	200	M306V5EESP MARKING	256
2.16.10 Attribute	201	9. PACKAGE OUTLINE	257
2.16.11 Automatic Solid Space Function	206		
2.16.12 Particular OSD Mode Block	207		
2.16.13 Multiline Display	209		
2.16.14 SPRITE OSD Function	210		
2.16.15 Window Function	213		
2.16.16 Blank Function	214		
2.16.17 Raster Coloring Function	217		

M306V5ME-XXXSP
M306V5EESP

SINGLE-CHIP 16-BIT CMOS MICROCOMPUTER with CLOSED CAPTION DECODER
and ON-SCREEN DISPLAY CONTROLLER

1.3 Pin Configuration

Figure 1.3.1 shows the pin configuration (top view).

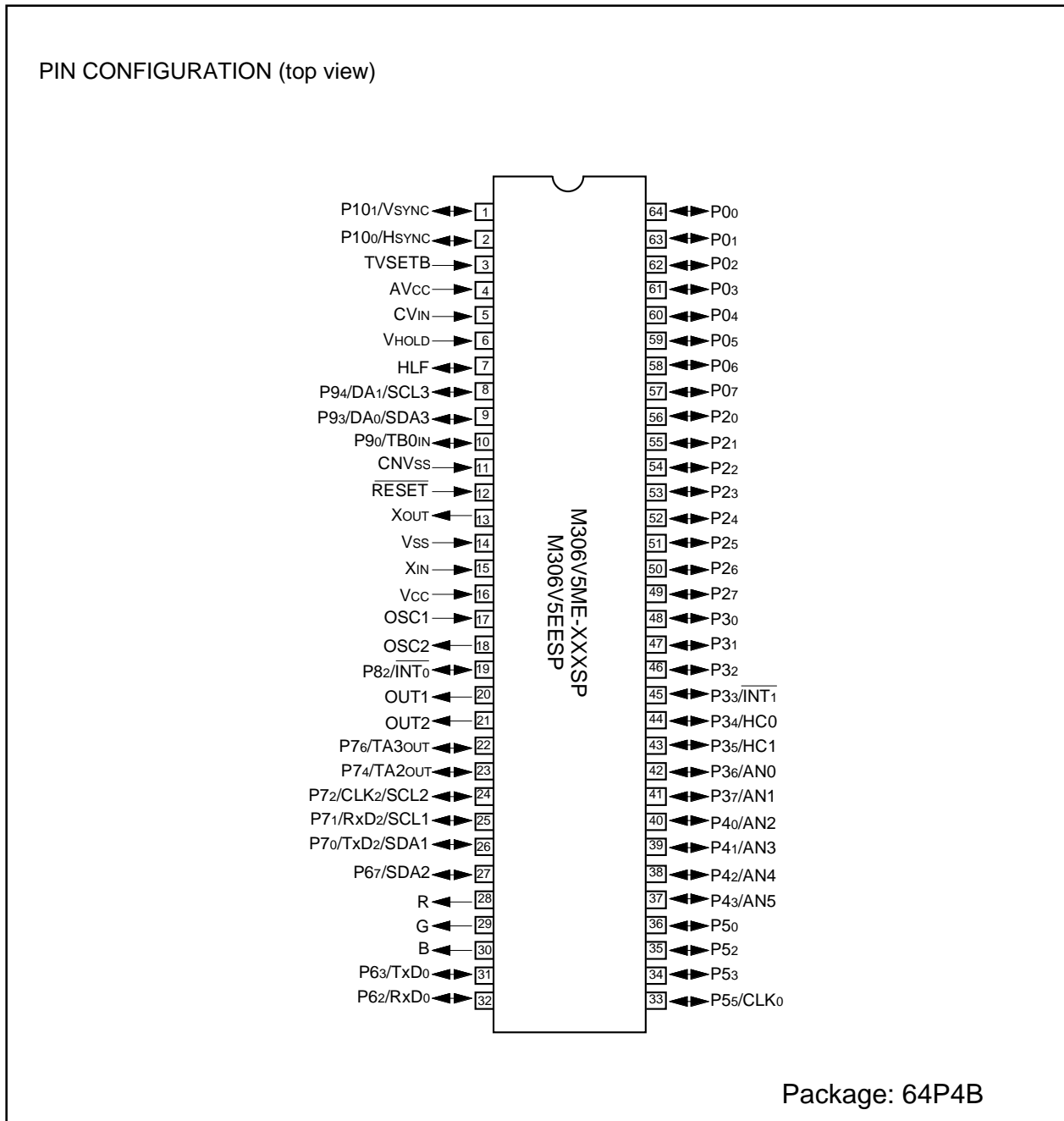


Figure 1.3.1 Pin configuration (top view)

M306V5ME-XXXSP
M306V5EESP

SINGLE-CHIP 16-BIT CMOS MICROCOMPUTER with CLOSED CAPTION DECODER
and ON-SCREEN DISPLAY CONTROLLER

1.4 Block Diagram

Figure 1.4.1 is a block diagram.

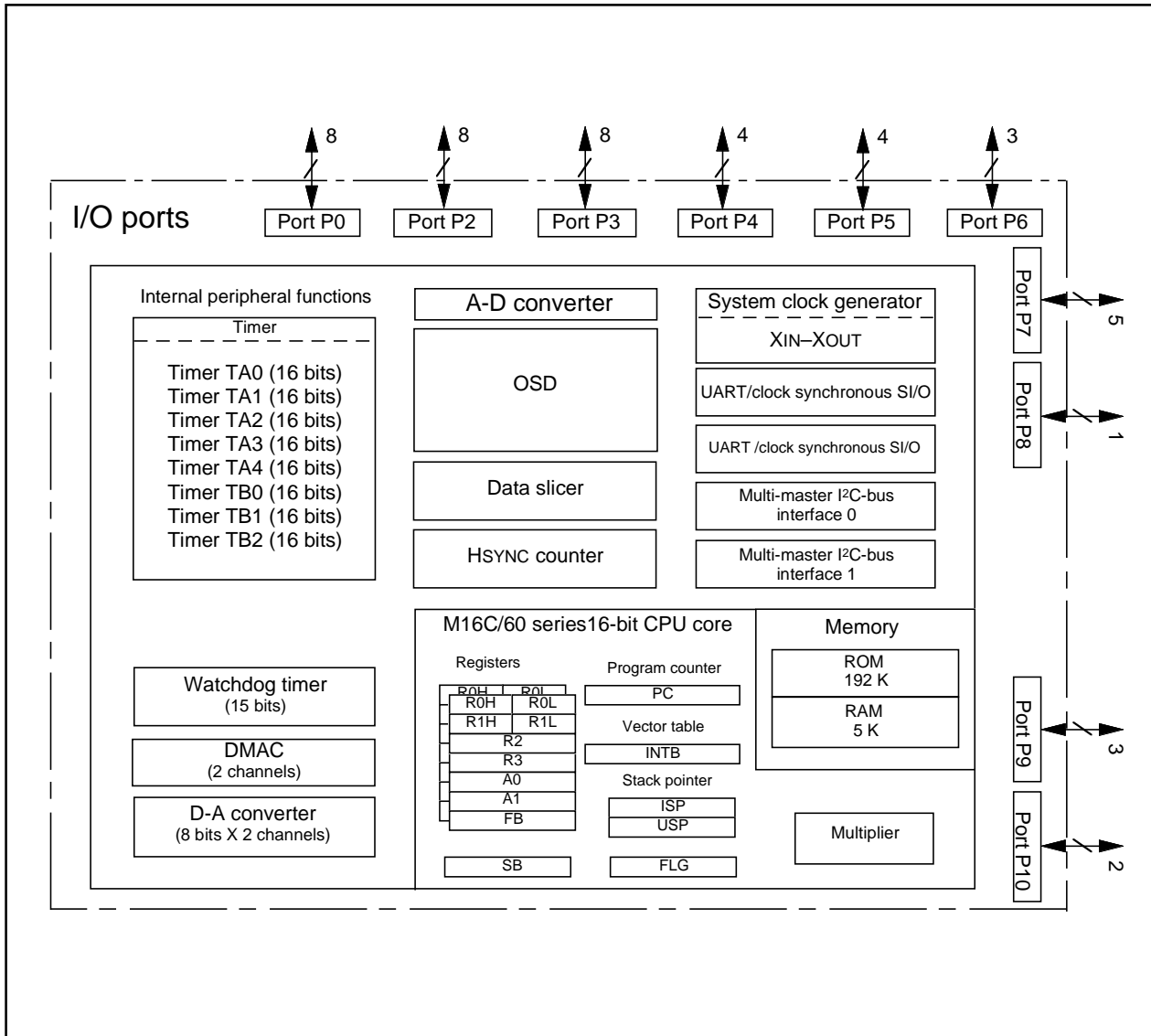


Figure 1.4.1 Block diagram

M306V5ME-XXXSP
M306V5EESP

SINGLE-CHIP 16-BIT CMOS MICROCOMPUTER with CLOSED CAPTION DECODER
and ON-SCREEN DISPLAY CONTROLLER

1.5 Performance Outline

Table 1.5.1 is a performance outline.

Table 1.5.1 Performance outline

Item		Performance
Number of basic instructions		91 instructions
Shortest instruction execution time		100 ns(f(XIN)=10 MHz)
Memory size	ROM	192K bytes
	RAM	5K bytes
	OSD ROM	61K bytes
	OSD RAM	2.2K bytes
I/O port	P0, P2 to P10	8 bits X 3, 5 bits X 1, 4 bits X 2, 3 bits X 2, 2 bits X 1, 1 bit X 1
Multifunction timer	TA0, TA1, TA2, TA3, TA4	16 bits X 5
	TB0, TB1, TB2	16 bits X 3
Serial I/O	UART0	1 unit: UART or clock synchronous
	UART2	1 unit: UART or clock synchronous
	Multi-master I ² C-BUS interface 0	1 unit (2 channels)
	Multi-master I ² C-BUS interface 1	1 unit (1 channels)
A-D converter		8 bits X 6 channels
D-A converter		8 bits X 2 channels
DMAC		2 channels (trigger: 23 sources)
OSD function		Triple layer, 890 kinds of fonts, 42 character X 16 lines
Data slicer		32-bit buffer
HSYNC counter		8 bits X 2 channels
Watchdog timer		15 bits X 1 (with prescaler)
Interrupt		21 internal and 3 external sources, 4 software sources, 7 levels
Clock generating circuit		2 built-in clock generation circuits
Power source voltage		4.5 V to 5.5V (f(XIN) = 10 MHz)
Power consumption		250 mW
I/O characteristics	I/O withstand voltage	5 V
	Output current	5 mA
Operating ambient temperature		-10 °C to 70 °C
Device configuration		CMOS high performance silicon gate
Package		64-pin plastic molded SDIP

M306V5ME-XXXSP
M306V5EESP

SINGLE-CHIP 16-BIT CMOS MICROCOMPUTER with CLOSED CAPTION DECODER
and ON-SCREEN DISPLAY CONTROLLER

Currently supported products are listed below.

Table 1.5.2 List of supported products

Type No	ROM capacity	RAM capacity	Package type	Remarks
M306V5ME-XXXSP	192K bytes	5K bytes	64P4B	Mask ROM version
M306V5EESP	192K bytes	5K bytes	64P4B	One Time PROM version
M306V5EESS	192K bytes	5K bytes	64S1B	EPROM version

Note: Since EPROM version is for development support tool (for evaluation), do not use for mass production.

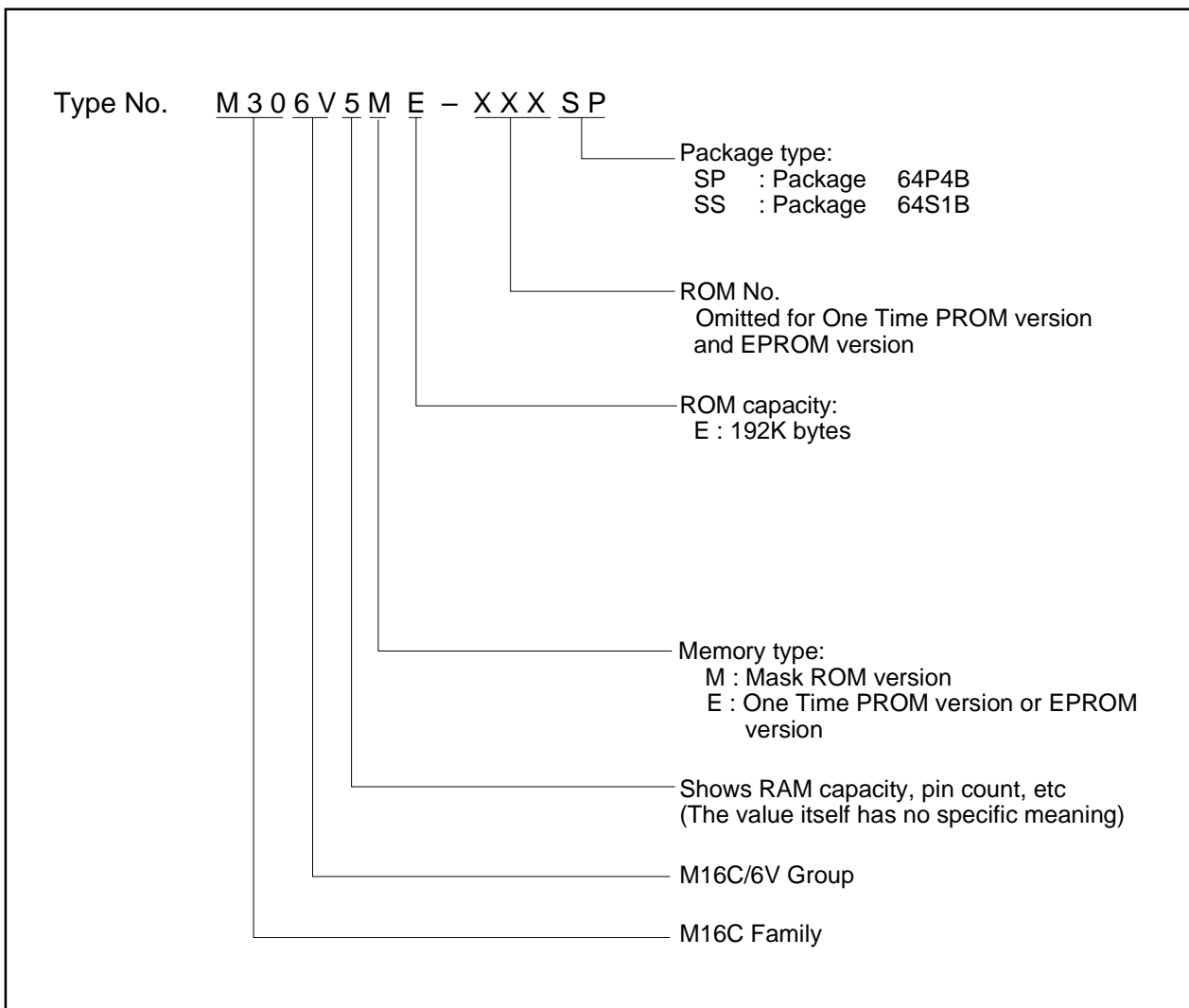


Figure 1.5.1 Type No., memory size, and package

1.5.1 As For M16C/6V (64-Pin Version) Group

M16C/6V (64-pin version) group is packaged in a 64-pin plastic molded SDIP. Note that the number of pins is reduced when it is compared with a 100-pin package product.

- (1) M16C/6V (64-pin version) group supports only the shingle-chip mode. It does not support the memory expansion and the microprocessor modes.
- (2) Be sure to initialize in the sequence below immediately after reset release.
 - ① Set OSD reserved register i ($i = 1$ to 4) to the specified values.
 - ② Set each reserved bit of the port P_i direction register, the port P_i register, and pull-up control register i to the specified values.
 - ③ Set port reserved register i ($i = 1$ to 3) to the specified values.
 - ④ Set other reserved registers and each reserved bit of other registers to the specified values.

M306V5ME-XXXSP

M306V5EESP

SINGLE-CHIP 16-BIT CMOS MICROCOMPUTER with CLOSED CAPTION DECODER
and ON-SCREEN DISPLAY CONTROLLER

Table 1.5.3 Pin description (1)

Pin name	Signal name	I/O type	Function
Vcc, Vss	Power supply input		Supply 4.5 V to 5.5 V to the Vcc pin. Supply 0 V to the Vss pin.
CNVss	CNVss	Input	Connect this pin to the Vss pin.
$\overline{\text{RESET}}$	Reset input	Input	A "L" on this input resets the microcomputer.
XIN XOUT	Clock input Clock output	Input Output	These pins are provided for the main clock generating circuit. Connect a ceramic resonator or crystal between the XIN and the XOUT pins. To use an externally derived clock, input it to the XIN pin and leave the XOUT pin open.
AVcc	Analog power supply input		This pin is a power supply input for the A-D converter. Connect this pin to Vcc.
P00 to P07	I/O port P0	Input/output	This is an 8-bit CMOS I/O port. It has an input/output port direction register that allows the user to set each pin for input or output individually. When set for input, the user can specify in units of four bits via software whether or not they are tied to a pull-up resistor.
P20 to P27	I/O port P2	Input/output	This is an 8-bit I/O port equivalent to P0.
P30 to P37	I/O port P3	Input/output	This is an 8-bit I/O port equivalent to P0. Pins in this port function as external interrupt pin, HSYNC counter I/O pins, and A-D converter input pins as selected by software.
P40 to P43	I/O port P4	Input/output	This is an 8-bit I/O port equivalent to P0. Pins in this port function as A-D converter input pins as selected by software.
P50, P52, P53, P55	I/O port P5	Input/output	This is a 4-bit I/O port equivalent to P0. P57 in this port functions as UART0 I/O pin as selected by software.
P62, P63, P67	I/O port P6	Input/output	This is a 3-bit I/O port equivalent to P0. Pins in this port also function as UART0 and multi-master I ² C-BUS interface 0 I/O pins as selected by software.
P70 to P72, P74, P76	I/O port P7	Input/output	This is a 5-bit I/O port equivalent to P0 (P70 and P71 are N-channel open-drain output). Pins in this port also function as timers A2 and A3, UART2, multi-master I ² C-BUS interface 0 I/O pins as selected by software.
P82	I/O port P8	Input/output	P82 is I/O port with the same functions as P0. P82 can be made to function as the I/O pin for the input pins for external interrupts as selected by software.
P90, P93, P94	I/O port P9	Input/output	This is an 3-bit I/O port equivalent to P0. Pins in this port also function as Timer B0 input pin, D-A converter output pins, and multi-master I ² C-BUS interface 1 I/O pins as selected by software.

Table 1.5.4 Pin description (continued) (2)

Pin name	Signal name	I/O type	Function
P10 ₀ , P10 ₁	I/O port P10	Input/output	This is a 2-bit I/O port equivalent to P0. Pins in this port also function as a input pins for OSD function as selected by software.
R, G, B	OSD output	Output	These are OSD output pins (analog output).
OUT1, OUT2	OSD output	Output	These are OSD output pins (digital output).
OSC1	Clock input for OSD	Input	This is an OSD clock input pin.
OSC2	Clock output for OSD	Output	This is an OSD clock output pin.
CVIN	I/O for data slicer	Input	Input composite video signal through a capacitor.
VHOLD		Input	Connect a capacitor between VHOLD and Vss.
HLF		Input/output	Connect a filter using of a capacitor and a resistor between HLF and Vss.
TVSETB	Test input	Input	This is a test input pin. Fix it to "L."

2. OPERATION OF FUNCTIONAL BLOKS

This microcomputer accommodates certain units in a single chip. These units include ROM and RAM to store instructions and data and the central processing unit (CPU) to execute arithmetic/logic operations. Also included are peripheral units such as timers, serial I/O, D-A converter, DMAC, OSD circuit, data slicer, A-D converter, and I/O ports.

The following explains each unit.

2.1 Memory

Figure 2.1.1 is a memory map. The address space extends the 1M bytes from address 00000₁₆ to FFFFF₁₆. From FFFFF₁₆ down is ROM. There is 192K bytes of internal ROM from D0000₁₆ to FFFFF₁₆. The vector table for fixed interrupts such as the reset mapped to FFFDC₁₆ to FFFFF₁₆. The starting address of the interrupt routine is stored here. The address of the vector table for timer interrupts, etc., can be set as desired using the internal register (INTB). See the section on interrupts for details.

5K bytes of internal RAM is mapped to the space from 02C00₁₆ to 03FFF₁₆. In addition to storing data, the RAM also stores the stack used when calling subroutines and when interrupts are generated.

The SFR area is mapped to 00000₁₆ to 003FF₁₆. This area accommodates the control registers for peripheral devices such as I/O ports, A-D converter, serial I/O, and timers, etc. Figures 2.1.2 to 2.1.5 are location of peripheral unit control registers. Any part of the SFR area that is not occupied is reserved and cannot be used for other purposes.

The special page vector table is mapped to FFE00₁₆ to FFFDB₁₆. If the starting addresses of subroutines or the destination addresses of jumps are stored here, subroutine call instructions and jump instructions can be used as 2-byte instructions, reducing the number of program steps.

M306V5ME-XXXSP
M306V5EESP

SINGLE-CHIP 16-BIT CMOS MICROCOMPUTER with CLOSED CAPTION DECODER
and ON-SCREEN DISPLAY CONTROLLER

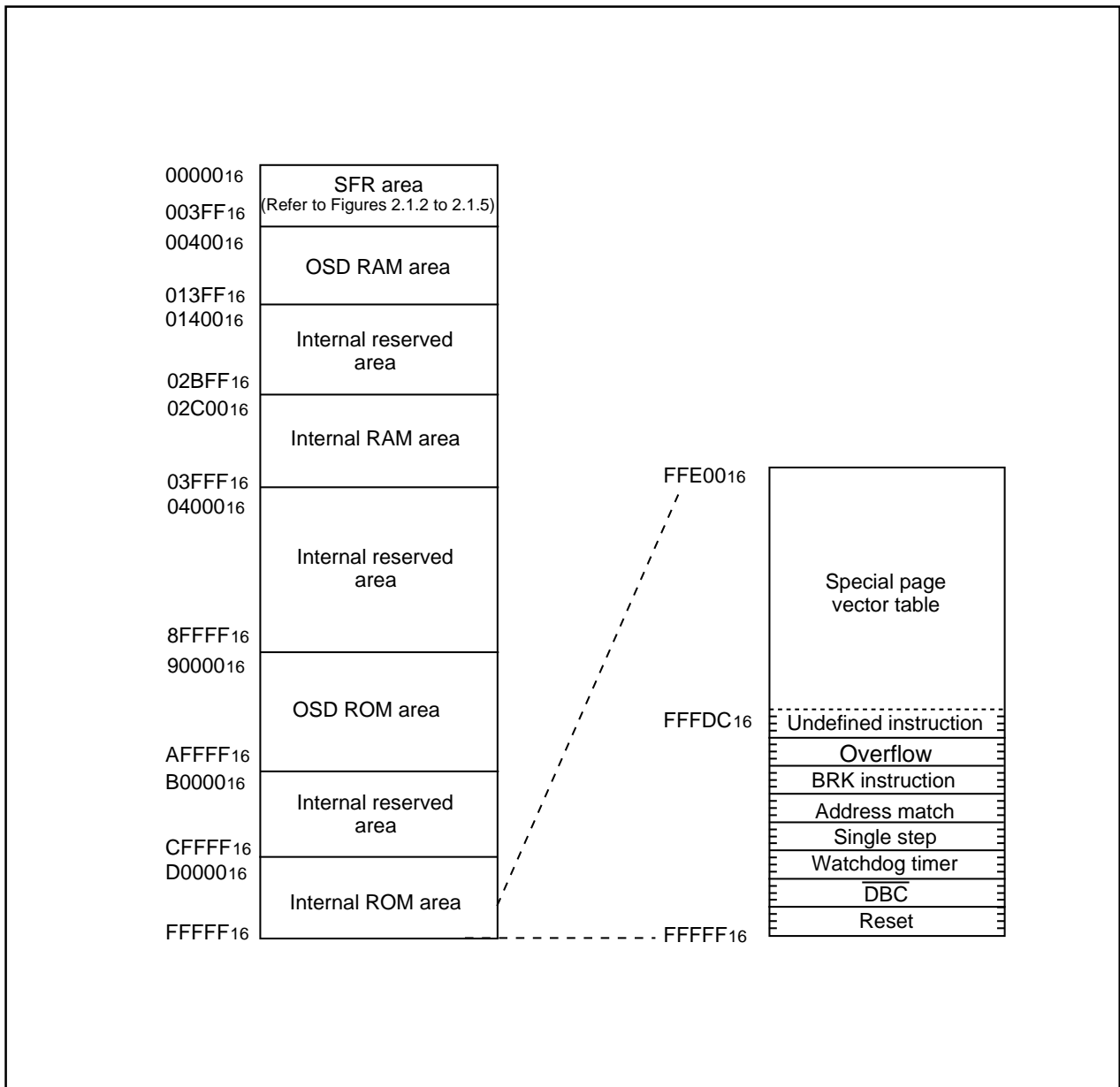


Figure 2.1.1 Memory map

M306V5ME-XXXSP
M306V5EESP

SINGLE-CHIP 16-BIT CMOS MICROCOMPUTER with CLOSED CAPTION DECODER
and ON-SCREEN DISPLAY CONTROLLER

0000 ₁₆		0040 ₁₆	
0001 ₁₆		0041 ₁₆	
0002 ₁₆		0042 ₁₆	
0003 ₁₆		0043 ₁₆	
0004 ₁₆	Processor mode register 0 (PM0)	0044 ₁₆	OSD1 interrupt control register (OSD1IC)
0005 ₁₆	Processor mode register 1 (PM1)	0045 ₁₆	Interrupt control reserved register 0 (RE0IC)
0006 ₁₆	System clock control register 0 (CM0)	0046 ₁₆	Interrupt control reserved register 1 (RE1IC)
0007 ₁₆	System clock control register 1 (CM1)	0047 ₁₆	Interrupt control reserved register 2 (RE2IC)
0008 ₁₆		0048 ₁₆	OSD2 interrupt control register (OSD2IC)
0009 ₁₆	Address match interrupt enable register (AIER)	0049 ₁₆	Multi-master I ² C-BUS interface 1 interrupt control register (IIC1IC)
000A ₁₆	Protect register (PRCR)	004A ₁₆	Bus collision detection interrupt control register (BCNIC)
000B ₁₆		004B ₁₆	DMA0 interrupt control register (DM0IC)
000C ₁₆		004C ₁₆	DMA1 interrupt control register (DM1IC)
000D ₁₆		004D ₁₆	Multi-master I ² C-BUS interface 0 interrupt control register (IIC0IC)
000E ₁₆	Watchdog timer start register (WDTS)	004E ₁₆	A-D conversion interrupt control register (ADIC)
000F ₁₆	Watchdog timer control register (WDC)	004F ₁₆	UART2 transmit interrupt control register (S2TIC)
0010 ₁₆		0050 ₁₆	UART2 receive interrupt control register (S2RIC)
0011 ₁₆	Address match interrupt register 0 (RMAD0)	0051 ₁₆	UART0 transmit interrupt control register (S0TIC)
0012 ₁₆		0052 ₁₆	UART0 receive interrupt control register (S0RIC)
0013 ₁₆		0053 ₁₆	Data slicer interrupt control register (DSIC)
0014 ₁₆		0054 ₁₆	VSYNC interrupt control register (VSYNCIC)
0015 ₁₆	Address match interrupt register 1 (RMAD1)	0055 ₁₆	Timer A0 interrupt control register (TA0IC)
0016 ₁₆		0056 ₁₆	Timer A1 interrupt control register (TA1IC)
0017 ₁₆		0057 ₁₆	Timer A2 interrupt control register (TA2IC)
0018 ₁₆		0058 ₁₆	Timer A3 interrupt control register (TA3IC)
0019 ₁₆		0059 ₁₆	Timer A4 interrupt control register (TA4IC)
001A ₁₆		005A ₁₆	Timer B0 interrupt control register (TB0IC)
001B ₁₆		005B ₁₆	Timer B1 interrupt control register (TB1IC)
001C ₁₆		005C ₁₆	Timer B2 interrupt control register (TB2IC)
001D ₁₆		005D ₁₆	INT0 interrupt control register (INT0IC)
001E ₁₆		005E ₁₆	INT1 interrupt control register (INT1IC)
001F ₁₆		005F ₁₆	Interrupt control reserved register 3 (RE3IC)
0020 ₁₆		0060 ₁₆	
0021 ₁₆	DMA0 source pointer (SAR0)		
0022 ₁₆			
0023 ₁₆			
0024 ₁₆			
0025 ₁₆	DMA0 destination pointer (DAR0)		
0026 ₁₆			
0027 ₁₆			
0028 ₁₆			
0029 ₁₆	DMA0 transfer counter (TCR0)		
002A ₁₆			
002B ₁₆			
002C ₁₆	DMA0 control register (DM0CON)		
002D ₁₆			
002E ₁₆			
002F ₁₆			
0030 ₁₆			
0031 ₁₆	DMA1 source pointer (SAR1)		
0032 ₁₆			
0033 ₁₆			
0034 ₁₆			
0035 ₁₆	DMA1 destination pointer (DAR1)		
0036 ₁₆			
0037 ₁₆			
0038 ₁₆	DMA1 transfer counter (TCR1)		
0039 ₁₆			
003A ₁₆			
003B ₁₆			
003C ₁₆	DMA1 control register (DM1CON)		
003D ₁₆			
003E ₁₆			
003F ₁₆			

Figure 2.1.2 Location of peripheral unit control registers (1)

M306V5ME-XXXSP
M306V5EESP

SINGLE-CHIP 16-BIT CMOS MICROCOMPUTER with CLOSED CAPTION DECODER
and ON-SCREEN DISPLAY CONTROLLER

0200 ₁₆		0240 ₁₆	
0201 ₁₆	SPRITE OSD control register (SC)	0241 ₁₆	Color palette register 1 (CR1)
0202 ₁₆	OSD control register 1 (OC1)	0242 ₁₆	
0203 ₁₆	OSD control register 2 (OC2)	0243 ₁₆	Color palette register 2 (CR2)
0204 ₁₆	Horizontal position register (HP)	0244 ₁₆	
0205 ₁₆	Clock control register (CS)	0245 ₁₆	Color palette register 3 (CR3)
0206 ₁₆	I/O polarity control register (PC)	0246 ₁₆	
0207 ₁₆	OSD control register 3 (OC3)	0247 ₁₆	Color palette register 4 (CR4)
0208 ₁₆		0248 ₁₆	
0209 ₁₆	Raster color register (RSC)	0249 ₁₆	Color palette register 5 (CR5)
020A ₁₆		024A ₁₆	
020B ₁₆		024B ₁₆	Color palette register 6 (CR6)
020C ₁₆		024C ₁₆	
020D ₁₆	Top border control register (TBR)	024D ₁₆	Color palette register 7 (CR7)
020E ₁₆		024E ₁₆	
020F ₁₆	Bottom border control register (BBR)	024F ₁₆	Color palette register 9 (CR9)
0210 ₁₆	Block control register 1 (BC1)	0250 ₁₆	Color palette register 10 (CR10)
0211 ₁₆	Block control register 2 (BC2)	0251 ₁₆	
0212 ₁₆	Block control register 3 (BC3)	0252 ₁₆	Color palette register 11 (CR11)
0213 ₁₆	Block control register 4 (BC4)	0253 ₁₆	
0214 ₁₆	Block control register 5 (BC5)	0254 ₁₆	Color palette register 12 (CR12)
0215 ₁₆	Block control register 6 (BC6)	0255 ₁₆	
0216 ₁₆	Block control register 7 (BC7)	0256 ₁₆	Color palette register 13 (CR13)
0217 ₁₆	Block control register 8 (BC8)	0257 ₁₆	
0218 ₁₆	Block control register 9 (BC9)	0258 ₁₆	Color palette register 14 (CR14)
0219 ₁₆	Block control register 10 (BC10)	0259 ₁₆	
021A ₁₆	Block control register 11 (BC11)	025A ₁₆	Color palette register 15 (CR15)
021B ₁₆	Block control register 12 (BC12)	025B ₁₆	
021C ₁₆	Block control register 13 (BC13)	025C ₁₆	
021D ₁₆	Block control register 14 (BC14)	025D ₁₆	OSD reserved register 1 (OR1)
021E ₁₆	Block control register 15 (BC15)	025E ₁₆	
021F ₁₆	Block control register 16 (BC16)	025F ₁₆	OSD control register 4 (OC4)
0220 ₁₆		0260 ₁₆	Data slicer control register 1 (DSC1)
0221 ₁₆	Vertical position register 1 (VP1)	0261 ₁₆	Data slicer control register 2 (DSC2)
0222 ₁₆		0262 ₁₆	Caption data register 1 (CD1)
0223 ₁₆	Vertical position register 2 (VP2)	0263 ₁₆	
0224 ₁₆		0264 ₁₆	Caption data register 2 (CD2)
0225 ₁₆	Vertical position register 3 (VP3)	0265 ₁₆	
0226 ₁₆		0266 ₁₆	Caption position register (CPS)
0227 ₁₆	Vertical position register 4 (VP4)	0267 ₁₆	Data slicer reserved register 2 (DR2)
0228 ₁₆		0268 ₁₆	Data slicer reserved register 1 (DR1)
0229 ₁₆	Vertical position register 5 (VP5)	0269 ₁₆	Clock run-in detect register (CRD)
022A ₁₆		026A ₁₆	Data clock position register (DPS)
022B ₁₆	Vertical position register 6 (VP6)	026B ₁₆	
022C ₁₆		026F ₁₆	≈≈
022D ₁₆	Vertical position register 7 (VP7)	0270 ₁₆	Left border control register (LBR)
022E ₁₆		0271 ₁₆	
022F ₁₆	Vertical position register 8 (VP8)	0272 ₁₆	Right border control register (RBR)
0230 ₁₆		0273 ₁₆	
0231 ₁₆	Vertical position register 9 (VP9)	0274 ₁₆	SPRITE vertical position register 1 (VS1)
0232 ₁₆		0275 ₁₆	
0233 ₁₆	Vertical position register 10 (VP10)	0276 ₁₆	SPRITE vertical position register 2 (VS2)
0234 ₁₆		0277 ₁₆	
0235 ₁₆	Vertical position register 11 (VP11)	0278 ₁₆	SPRITE horizontal position register (HS)
0236 ₁₆		0279 ₁₆	
0237 ₁₆	Vertical position register 12 (VP12)	027A ₁₆	OSD reserved register 4 (OR4)
0238 ₁₆		027B ₁₆	OSD reserved register 3 (OR3)
0239 ₁₆	Vertical position register 13 (VP13)	027C ₁₆	OSD reserved register 2 (OR2)
023A ₁₆		027D ₁₆	Peripheral mode register (PM)
023B ₁₆	Vertical position register 14 (VP14)	027E ₁₆	HSYNC counter register (HC)
023C ₁₆		027F ₁₆	HSYNC counter latch
023D ₁₆	Vertical position register 15 (VP15)	0280 ₁₆	
023E ₁₆		02DF ₁₆	≈≈
023F ₁₆	Vertical position register 16 (VP16)		

Figure 2.1.3 Location of peripheral unit control registers (2)

M306V5ME-XXXSP
M306V5EESP

SINGLE-CHIP 16-BIT CMOS MICROCOMPUTER with CLOSED CAPTION DECODER
and ON-SCREEN DISPLAY CONTROLLER

02E0 ₁₆	I ² C0 data shift register (IIC0S0)	0380 ₁₆	Count start flag (TABSR)
02E1 ₁₆	I ² C0 address register (IIC0S0D)	0381 ₁₆	Reserved register 6 (INVC6)
02E2 ₁₆	I ² C0 status register (IIC0S1)	0382 ₁₆	One-shot start flag (ONSF)
02E3 ₁₆	I ² C0 control register (IIC0S1D)	0383 ₁₆	Trigger select register (TRGSR)
02E4 ₁₆	I ² C0 clock control register (IIC0S2)	0384 ₁₆	Up-down flag (UDF)
02E5 ₁₆	I ² C0 port selection register (IIC0S2D)	0385 ₁₆	
02E6 ₁₆	I ² C0 transmit buffer register (IIC0S0S)	0386 ₁₆	
02E7 ₁₆		0387 ₁₆	Timer A0 register (TA0)
02E8 ₁₆	I ² C1 data shift register (IIC1S0)	0388 ₁₆	
02E9 ₁₆	I ² C1 address register (IIC1S0D)	0389 ₁₆	Timer A1 register (TA1)
02EA ₁₆	I ² C1 status register (IIC1S1)	038A ₁₆	
02EB ₁₆	I ² C1 control register (IIC1S1D)	038B ₁₆	Timer A2 register (TA2)
02EC ₁₆	I ² C1 clock control register (IIC1S2)	038C ₁₆	
02ED ₁₆	I ² C1 port selection register (IIC1S2D)	038D ₁₆	Timer A3 register (TA3)
02EE ₁₆	I ² C1 transmit buffer register (IIC1S0S)	038E ₁₆	
02EF ₁₆		038F ₁₆	Timer A4 register (TA4)
	≈	0390 ₁₆	
		0391 ₁₆	Timer B0 register (TB0)
0339 ₁₆		0392 ₁₆	
0340 ₁₆	Reserved register 1 (INVC1)	0393 ₁₆	Timer B1 register (TB1)
0341 ₁₆		0394 ₁₆	
0342 ₁₆		0395 ₁₆	Timer B2 register (TB2)
0343 ₁₆		0396 ₁₆	
0344 ₁₆		0397 ₁₆	Timer A0 mode register (TA0MR)
0345 ₁₆		0398 ₁₆	Timer A1 mode register (TA1MR)
0346 ₁₆		0399 ₁₆	Timer A2 mode register (TA2MR)
0347 ₁₆		0399 ₁₆	Timer A3 mode register (TA3MR)
0348 ₁₆	Reserved register 0 (INVC0)	039A ₁₆	Timer A4 mode register (TA4MR)
0349 ₁₆		039B ₁₆	Timer B0 mode register (TB0MR)
	≈	039C ₁₆	Timer B1 mode register (TB1MR)
		039D ₁₆	Timer B2 mode register (TB2MR)
035E ₁₆		039E ₁₆	
035F ₁₆	Interrupt request cause select register (IFSR)	039F ₁₆	
0360 ₁₆		03A0 ₁₆	UART0 transmit/receive mode register (U0MR)
0361 ₁₆		03A1 ₁₆	UART0 bit rate generator (U0BRG)
0362 ₁₆	Reserved register 3 (INVC3)	03A2 ₁₆	
0363 ₁₆		03A3 ₁₆	UART0 transmit buffer register (U0TB)
0364 ₁₆		03A4 ₁₆	UART0 transmit/receive control register 0 (U0C0)
0365 ₁₆		03A5 ₁₆	UART0 transmit/receive control register 1 (U0C1)
0366 ₁₆	Reserved register 4 (INVC4)	03A6 ₁₆	
0367 ₁₆		03A7 ₁₆	UART0 receive buffer register (U0RB)
0368 ₁₆		03A8 ₁₆	Reserved register 2 (INVC2)
0369 ₁₆		03A9 ₁₆	
036A ₁₆		03AA ₁₆	
036B ₁₆		03AB ₁₆	
036C ₁₆		03AC ₁₆	
036D ₁₆		03AD ₁₆	
036E ₁₆		03AE ₁₆	
036F ₁₆		03AF ₁₆	
0370 ₁₆		03B0 ₁₆	UART transmit/receive control register 2 (UCON)
0371 ₁₆		03B1 ₁₆	
0372 ₁₆		03B2 ₁₆	
0373 ₁₆		03B3 ₁₆	
0374 ₁₆		03B4 ₁₆	
0375 ₁₆		03B5 ₁₆	
0376 ₁₆	Reserved register 5 (INVC5)	03B6 ₁₆	
0377 ₁₆	UART2 special mode register (U2SMR)	03B7 ₁₆	
0378 ₁₆	UART2 transmit/receive mode register (U2MR)	03B8 ₁₆	DMA0 request cause select register (DM0SL)
0379 ₁₆	UART2 bit rate generator (U2BRG)	03B9 ₁₆	
037A ₁₆		03BA ₁₆	DMA1 request cause select register (DM1SL)
037B ₁₆	UART2 transmit buffer register (U2TB)	03BB ₁₆	
037C ₁₆	UART2 transmit/receive control register 0 (U2C0)	03BC ₁₆	
037D ₁₆	UART2 transmit/receive control register 1 (U2C1)	03BD ₁₆	
037E ₁₆		03BE ₁₆	
037F ₁₆	UART2 receive buffer register (U2RB)	03BF ₁₆	

Figure 2.1.4 Location of peripheral unit control registers (3)

M306V5ME-XXXSP

M306V5EESP

SINGLE-CHIP 16-BIT CMOS MICROCOMPUTER with CLOSED CAPTION DECODER
and ON-SCREEN DISPLAY CONTROLLER

03C0 ₁₆	
03C1 ₁₆	
03C2 ₁₆	
03C3 ₁₆	
03C4 ₁₆	A-D register 0 (AD0)
03C5 ₁₆	
03C6 ₁₆	A-D register 1 (AD1)
03C7 ₁₆	
03C8 ₁₆	A-D register 2 (AD2)
03C9 ₁₆	
03CA ₁₆	A-D register 3 (AD3)
03CB ₁₆	
03CC ₁₆	A-D register 4 (AD4)
03CD ₁₆	
03CE ₁₆	A-D register 5 (AD5)
03CF ₁₆	
03D0 ₁₆	
03D1 ₁₆	
03D2 ₁₆	
03D3 ₁₆	
03D4 ₁₆	A-D control register 2 (ADCON2)
03D5 ₁₆	
03D6 ₁₆	A-D control register 0 (ADCON0)
03D7 ₁₆	A-D control register 1 (ADCON1)
03D8 ₁₆	D-A register 0 (DA0)
03D9 ₁₆	
03DA ₁₆	D-A register 1 (DA1)
03DB ₁₆	
03DC ₁₆	D-A control register (DACON)
03DD ₁₆	
03DE ₁₆	
03DF ₁₆	
03E0 ₁₆	Port P0 register (P0)
03E1 ₁₆	Port reserved register 1 (PR1)
03E2 ₁₆	Port P0 direction register (PD0)
03E3 ₁₆	Port reserved register 2 (PR2)
03E4 ₁₆	Port P2 register (P2)
03E5 ₁₆	Port P3 register (P3)
03E6 ₁₆	Port P2 direction register (PD2)
03E7 ₁₆	Port P3 direction register (PD3)
03E8 ₁₆	Port P4 register (P4)
03E9 ₁₆	Port P5 register (P5)
03EA ₁₆	Port P4 direction register (PD4)
03EB ₁₆	Port P5 direction register (PD5)
03EC ₁₆	Port P6 register (P6)
03ED ₁₆	Port P7 register (P7)
03EE ₁₆	Port P6 direction register (PD6)
03EF ₁₆	Port P7 direction register (PD7)
03F0 ₁₆	Port P8 register (P8)
03F1 ₁₆	Port P9 register (P9)
03F2 ₁₆	Port P8 direction register (PD8)
03F3 ₁₆	Port P9 direction register (PD9)
03F4 ₁₆	Port P10 register (P10)
03F5 ₁₆	
03F6 ₁₆	Port P10 direction register (PD10)
03F7 ₁₆	
03F8 ₁₆	
03F9 ₁₆	
03FA ₁₆	
03FB ₁₆	
03FC ₁₆	Pull-up control register 0 (PUR0)
03FD ₁₆	Pull-up control register 1 (PUR1)
03FE ₁₆	Pull-up control register 2 (PUR2)
03FF ₁₆	Port reserved register 3 (PR3)

Figure 2.1.5 Location of peripheral unit control registers (4)

M306V5ME-XXXSP
M306V5EESP

SINGLE-CHIP 16-BIT CMOS MICROCOMPUTER with CLOSED CAPTION DECODER
and ON-SCREEN DISPLAY CONTROLLER

2.2 Central Processing Unit (CPU)

The CPU has a total of 13 registers shown in Figure 2.2.1. Seven of these registers (R0, R1, R2, R3, A0, A1, and FB) come in two sets; therefore, these have two register banks.

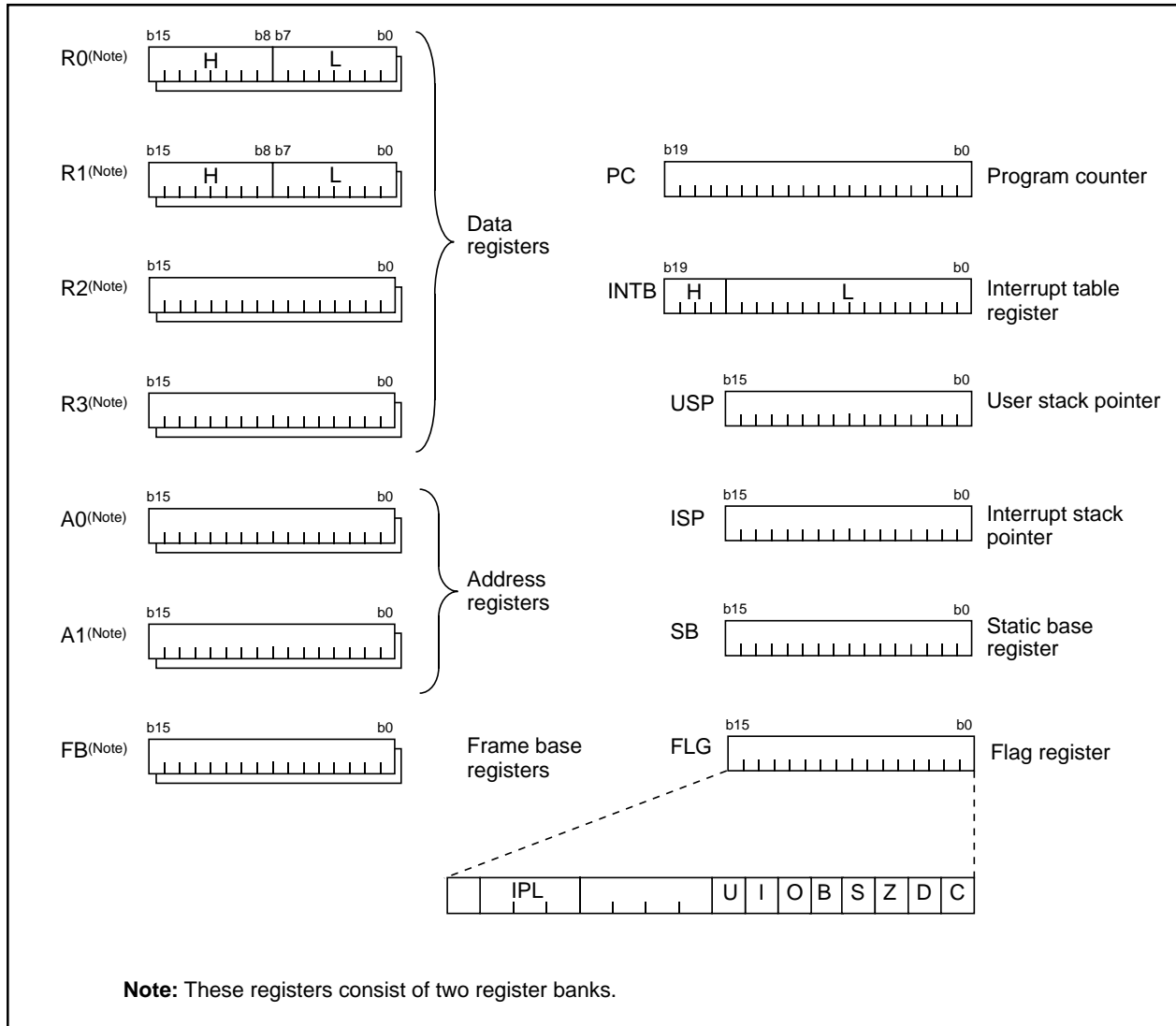


Figure 2.2.1 Central processing unit register

2.2.1 Data Registers (R0, R0H, R0L, R1, R1H, R1L, R2, and R3)

Data registers (R0, R1, R2, and R3) are configured with 16 bits, and are used primarily for transfer and arithmetic/logic operations.

Registers R0 and R1 each can be used as separate 8-bit data registers, high-order bits as (R0H/R1H), and low-order bits as (R0L/R1L). In some instructions, registers R2 and R0, as well as R3 and R1 can use as 32-bit data registers (R2R0/R3R1).

2.2.2 Address Registers (A0 and A1)

Address registers (A0 and A1) are configured with 16 bits, and have functions equivalent to those of data registers. These registers can also be used for address register indirect addressing and address register relative addressing.

In some instructions, registers A1 and A0 can be combined for use as a 32-bit address register (A1A0).

2.2.3 Frame Base Register (FB)

Frame base register (FB) is configured with 16 bits, and is used for FB relative addressing.

2.2.4 Program Counter (PC)

Program counter (PC) is configured with 20 bits, indicating the address of an instruction to be executed.

2.2.5 Interrupt Table Register (INTB)

Interrupt table register (INTB) is configured with 20 bits, indicating the start address of an interrupt vector table.

2.2.6 Stack Pointer (USP/ISP)

Stack pointer comes in two types: user stack pointer (USP) and interrupt stack pointer (ISP), each configured with 16 bits.

Your desired type of stack pointer (USP or ISP) can be selected by a stack pointer select flag (U flag).

This flag is located at the position of bit 7 in the flag register (FLG).

2.2.7 Static Base Register (SB)

Static base register (SB) is configured with 16 bits, and is used for SB relative addressing.

2.2.8 Flag Register (FLG)

Flag register (FLG) is configured with 11 bits, each bit is used as a flag. Figure 2.2.2 shows the flag register (FLG). The following explains the function of each flag:

- **Bit 0: Carry flag (C flag)**

This flag retains a carry, borrow, or shift-out bit that has occurred in the arithmetic/logic unit.

- **Bit 1: Debug flag (D flag)**

This flag enables a single-step interrupt.

When this flag is "1", a single-step interrupt is generated after instruction execution. This flag is cleared to "0" when the interrupt is acknowledged.

- **Bit 2: Zero flag (Z flag)**

This flag is set to "1" when an arithmetic operation resulted in 0; otherwise, cleared to "0".

- **Bit 3: Sign flag (S flag)**

This flag is set to "1" when an arithmetic operation resulted in a negative value; otherwise, cleared to "0".

- **Bit 4: Register bank select flag (B flag)**

This flag chooses a register bank. Register bank 0 is selected when this flag is "0"; register bank 1 is selected when this flag is "1".

M306V5ME-XXXSP
M306V5EESP

SINGLE-CHIP 16-BIT CMOS MICROCOMPUTER with CLOSED CAPTION DECODER
and ON-SCREEN DISPLAY CONTROLLER

• **Bit 5: Overflow flag (O flag)**

This flag is set to “1” when an arithmetic operation resulted in overflow; otherwise, cleared to “0”.

• **Bit 6: Interrupt enable flag (I flag)**

This flag enables a maskable interrupt.

An interrupt is disabled when this flag is “0”, and is enabled when this flag is “1”. This flag is cleared to “0” when the interrupt is acknowledged.

• **Bit 7: Stack pointer select flag (U flag)**

Interrupt stack pointer (ISP) is selected when this flag is “0” ; user stack pointer (USP) is selected when this flag is “1”.

This flag is cleared to “0” when a hardware interrupt is acknowledged or an INT instruction of software interrupt Nos. 0 to 31 is executed.

• **Bits 8 to 11: Reserved area**

• **Bits 12 to 14: Processor interrupt priority level (IPL)**

Processor interrupt priority level (IPL) is configured with three bits, for specification of up to eight processor interrupt priority levels from level 0 to level 7.

If a requested interrupt has priority greater than the processor interrupt priority level (IPL), the interrupt is enabled.

• **Bit 15: Reserved area**

The C, Z, S, and O flags are changed when instructions are executed. See the software manual for details.

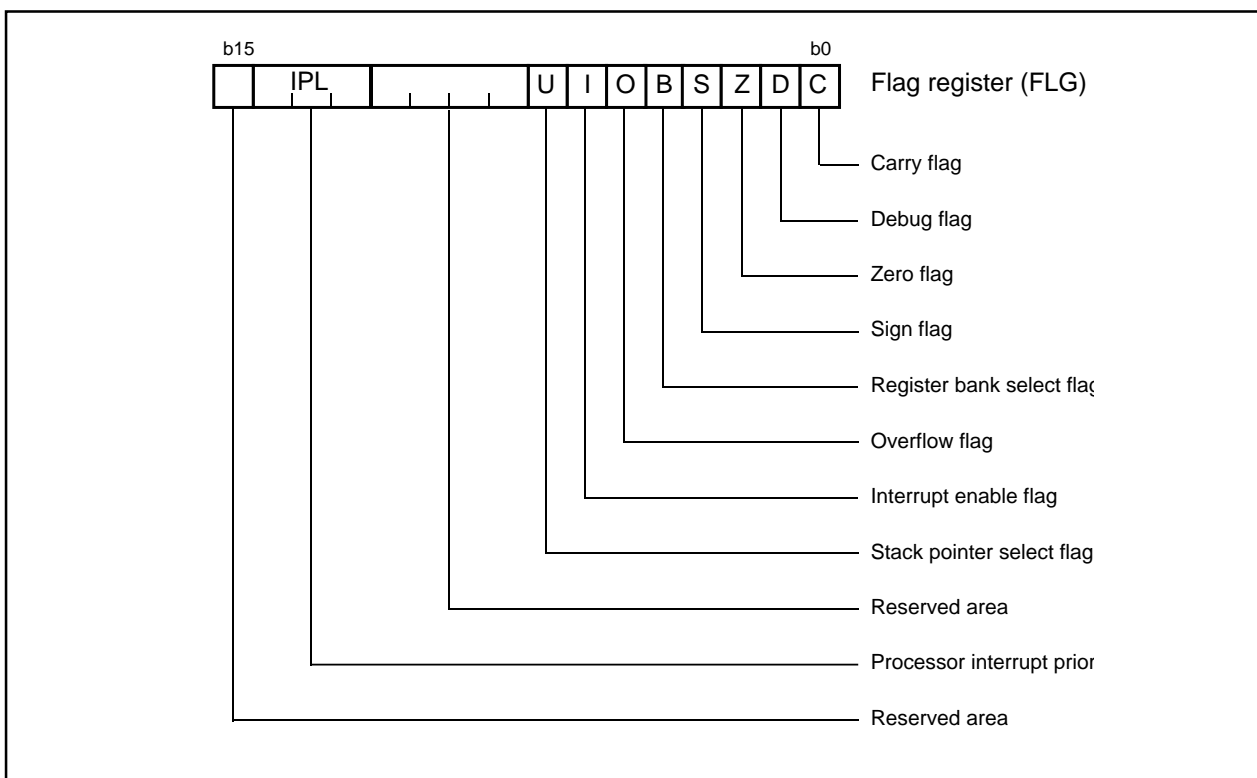


Figure 2.2.2 Flag register (FLG)

M306V5ME-XXXSP
M306V5EESP

SINGLE-CHIP 16-BIT CMOS MICROCOMPUTER with CLOSED CAPTION DECODER
and ON-SCREEN DISPLAY CONTROLLER

2.3 Reset

There are two kinds of resets; hardware and software. In both cases, operation is the same after the reset. (See "Software Reset" for details of software resets.) This section explains on hardware resets.

When the supply voltage is in the range where operation is guaranteed, a reset is effected by holding the reset pin level "L" (0.2V_{CC} max.) for at least 20 cycles. When the reset pin level is then returned to the "H" level while main clock is stable, the reset status is cancelled and program execution resumes from the address in the reset vector table.

Figure 2.3.1 shows the example reset circuit. Figure 2.3.2 shows the reset sequence.

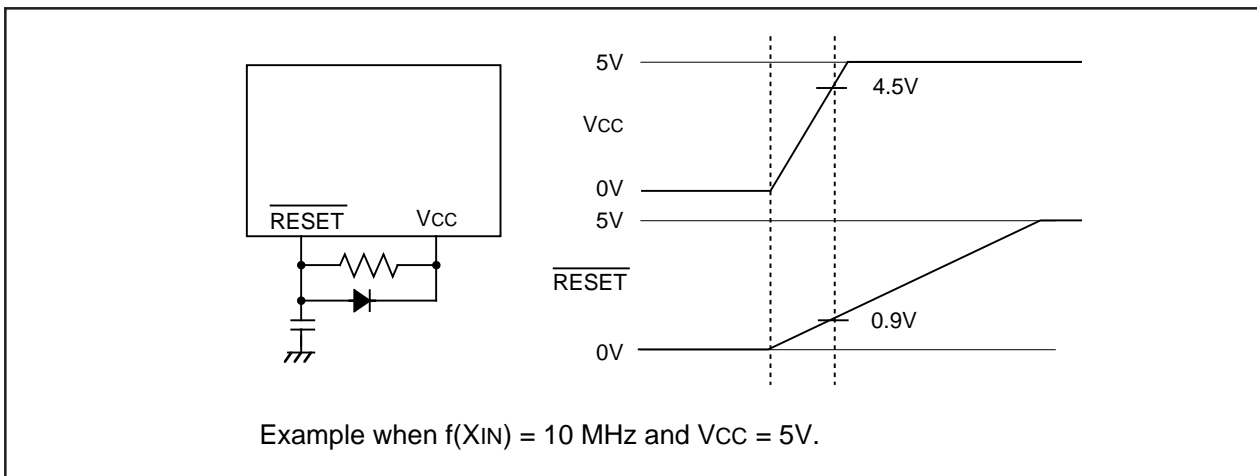


Figure 2.3.1 Example reset circuit

2.3.1 Software Reset

Writing "1" to bit 3 of the processor mode register 0 (address 000416) applies a (software) reset to the microcomputer. A software reset has almost the same effect as a hardware reset. The contents of internal RAM are preserved.

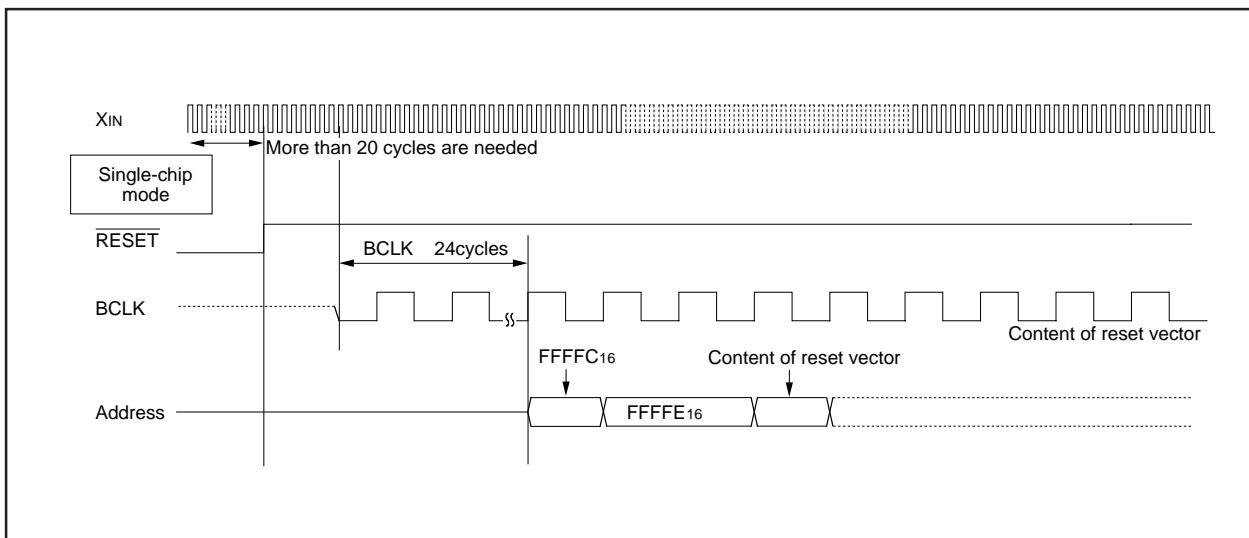


Figure 2.3.2 Reset sequence

M306V5ME-XXXSP
M306V5EESP

SINGLE-CHIP 16-BIT CMOS MICROCOMPUTER with CLOSED CAPTION DECODER
and ON-SCREEN DISPLAY CONTROLLER

2.3.2 Pin Status When $\overline{\text{RESET}}$ Pin Level is “L”

Table 2.3.1 shows the statuses of the other pins while the $\overline{\text{RESET}}$ pin level is “L”. Figures 2.3.3 and 2.3.4 show the internal status of the microcomputer immediately after the reset is cancelled.

Table 2.3.1 Pin status when $\overline{\text{RESET}}$ pin level is “L”

Pin name	Status
	CV _{VSS} = V _{SS}
P0, P2, P3, P40 to P43, P50, P52, P53, P55, P62, P63, P67, P70 to P72, P74, P76, P82, P90, P93, P94, P100, P101	Input port (floating)
R, G, B, OUT1,OUT2	Output port
CV _{IN} , V _{HOLD} , HLF	Input/output port
OSC1	Input port
OSC2	Output port

M306V5ME-XXXSP
M306V5EESP

SINGLE-CHIP 16-BIT CMOS MICROCOMPUTER with CLOSED CAPTION DECODER
and ON-SCREEN DISPLAY CONTROLLER

Processor mode register 0 (Note)	(0004 ₁₆)...	00 ₁₆	Timer B0 interrupt control register	(005A ₁₆)...	XXXXXXXX?000
Processor mode register 1	(0005 ₁₆)...	00000X00	Timer B1 interrupt control register	(005B ₁₆)...	XXXXXXXX?000
System clock control register 0	(0006 ₁₆)...	48 ₁₆	Timer B2 interrupt control register	(005C ₁₆)...	XXXXXXXX?000
System clock control register 1	(0007 ₁₆)...	20 ₁₆	INT0 interrupt control register	(005D ₁₆)...	XX00?000
Address match interrupt enable register	(0009 ₁₆)...	XXXXXXXX00	INT1 interrupt control register	(005E ₁₆)...	XX00?000
Protect register	(000A ₁₆)...	XXXXXXXX00	SPRITE OSD control register	(0201 ₁₆)...	XXXXXXXX0000
Watchdog timer control register	(000F ₁₆)...	000? ?? ? ?	OSD control register 1	(0202 ₁₆)...	00 ₁₆
Address match interrupt register 0	(0010 ₁₆)...	00 ₁₆	OSD control register 2	(0203 ₁₆)...	00 ₁₆
	(0011 ₁₆)...	00 ₁₆	Horizontal position register	(0204 ₁₆)...	00 ₁₆
	(0012 ₁₆)...	XXXXXXXX0000	Clock control register	(0205 ₁₆)...	00 ₁₆
Address match interrupt register 1	(0014 ₁₆)...	00 ₁₆	I/O polarity control register	(0206 ₁₆)...	10000000
	(0015 ₁₆)...	00 ₁₆	OSD control register 3	(0207 ₁₆)...	00 ₁₆
	(0016 ₁₆)...	XXXXXXXX0000	Raster color register	(0208 ₁₆)...	00 ₁₆
DMA0 control register	(002C ₁₆)...	00000?00		(0209 ₁₆)...	00 ₁₆
DMA1 control register	(003C ₁₆)...	00000?00	OSD reserved register 1	(025D ₁₆)...	00 ₁₆
OSD1 interrupt control register	(0044 ₁₆)...	XXXXXXXX?000	OSD control register 4	(025F ₁₆)...	XXXXXXXXXX00
OSD2 interrupt control register	(0048 ₁₆)...	XXXXXXXX?000	Data slicer control register 1	(0260 ₁₆)...	00 ₁₆
Multi-master I ² C-BUS interface 1 interrupt control register	(0049 ₁₆)...	XX00?000	Data slicer control register 2	(0261 ₁₆)...	?0?0?0?0?
Bus collision detection interrupt control register	(004A ₁₆)...	XXXXXXXX?000	Caption position register	(0266 ₁₆)...	00000000
DMA0 interrupt control register	(004B ₁₆)...	XXXXXXXX?000	Data slicer reserved register 2	(0267 ₁₆)...	00 ₁₆
DMA1 interrupt control register	(004C ₁₆)...	XXXXXXXX?000	Data slicer reserved register 1	(0268 ₁₆)...	00 ₁₆
Multi-master I ² C-BUS interface 0 interrupt control register	(004D ₁₆)...	XXXXXXXX?000	Clock run-in detect register	(0269 ₁₆)...	00 ₁₆
A-D conversion interrupt control register	(004E ₁₆)...	XXXXXXXX?000	Data clock position register	(026A ₁₆)...	XXXXXXXX0001
UART2 transmit interrupt control register	(004F ₁₆)...	XXXXXXXX?000	Left border control register	(0270 ₁₆)...	01 ₁₆
UART2 receive interrupt control register	(0050 ₁₆)...	XXXXXXXX?000		(0271 ₁₆)...	XXXXXXXX0000
UART0 transmit interrupt control register	(0051 ₁₆)...	XXXXXXXX?000	Right border control register	(0272 ₁₆)...	00 ₁₆
UART0 receive interrupt control register	(0052 ₁₆)...	XXXXXXXX?000		(0273 ₁₆)...	XXXXXXXX0000
Data slicer interrupt control register	(0053 ₁₆)...	XXXXXXXX?000	SPRITE horizontal position register (high-order)	(0279 ₁₆)...	XXXXXXXX0000
Vsync interrupt control register	(0054 ₁₆)...	XXXXXXXX?000	OSD reserved register 4	(027A ₁₆)...	00000000
Timer A0 interrupt control register	(0055 ₁₆)...	XXXXXXXX?000	OSD reserved register 3	(027B ₁₆)...	00 ₁₆
Timer A1 interrupt control register	(0056 ₁₆)...	XXXXXXXX?000	OSD reserved register 2	(027C ₁₆)...	00 ₁₆
Timer A2 interrupt control register	(0057 ₁₆)...	XXXXXXXX?000	Peripheral mode register	(027D ₁₆)...	0XXXX00000
Timer A3 interrupt control register	(0058 ₁₆)...	XXXXXXXX?000	Hsync counter register	(027E ₁₆)...	XXXXXXXX0000
Timer A4 interrupt control register	(0059 ₁₆)...	XXXXXXXX?000			

X : Nothing is mapped to this bit
? : Undefined

The content of other registers and RAM is undefined when the microcomputer is reset. The initial values must therefore be set.

Figure 2.3.3 Device's internal status after a reset is cleared (1)

M306V5ME-XXXSP
M306V5EESP

SINGLE-CHIP 16-BIT CMOS MICROCOMPUTER with CLOSED CAPTION DECODER
and ON-SCREEN DISPLAY CONTROLLER

I ² C0 address register	(02E1 ₁₆)...	00 ₁₆	UART transmit/receive control register 2	(03B0 ₁₆)...	x00000000
I ² C0 status register	(02E2 ₁₆)...	0001000?	DMA0 request cause select register	(03B8 ₁₆)...	00 ₁₆
I ² C0 control register	(02E3 ₁₆)...	00 ₁₆	DMA1 request cause select register	(03BA ₁₆)...	00 ₁₆
I ² C0 clock control register	(02E4 ₁₆)...	00 ₁₆	A-D control register 2	(03D4 ₁₆)...	0000???
I ² C0 port selection register	(02E5 ₁₆)...	00??0000	A-D control register 0	(03D6 ₁₆)...	0000???
I ² C1 address register	(02E9 ₁₆)...	00 ₁₆	A-D control register 1	(03D7 ₁₆)...	00 ₁₆
I ² C1 status register	(02EA ₁₆)...	0001000?	D-A control register	(03DC ₁₆)...	00 ₁₆
I ² C1 control register	(02EB ₁₆)...	00 ₁₆	Port P0 direction register	(03E2 ₁₆)...	00 ₁₆
I ² C1 clock control register	(02EC ₁₆)...	00 ₁₆	Port reserved register 2	(03E3 ₁₆)...	00 ₁₆
I ² C1 port selection register	(02ED ₁₆)...	00??0000	Port P2 direction register	(03E6 ₁₆)...	00 ₁₆
Reserved register 1	(0340 ₁₆)...	000???	Port P3 direction register	(03E7 ₁₆)...	00 ₁₆
Reserved register 0	(0348 ₁₆)...	00 ₁₆	Port P4 direction register	(03EA ₁₆)...	00 ₁₆
Interrupt request cause select register	(035F ₁₆)...	00 ₁₆	Port P5 direction register	(03EB ₁₆)...	00 ₁₆
Reserved register 3	(0362 ₁₆)...	40 ₁₆	Port P6 direction register	(03EE ₁₆)...	00 ₁₆
Reserved register 4	(0366 ₁₆)...	40 ₁₆	Port P7 direction register	(03EF ₁₆)...	00 ₁₆
Reserved register 5	(0376 ₁₆)...	00 ₁₆	Port P8 direction register	(03F2 ₁₆)...	00x00000
UART2 special mode register	(0377 ₁₆)...	00 ₁₆	Port P9 direction register	(03F3 ₁₆)...	00 ₁₆
UART2 transmit/receive mode register	(0378 ₁₆)...	00 ₁₆	Port P10 direction register	(03F6 ₁₆)...	00 ₁₆
UART2 transmit/receive control register 0	(037C ₁₆)...	08 ₁₆	Pull-up control register 0	(03FC ₁₆)...	00 ₁₆
UART2 transmit/receive control register 1	(037D ₁₆)...	02 ₁₆	Pull-up control register 1 (Note)	(03FD ₁₆)...	00 ₁₆
Count start flag	(0380 ₁₆)...	00 ₁₆	Pull-up control register 2	(03FE ₁₆)...	00 ₁₆
Reserved register 6	(0381 ₁₆)...	xxxxxxx	Port reserved register 3	(03FF ₁₆)...	00 ₁₆
One-shot start flag	(0382 ₁₆)...	00x00000	Data registers (R0/R1/R2/R3)		0000 ₁₆
Trigger select register	(0383 ₁₆)...	00 ₁₆	Address registers (A0/A1)		0000 ₁₆
Up-down flag	(0384 ₁₆)...	00 ₁₆	Frame base register (FB)		0000 ₁₆
Timer A0 mode register	(0396 ₁₆)...	00 ₁₆	Interrupt table register (INTB)		00000 ₁₆
Timer A1 mode register	(0397 ₁₆)...	00 ₁₆	User stack pointer (USP)		0000 ₁₆
Timer A2 mode register	(0398 ₁₆)...	00 ₁₆	Interrupt stack pointer (ISP)		0000 ₁₆
Timer A3 mode register	(0399 ₁₆)...	00 ₁₆	Static base register (SB)		0000 ₁₆
Timer A4 mode register	(039A ₁₆)...	00 ₁₆	Flag register (FLG)		0000 ₁₆
Timer B0 mode register	(039B ₁₆)...	00?x0000			
Timer B1 mode register	(039C ₁₆)...	00?x0000			
Timer B2 mode register	(039D ₁₆)...	00?x0000			
UART0 transmit/receive mode register	(03A0 ₁₆)...	00 ₁₆			
UART0 transmit/receive control register 0	(03A4 ₁₆)...	08 ₁₆			
UART0 transmit/receive control register 1	(03A5 ₁₆)...	02 ₁₆			
Reserved register 2	(03A8 ₁₆)...	00 ₁₆			

x : Nothing is mapped to this bit
? : Undefined

The content of other registers and RAM is undefined when the microcomputer is reset. The initial values must therefore be set.

Figure 2.3.4 Device's internal status after a reset is cleared (2)

M306V5ME-XXXSP
M306V5EESP

SINGLE-CHIP 16-BIT CMOS MICROCOMPUTER with CLOSED CAPTION DECODER
and ON-SCREEN DISPLAY CONTROLLER

2.4 Single-chip Mode

This microcomputer supports single-chip mode only.

In single-chip mode, only internal memory space (SFR, OSD RAM, internal RAM, and internal ROM) can be accessed. Ports P0, P2 to P10 can be used as programmable I/O ports or as I/O ports for the internal peripheral functions.

Figure 2.4.1 shows the processor mode register 0 and Figure 2.4.2 shows the processor mode register 1. Figure 2.4.3 shows the memory map.

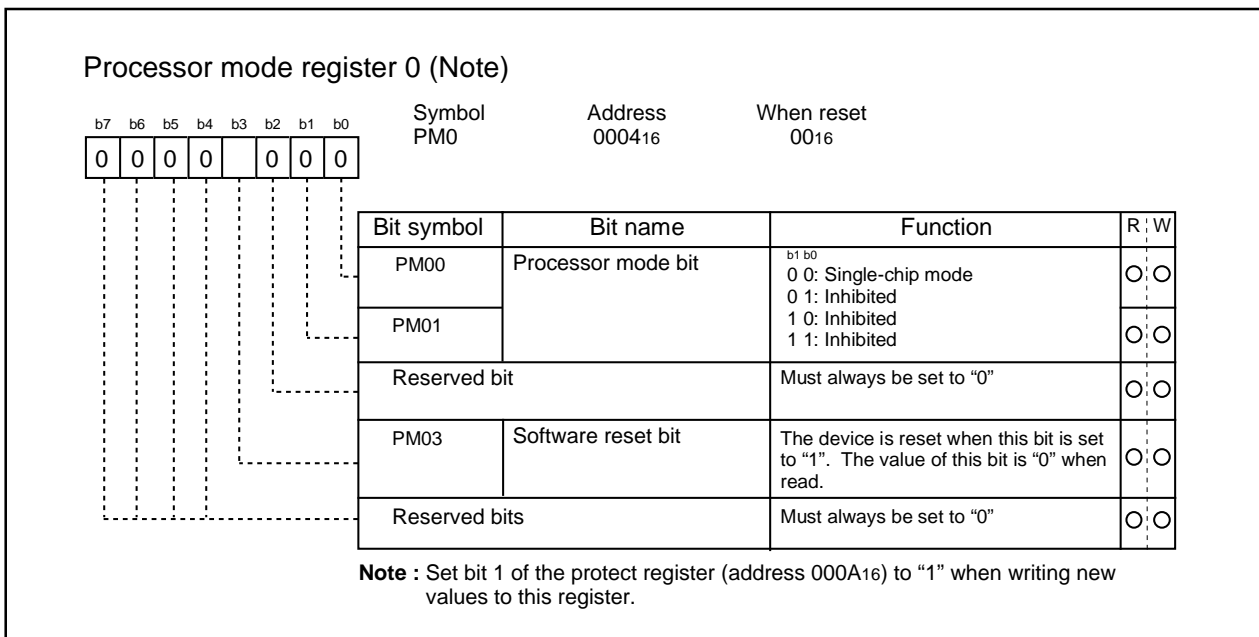


Figure 2.4.1 Processor mode register 0

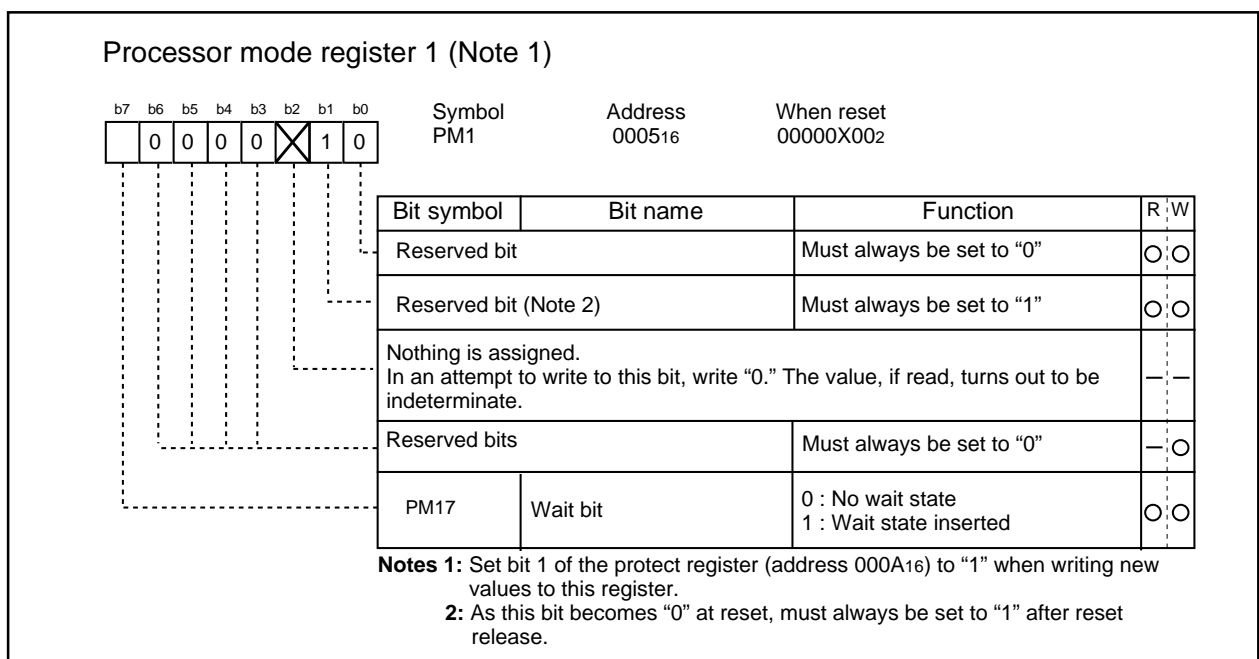


Figure 2.4.2 Processor mode register 1

M306V5ME-XXXSP
M306V5EESP

SINGLE-CHIP 16-BIT CMOS MICROCOMPUTER with CLOSED CAPTION DECODER
 and ON-SCREEN DISPLAY CONTROLLER

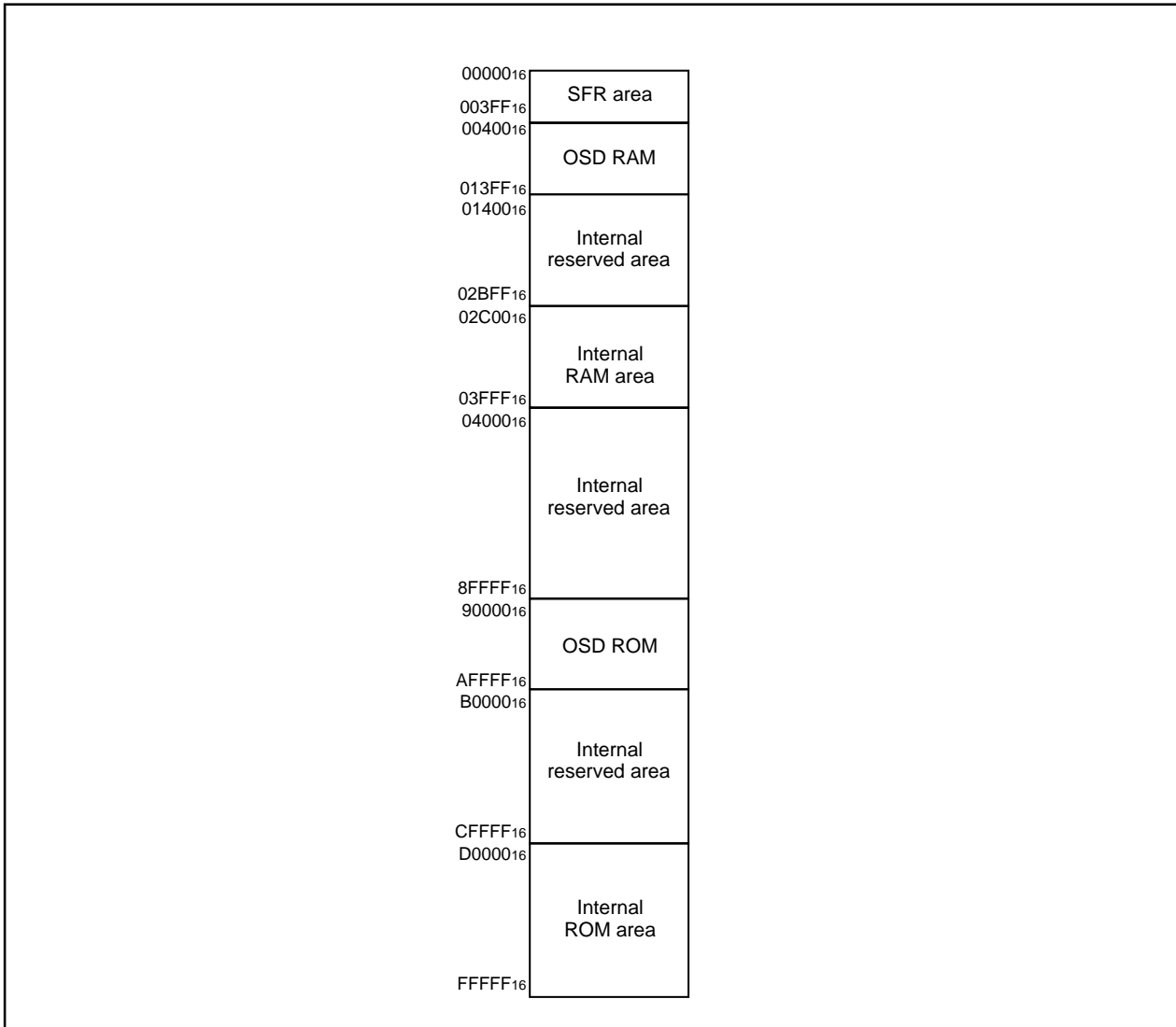


Figure 2.4.3 Memory map in single-chip mode

2.4.1 Software Wait

A software wait can be inserted by setting the wait bit (bit 7) of processor mode register 1 (address 0005₁₆).

A software wait is inserted in the internal ROM/RAM area by setting the wait bit of the processor mode register 1. When set to "0", each bus cycle is executed in one BCLK cycle. When set to "1", each bus cycle is executed in two BCLK cycles. After the microcomputer has been reset, this bit defaults to "0".

The SFR area and the OSD RAM area is always accessed in two BCLK cycles regardless of the setting of these control bits.

Table 2.4.1 shows the software wait and bus cycles. Figure 2.4.4 shows example bus timing when using software waits.

Table 2.4.1 Software waits and bus cycles

Area	Wait bit	Bus cycle
SFR/ OSD RAM	Invalid	2 BCLK cycles
Internal ROM/RAM	0	1 BCLK cycle
	1	2 BCLK cycles

M306V5ME-XXXSP
M306V5EESP

SINGLE-CHIP 16-BIT CMOS MICROCOMPUTER with CLOSED CAPTION DECODER
and ON-SCREEN DISPLAY CONTROLLER

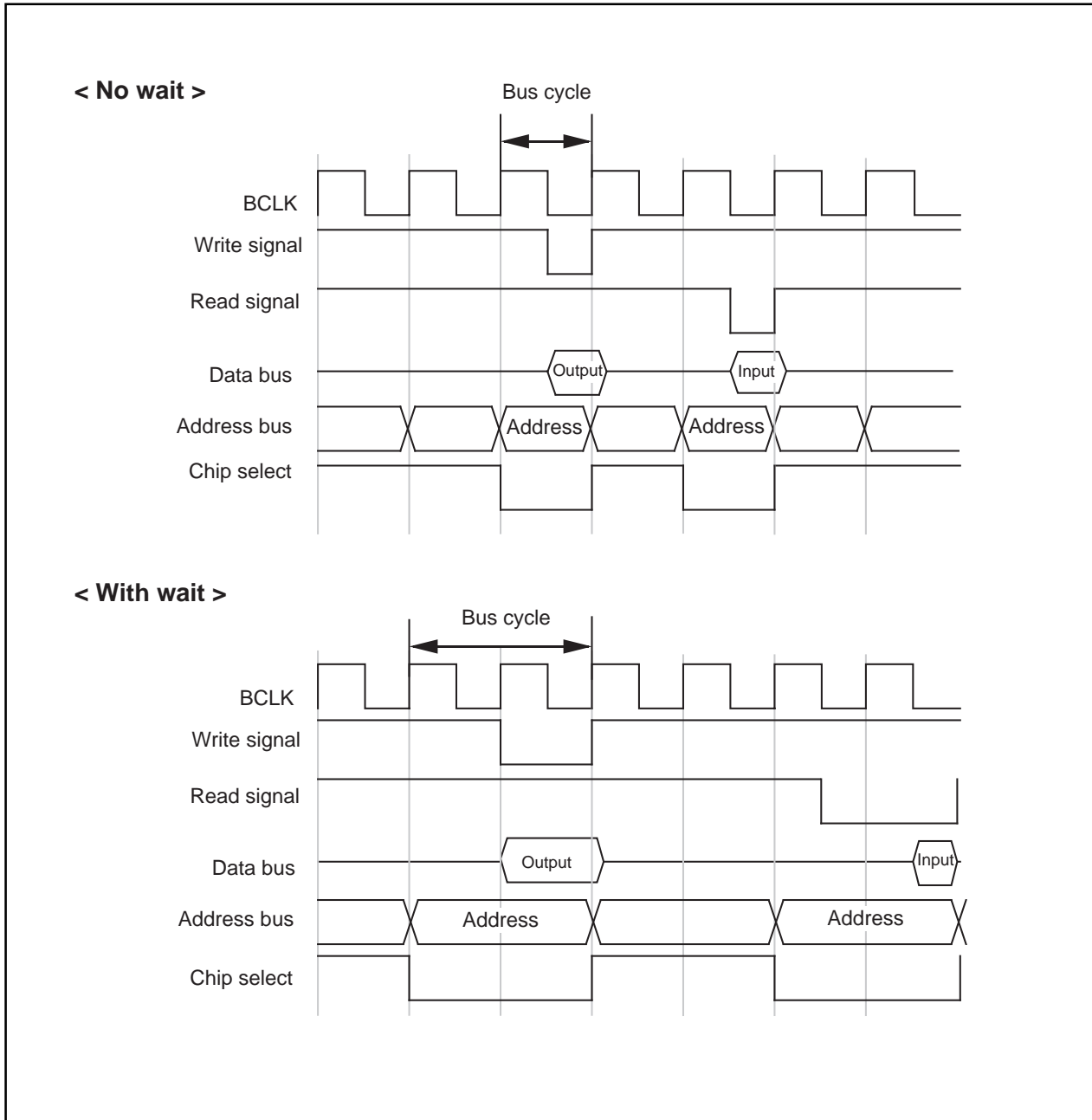


Figure 2.4.4 Typical bus timings using software wait

M306V5ME-XXXSP
M306V5EESP

SINGLE-CHIP 16-BIT CMOS MICROCOMPUTER with CLOSED CAPTION DECODER
and ON-SCREEN DISPLAY CONTROLLER

2.5 Clock Generating Circuit

The clock generating circuit contains each oscillator circuit that supplies the operating clock sources to the CPU and internal peripheral units and that supplies the operating clock source to OSD.

Table 2.5.1. Clock oscillation circuits

	Main clock oscillation circuit	OSD oscillation circuit
Use of clock	<ul style="list-style-type: none"> • CPU's operating clock source • Internal peripheral units' operating clock source 	<ul style="list-style-type: none"> • OSD's operating clock source
Usable oscillator	<ul style="list-style-type: none"> • Ceramic resonator (or quartz-crystal oscillator) 	<ul style="list-style-type: none"> • Ceramic resonator (or quartz-crystal oscillator) • LC oscillator
Pins to connect oscillator	XIN, XOUT	OSC1, OSC2
Oscillation stop/restart function	Available	/
Oscillator status immediately after reset	Oscillating	
Other	Externally derived clock can be input	

2.5.1 Example of Oscillator Circuit

Figure 2.5.1 shows some examples of the main clock circuit, one using an oscillator connected to the circuit, and the other one using an externally derived clock for input. Circuit constants in Figure 2.5.1 vary with each oscillator used. Use the values recommended by the manufacturer of your oscillator.

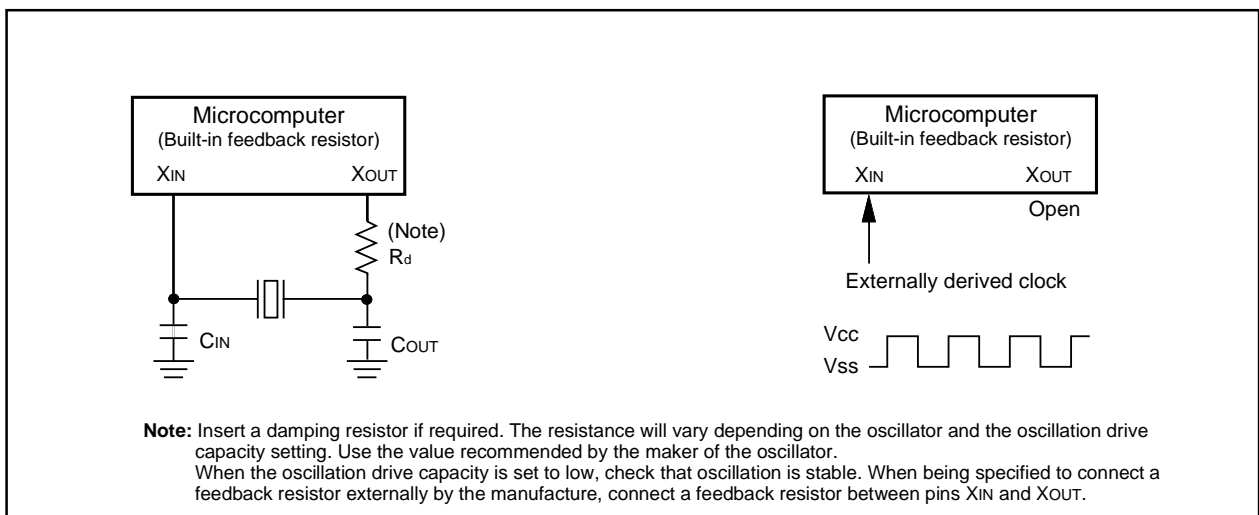


Figure 2.5.1 Examples of main clock

M306V5ME-XXXSP M306V5EESP

SINGLE-CHIP 16-BIT CMOS MICROCOMPUTER with CLOSED CAPTION DECODER
and ON-SCREEN DISPLAY CONTROLLER

2.5.2 OSD Oscillation Circuit

The OSD clock oscillation circuit can obtain simply a clock for OSD by connecting an LC oscillator or a ceramic resonator (or a quartz-crystal oscillator) across the pins OSC1 and OSC2. Which of LC oscillator or a ceramic resonator (or a quartz-crystal oscillator) is selected by setting bits 1 and 2 of the clock control register (address 020516).

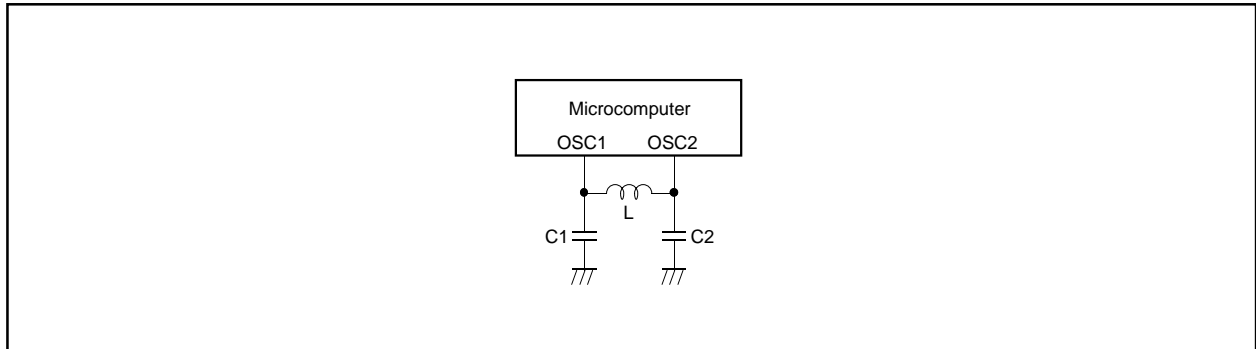


Figure 2.5.2 OSD clock connection example

2.5.3 Clock Control

Figure 2.5.3 shows the block diagram of the main clock generating circuit.

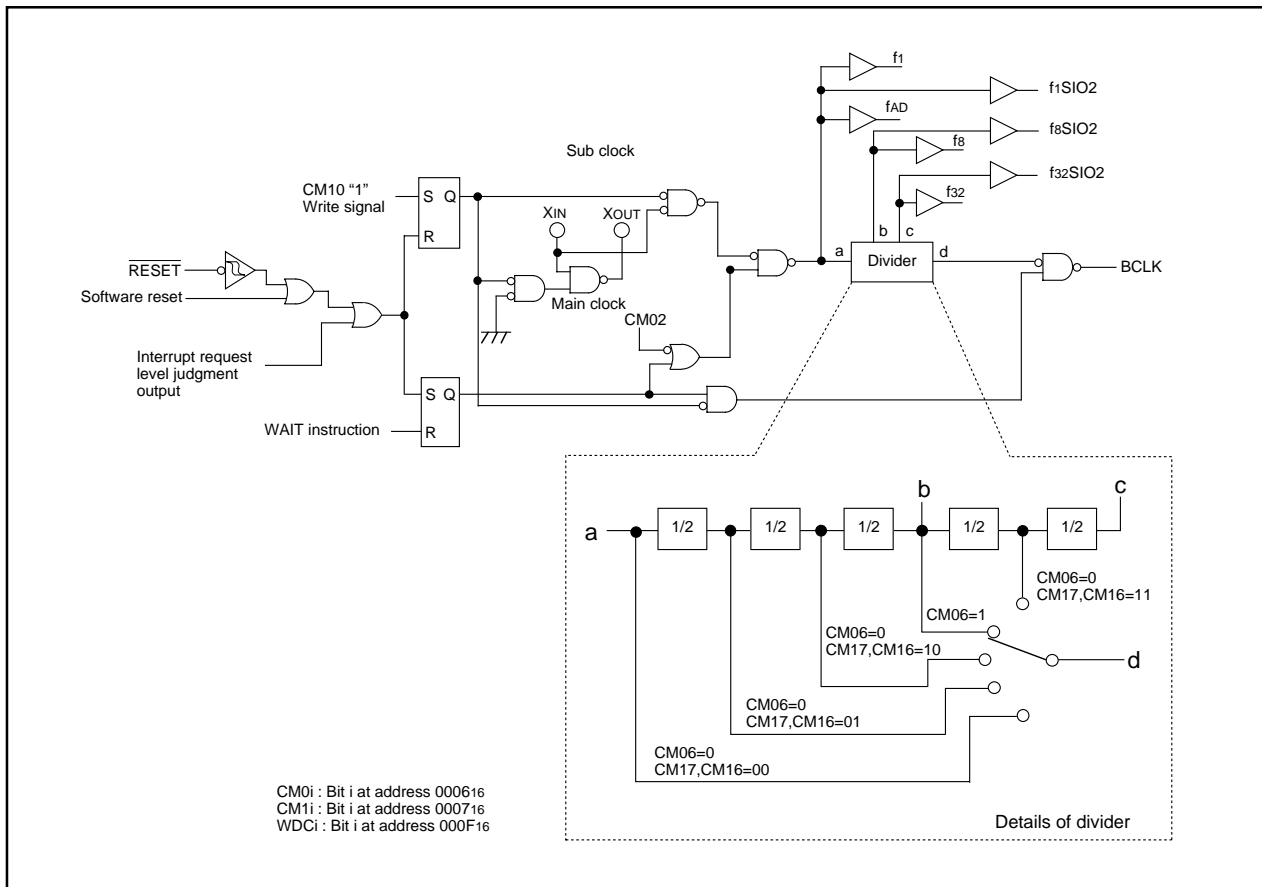


Figure 2.5.3 Clock generating circuit

The following paragraphs describes the clocks generated by the clock generating circuit.

(1) Main clock

The main clock is generated by the main clock oscillation circuit. After a reset, the clock is divided by 8 to the BCLK. The clock can be stopped using the main clock stop bit (bit 5 at address 000616).

After the oscillation of the main clock oscillation circuit has stabilized, the drive capacity of the main clock oscillation circuit can be reduced using the XIN-XOUT drive capacity select bit (bit 5 at address 000716). Reducing the drive capacity of the main clock oscillation circuit reduces the power dissipation. This bit changes to "1" when shifting from high-speed/medium-speed mode to stop mode and at a reset.

(2) BCLK

The internal clock ϕ is the clock that drives the CPU, and is the clock derived by dividing the main clock by 1, 2, 4, 8, or 16. The BCLK is derived by dividing the main clock by 8 after a reset.

The main clock division select bit 0 (bit 6 at address 000616) changes to "1" when shifting from high-speed/medium-speed to stop mode and at reset.

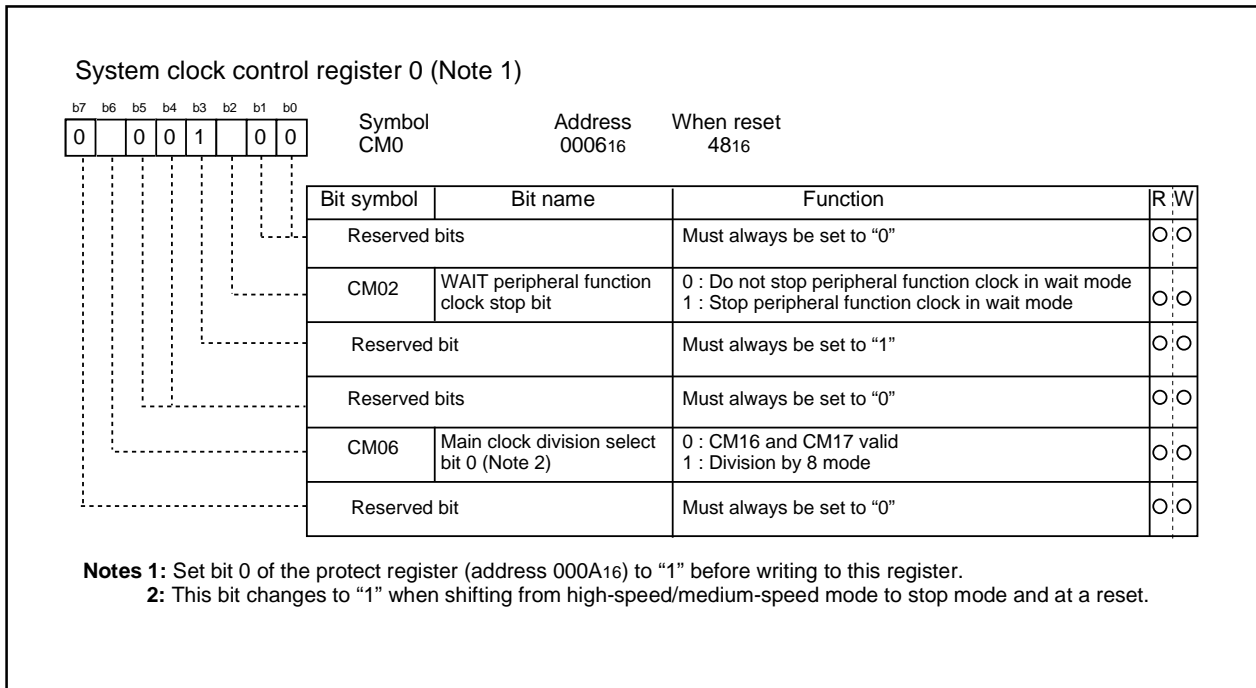
(3) Peripheral function clock (f1, f8, f32, f1SIO2, f8SIO2, f32SIO2, fAD)

The clock for the peripheral devices is derived by dividing the main clock by 1, 8 or 32. The peripheral function clock is stopped by stopping the main clock or by setting the WAIT peripheral function clock stop bit (bit 2 at 000616) to "1" and then executing a WAIT instruction.

M306V5ME-XXXSP
M306V5EESP

SINGLE-CHIP 16-BIT CMOS MICROCOMPUTER with CLOSED CAPTION DECODER
and ON-SCREEN DISPLAY CONTROLLER

Figures 2.5.4 and 2.5.5 shows the system clock control registers 0 and 1.



Figures 2.5.4 System clock control register 0

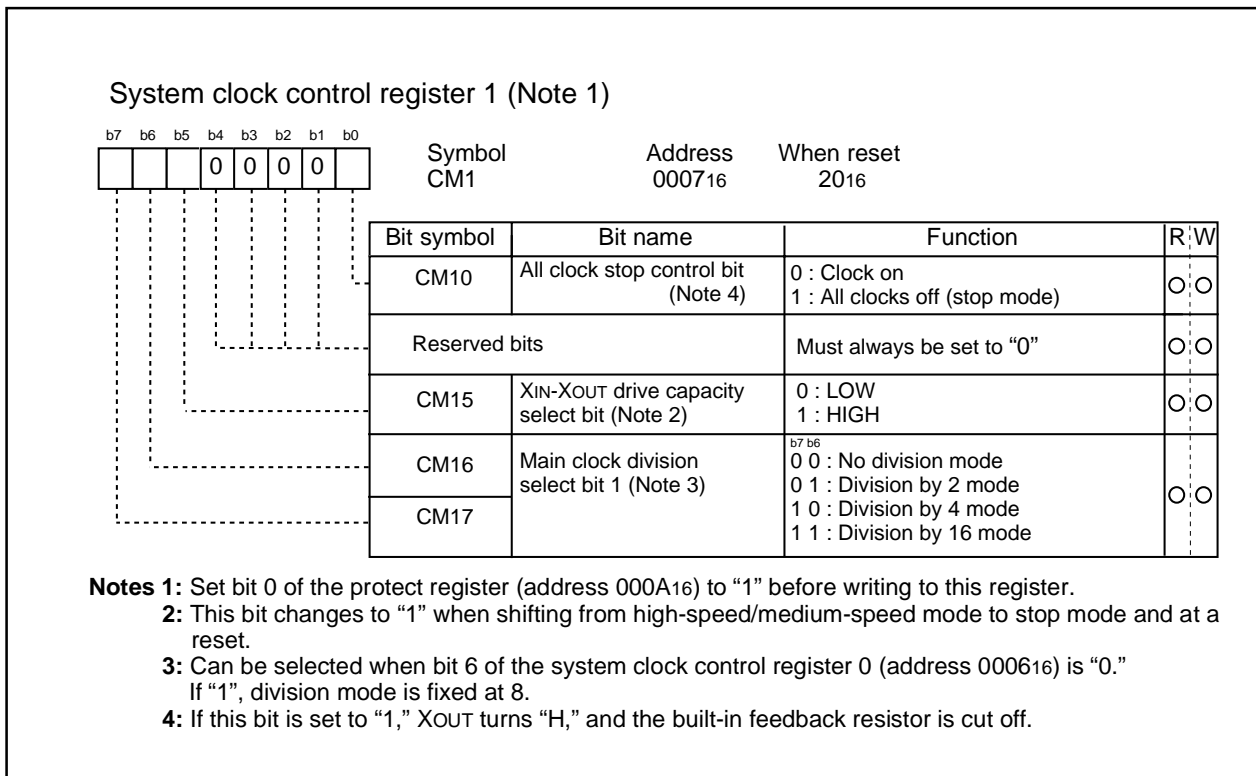


Figure 2.5.5 System clock control register 1

M306V5ME-XXXSP
M306V5EESP

SINGLE-CHIP 16-BIT CMOS MICROCOMPUTER with CLOSED CAPTION DECODER
and ON-SCREEN DISPLAY CONTROLLER

2.5.4 Stop Mode

Writing “1” to the all-clock stop control bit (bit 0 at address 000716) stops all oscillation and the microcomputer enters stop mode. In stop mode, the content of the internal RAM is retained provided that VCC remains above 4.5V.

Because the oscillation, BCLK, f1 to f32, f1SIO2 to f32SIO2, and fAD stops in stop mode, peripheral functions such as the A-D converter and watchdog timer do not function. However, timer B operates provided that the event counter mode is set to an external pulse, and UARTi (i = 0, 2) functions provided an external clock is selected. Table 2.5.2 shows the status of the ports in stop mode.

Stop mode is cancelled by a hardware reset or an interrupt. If an interrupt is to be used to cancel stop mode, that interrupt must first have been enabled. If returning by an interrupt, that interrupt routine is executed.

When shifting from high-speed/medium-speed mode to stop mode and at a reset, the main clock division select bit 0 (bit 6 at address 000616) is set to “1.” When shifting from low-speed/low power dissipation mode to stop mode, the value before stop mode is retained.

Table 2.5.2 Port status during stop mode

Pin	State
Port	Retains status before stop mode

2.5.5 Wait Mode

When a WAIT instruction is executed, the BCLK stops and the microcomputer enters the wait mode. In this mode, oscillation continues but the BCLK and watchdog timer stop. Writing “1” to the WAIT peripheral function clock stop bit and executing a WAIT instruction stops the clock being supplied to the internal peripheral functions, allowing power dissipation to be reduced. Table 2.5.3 shows the status of the ports in wait mode.

Wait mode is cancelled by a hardware reset or an interrupt. If an interrupt is used to cancel wait mode, the microcomputer restarts from the interrupt routine using as BCLK, the clock that had been selected when the WAIT instruction was executed.

Table 2.5.3 Port status during wait mode

Pin	State
Port	Retains status before wait mode

2.5.6 Status Transition of BCLK

Power dissipation can be reduced and low-voltage operation achieved by changing the count source for BCLK. Table 2.5.4 shows the operating modes corresponding to the settings of system clock control registers 0 and 1.

After a reset, operation defaults to division by 8 mode. When shifting to stop mode, the main clock division select bit 0 (bit 6 at address 000616) is set to "1". The following shows the operational modes of internal clock ϕ .

(1) Division by 2 mode

The main clock is divided by 2 to obtain the BCLK.

(2) Division by 4 mode

The main clock is divided by 4 to obtain the BCLK.

(3) Division by 8 mode

The main clock is divided by 8 to obtain the BCLK. Note that oscillation of the main clock must have stabilized before transferring from this mode to another mode.

(4) Division by 16 mode

The main clock is divided by 16 to obtain the BCLK.

(5) No-division mode

The main clock is used as the BCLK.

Table 2.5.4 Operating modes dictated by settings of system clock control registers 0 and 1

CM17	CM16	CM06	CM04	Operating mode of BCLK
0	1	0	Invalid	Division by 2 mode
1	0	0	Invalid	Division by 4 mode
Invalid	Invalid	1	Invalid	Division by 8 mode
1	1	0	Invalid	Division by 16 mode
0	0	0	Invalid	No-division mode

2.5.7 Power Control

The following is a description of the three available power control modes:

Modes

Power control is available in three modes.

(1) Normal operation mode

■ High-speed mode

Divide-by-1 frequency of the main clock becomes the BCLK. The CPU operates with the internal clock selected. Each peripheral function operates according to its assigned clock.

■ Medium-speed mode

Divide-by-2, divide-by-4, divide-by-8, or divide-by-16 frequency of the main clock becomes the BCLK. The CPU operates according to the internal clock selected. Each peripheral function operates according to its assigned clock.

(2) Wait mode

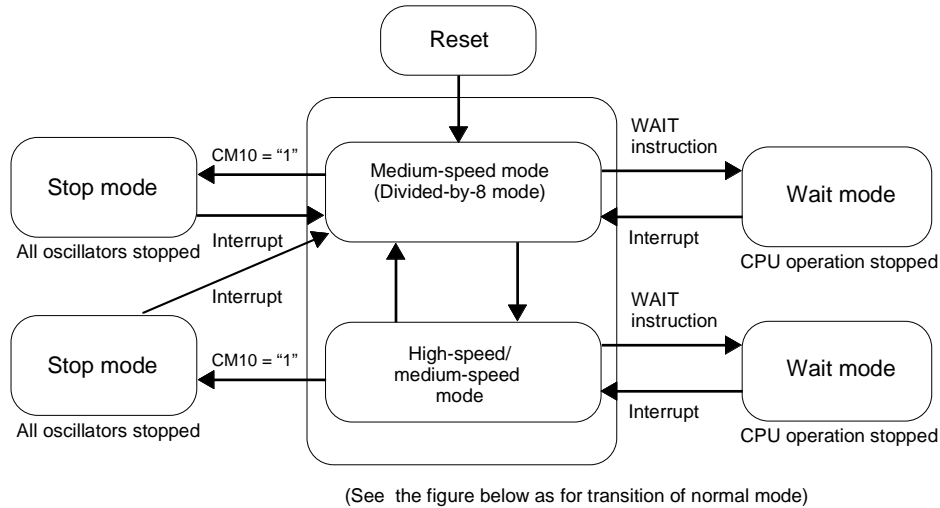
The CPU operation is stopped. The oscillators do not stop.

(3) Stop mode

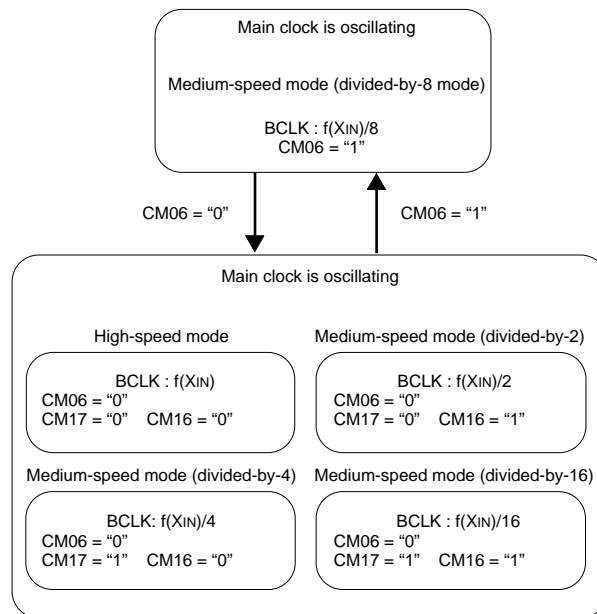
All oscillators stop. The CPU and all built-in peripheral functions stop. This mode, among the three modes listed here, is the most effective in decreasing power consumption.

Figure 2.5.6 is the state transition diagram of the above modes.

Transition of stop mode, wait mode



Transition of normal mode



- Notes 1:** Switch clocks after oscillation of main clock is sufficiently stable.
2: Change CM06 after changing CM17 and CM16.
3: Transit in accordance with arrows.

Figure 2.5.6 State transition diagram of Power control mode

2.6 Protection

The protection function is provided so that the values in important registers cannot be changed in the event that the program runs out of control. Figure 2.6.1 shows the protect register. The values in the processor mode register 0 (address 0004₁₆), processor mode register 1 (address 0005₁₆), system clock control register 0 (address 0006₁₆), system clock control register 1 (address 0007₁₆) and port P9 direction register (address 03F3₁₆) can only be changed when the respective bit in the protect register is set to "1". Therefore, important outputs can be allocated to port P9.

If, after "1" (write-enabled) has been written to the port P9 direction register write-enable bit (bit 2 at address 000A₁₆), a value is written to any address, the bit automatically reverts to "0" (write-inhibited). However, the system clock control registers 0 and 1 write-enable bit (bit 0 at 000A₁₆) and processor mode register 0 and 1 write-enable bit (bit 1 at 000A₁₆) do not automatically return to "0" after a value has been written to an address. The program must therefore be written to return these bits to "0".

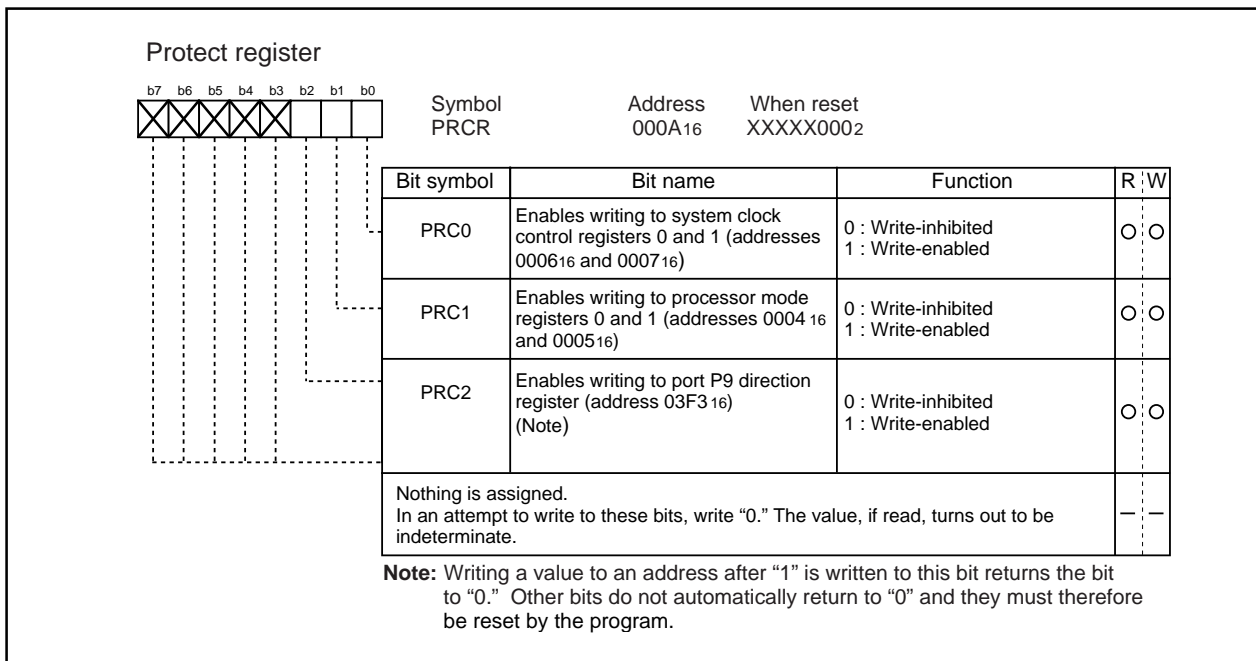


Figure 2.6.1 Protect register

2.7 Interrupts

2.7.1 Type of Interrupts

Figure 2.7.1 lists the types of interrupts.

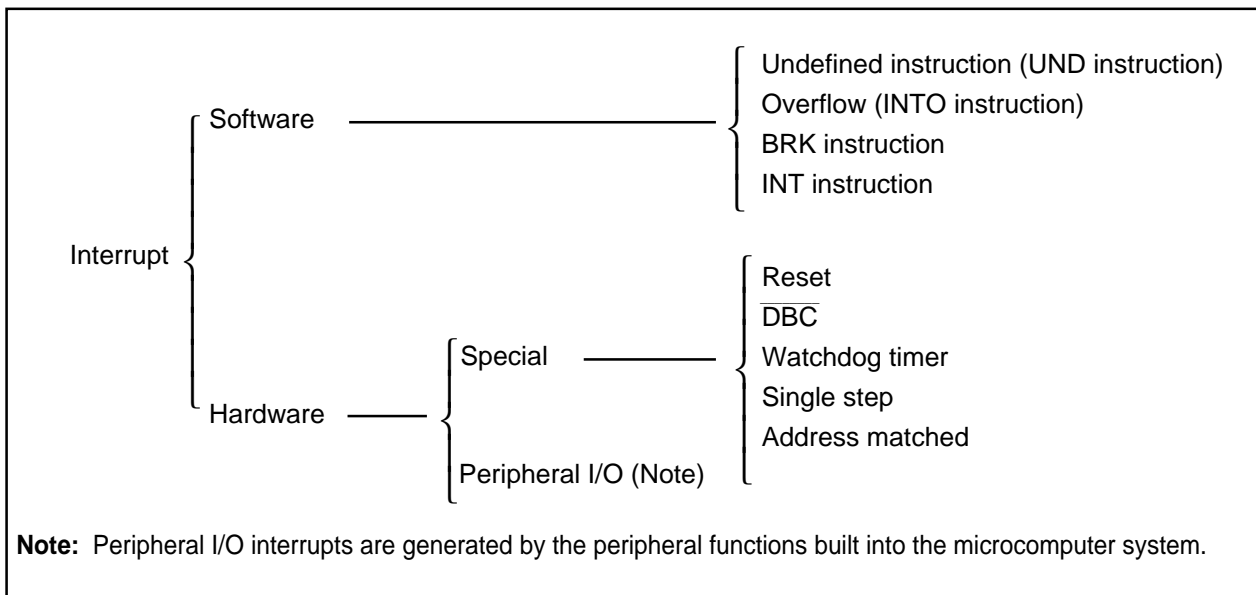


Figure 2.7.1 Classification of interrupts

- Maskable interrupt : An interrupt which can be enabled (disabled) by the interrupt enable flag (I flag) or whose interrupt priority **can be changed** by priority level.
- Non-maskable interrupt : An interrupt which cannot be enabled (disabled) by the interrupt enable flag (I flag) or whose interrupt priority **cannot be changed** by priority level.

2.7.2 Software Interrupts

A software interrupt occurs when executing certain instructions. Software interrupts are non-maskable interrupts.

- **Undefined instruction interrupt**

An undefined instruction interrupt occurs when executing the UND instruction.

- **Overflow interrupt**

An overflow interrupt occurs when executing the INTO instruction with the overflow flag (O flag) set to "1". The following are instructions whose O flag changes by arithmetic:

ABS, ADC, ADCF, ADD, CMP, DIV, DIVU, DIVX, NEG, RMPA, SBB, SHA, SUB

- **BRK interrupt**

A BRK interrupt occurs when executing the BRK instruction.

- **INT interrupt**

An INT interrupt occurs when assigning one of software interrupt numbers 0 through 63 and executing the INT instruction. Software interrupt numbers 0 through 31 are assigned to peripheral I/O interrupts, so executing the INT instruction allows executing the same interrupt routine that a peripheral I/O interrupt does.

The stack pointer (SP) used for the INT interrupt is dependent on which software interrupt number is involved.

So far as software interrupt numbers 0 through 31 are concerned, the microcomputer saves the stack pointer assignment flag (U flag) when it accepts an interrupt request. It changes the U flag to "0" and selects the interrupt stack pointer (ISP), and then executes an interrupt sequence. When returning from the interrupt routine, the U flag is returned to the state it was before the acceptance of interrupt request. So far as software numbers 32 through 63 are concerned, the stack pointer does not make a shift.

2.7.3 Hardware Interrupts

Hardware interrupts are classified into two types — special interrupts and peripheral I/O interrupts.

(1) Special interrupts

Special interrupts are non-maskable interrupts.

- **Reset**

Reset occurs if an “L” is input to the $\overline{\text{RESET}}$ pin.

- **$\overline{\text{DBC}}$ interrupt**

This interrupt is exclusively for the debugger, do not use it in other circumstances.

- **Watchdog timer interrupt**

Generated by the watchdog timer.

- **Single-step interrupt**

This interrupt is exclusively for the debugger, do not use it in other circumstances. With the debug flag (D flag) set to “1,” a single-step interrupt occurs after one instruction is executed.

- **Address match interrupt**

An address match interrupt occurs immediately before the instruction held in the address indicated by the address match interrupt register is executed with the address match interrupt enable bit set to “1.” If an address other than the first address of the instruction in the address match interrupt register is set, no address match interrupt occurs. For address match interrupt, see 2.11 Address match Interrupt.

(2) Peripheral I/O interrupts

A peripheral I/O interrupt is generated by one of built-in peripheral functions. Built-in peripheral functions are dependent on classes of products, so the interrupt factors too are dependent on classes of products. The interrupt vector table is the same as the one for software interrupt numbers 0 through 31 the INI instruction uses. Peripheral I/O interrupts are maskable interrupts.

- **Bus collision detection interrupt**

This is an interrupt that the serial I/O bus collision detection generates.

- **DMA0 interrupt, DMA1 interrupt**

These are interrupts DMA generates.

- **V_{SYNC} interrupt**

V_{SYNC} interrupt occurs if a V_{SYNC} edge is input.

- **A-D conversion interrupt**

This is an interrupt that the A-D converter generates.

- **UART0 transmission, UART2 transmission interrupts**

These are interrupts that the serial I/O transmission generates.

- **UART0 reception, UART2 reception interrupts**

These are interrupts that the serial I/O reception generates.

- **Multi-master I²C-BUS interface 0 and multi-master I²C-BUS interface 1 interrupts**

This is an interrupt that the serial I/O transmission/reception is completed, or a STOP condition is detected.

- **Timer A0 interrupt through timer A4 interrupt**

These are interrupts that timer A generates

- **Timer B0 interrupt through timer B2 interrupt**

These are interrupts that timer B generates.

M306V5ME-XXXSP
M306V5EESPSINGLE-CHIP 16-BIT CMOS MICROCOMPUTER with CLOSED CAPTION DECODER
and ON-SCREEN DISPLAY CONTROLLER

• $\overline{\text{INT0}}$ interrupt and $\overline{\text{INT1}}$ interrupt

An $\overline{\text{INT}}$ interrupt occurs if either a rising edge or a falling edge or a both edge is input to the $\overline{\text{INT}}$ pin.

• OSD1 interrupt and OSD2 interrupt

These are interrupts that OSD display is completed.

• Data slicer interrupt

This is an interrupt that data slicer circuit requests.

2.7.4 Interrupts and Interrupt Vector Tables

If an interrupt request is accepted, a program branches to the interrupt routine set in the interrupt vector table. Set the first address of the interrupt routine in each vector table. Figure 2.7.2 shows the format for specifying the address.

Two types of interrupt vector tables are available — fixed vector table in which addresses are fixed and variable vector table in which addresses can be varied by the setting.

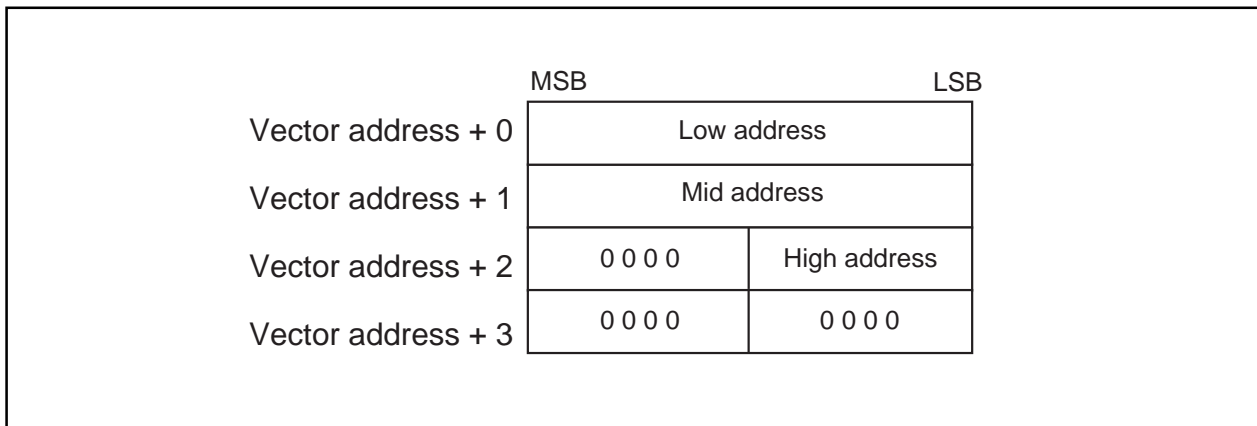


Figure 2.7.2 Format for specifying interrupt vector addresses

(1) Fixed vector tables

The fixed vector table is a table in which addresses are fixed. The vector tables are located in an area extending from FFFDC₁₆ to FFFFF₁₆. One vector table comprises four bytes. Set the first address of interrupt routine in each vector table. Table 2.7.1 shows the interrupts assigned to the fixed vector tables and addresses of vector tables.

Table 2.7.1 Interrupts assigned to the fixed vector tables and addresses of vector tables

Interrupt source	Vector table addresses Address (L) to address (H)	Remarks
Undefined instruction	FFFD ₁₆ to FFFD ₁₆ F	Interrupt on UND instruction
Overflow	FFFE0 ₁₆ to FFFE3 ₁₆	Interrupt on INTO instruction
BRK instruction	FFFE4 ₁₆ to FFFE7 ₁₆	If the vector is filled with FF ₁₆ , program execution starts from the address shown by the vector in the variable vector table
Address match	FFFE8 ₁₆ to FFFE ₁₆ B	There is an address-matching interrupt enable bit
Single step (Note)	FFFE ₁₆ C to FFFE ₁₆ F	Do not use
Watchdog timer	FFFF0 ₁₆ to FFFF3 ₁₆	
DBC (Note)	FFFF4 ₁₆ to FFFF7 ₁₆	Do not use
Reserved source	FFFE8 ₁₆ to FFFE ₁₆ B	Do not use
Reset	FFFF ₁₆ C to FFFF ₁₆ F	

Note: Interrupts used for debugging purposes only.

M306V5ME-XXXSP
M306V5EESP

SINGLE-CHIP 16-BIT CMOS MICROCOMPUTER with CLOSED CAPTION DECODER
and ON-SCREEN DISPLAY CONTROLLER

(2) Variable vector tables

The fixed vector table is a table in which addresses are fixed. The vector tables are located in an area extending from FFFDC₁₆ to FFFFF₁₆. One vector table comprises four bytes. Set the first address of interrupt routine in each vector table. Table 2.7.2 shows the interrupts assigned to the fixed vector tables and addresses of vector tables.

Table 2.7.2 Interrupts assigned to the variable vector tables and addresses of vector tables

Software interrupt number	Vector table address Address (L) to address (H)	Interrupt source	Remarks
Software interrupt number 0	+0 to +3 (Note)	BRK instruction	Cannot be masked I flag
Software interrupt number 4	+16 to +19 (Note)	OSD1	
Software interrupt number 5	+20 to +23 (Note)	Reserved source	
Software interrupt number 6	+24 to +27 (Note)	Reserved source	
Software interrupt number 7	+28 to +31 (Note)	Reserved source	
Software interrupt number 8	+32 to +35 (Note)	OSD2	
Software interrupt number 9	+36 to +39 (Note)	Multi-master I ² C-BUS interface 1	
Software interrupt number 10	+40 to +43 (Note)	Bus collision detection	
Software interrupt number 11	+44 to +47 (Note)	DMA0	
Software interrupt number 12	+48 to +51 (Note)	DMA1	
Software interrupt number 13	+52 to +55 (Note)	Multi-master I ² C-BUS interface 0	
Software interrupt number 14	+56 to +59 (Note)	A-D conversion	
Software interrupt number 15	+60 to +63 (Note)	UART2 transmit	
Software interrupt number 16	+64 to +67 (Note)	UART2 receive	
Software interrupt number 17	+68 to +71 (Note)	UART0 transmit	
Software interrupt number 18	+72 to +75 (Note)	UART0 receive	
Software interrupt number 19	+76 to +79 (Note)	Data slicer	
Software interrupt number 20	+80 to +83 (Note)	VSYNC	
Software interrupt number 21	+84 to +87 (Note)	Timer A0	
Software interrupt number 22	+88 to +91 (Note)	Timer A1	
Software interrupt number 23	+92 to +95 (Note)	Timer A2	
Software interrupt number 24	+96 to +99 (Note)	Timer A3	
Software interrupt number 25	+100 to +103 (Note)	Timer A4	
Software interrupt number 26	+104 to +107 (Note)	Timer B0	
Software interrupt number 27	+108 to +111 (Note)	Timer B1	
Software interrupt number 28	+112 to +115 (Note)	Timer B2	
Software interrupt number 29	+116 to +119 (Note)	$\overline{INT0}$	
Software interrupt number 30	+120 to +123 (Note)	$\overline{INT1}$	
Software interrupt number 31	+124 to +127 (Note)	Reserved source	
Software interrupt number 32 to Software interrupt number 63	+128 to +131 (Note) to +252 to +255 (Note)	Software interrupt	Cannot be masked I flag

Note: Address relative to address in interrupt table register (INTB).

2.7.5 Interrupt Control

Descriptions are given here regarding how to enable or disable maskable interrupts and how to set the priority to be accepted. What is described here does not apply to non-maskable interrupts.

Enable or disable a non-maskable interrupt using the interrupt enable flag (I flag), interrupt priority level selection bit, or processor interrupt priority level (IPL). Whether an interrupt request is present or absent is indicated by the interrupt request bit. The interrupt request bit and the interrupt priority level selection bit are located in the interrupt control register of each interrupt. Also, the interrupt enable flag (I flag) and the IPL are located in the flag register (FLG).

Figure 2.7.3 shows the interrupt control registers.

M306V5ME-XXXSP
M306V5EESP

SINGLE-CHIP 16-BIT CMOS MICROCOMPUTER with CLOSED CAPTION DECODER
and ON-SCREEN DISPLAY CONTROLLER

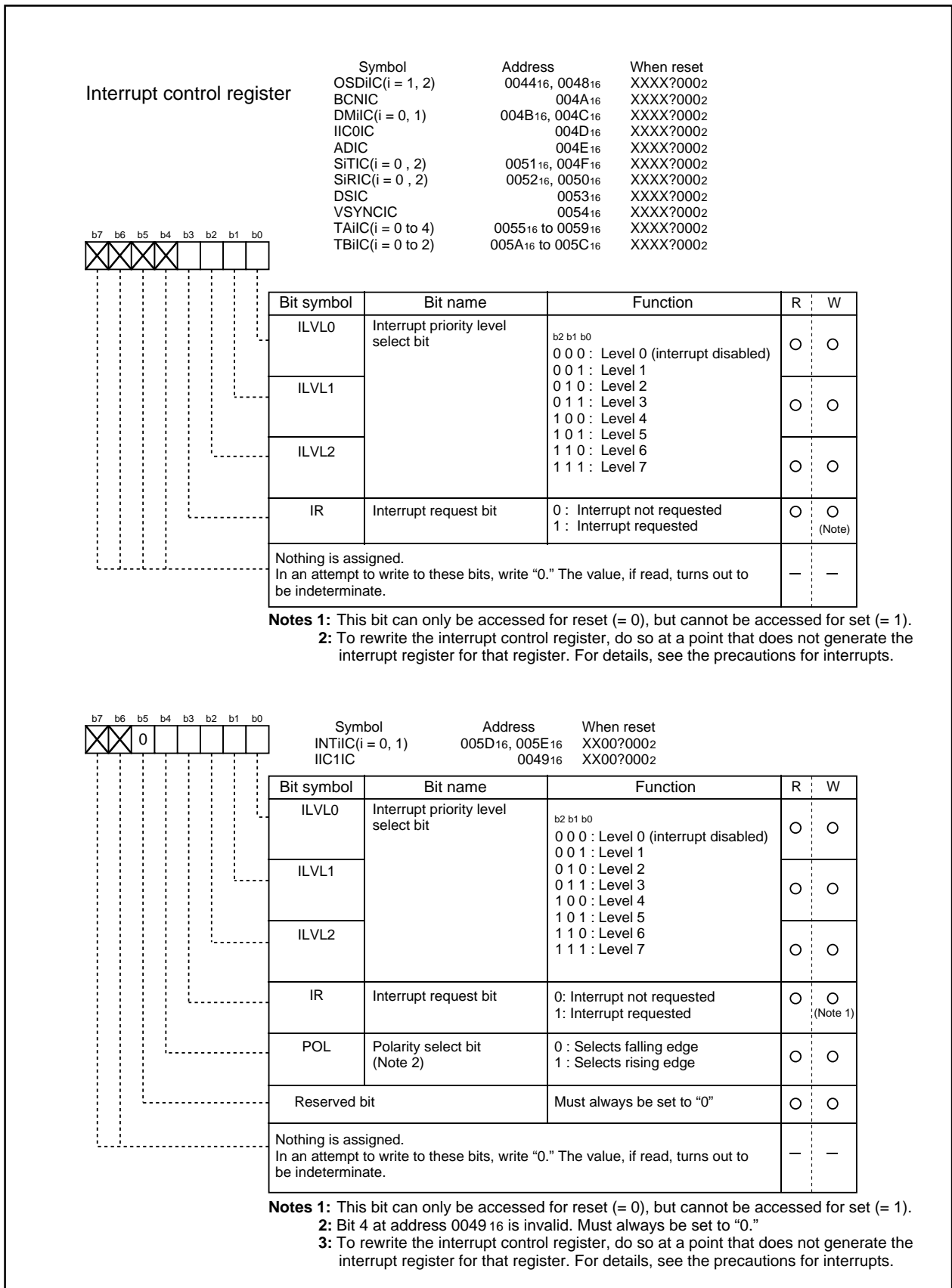


Figure 2.7.3 Interrupt control registers

2.7.6 Interrupt Enable Flag (I flag)

The interrupt enable flag (I flag) controls the enabling and disabling of maskable interrupts. Setting this flag to "1" enables all maskable interrupts; setting it to "0" disables all maskable interrupts. This flag is set to "0" after reset.

2.7.7 Interrupt Request Bit

The interrupt request bit is set to "1" by hardware when an interrupt is requested. After the interrupt is accepted and jumps to the corresponding interrupt vector, the request bit is set to "0" by hardware. The interrupt request bit can also be set to "0" by software. (Do not set this bit to "1").

2.7.8 Interrupt Priority Level Select Bit and Processor Interrupt Priority Level (IPL)

Set the interrupt priority level using the interrupt priority level select bit, which is one of the component bits of the interrupt control register. When an interrupt request occurs, the interrupt priority level is compared with the IPL. The interrupt is enabled only when the priority level of the interrupt is higher than the IPL. Therefore, setting the interrupt priority level to "0" disables the interrupt.

Table 2.7.3 shows the settings of interrupt priority levels and Table 2.7.4 shows the interrupt levels enabled, according to the consist of the IPL.

The following are conditions under which an interrupt is accepted:

- interrupt enable flag (I flag) = 1
- interrupt request bit = 1
- interrupt priority level > IPL

The interrupt enable flag (I flag), the interrupt request bit, the interrupt priority select bit, and the IPL are independent, and they are not affected by one another.

Table 2.7.3 Settings of interrupt priority levels


Interrupt priority level select bit	Interrupt priority level	Priority order
b2 b1 b0 0 0 0	Level 0 (interrupt disabled)	————
0 0 1	Level 1	Low  High
0 1 0	Level 2	
0 1 1	Level 3	
1 0 0	Level 4	
1 0 1	Level 5	
1 1 0	Level 6	
1 1 1	Level 7	

Table 2.7.4 Interrupt levels enabled according to the contents of the IPL

IPL	Enabled interrupt priority levels
IPL ₂ IPL ₁ IPL ₀ 0 0 0	Interrupt levels 1 and above are enabled
0 0 1	Interrupt levels 2 and above are enabled
0 1 0	Interrupt levels 3 and above are enabled
0 1 1	Interrupt levels 4 and above are enabled
1 0 0	Interrupt levels 5 and above are enabled
1 0 1	Interrupt levels 6 and above are enabled
1 1 0	Interrupt levels 7 and above are enabled
1 1 1	All maskable interrupts are disabled

2.7.9 Rewrite Interrupt Control Register

To rewrite the interrupt control register, do so at a point that does not generate the interrupt request for that register. If there is possibility of the interrupt request occur, rewrite the interrupt control register after the interrupt is disabled. The program examples are described as follow:

Example 1:

```
INT_SWITCH1:
  FCLR  I           ; Disable interrupts.
  AND.B #00h, 0055h ; Clear TA0IC int. priority level and int. request bit.
  NOP
  NOP
  FSET  I           ; Enable interrupts.
```

Example 2:

```
INT_SWITCH2:
  FCLR  I           ; Disable interrupts.
  AND.B #00h, 0055h ; Clear TA0IC int. priority level and int. request bit.
  MOV.W MEM, R0    ; Dummy read.
  FSET  I           ; Enable interrupts.
```

Example 3:

```
INT_SWITCH3:
  PUSHC FLG        ; Push Flag register onto stack
  FCLR  I           ; Disable interrupts.
  AND.B #00h, 0055h ; Clear TA0IC int. priority level and int. request bit.
  POPC  FLG        ; Enable interrupts.
```

The reason why two NOP instructions or dummy read are inserted before FSET I in Examples 1 and 2 is to prevent the interrupt enable flag I from being set before the interrupt control register is rewritten due to effects of the instruction queue.

When a instruction to rewrite the interrupt control register is executed but the interrupt is disabled, the interrupt request bit is not set sometimes even if the interrupt request for that register has been generated. This will depend on the instruction. If this creates problems, use the below instructions to change the register.

Instructions : AND, OR, BCLR, BSET

2.7.10 Interrupt Sequence

An interrupt sequence — what are performed over a period from the instant an interrupt is accepted to the instant the interrupt routine is executed — is described here.

If an interrupt occurs during execution of an instruction, the processor determines its priority when the execution of the instruction is completed, and transfers control to the interrupt sequence from the next cycle. If an interrupt occurs during execution of either the SMOVB, SMOVF, SSTR or RMPA instruction, the processor temporarily suspends the instruction being executed, and transfers control to the interrupt sequence.

In the interrupt sequence, the processor carries out the following in sequence given:

- (1) CPU gets the interrupt information (the interrupt number and interrupt request level) by reading address 00000₁₆.
- (2) Saves the content of the flag register (FLG) as it was immediately before the start of interrupt sequence in the temporary register (Note) within the CPU.
- (3) Sets the interrupt enable flag (I flag), the debug flag (D flag), and the stack pointer select flag (U flag) to "0" (the U flag, however does not change if the INT instruction, in software interrupt numbers 32 through 63, is executed)
- (4) Saves the content of the temporary register (Note 1) within the CPU in the stack area.
- (5) Saves the content of the program counter (PC) in the stack area.
- (6) Sets the interrupt priority level of the accepted instruction in the IPL.

After the interrupt sequence is completed, the processor resumes executing instructions from the first address of the interrupt routine.

Note: This register cannot be utilized by the user.

2.7.11 Interrupt Response Time

'Interrupt response time' is the period between the instant an interrupt occurs and the instant the first instruction within the interrupt routine has been executed. This time comprises the period from the occurrence of an interrupt to the completion of the instruction under execution at that moment (a) and the time required for executing the interrupt sequence (b). Figure 2.7.4 shows the interrupt response time.

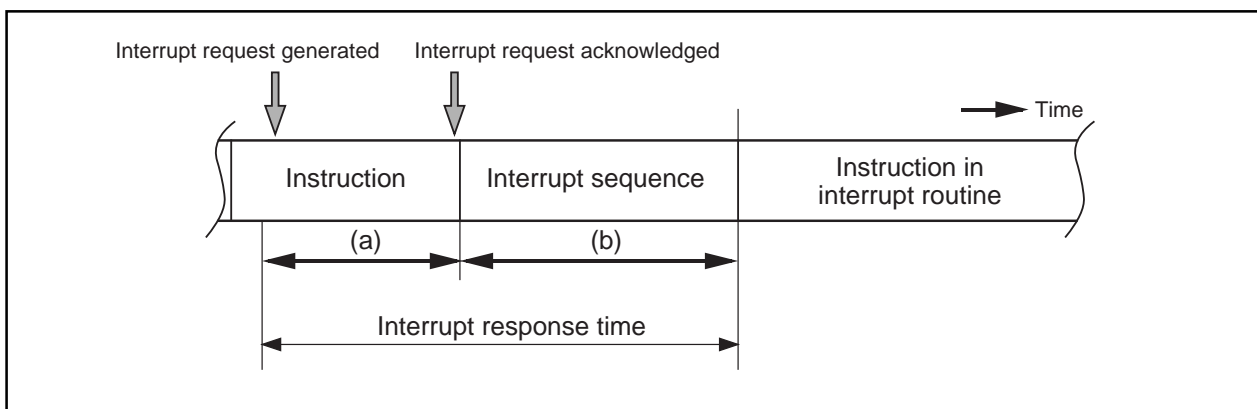


Figure 2.7.4 Interrupt response time

M306V5ME-XXXSP
M306V5EESP

SINGLE-CHIP 16-BIT CMOS MICROCOMPUTER with CLOSED CAPTION DECODER
and ON-SCREEN DISPLAY CONTROLLER

Time (a) is dependent on the instruction under execution. Thirty cycles is the maximum required for the DIVX instruction (without wait).

Time (b) is as shown in Table 2.7.5.

Table 2.7.5 Time required for executing the interrupt sequence

Interrupt vector address	Stack pointer (SP) value	16-Bit bus, without wait	8-Bit bus, without wait
Even	Even	18 cycles (Note 1)	20 cycles (Note 1)
Even	Odd	19 cycles (Note 1)	20 cycles (Note 1)
Odd (Note 2)	Even	19 cycles (Note 1)	20 cycles (Note 1)
Odd (Note 2)	Odd	20 cycles (Note 1)	20 cycles (Note 1)

Notes 1: Add 2 cycles in the case of a DBC interrupt; add 1 cycle in the case either of an address coincidence interrupt or of a single-step interrupt.

2: Locate an interrupt vector address in an even address, if possible.

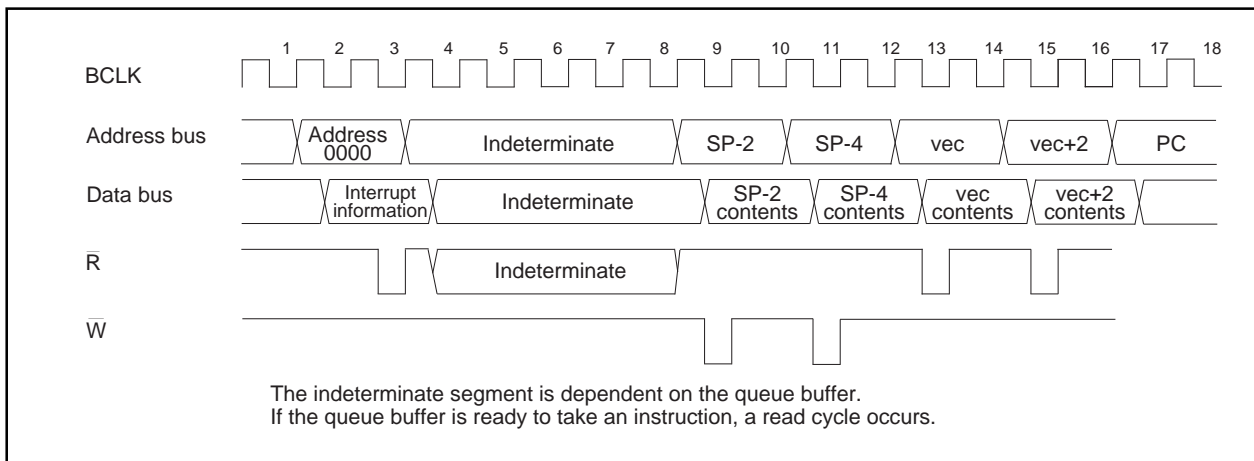


Figure 2.7.5 Time required for executing the interrupt sequence

2.7.12 Variation of IPL when Interrupt Request is Accepted

If an interrupt request is accepted, the interrupt priority level of the accepted interrupt is set in the IPL.

If an interrupt request, that does not have an interrupt priority level, is accepted, one of the values shown in Table 2.7.6 is set in the IPL.

Table 2.7.6 Relationship between interrupts without interrupt priority levels and IPL

Interrupt sources without priority levels	Value set in the IPL
Watchdog timer	7
Reset	0
Other	Not changed

2.7.13 Saving Registers

In the interrupt sequence, only the contents of the flag register (FLG) and that of the program counter (PC) are saved in the stack area.

First, the processor saves the four higher-order bits of the program counter, and 4 upper-order bits and 8 lower-order bits of the FLG register, 16 bits in total, in the stack area, then saves 16 lower-order bits of the program counter. Figure 2.7.6 shows the state of the stack as it was before the acceptance of the interrupt request, and the state the stack after the acceptance of the interrupt request.

Save other necessary registers at the beginning of the interrupt routine using software. Using the PUSHM instruction alone can save all the registers except the stack pointer (SP).

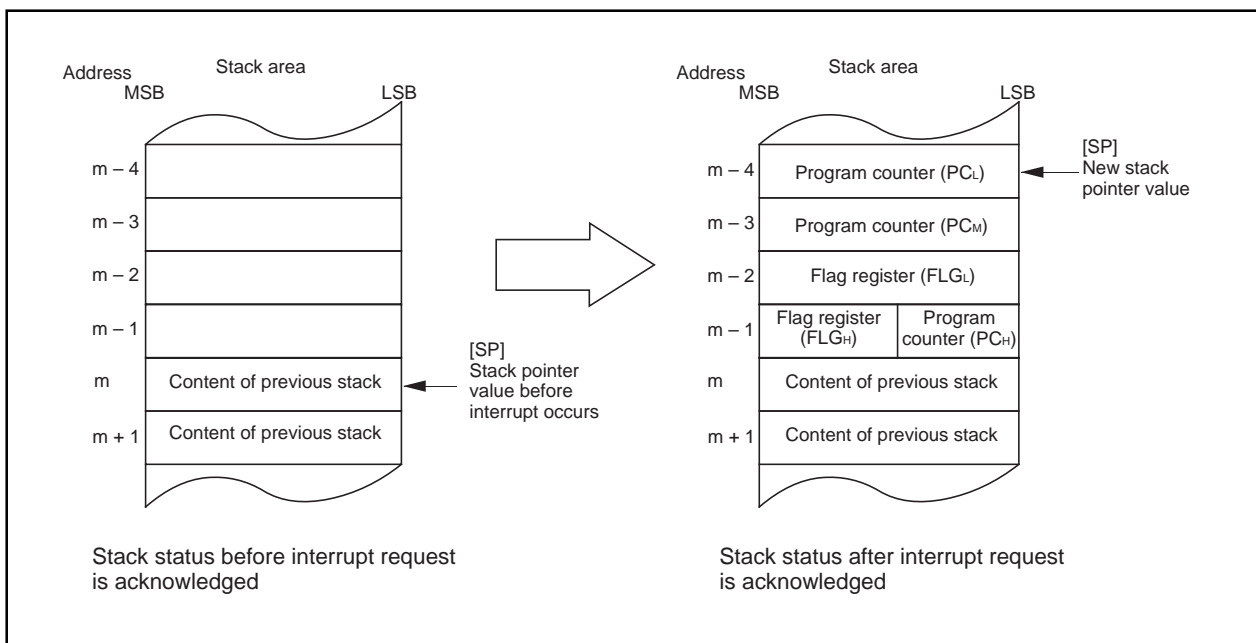


Figure 2.7.6 State of stack before and after acceptance of interrupt request

M306V5ME-XXXSP
M306V5EESP

SINGLE-CHIP 16-BIT CMOS MICROCOMPUTER with CLOSED CAPTION DECODER
and ON-SCREEN DISPLAY CONTROLLER

The operation of saving registers carried out in the interrupt sequence is dependent on whether the content of the stack pointer, at the time of acceptance of an interrupt request, is even or odd. If the content of the stack pointer (Note) is even, the content of the flag register (FLG) and the content of the program counter (PC) are saved, 16 bits at a time. If odd, their contents are saved in two steps, 8 bits at a time. Figure 2.7.7 shows the operation of the saving registers.

Note: Stack pointer indicated by U flag.

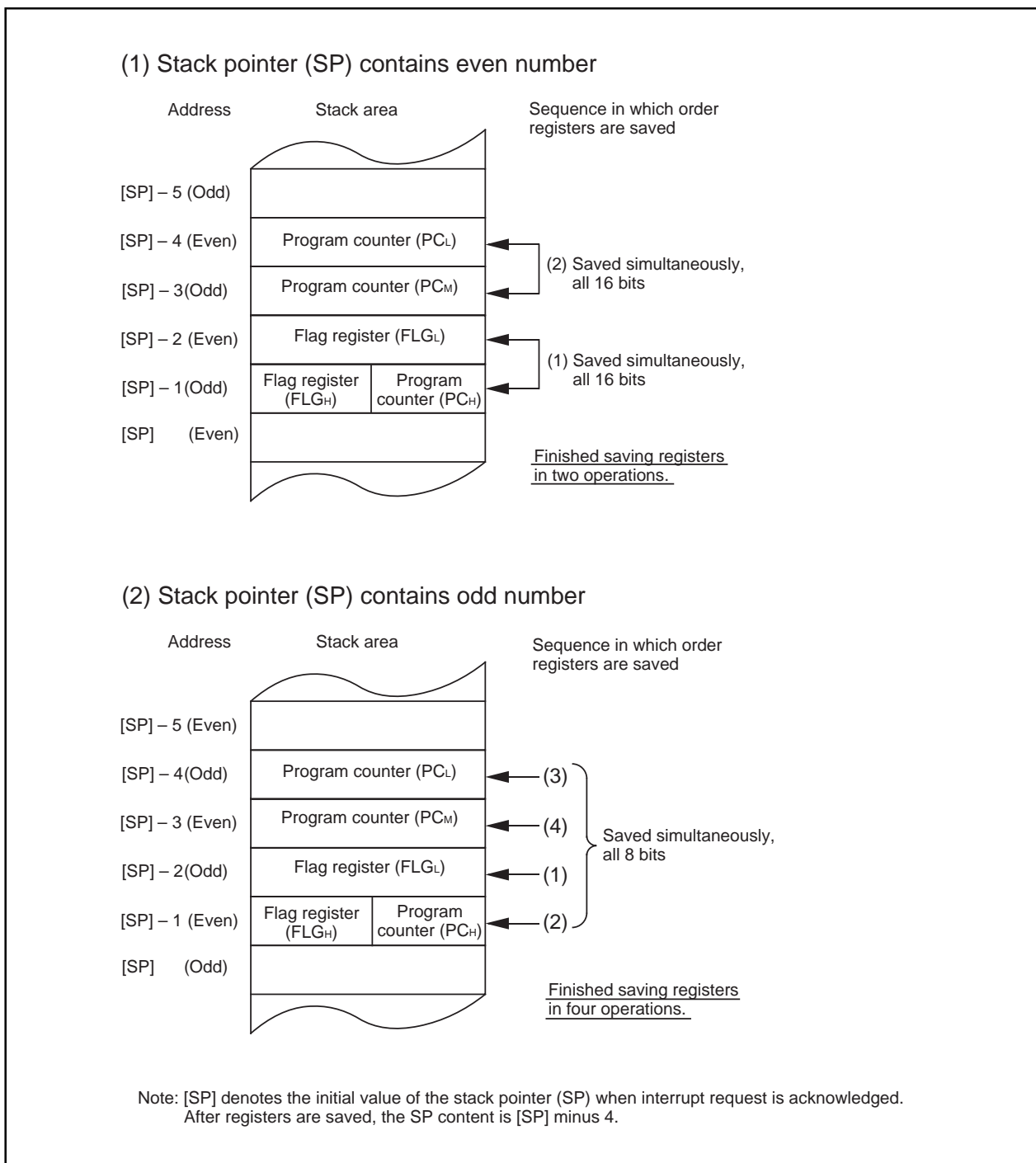


Figure 2.7.7 Operation of saving registers

2.7.14 Returning from an Interrupt Routine

Executing the REIT instruction at the end of an interrupt routine returns the contents of the flag register (FLG) as it was immediately before the start of interrupt sequence and the contents of the program counter (PC), both of which have been saved in the stack area. Then control returns to the program that was being executed before the acceptance of the interrupt request, so that the suspended process resumes.

Return the other registers saved by software within the interrupt routine using the POPM or similar instruction before executing the REIT instruction.

2.7.15 Interrupt Priority

If there are two or more interrupt requests occurring at a point in time within a single sampling (checking whether interrupt requests are made), the interrupt assigned a higher priority is accepted.

Assign an arbitrary priority to maskable interrupts (peripheral I/O interrupts) using the interrupt priority level select bit. If the same interrupt priority level is assigned, however, the interrupt assigned a higher hardware priority is accepted.

Priorities of the special interrupts, such as Reset (dealt with as an interrupt assigned the highest priority), watchdog timer interrupt, etc. are regulated by hardware.

Figure 2.7.8 shows the priorities of hardware interrupts.

Software interrupts are not affected by the interrupt priority. If an instruction is executed, control branches invariably to the interrupt routine.

2.7.16 Interrupt priority level resolution circuit

When two or more interrupts are generated simultaneously, this circuit selects the interrupt with the highest priority level.

Figure 2.7.9 shows the circuit that judges the interrupt priority level.

M306V5ME-XXXSP
M306V5EESP

SINGLE-CHIP 16-BIT CMOS MICROCOMPUTER with CLOSED CAPTION DECODER
and ON-SCREEN DISPLAY CONTROLLER

Reset > \overline{DBC} > Watchdog timer > Peripheral I/O > Single step > Address match

Figure 2.7.8 Hardware interrupts priorities

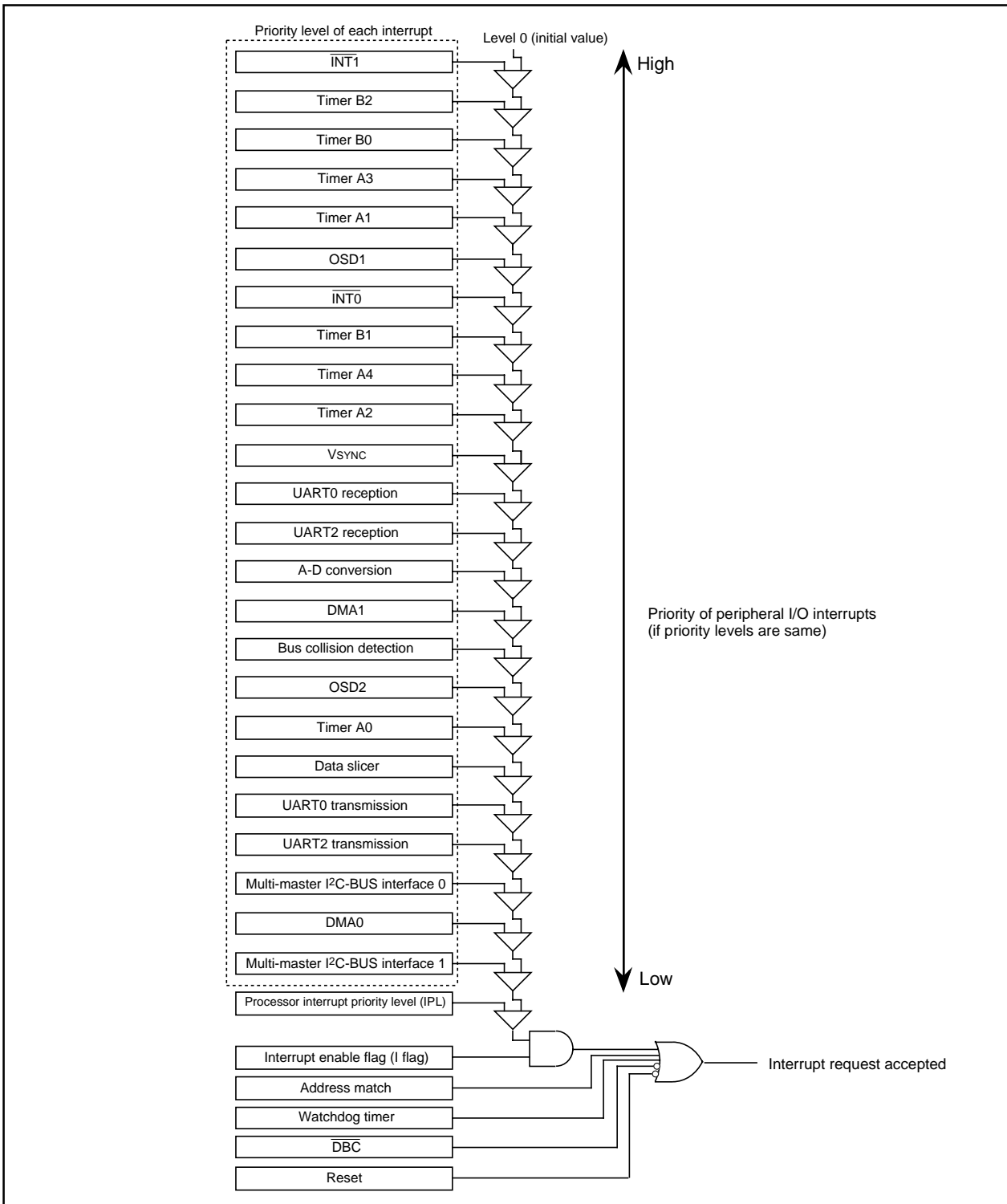


Figure 2.7.9 Maskable interrupts priorities (peripheral I/O interrupts)

2.7.17 INT Interrupt

$\overline{INT0}$ and $\overline{INT1}$ are triggered by the edges of external inputs. The edge polarity is selected using the polarity select bit.

As for external interrupt input, an interrupt can be generated both at the rising edge and at the falling edge by setting "1" in the INTi interrupt polarity switching bit of the interrupt request cause select register (035F₁₆). To select both edges, set the polarity switching bit of the corresponding interrupt control register to 'falling edge' ("0").

Figure 2.7.10 shows the Interrupt control reserved register, Figure 2.7.11 shows the Interrupt request cause select register.

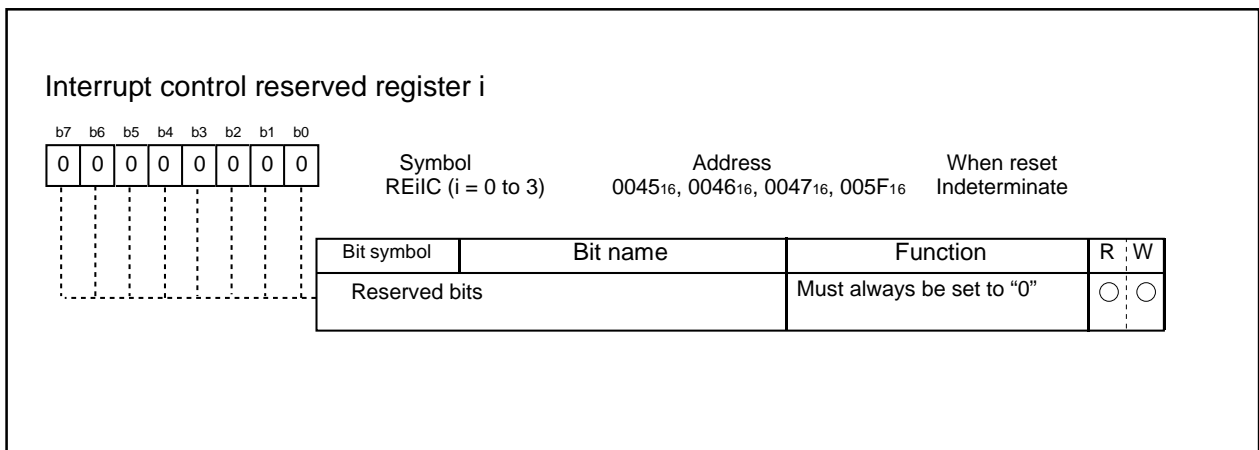


Figure 2.7.10 Interrupt control reserved register i (i = 0 to 3)

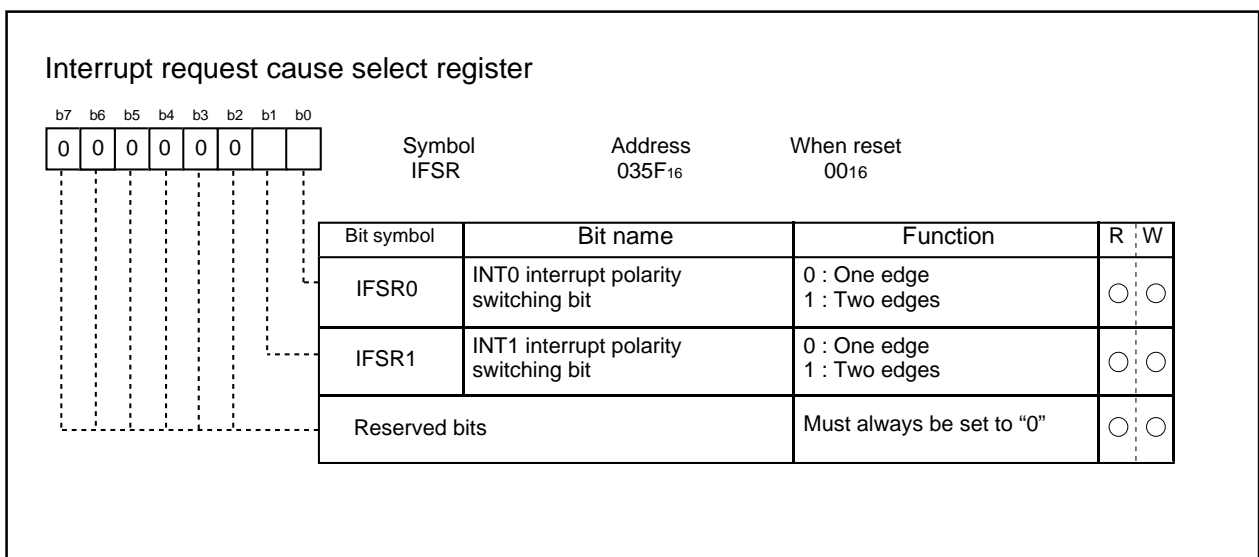


Figure 2.7.11 Interrupt request cause select register

2.7.18 Address Match Interrupt

An address match interrupt is generated when the address match interrupt address register contents match the program counter value. Two address match interrupts can be set, each of which can be enabled and disabled by an address match interrupt enable bit. Address match interrupts are not affected by the interrupt enable flag (I flag) and processor interrupt priority level (IPL). The value of the program counter (PC) for an address match interrupt varies depending on the instruction being executed. Figures 2.7.12 and 2.7.13 show the address match interrupt-related registers.

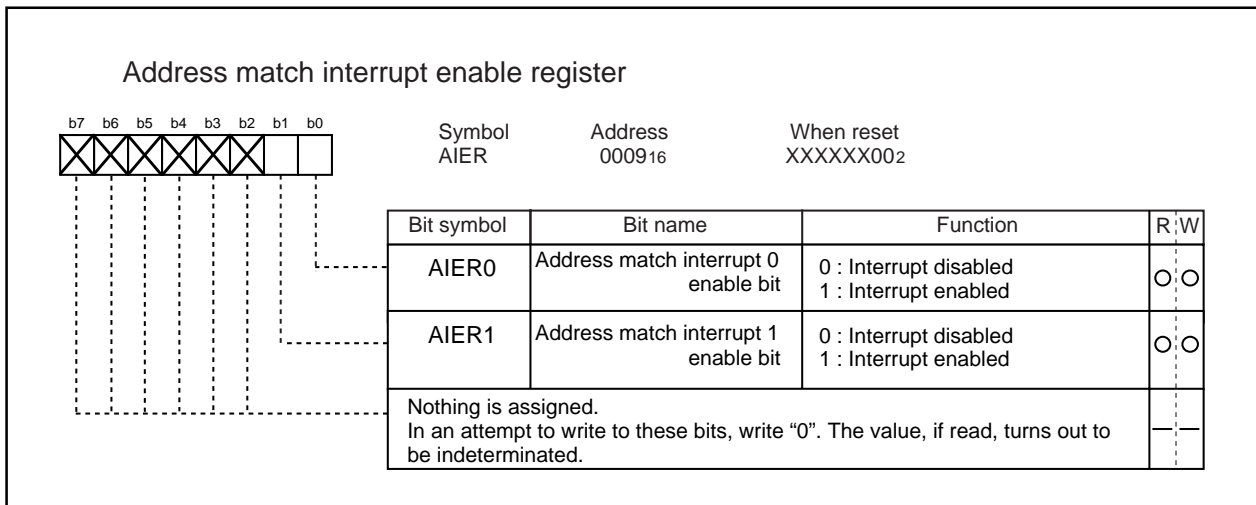


Figure 2.7.12 Address match interrupt enable register

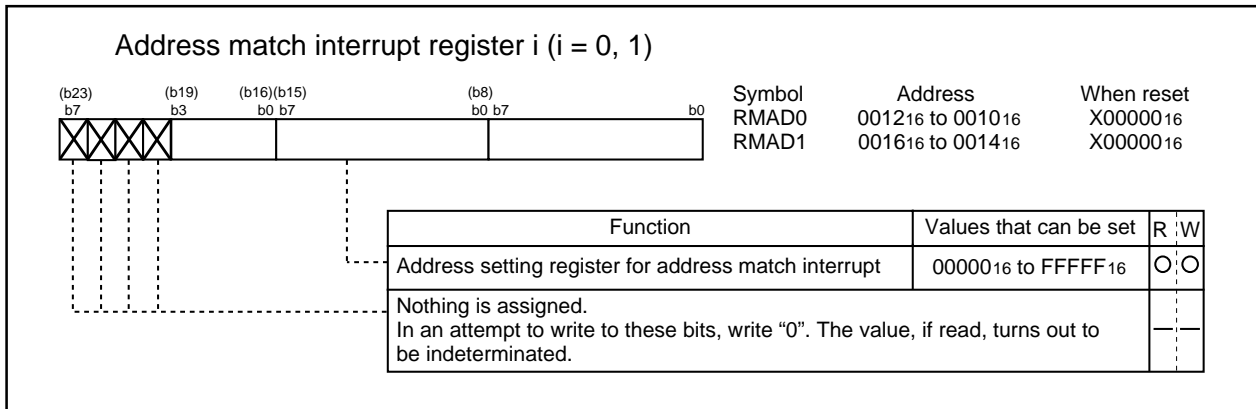


Figure 2.7.13 Address match interrupt register i (i = 0, 1)

2.7.19 Precautions for Interrupts

(1) Reading address 00000₁₆

- When maskable interrupt is occurred, CPU read the interrupt information (the interrupt number and interrupt request level) in the interrupt sequence.

The interrupt request bit of the certain interrupt written in address 00000₁₆ will then be set to "0".

Reading address 00000₁₆ by software sets enabled highest priority interrupt source request bit to "0".

Though the interrupt is generated, the interrupt routine may not be executed.

Do not read address 00000₁₆ by software.

(2) Setting the stack pointer

- The value of the stack pointer immediately after reset is initialized to 0000₁₆. Accepting an interrupt before setting a value in the stack pointer may become a factor of runaway. Be sure to set a value in the stack pointer before accepting an interrupt.

(3) External interrupt

- Either an "L" level or an "H" level of at least 250 ns width is necessary for the signal input to pins $\overline{\text{INT}}_0$ and $\overline{\text{INT}}_1$ regardless of the CPU operation clock.
- When the polarity of the $\overline{\text{INT}}_0$ and $\overline{\text{INT}}_1$ pins is changed, the interrupt request bit is sometimes set to "1". After changing the polarity, set the interrupt request bit to "0". Figure 2.7.14 shows the procedure for changing the $\overline{\text{INT}}$ interrupt generate factor.

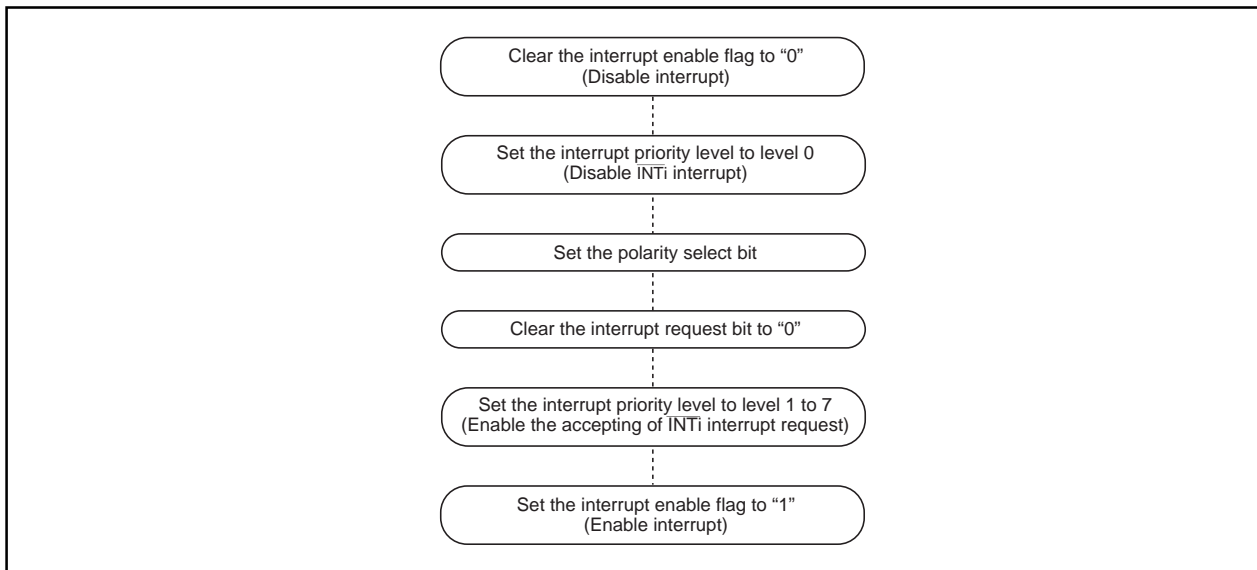


Figure 2.7.14 Switching condition of INT interrupt request

(4) Rewrite interrupt control register

- To rewrite the interrupt control register, do so at a point that does not generate the interrupt request for that register. If there is possibility of the interrupt request occur, rewrite the interrupt control register after the interrupt is disabled. The program examples are described as follow:

Example 1:

```

INT_SWITCH1:
  FCLR  I           ; Disable interrupts.
  AND.B #00h, 0055h ; Clear TA0IC int. priority level and int. request bit.
  NOP
  NOP
  FSET  I           ; Enable interrupts.

```

Example 2:

```

INT_SWITCH2:
  FCLR  I           ; Disable interrupts.
  AND.B #00h, 0055h ; Clear TA0IC int. priority level and int. request bit.
  MOV.W MEM, R0    ; Dummy read.
  FSET  I           ; Enable interrupts.

```

Example 3:

```

INT_SWITCH3:
  PUSHC FLG       ; Push Flag register onto stack
  FCLR  I           ; Disable interrupts.
  AND.B #00h, 0055h ; Clear TA0IC int. priority level and int. request bit.
  POPC  FLG       ; Enable interrupts.

```

The reason why two NOP instructions or dummy read are inserted before FSET I in Examples 1 and 2 is to prevent the interrupt enable flag I from being set before the interrupt control register is rewritten due to effects of the instruction queue.

- When a instruction to rewrite the interrupt control register is executed but the interrupt is disabled, the interrupt request bit is not set sometimes even if the interrupt request for that register has been generated. This will depend on the instruction. If this creates problems, use the below instructions to change the register.

Instructions : AND, OR, BCLR, BSET

2.8 Watchdog Timer

The watchdog timer has the function of detecting when the program is out of control. The watchdog timer is a 15-bit counter which down-counts the clock derived by dividing the BCLK using the prescaler. A watchdog timer interrupt is generated when an underflow occurs in the watchdog timer. Bit 7 of the watchdog timer control register (address 000F₁₆) selects the prescaler division ratio (by 16 or by 128). Thus the watchdog timer's period can be calculated as given below. The watchdog timer's period is, however, subject to an error due to the pre-scaler.

$$\text{Watchdog timer period} = \frac{\text{pre-scaler dividing ratio (16 or 128)} \times \text{watchdog timer count (32768)}}{\text{BCLK}}$$

For example suppose that BCLK runs at 10 MHz and that 16 has been chosen for the dividing ratio of the pre-scaler, then the watchdog timer's period becomes approximately 52.4 ms.

The watchdog timer is initialized by writing to the watchdog timer start register (address 000E₁₆) and when a watchdog timer interrupt request is generated. The prescaler is initialized only when the microcomputer is reset. After a reset is cancelled, the watchdog timer and prescaler are both stopped. The count is started by writing to the watchdog timer start register (address 000E₁₆).

Figure 2.8.1 shows the block diagram of the watchdog timer. Figure 2.8.2 shows the watchdog timer control register and Figure 2.8.3 shows the watchdog timer start register.

M306V5ME-XXXSP
M306V5EESP

SINGLE-CHIP 16-BIT CMOS MICROCOMPUTER with CLOSED CAPTION DECODER
and ON-SCREEN DISPLAY CONTROLLER

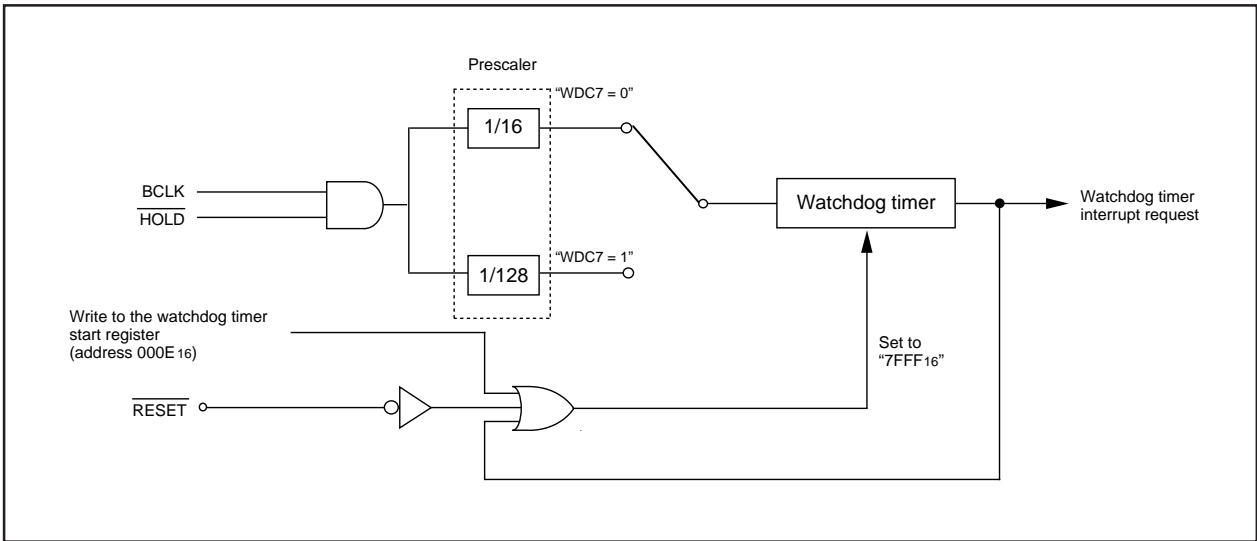


Figure 2.8.1 Block diagram of watchdog timer

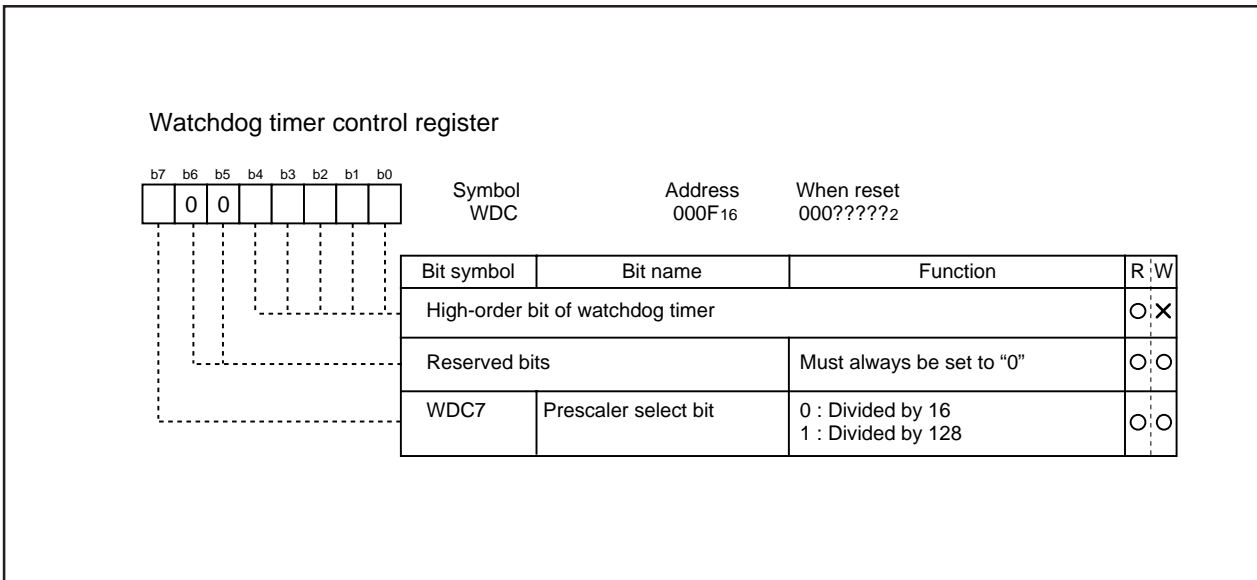


Figure 2.8.2 Watchdog timer control register

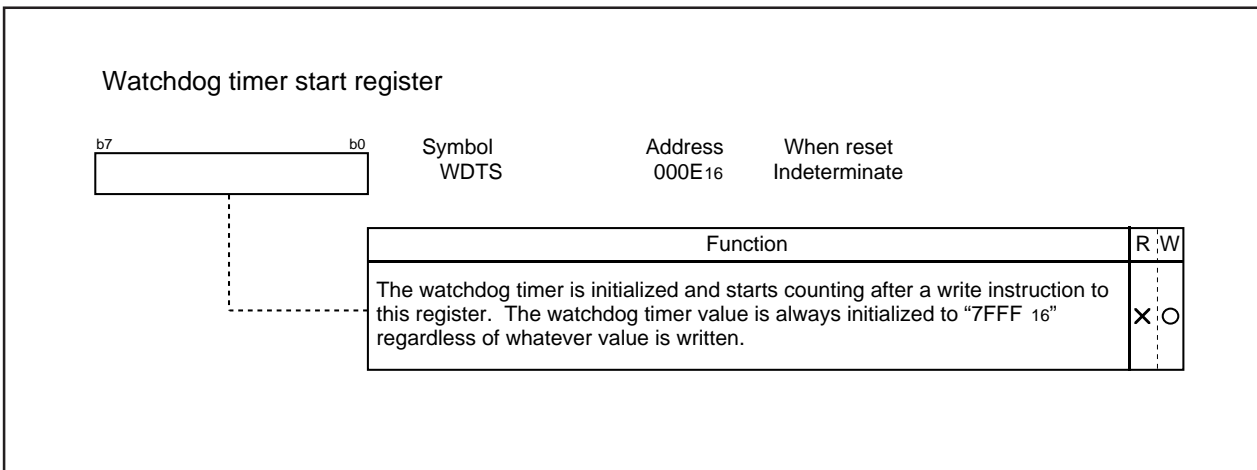


Figure 2.8.3 Watchdog timer start register

M306V5ME-XXXSP
M306V5EESP

SINGLE-CHIP 16-BIT CMOS MICROCOMPUTER with CLOSED CAPTION DECODER
and ON-SCREEN DISPLAY CONTROLLER

2.9 DMAC

This microcomputer has two DMAC (direct memory access controller) channels that allow data to be sent to memory without using the CPU. DMAC shares the same data bus with the CPU. The DMAC is given a higher right of using the bus than the CPU, which leads to working the cycle stealing method. On this account, the operation from the occurrence of DMA transfer request signal to the completion of 1-word (16-bit) or 1-byte (8-bit) data transfer can be performed at high speed. Figure 2.9.1 shows the block diagram of the DMAC. Table 2.9.1 shows the DMAC specifications. Figures 2.9.2 to 2.9.7 show the registers used by the DMAC.

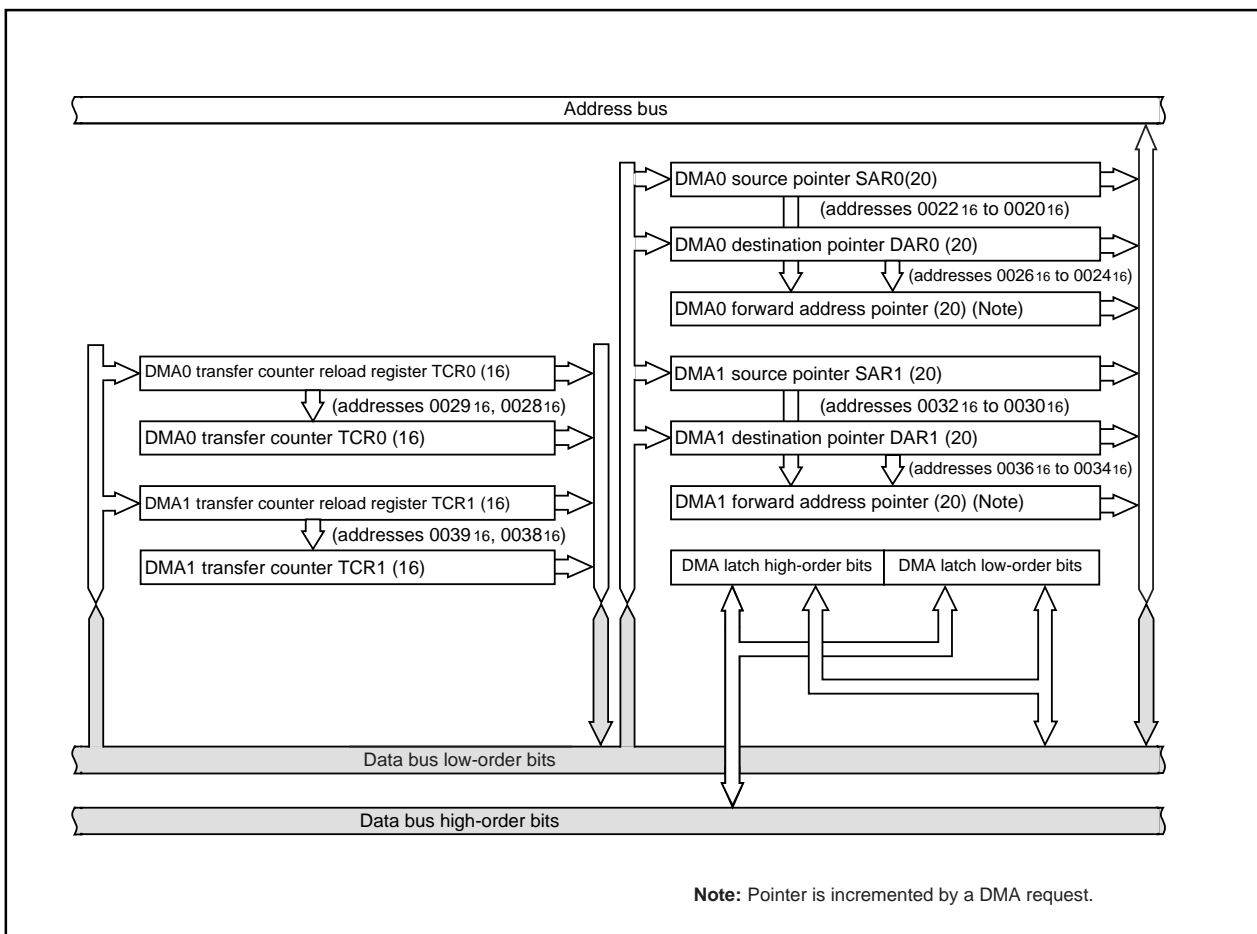


Figure 2.9.1 Block diagram of DMAC

Either a write signal to the software DMA request bit or an interrupt request signal is used as a DMA transfer request signal. But the DMA transfer is affected neither by the interrupt enable flag (I flag) nor by the interrupt priority level. The DMA transfer doesn't affect any interrupts either.

If the DMAC is active (the DMA enable bit is set to 1), data transfer starts every time a DMA transfer request signal occurs. If the cycle of the occurrences of DMA transfer request signals is higher than the DMA transfer cycle, there can be instances in which the number of transfer requests doesn't agree with the number of transfers. For details, see the description of the DMA request bit.

M306V5ME-XXXSP

M306V5EESP

SINGLE-CHIP 16-BIT CMOS MICROCOMPUTER with CLOSED CAPTION DECODER
and ON-SCREEN DISPLAY CONTROLLER

Table 2.9.1 DMAC specifications

Item	Specification
No. of channels	2 (cycle steal method)
Transfer memory space	<ul style="list-style-type: none"> From any address in the 1M bytes space to a fixed address From a fixed address to any address in the 1M bytes space From a fixed address to a fixed address (Note that DMA-related registers [0020 ₁₆ to 003F ₁₆] cannot be accessed)
Maximum No. of bytes transferred	128K bytes (with 16-bit transfers) or 64K bytes (with 8-bit transfers)
DMA request factors (Note)	Falling edge or both edge of pin \overline{INT}_0 Falling edge of pin \overline{INT}_1 Timer A0 to timer A4 interrupt requests Timer B0 to timer B2 interrupt requests UART0 transmission and reception interrupt requests UART2 transmission and reception interrupt requests Multi-master I ² C-BUS interface 0 interrupt request Multi-master I ² C-BUS interface 1 interrupt request A-D conversion interrupt request OSD1 and OSD2 interrupt requests Data slicer interrupt request V _{SYNC} interrupt request Software triggers
Channel priority	DMA0 takes precedence if DMA0 and DMA1 requests are generated simultaneously
Transfer unit	8 bits or 16 bits
Transfer address direction	forward/fixed (forward direction cannot be specified for both source and destination simultaneously)
Transfer mode	<ul style="list-style-type: none"> Single transfer mode After the transfer counter underflows, the DMA enable bit turns to "0", and the DMAC turns inactive Repeat transfer mode After the transfer counter underflows, the value of the transfer counter reload register is reloaded to the transfer counter. The DMAC remains active unless a "0" is written to the DMA enable bit.
DMA interrupt request generation timing	When an underflow occurs in the transfer counter
Active	When the DMA enable bit is set to "1", the DMAC is active. When the DMAC is active, data transfer starts every time a DMA transfer request signal occurs.
Inactive	<ul style="list-style-type: none"> When the DMA enable bit is set to "0", the DMAC is inactive. After the transfer counter underflows in single transfer mode
Forward address pointer and reload timing for transfer counter	At the time of starting data transfer immediately after turning the DMAC active, the value of one of source pointer and destination pointer - the one specified for the forward direction - is reloaded to the forward direction address pointer, and the value of the transfer counter reload register is reloaded to the transfer counter.
Writing to register	Registers specified for forward direction transfer are always write enabled. Registers specified for fixed address transfer are write-enabled when the DMA enable bit is "0".
Reading the register	Can be read at any time. However, when the DMA enable bit is "1", reading the register set up as the forward register is the same as reading the value of the forward address pointer.

Note: DMA transfer is not effective to any interrupt. DMA transfer is affected neither by the interrupt enable flag (I flag) nor by the interrupt priority level.

M306V5ME-XXXSP
M306V5EESP

SINGLE-CHIP 16-BIT CMOS MICROCOMPUTER with CLOSED CAPTION DECODER
and ON-SCREEN DISPLAY CONTROLLER

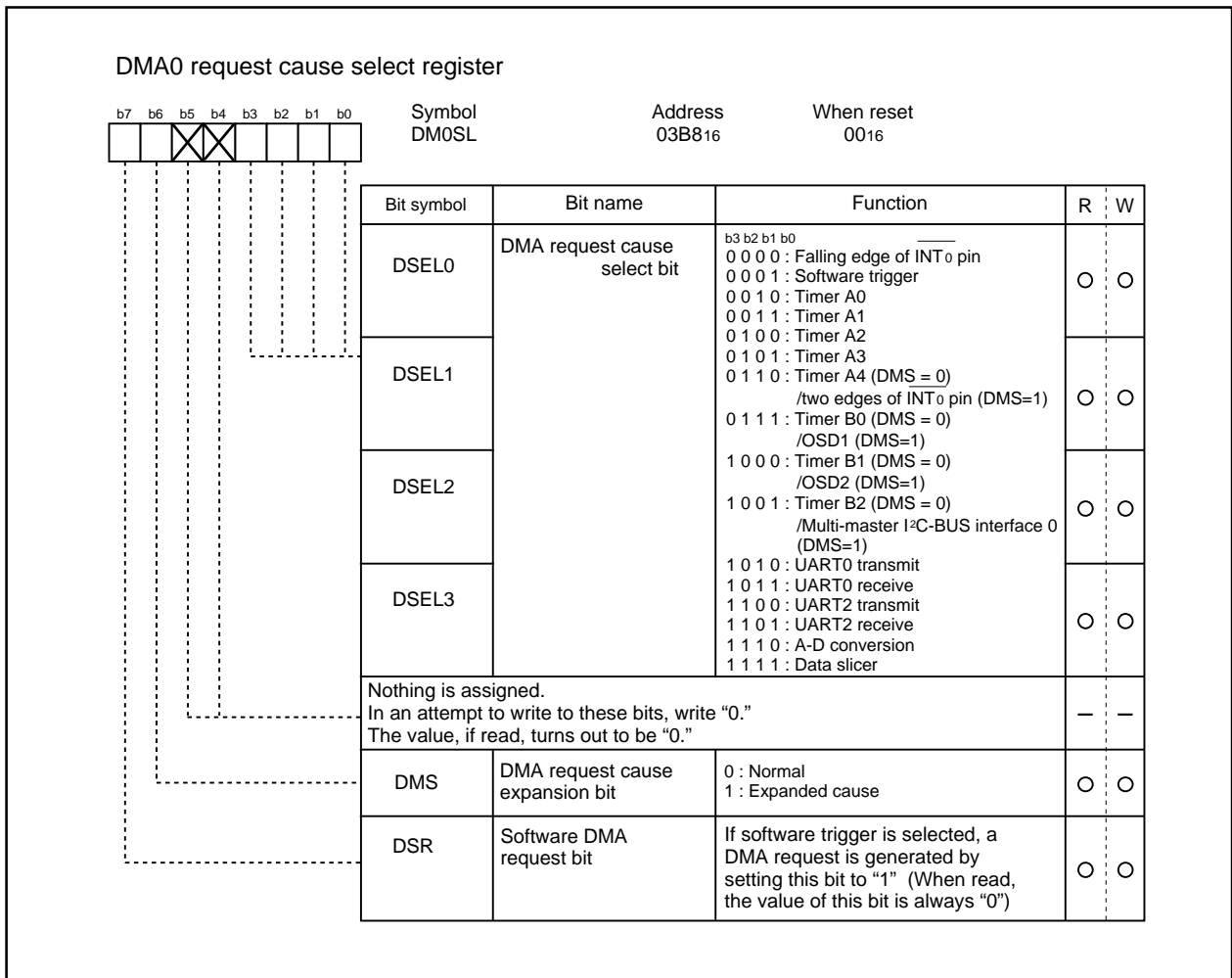


Figure 2.9.2 DMA0 request cause select register

M306V5ME-XXXSP
M306V5EESP

SINGLE-CHIP 16-BIT CMOS MICROCOMPUTER with CLOSED CAPTION DECODER
and ON-SCREEN DISPLAY CONTROLLER

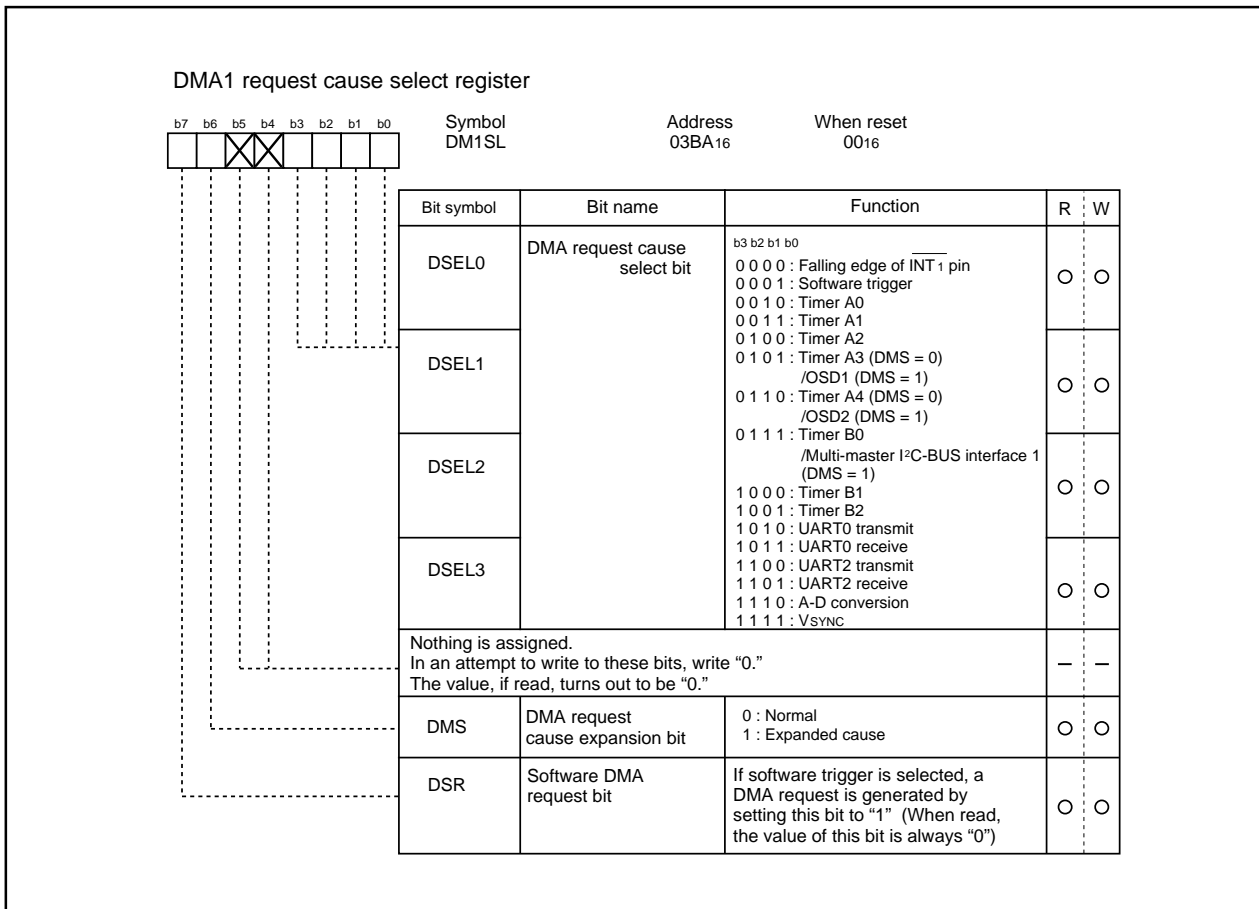


Figure 2.9.3 DMA1 request cause select register

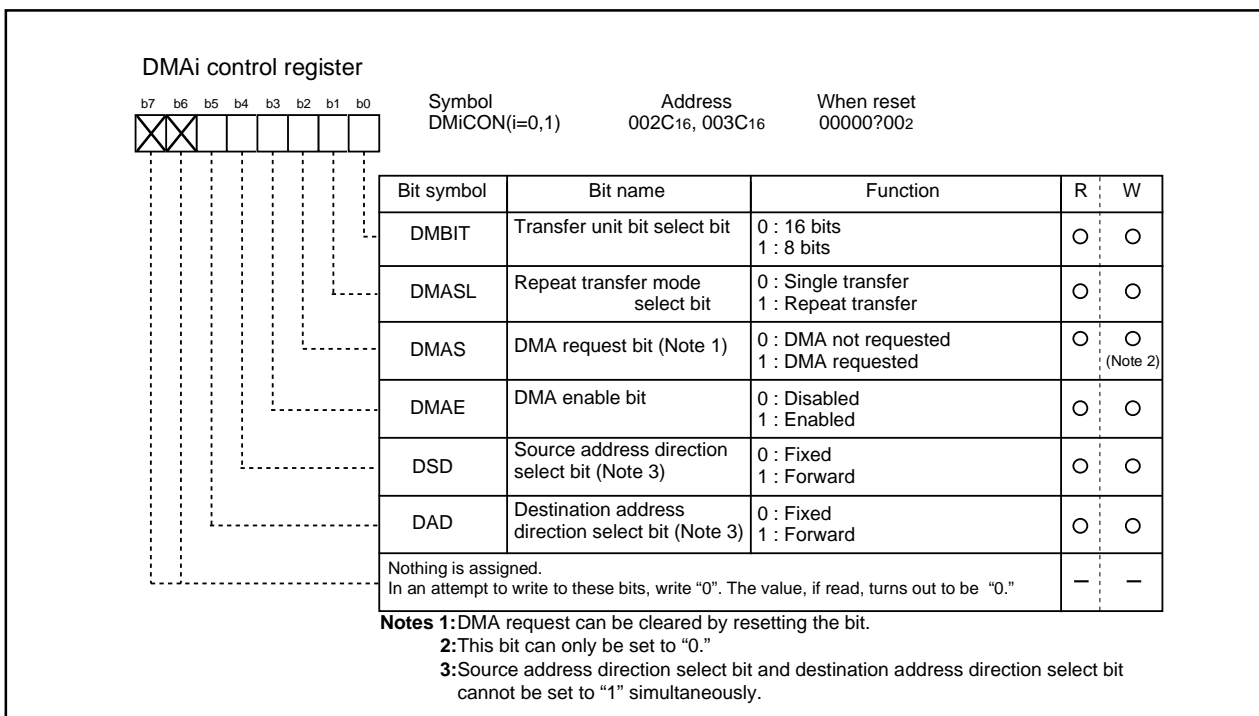


Figure 2.9.4 DMA_i control register (i = 0, 1)

M306V5ME-XXXSP
M306V5EESP

SINGLE-CHIP 16-BIT CMOS MICROCOMPUTER with CLOSED CAPTION DECODER
and ON-SCREEN DISPLAY CONTROLLER

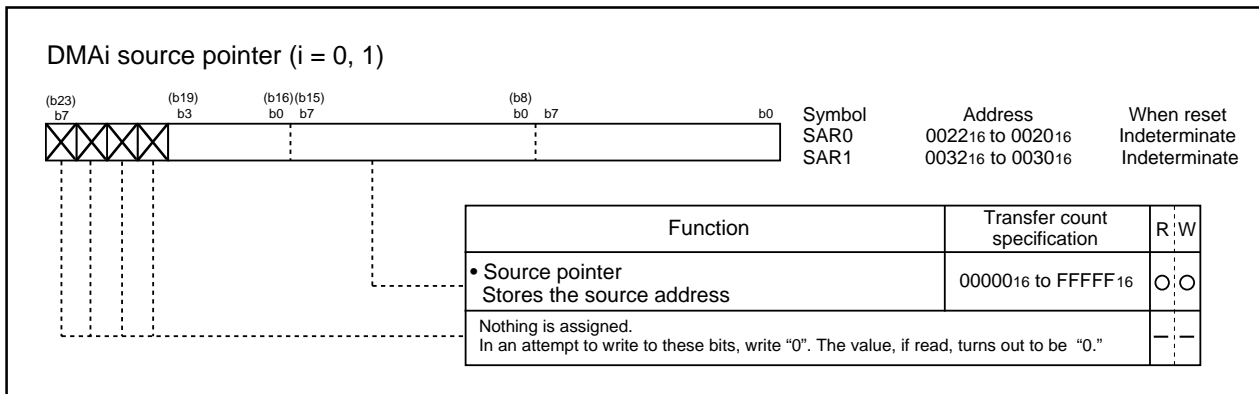


Figure 2.9.5 DMA_i source pointer (i = 0, 1)

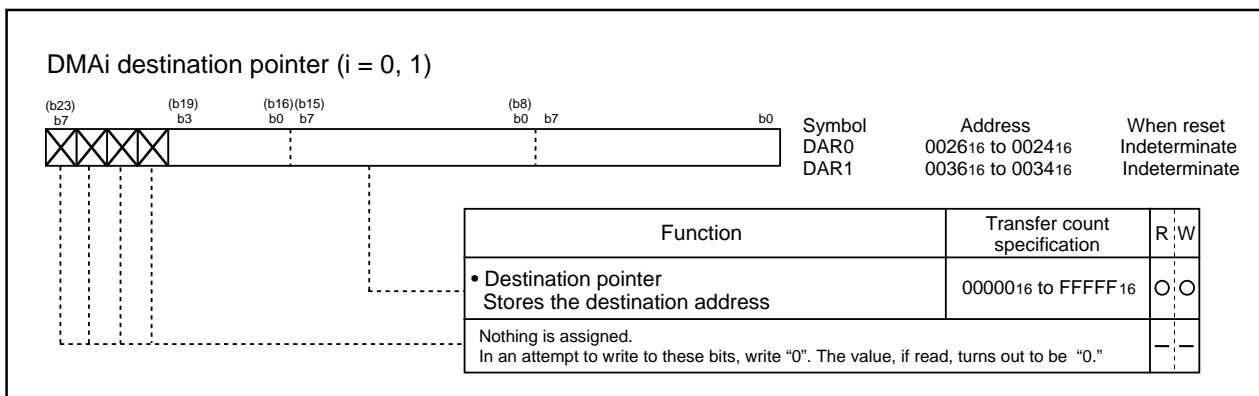


Figure 2.9.6 DMA_i destination pointer (i = 0, 1)

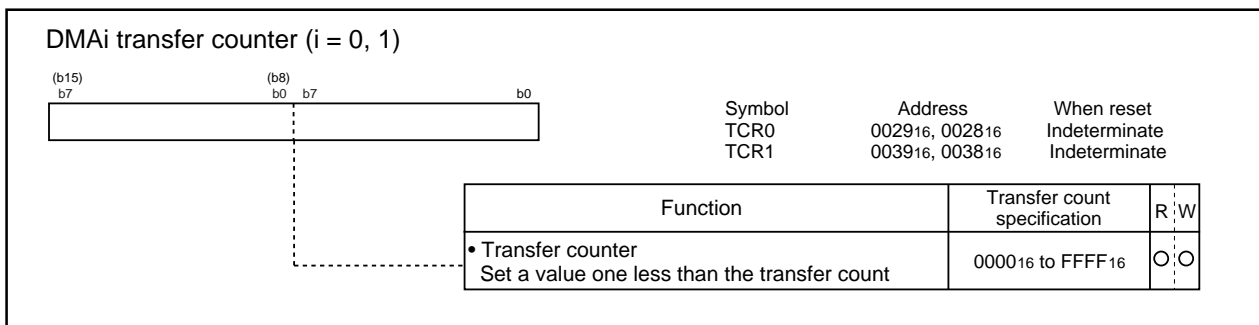


Figure 2.9.7 DMA_i transfer counter (i = 0, 1)

2.9.1 Transfer Cycle

The transfer cycle consists of the bus cycle in which data is read from memory or from the SFR area (source read) and the bus cycle in which the data is written to memory or to the SFR area (destination write). The number of read and write bus cycles depends on the source and destination addresses. Also, the bus cycle itself is longer when software waits are inserted.

(1) Effect of source and destination addresses

When 16-bit data is transferred on a 16-bit data bus, and the source and destination both start at odd addresses, there are one more source read cycle and destination write cycle than when the source and destination both start at even addresses.

(2) Effect of software wait

When the SFR area or a memory area with a software wait is accessed, the number of cycles is increased for the wait by 1 bus cycle. The length of the cycle is determined by BCLK.

Figure 2.9.8 shows the example of the transfer cycles for a source read. For convenience, the destination write cycle is shown as one cycle and the source read cycles for the different conditions are shown. In reality, the destination write cycle is subject to the same conditions as the source read cycle, with the transfer cycle changing accordingly. When calculating the transfer cycle, remember to apply the respective conditions to both the destination write cycle and the source read cycle.

M306V5ME-XXXSP
M306V5EESP

SINGLE-CHIP 16-BIT CMOS MICROCOMPUTER with CLOSED CAPTION DECODER
and ON-SCREEN DISPLAY CONTROLLER

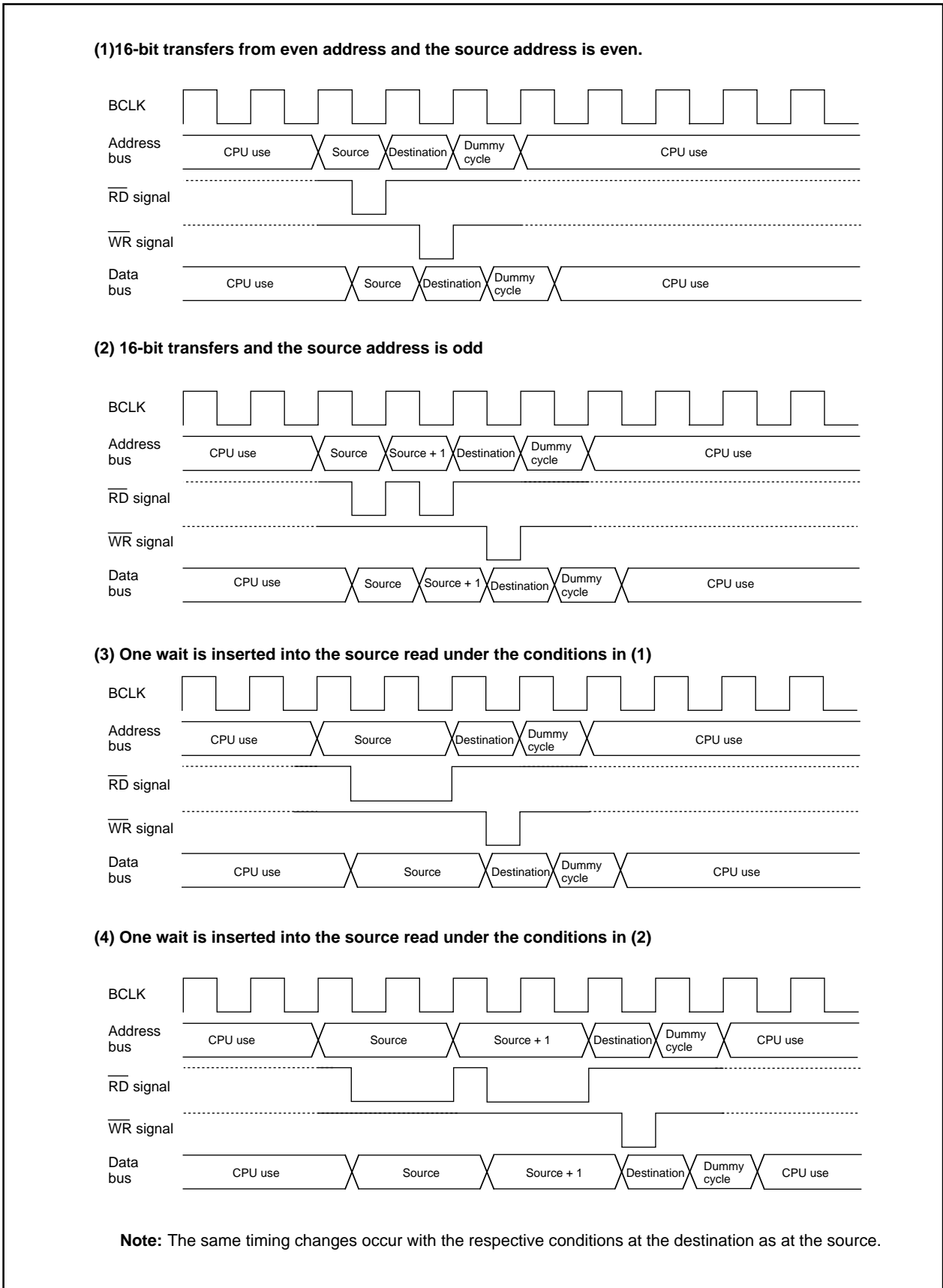


Figure 2.9.8 Example of the transfer cycles for a source read

M306V5ME-XXXSP
M306V5EESP

SINGLE-CHIP 16-BIT CMOS MICROCOMPUTER with CLOSED CAPTION DECODER
and ON-SCREEN DISPLAY CONTROLLER

2.9.2 DMAC Transfer Cycles

Any combination of even or odd transfer read and write addresses is possible. Table 2.9.2 shows the number of DMAC transfer cycles.

The number of DMAC transfer cycles can be calculated as follows:

$$\text{No. of transfer cycles per transfer unit} = \text{No. of read cycles} \times j + \text{No. of write cycles} \times k$$

Table 2.9.2 No. of DMAC transfer cycles

Transfer unit	Bus width	Access address	Single-chip mode	
			No. of read cycles	No. of write cycles
8-bit transfers (DMBIT= "1")	16-bit	Even	1	1
		Odd	1	1
16-bit transfers (DMBIT= "0")	16-bit	Even	1	1
		Odd	2	2

Coefficient j, k

Internal memory		
Internal ROM/RAM	Internal ROM/RAM	SFR area /OSD RAM
No wait	With wait	No wait
1	2	2

2.9.3 DMA Enable Bit

Setting the DMA enable bit to 1 makes the DMAC active. The DMAC carries out the following operations at the time data transfer starts immediately after DMAC is turned active.

- (1) Reloads the value of one of the source pointer and the destination pointer - the one specified for the forward direction - to the forward direction address pointer.
- (2) Reloads the value of the transfer counter reload register to the transfer counter.

Thus overwriting 1 to the DMA enable bit with the DMAC being active carries out the operations given above, so the DMAC operates again from the initial state at the instant 1 is overwritten to the DMA enable bit.

2.9.4 DMA Request Bit

The DMAC can generate a DMA transfer request signal triggered by a factor chosen in advance out of DMA request factors for each channel.

DMA request factors include the following.

* Factors effected by using the interrupt request signals from the built-in peripheral functions and software DMA factors (internal factors) effected by a program.

* External factors effected by utilizing the input from external interrupt signals.

For the selection of DMA request factors, see the descriptions of the DMA_i factor selection register.

The DMA request bit turns to 1 if the DMA transfer request signal occurs regardless of the DMAC's state (regardless of whether the DMA enable bit is set 1 or to 0). It turns to 0 immediately before data transfer starts.

In addition, it can be set to 0 by use of a program, but cannot be set to 1.

There can be instances in which a change in DMA request factor selection bit causes the DMA request bit to turn to 1. So be sure to set the DMA request bit to 0 after the DMA request factor selection bit is changed.

The DMA request bit turns to 1 if a DMA transfer request signal occurs, and turns to 0 immediately before data transfer starts. If the DMAC is active, data transfer starts immediately, so the value of the DMA request bit, if read by use of a program, turns out to be 0 in most cases. To examine whether the DMAC is active, read the DMA enable bit.

Here follows the timing of changes in the DMA request bit.

(1) Internal factors

Except the DMA request factors triggered by software, the timing for the DMA request bit to turn to 1 due to an internal factor is the same as the timing for the interrupt request bit of the interrupt control register to turn to 1 due to several factors.

Turning the DMA request bit to 1 due to an internal factor is timed to be effected immediately before the transfer starts.

(2) External factors

An external factor is a factor caused to occur by the leading edge of input from the $\overline{\text{INT}}_i$ pin (*i* depends on which DMAC channel is used).

Selecting the $\overline{\text{INT}}_i$ pins as external factors using the DMA request factor selection bit causes input from these pins to become the DMA transfer request signals.

The timing for the DMA request bit to turn to 1 when an external factor is selected synchronizes with the signal's edge applicable to the function specified by the DMA request factor selection bit (synchronizes with the trailing edge of the input signal to each $\overline{\text{INTi}}$ pin, for example).

With an external factor selected, the DMA request bit is timed to turn to 0 immediately before data transfer starts similarly to the state in which an internal factor is selected.

(3) The priorities of channels and DMA transfer timing

If a DMA transfer request signal falls on a single sampling cycle (a sampling cycle means one period from the leading edge to the trailing edge of BCLK), the DMA request bits of applicable channels concurrently turn to 1. If the channels are active at that moment, DMA0 is given a high priority to start data transfer. When DMA0 finishes data transfer, it gives the bus right to the CPU. When the CPU finishes single bus access, then DMA1 starts data transfer and gives the bus right to the CPU. Figure 2.9.9 illustrates these operations.

An example in which DMA transfer is carried out in minimum cycles at the time when DMA transfer request signals due to external factors concurrently occur.

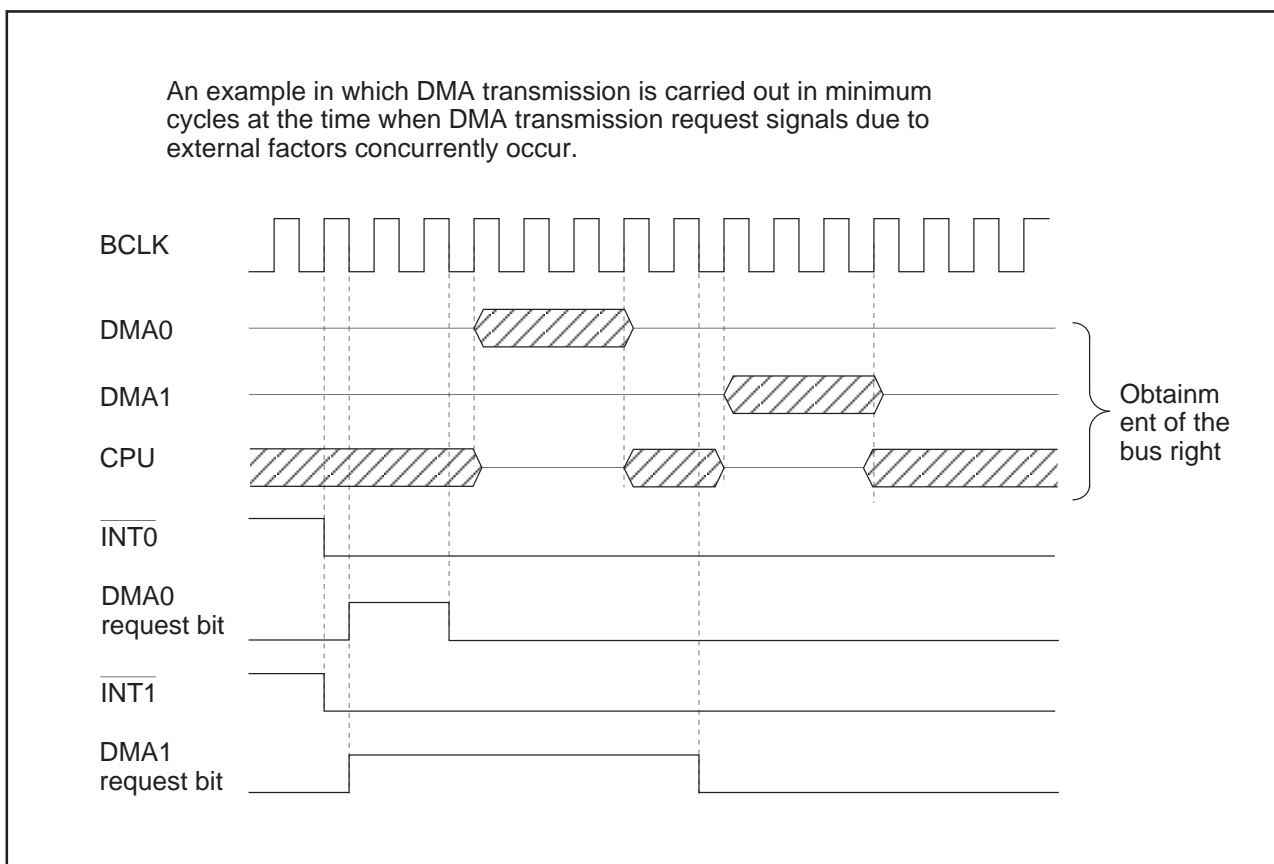


Figure 2.9.9 An example of DMA transfer effected by external factors

2.10 Timer

There are eight 16-bit timers. These timers can be classified by function into timers A (five) and timers B (three). All these timers function independently. Figures 2.10.1 and 2.10.2 show the block diagram of timers.

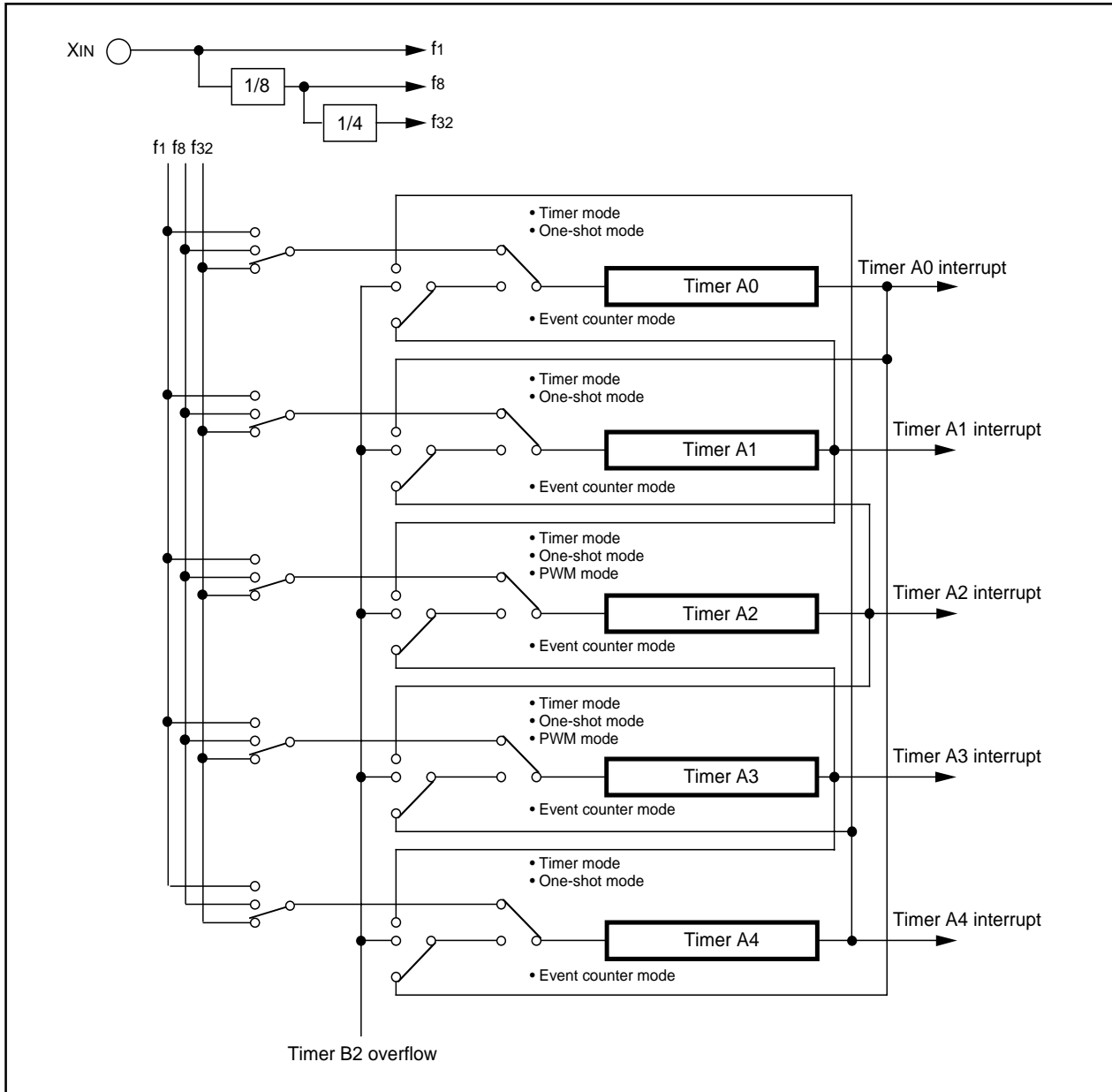


Figure 2.10.1 Timer A block diagram

M306V5ME-XXXSP
M306V5EESP

SINGLE-CHIP 16-BIT CMOS MICROCOMPUTER with CLOSED CAPTION DECODER
and ON-SCREEN DISPLAY CONTROLLER

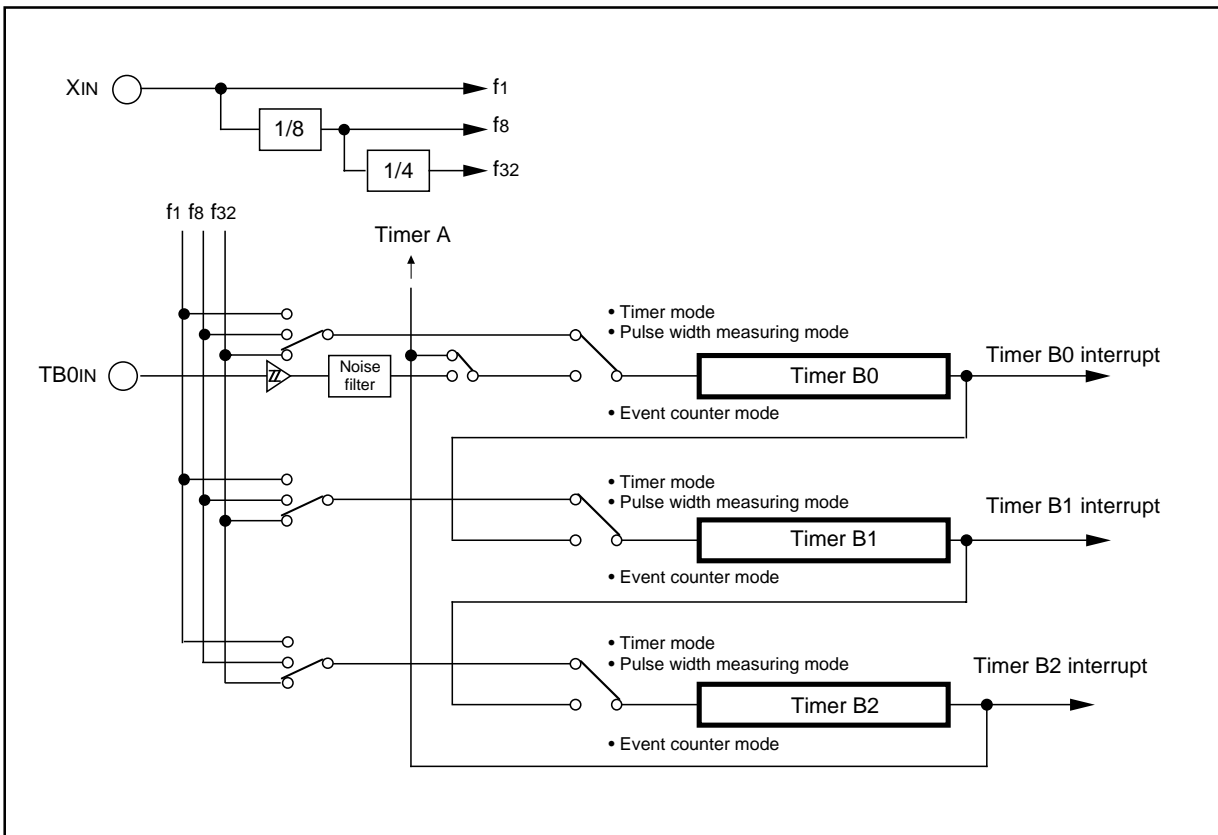


Figure 2.10.2 Timer B block diagram

M306V5ME-XXXSP
M306V5EESP

SINGLE-CHIP 16-BIT CMOS MICROCOMPUTER with CLOSED CAPTION DECODER
and ON-SCREEN DISPLAY CONTROLLER

2.10.1 Timer A

Figure 2.10.3 shows the block diagram of timer A. Figures 2.10.4 to 2.10.10 show the timer A-related registers.

Except the pulse output function, timers A0 through A4 all have the same function. Use the timer Ai mode register (i = 0 to 4) bits 0 and 1 to choose the desired mode.

Timer A has the four operation modes listed as follows:

- Timer mode: The timer counts an internal count source.
- Event counter mode: The timer counts a timer over flow.
- One-shot timer mode: The timer stops counting when the count reaches "0000₁₆".
- Pulse width modulation (PWM) mode: The timer outputs pulses of a given width.

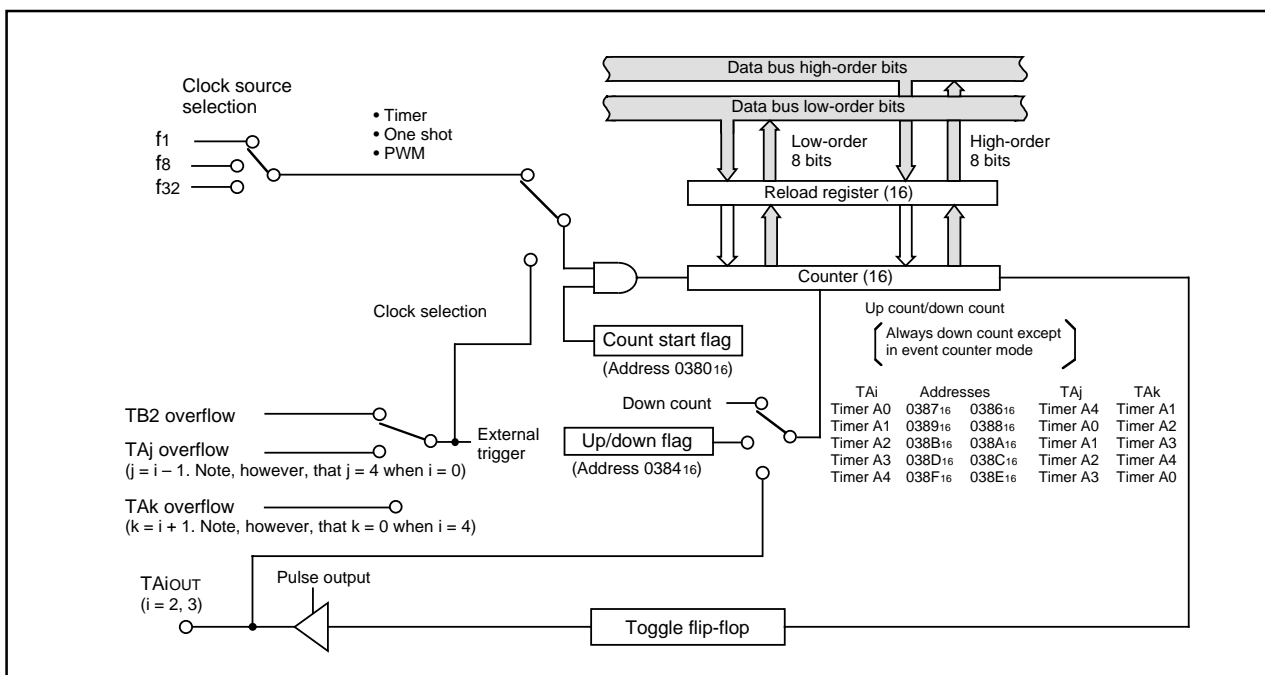


Figure 2.10.3 Block diagram of timer A

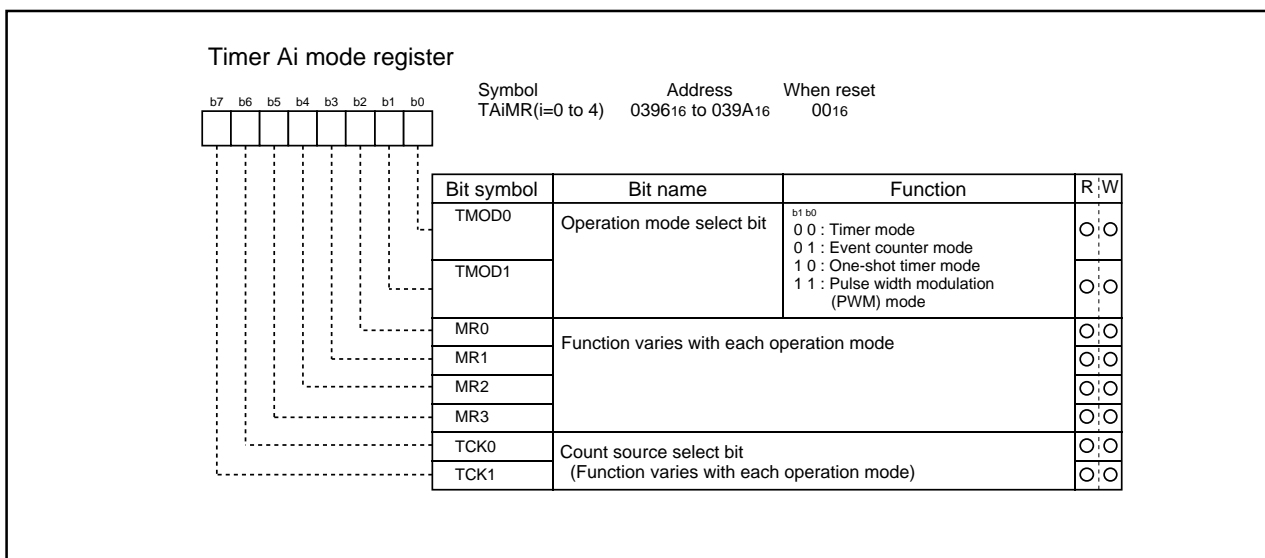


Figure 2.10.4 Timer Ai mode register (i = 0 to 4)

M306V5ME-XXXSP
M306V5EESP

SINGLE-CHIP 16-BIT CMOS MICROCOMPUTER with CLOSED CAPTION DECODER
and ON-SCREEN DISPLAY CONTROLLER

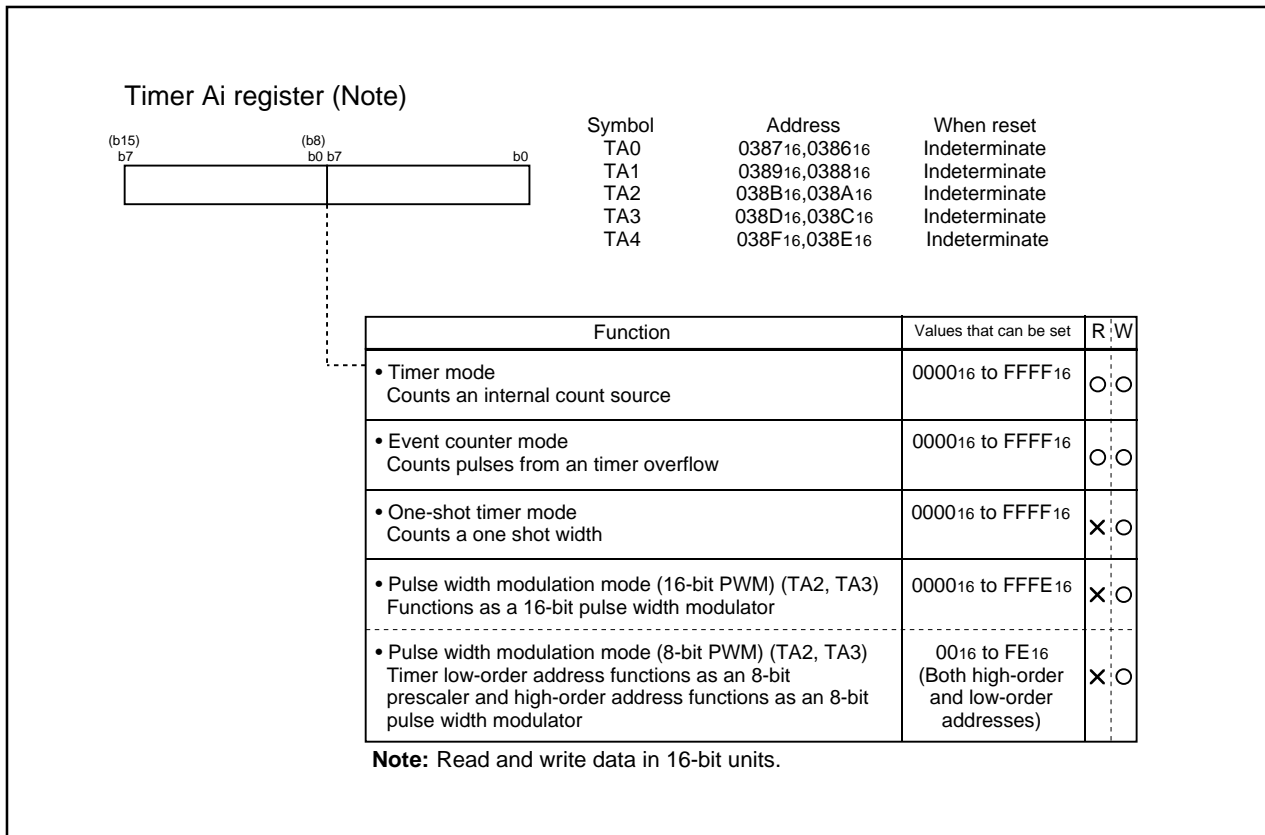


Figure 2.10.5 Timer Ai register (i = 0 to 4)

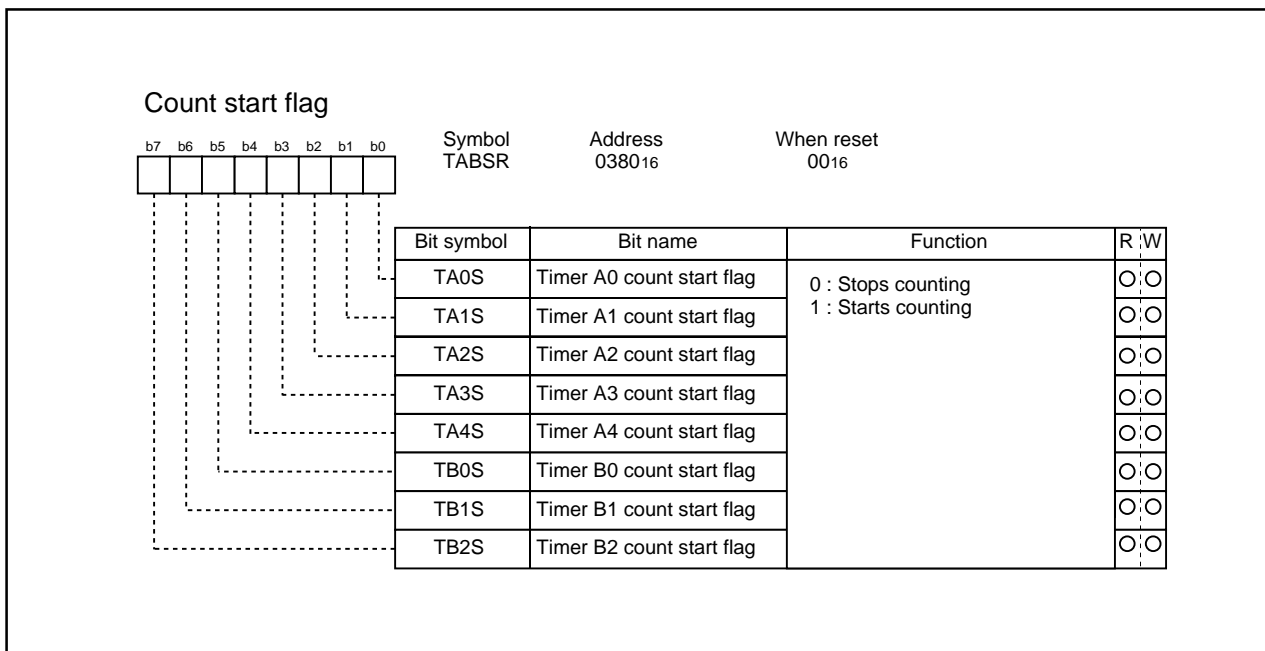


Figure 2.10.6 Count start flag

M306V5ME-XXXSP
M306V5EESP

SINGLE-CHIP 16-BIT CMOS MICROCOMPUTER with CLOSED CAPTION DECODER
and ON-SCREEN DISPLAY CONTROLLER

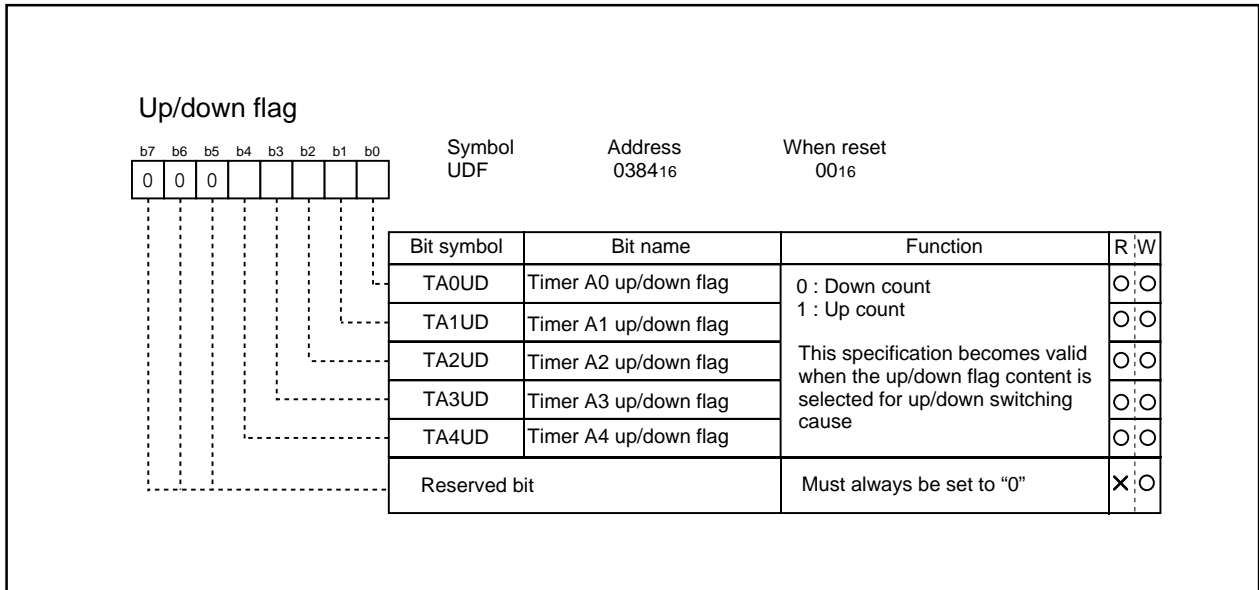


Figure 2.10.7 Up/down flag

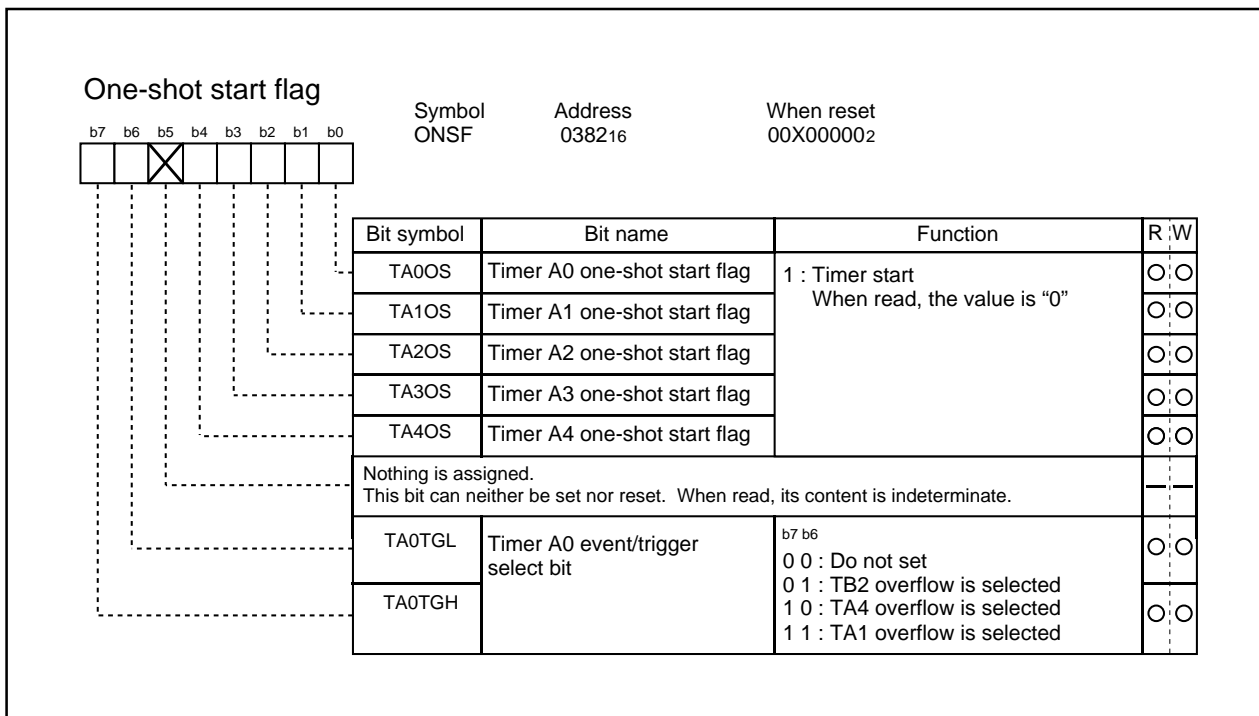


Figure 2.10.8 One-shot start flag

M306V5ME-XXXSP
M306V5EESP

SINGLE-CHIP 16-BIT CMOS MICROCOMPUTER with CLOSED CAPTION DECODER
and ON-SCREEN DISPLAY CONTROLLER

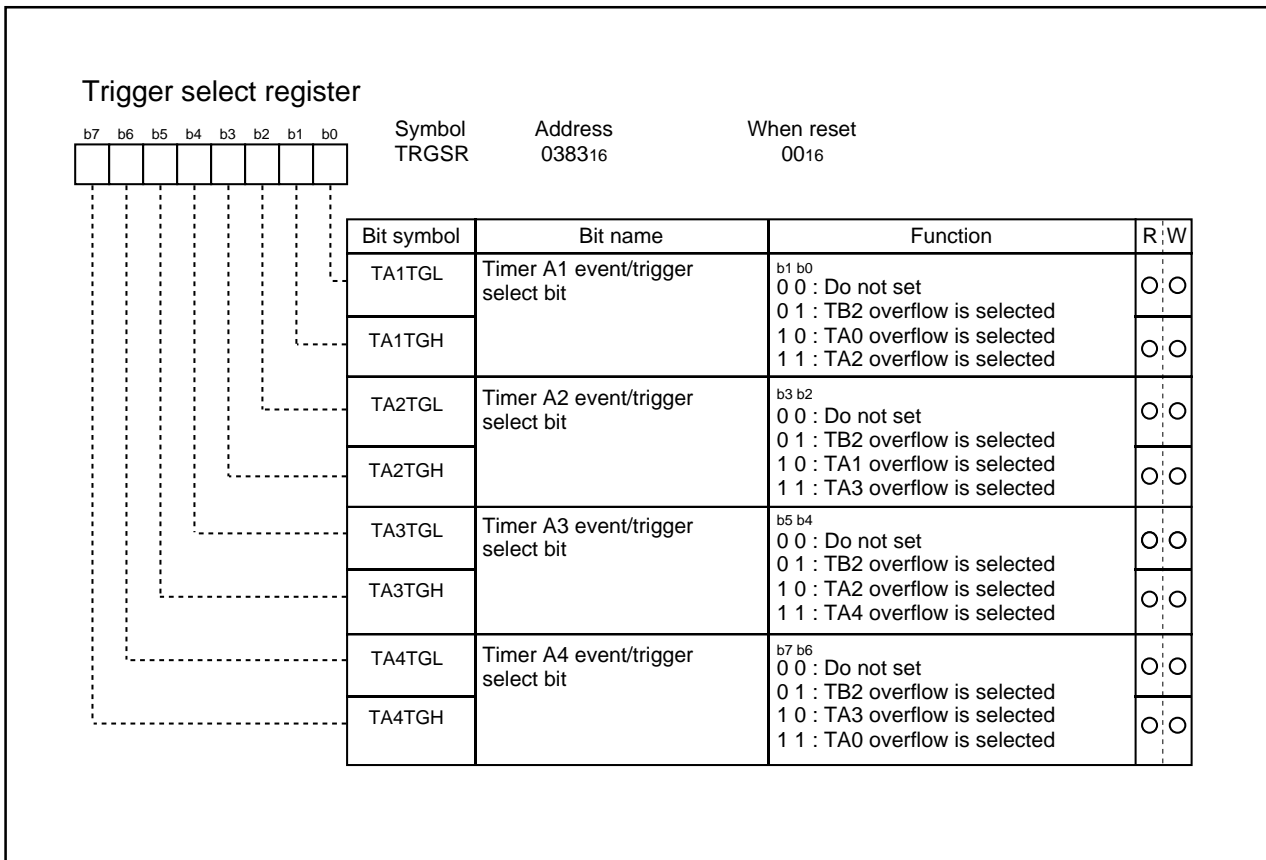


Figure 2.10.9 Trigger select register

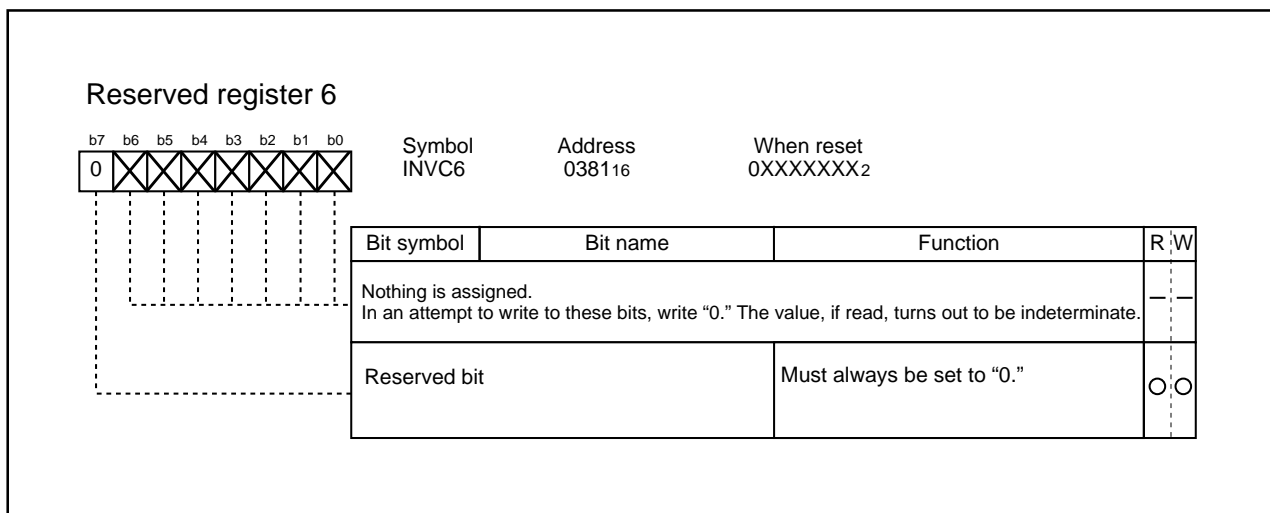


Figure 2.10.10 Reserved register 6

M306V5ME-XXXSP
M306V5EESP

SINGLE-CHIP 16-BIT CMOS MICROCOMPUTER with CLOSED CAPTION DECODER
and ON-SCREEN DISPLAY CONTROLLER

(1) Timer mode

In this mode, the timer counts an internally generated count source. (See Table 2.10.1.) Figure 2.10.11 shows the timer Ai mode register in timer mode.

Table 2.10.1 Specifications of timer mode

Item	Specification
Count source	f ₁ , f ₈ , f ₃₂
Count operation	<ul style="list-style-type: none"> • Down count • When the timer underflows, it reloads the reload register contents before continuing counting
Divide ratio	1/(n+1) n : Set value
Count start condition	Count start flag is set (= 1)
Count stop condition	Count start flag is reset (= 0)
Interrupt request generation timing	When the timer underflows
TA2 _{OUT} /TA3 _{OUT} pin function	Programmable I/O port or pulse output
Read from timer	Count value can be read out by reading timer Ai register
Write to timer	<ul style="list-style-type: none"> • When counting stopped When a value is written to timer Ai register, it is written to both reload register and counter • When counting in progress When a value is written to timer Ai register, it is written to only reload register (Transferred to counter at next reload time)
Select function	<ul style="list-style-type: none"> • Pulse output function Each time the timer underflows, the TA_iOUT pin's polarity is reversed

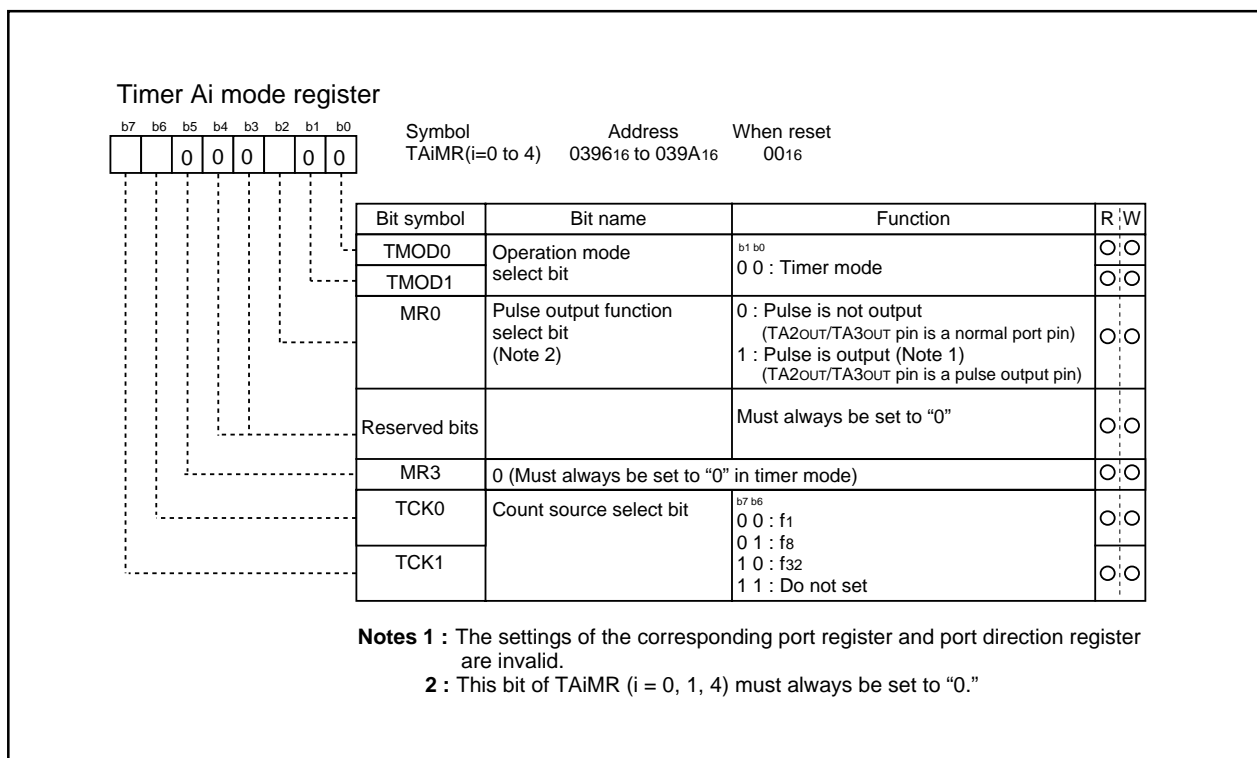


Figure 2.10.11 Timer Ai mode register in timer mode (i = 0 to 4)

(2) Event counter mode

In this mode, the timer counts an internal timer's overflow.

Table 2.10.2 Timer specifications in event counter mode

Item	Specification
Count source	• TB2 overflow, TAj overflow, TAk overflow
Count operation	• Up count or down count can be selected by external signal or software • When the timer overflows or underflows, it reloads the reload register contents before continuing counting (Note)
Divide ratio	1/ (FFFF ₁₆ - n + 1) for up count 1/ (n + 1) for down count n : Set value
Count start condition	Count start flag is set (= 1)
Count stop condition	Count start flag is reset (= 0)
Interrupt request generation timing	The timer overflows or underflows
TA2OUT/TA3OUT pin function	Programmable I/O port, pulse output, or up/down count select input
Read from timer	Count value can be read out by reading timer Ai register
Write to timer	• When counting stopped When a value is written to timer Ai register, it is written to both reload register and counter • When counting in progress When a value is written to timer Ai register, it is written to only reload register (Transferred to counter at next reload time)
Select function	• Free-run count function Even when the timer overflows or underflows, the reload register content is not reloaded to it • Pulse output function Each time the timer overflows or underflows, the TAIOUT pin's polarity is reversed

Note: This does not apply when the free-run function is selected.

M306V5ME-XXXSP
M306V5EESP

SINGLE-CHIP 16-BIT CMOS MICROCOMPUTER with CLOSED CAPTION DECODER
and ON-SCREEN DISPLAY CONTROLLER

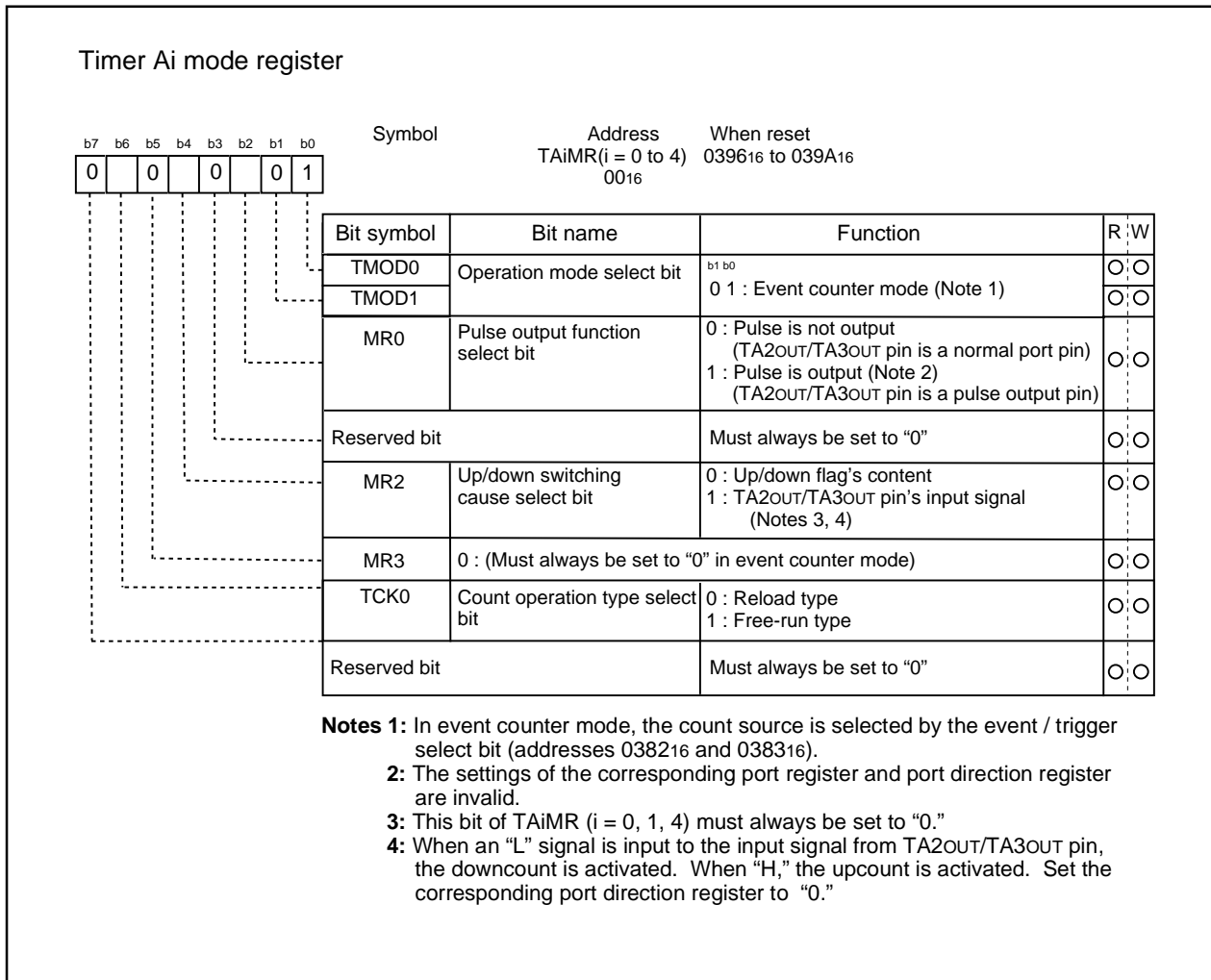


Figure 2.10.12 Timer Ai mode register in event counter mode (i = 0 to 4)

M306V5ME-XXXSP
M306V5EESP

SINGLE-CHIP 16-BIT CMOS MICROCOMPUTER with CLOSED CAPTION DECODER
and ON-SCREEN DISPLAY CONTROLLER

(3) One-shot timer mode

In this mode, the timer operates only once. (See Table 2.10.3.) When a trigger occurs, the timer starts up and continues operating for a given period. Figure 2.10.13 shows the timer Ai mode register in one-shot timer mode.

Table 2.10.3 Timer specifications in one-shot timer mode

Item	Specification
Count source	f1, f8, f32
Count operation	<ul style="list-style-type: none"> The timer counts down When the count reaches 0000₁₆, the timer stops counting after reloading a new count If a trigger occurs when counting, the timer reloads a new count and restarts counting
Divide ratio	1/n n : Set value
Count start condition	<ul style="list-style-type: none"> The timer overflows The one-shot start flag is set (= 1)
Count stop condition	<ul style="list-style-type: none"> A new count is reloaded after the count has reached 0000₁₆ The count start flag is reset (= 0)
Interrupt request generation timing	The count reaches 0000 ₁₆
TA2OUT/TA3OUT pin function	Programmable I/O port or pulse output
Read from timer	When timer Ai register is read, it indicates an indeterminate value
Write to timer	<ul style="list-style-type: none"> When counting stopped When a value is written to timer Ai register, it is written to both reload register and counter When counting in progress When a value is written to timer Ai register, it is written to only reload register (Transferred to counter at next reload time)

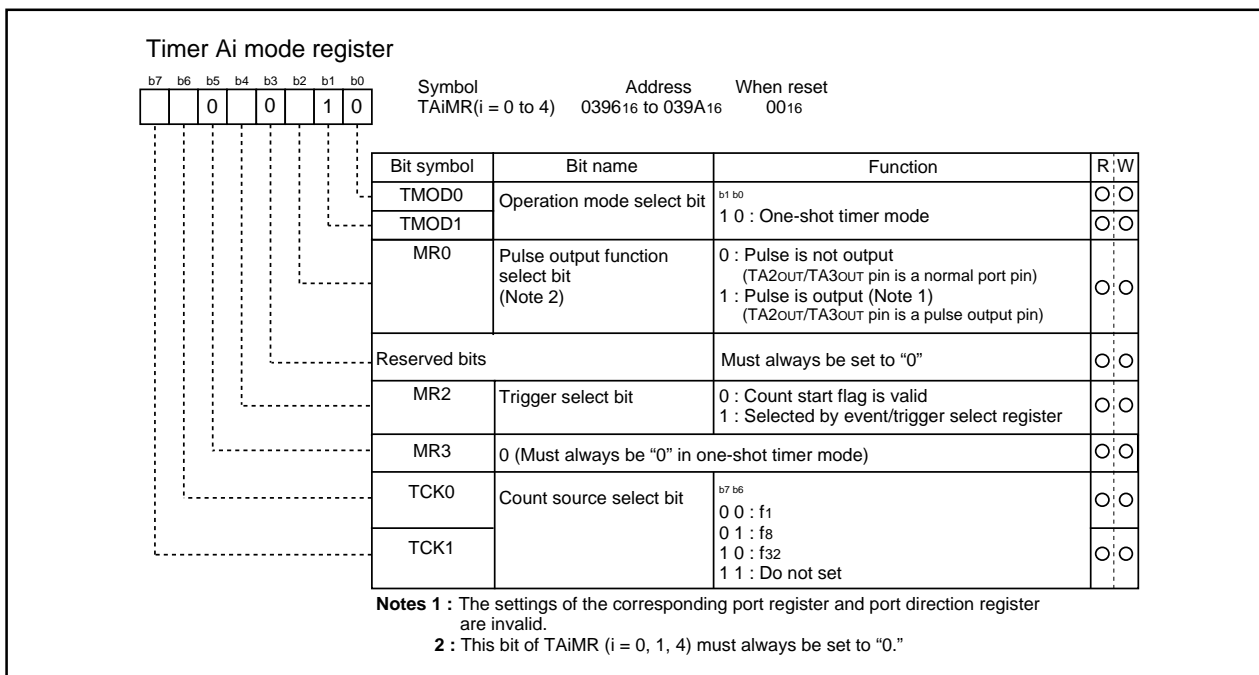


Figure 2.10.13 Timer Ai mode register in one-shot timer mode (i = 0 to 4)

M306V5ME-XXXSP
M306V5EESP

SINGLE-CHIP 16-BIT CMOS MICROCOMPUTER with CLOSED CAPTION DECODER
and ON-SCREEN DISPLAY CONTROLLER

(4) Pulse width modulation (PWM) mode

In this mode, the timer outputs pulses of a given width in succession. (See Table 2.10.4.) In this mode, the counter functions as either a 16-bit pulse width modulator or an 8-bit pulse width modulator. Figure 2.10.14 shows the timer Ai mode register in pulse width modulation mode. Figure 2.10.15 shows the example of how an 8-bit pulse width modulator operates.

Table 2.10.4 Timer specifications in pulse width modulation mode

Item	Specification
Count source	f1, f8, f32
Count operation	<ul style="list-style-type: none"> The timer counts down (operating as an 8-bit or a 16-bit pulse width modulator) The timer reloads a new count at a rising edge of PWM pulse and continues counting The timer is not affected by a trigger that occurs when counting
16-bit PWM	<ul style="list-style-type: none"> High level width n / f_i n : Set value Cycle time $(2^{16}-1) / f_i$ fixed
8-bit PWM	<ul style="list-style-type: none"> High level width $n \times (m+1) / f_i$ n : values set to timer Ai register's high-order address Cycle time $(2^8-1) \times (m+1) / f_i$ m : values set to timer Ai register's low-order address
Count start condition	<ul style="list-style-type: none"> The timer overflows The count start flag is set (= 1)
Count stop condition	<ul style="list-style-type: none"> The count start flag is reset (= 0)
Interrupt request generation timing	PWM pulse goes "L"
TA2OUT/TA3OUT pin function	Pulse output
Read from timer	When timer Ai register is read, it indicates an indeterminate value
Write to timer	<ul style="list-style-type: none"> When counting stopped When a value is written to timer Ai register, it is written to both reload register and counter When counting in progress When a value is written to timer Ai register, it is written to only reload register (Transferred to counter at next reload time)

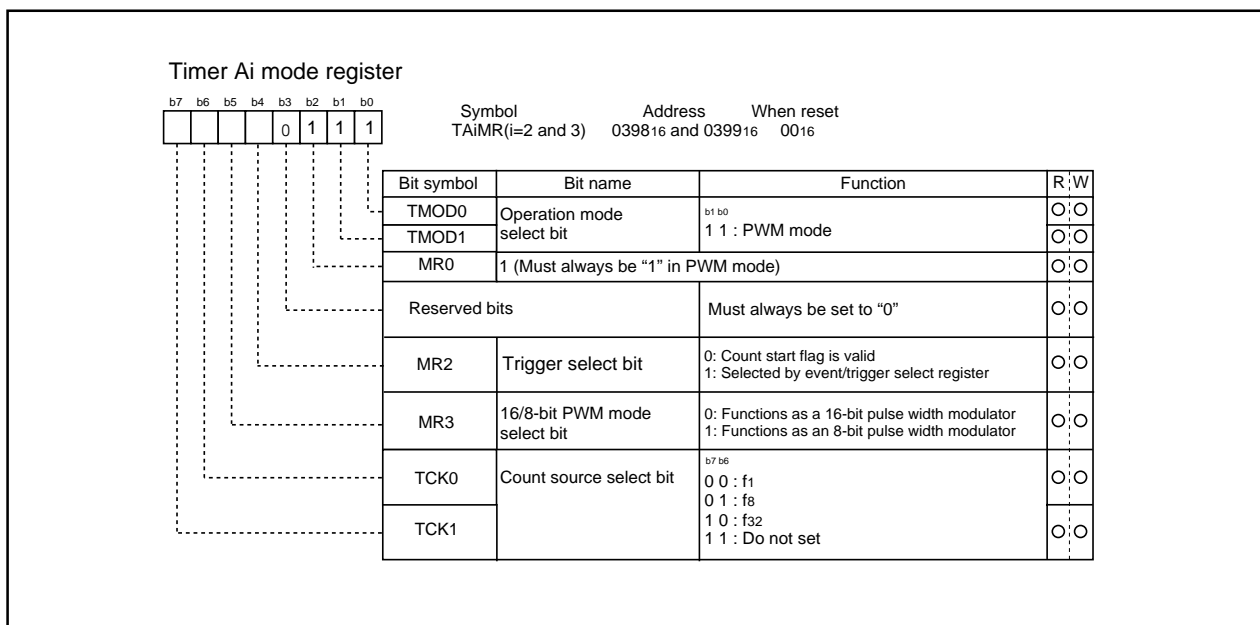


Figure 2.10.14 Timer Ai mode register in pulse width modulation mode (i = 2 and 3)

M306V5ME-XXXSP
M306V5EESP

SINGLE-CHIP 16-BIT CMOS MICROCOMPUTER with CLOSED CAPTION DECODER
and ON-SCREEN DISPLAY CONTROLLER

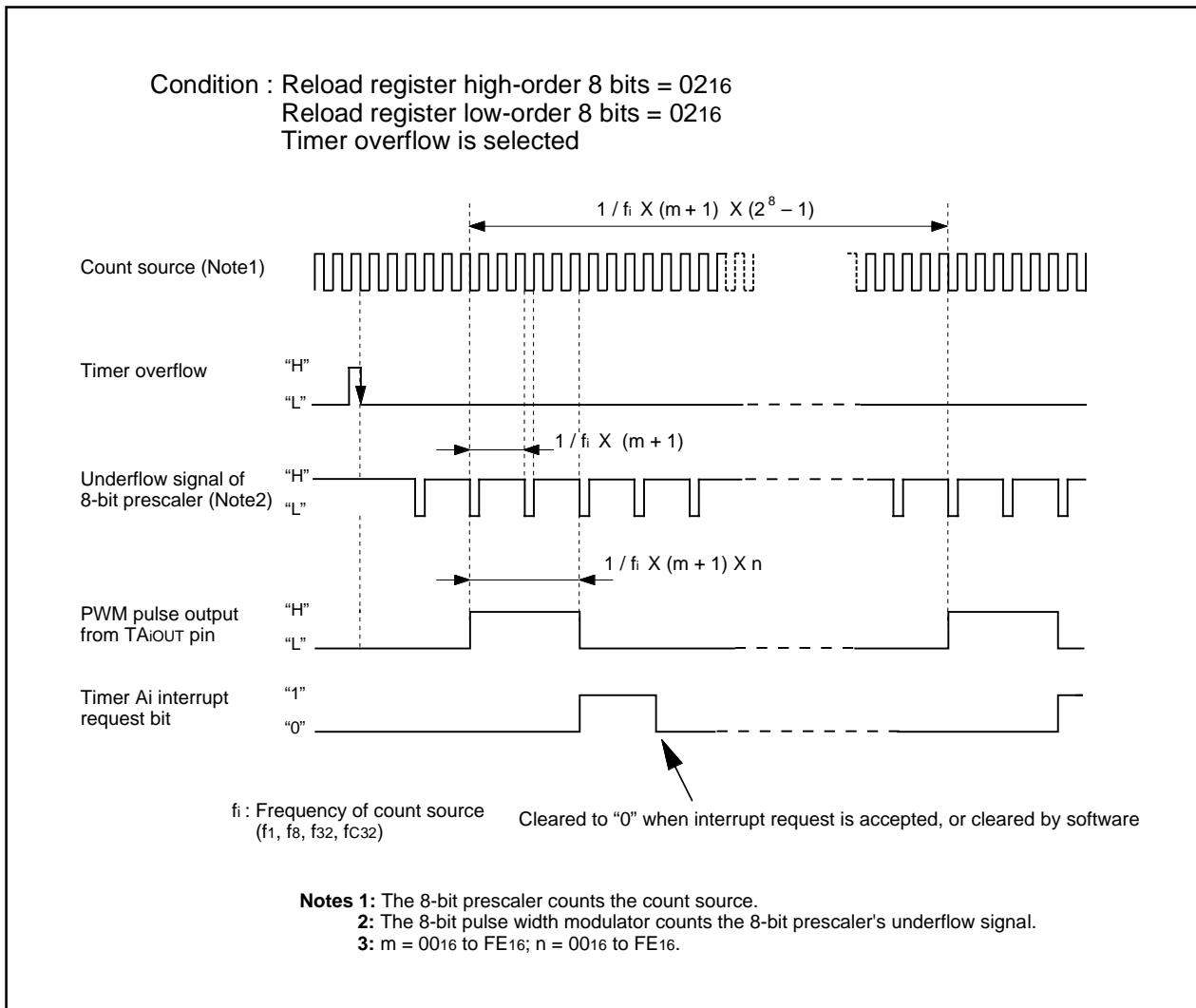


Figure 2.10.15 Example of how an 8-bit pulse width modulator operates

2.10.2 Timer B

Figure 2.10.17 shows the block diagram of timer B. Figures 2.10.17 and 2.10.20 show the timer B-related registers.

Use the timer Bi mode register (i = 0 to 2) bits 0 and 1 to choose the desired mode.

Timer B has three operation modes listed as follows:

- Timer mode: The timer counts an internal count source.
- Event counter mode: The timer counts pulses from an external source or a timer overflow.
- Pulse period/pulse width measuring mode: The timer measures an external signal's pulse period or pulse width.

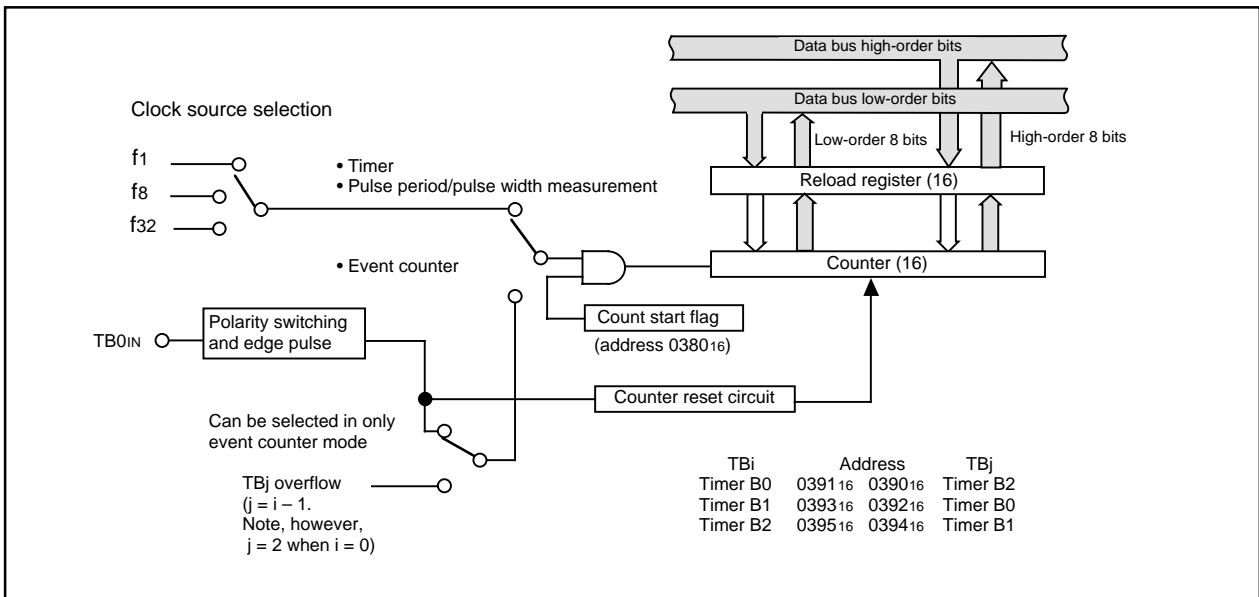


Figure 2.10.16 Block diagram of timer B

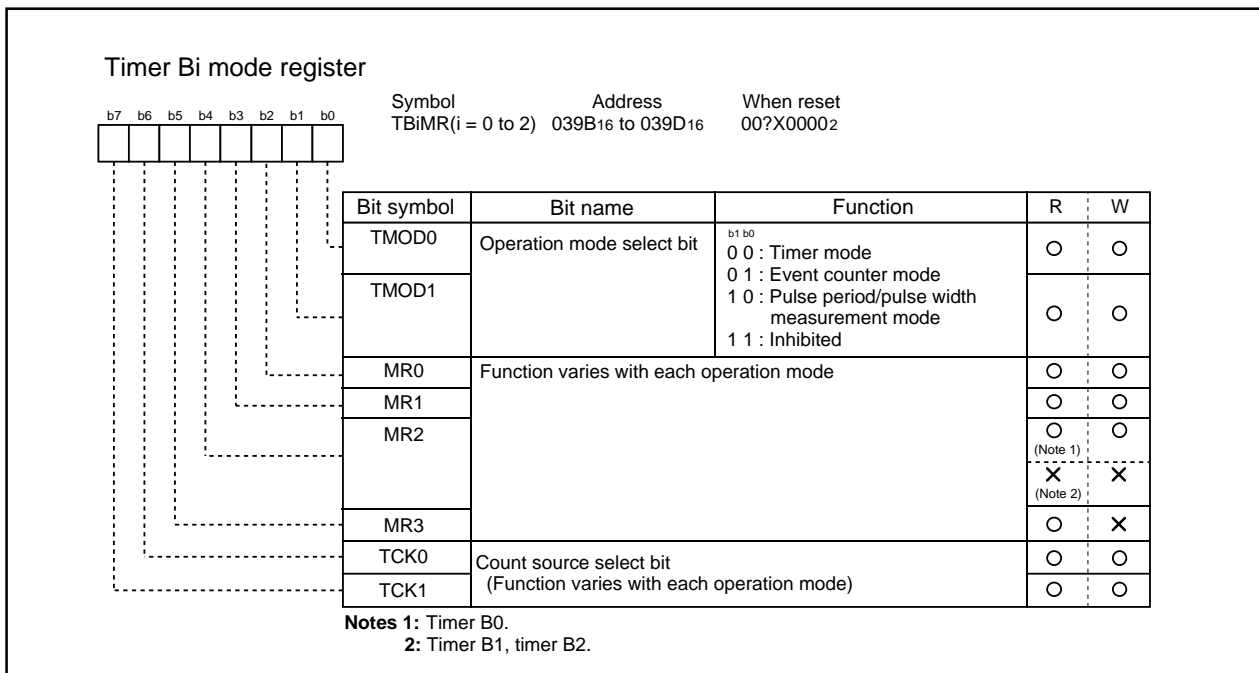


Figure 2.10.17 Timer Bi mode register (i = 0 to 2)

M306V5ME-XXXSP
M306V5EESP

SINGLE-CHIP 16-BIT CMOS MICROCOMPUTER with CLOSED CAPTION DECODER
and ON-SCREEN DISPLAY CONTROLLER

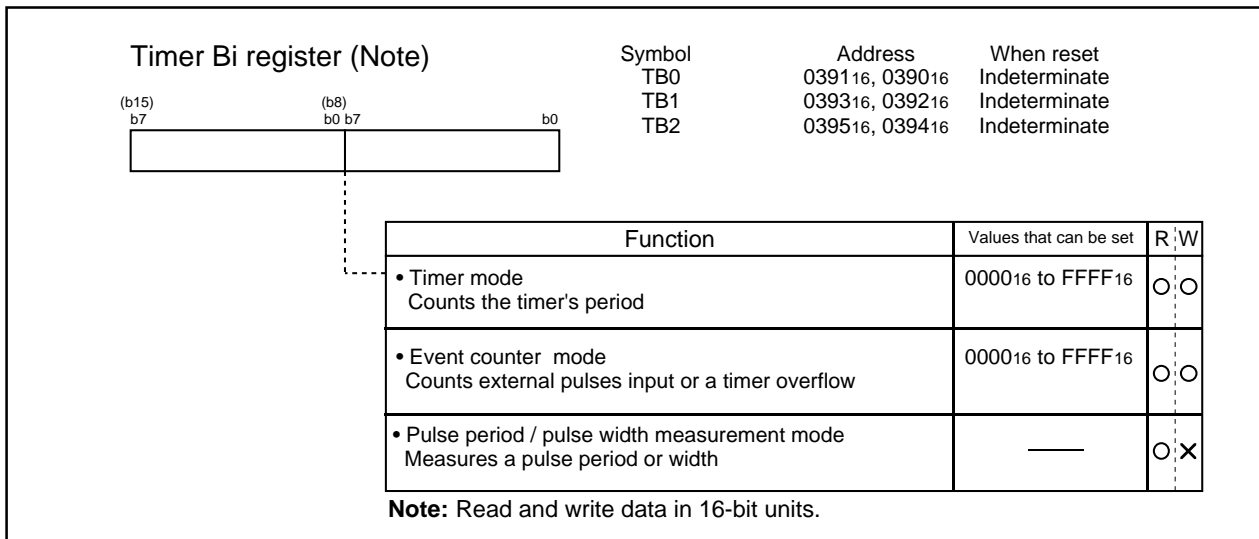


Figure 2.10.18 Timer Bi register (i = 0 to 2)

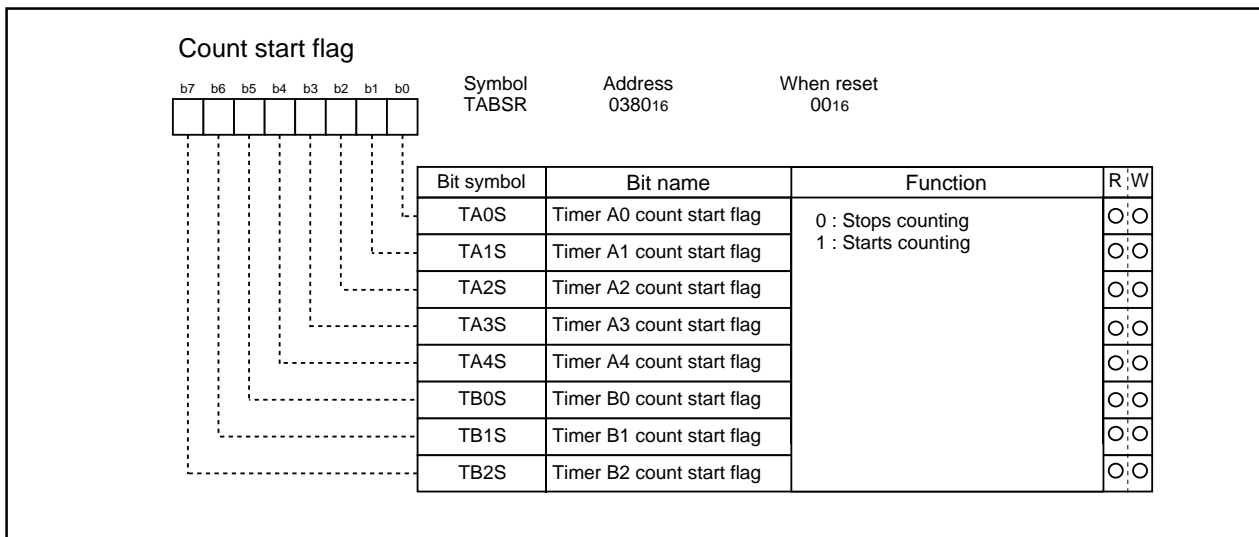


Figure 2.10.19 Count start flag

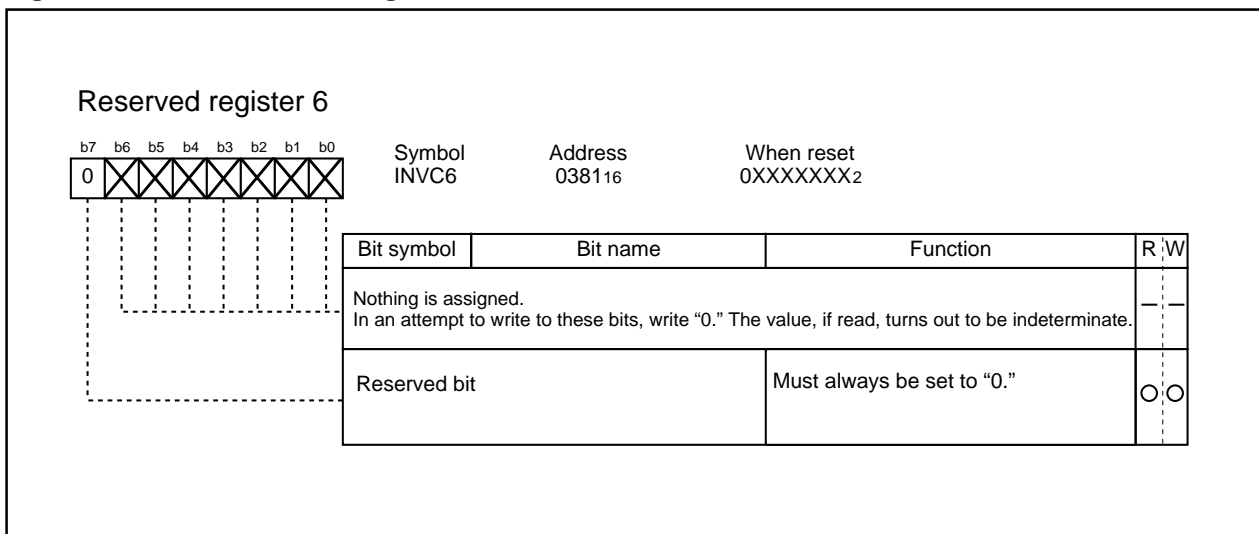


Figure 2.10.20 Reserved register

M306V5ME-XXXSP
M306V5EESP

SINGLE-CHIP 16-BIT CMOS MICROCOMPUTER with CLOSED CAPTION DECODER
and ON-SCREEN DISPLAY CONTROLLER

(1) Timer mode

In this mode, the timer counts an internally generated count source. (See Table 2.10.5) Figure 2.10.21 shows the timer Bi mode register in timer mode.

Table 2.10.5 Timer specifications in timer mode

Item	Specification
Count source	f1, f8, f32
Count operation	<ul style="list-style-type: none"> Counts down When the timer underflows, it reloads the reload register contents before continuing counting
Divide ratio	1/(n+1) n : Set value
Count start condition	Count start flag is set (= 1)
Count stop condition	Count start flag is reset (= 0)
Interrupt request generation timing	The timer underflows
TBOIN pin function	Programmable I/O port
Read from timer	Count value is read out by reading timer Bi register
Write to timer	<ul style="list-style-type: none"> When counting stopped When a value is written to timer Bi register, it is written to both reload register and counter When counting in progress When a value is written to timer Bi register, it is written to only reload register (Transferred to counter at next reload time)

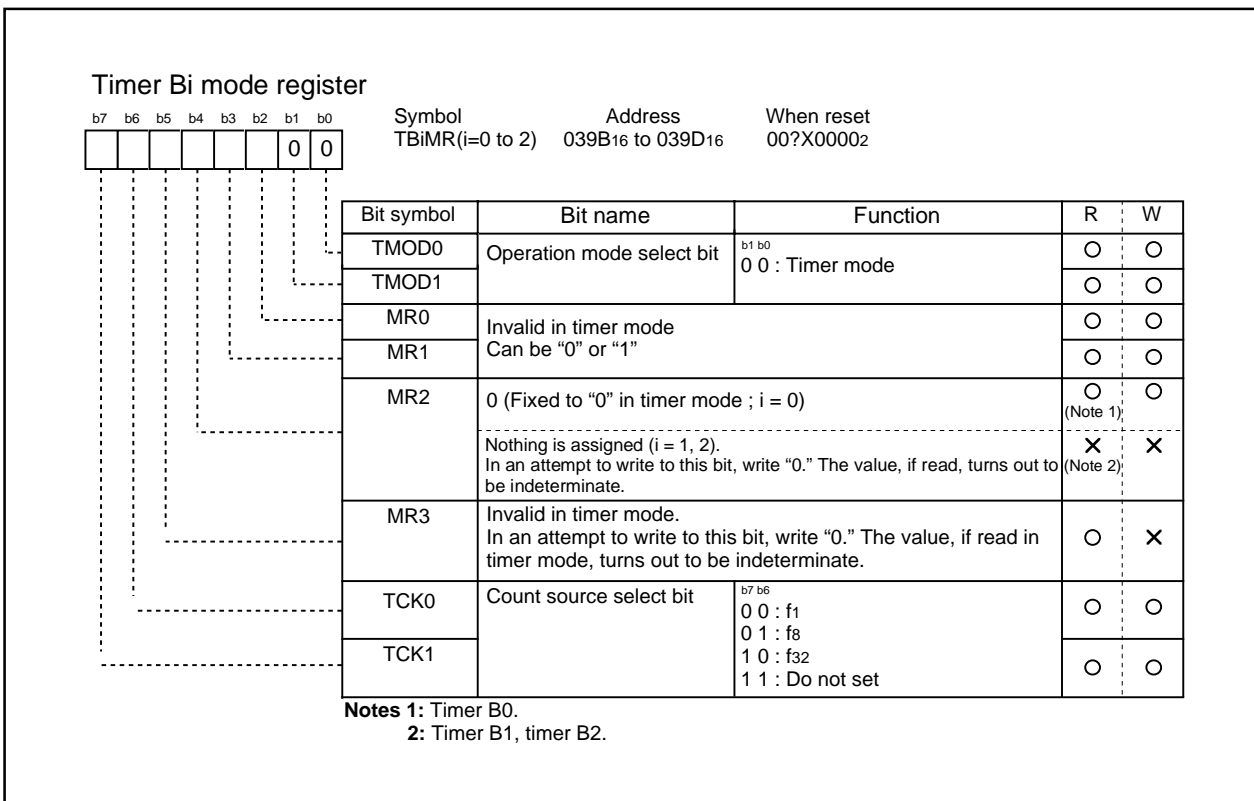


Figure 2.10.21 Timer Bi mode register in timer mode (i = 0 to 2)

M306V5ME-XXXSP
M306V5EESP

SINGLE-CHIP 16-BIT CMOS MICROCOMPUTER with CLOSED CAPTION DECODER
and ON-SCREEN DISPLAY CONTROLLER

(2) Event counter mode

In this mode, the timer counts an external signal or an internal timer's overflow. (See Table 2.10.6) Figure 2.10.22 shows the timer Bi mode register in event counter mode.

Table 2.10.6 Timer specifications in event counter mode

Item	Specification
Count source	<ul style="list-style-type: none"> External signals input to TB0IN pin Effective edge of count source can be a rising edge, a falling edge, or falling and rising edges as selected by software
Count operation	<ul style="list-style-type: none"> Counts down When the timer underflows, it reloads the reload register contents before continuing counting
Divide ratio	1/(n+1) n : Set value
Count start condition	Count start flag is set (= 1)
Count stop condition	Count start flag is reset (= 0)
Interrupt request generation timing	The timer underflows
TB0IN pin function	Count source input
Read from timer	Count value can be read out by reading timer Bi register
Write to timer	<ul style="list-style-type: none"> When counting stopped When a value is written to timer Bi register, it is written to both reload register and counter When counting in progress When a value is written to timer Bi register, it is written to only reload register (Transferred to counter at next reload time)

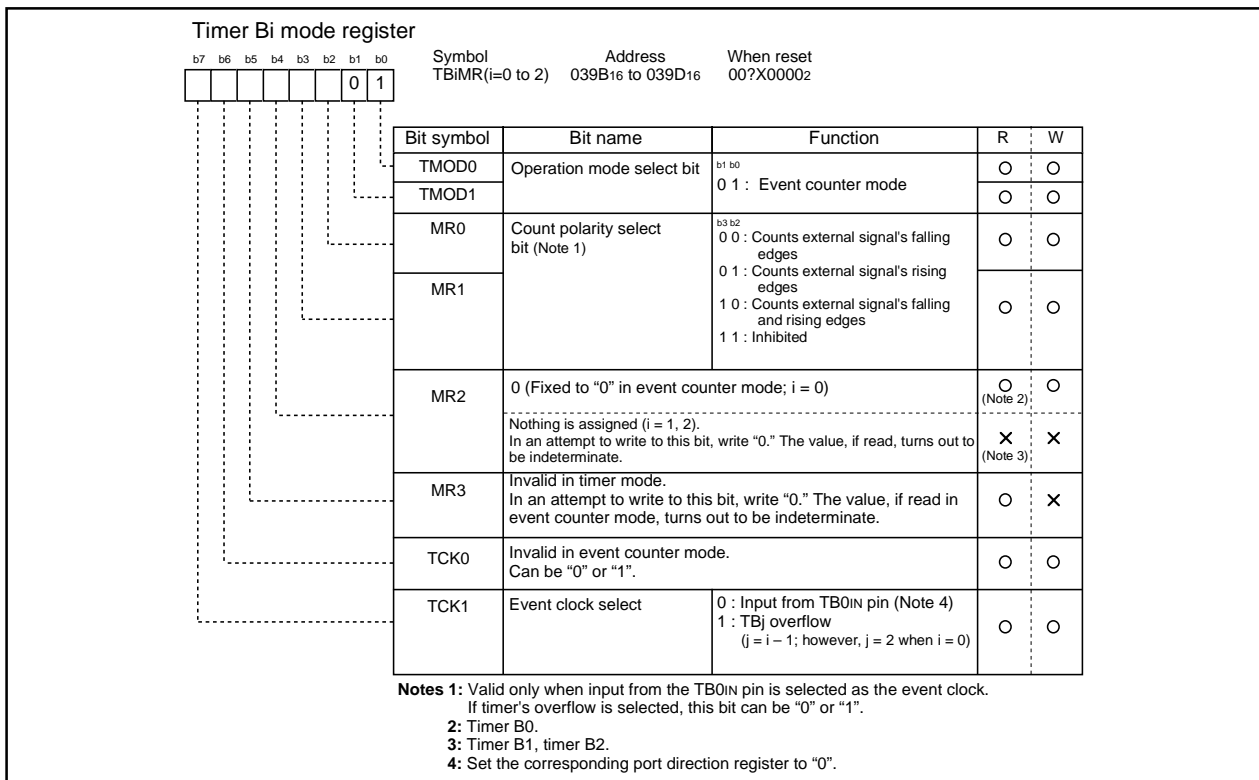


Figure 2.10.22 Timer Bi mode register in event counter mode (i = 0 to 2)

M306V5ME-XXXSP

M306V5EESP

SINGLE-CHIP 16-BIT CMOS MICROCOMPUTER with CLOSED CAPTION DECODER
and ON-SCREEN DISPLAY CONTROLLER

(3) Pulse period/pulse width measurement mode

In this mode, the timer measures the pulse period or pulse width of an external signal. (See Table 2.10.7)
Figure 2.10.23 shows the timer B0 mode register in pulse period/pulse width measurement mode. Figure 2.10.24 shows the operation timing when measuring a pulse period. Figure 2.10.25 shows the operation timing when measuring a pulse width.

Table 2.10.7 Timer specifications in pulse period/pulse width measurement mode

Item	Specification
Count source	f1, f8, f32
Count operation	<ul style="list-style-type: none"> Up count Counter value "0000₁₆" is transferred to reload register at measurement pulse's effective edge and the timer continues counting
Count start condition	Count start flag is set (= 1)
Count stop condition	Count start flag is reset (= 0)
Interrupt request generation timing	<ul style="list-style-type: none"> When measurement pulse's effective edge is input (Note 1) When an overflow occurs. (Simultaneously, the timer Bi overflow flag changes to "1". The timer B0 overflow flag changes to "0" when the count start flag is "1" and a value is written to the timer B0 mode register.)
TB0IN pin function	Measurement pulse input
Read from timer	When timer B0 register is read, it indicates the reload register's content (measurement result) (Note 2)
Write to timer	Cannot be written to

Notes 1: An interrupt request is not generated when the first effective edge is input after the timer has started counting.
2: The value read out from the timer B0 register is indeterminate until the second effective edge is input after the timer.

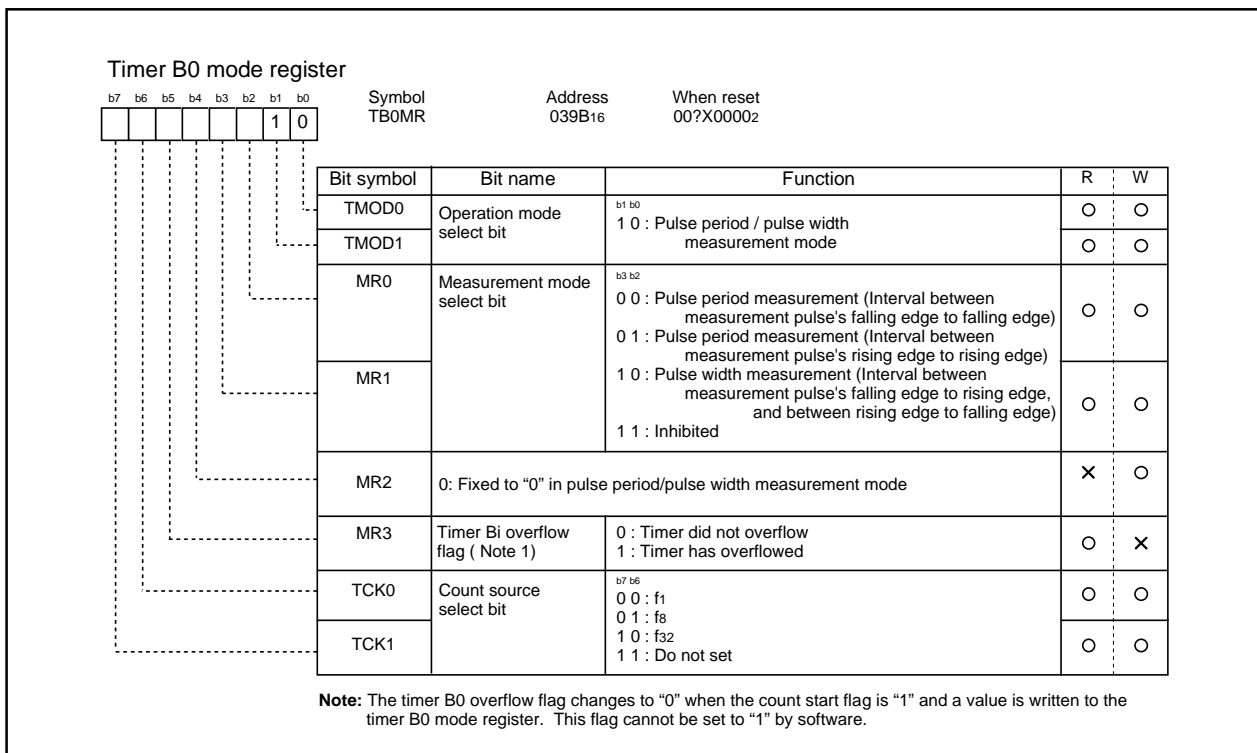


Figure 2.10.23 Timer B0 mode register in pulse period/pulse width measurement mode

M306V5ME-XXXSP
M306V5EESP

SINGLE-CHIP 16-BIT CMOS MICROCOMPUTER with CLOSED CAPTION DECODER
and ON-SCREEN DISPLAY CONTROLLER

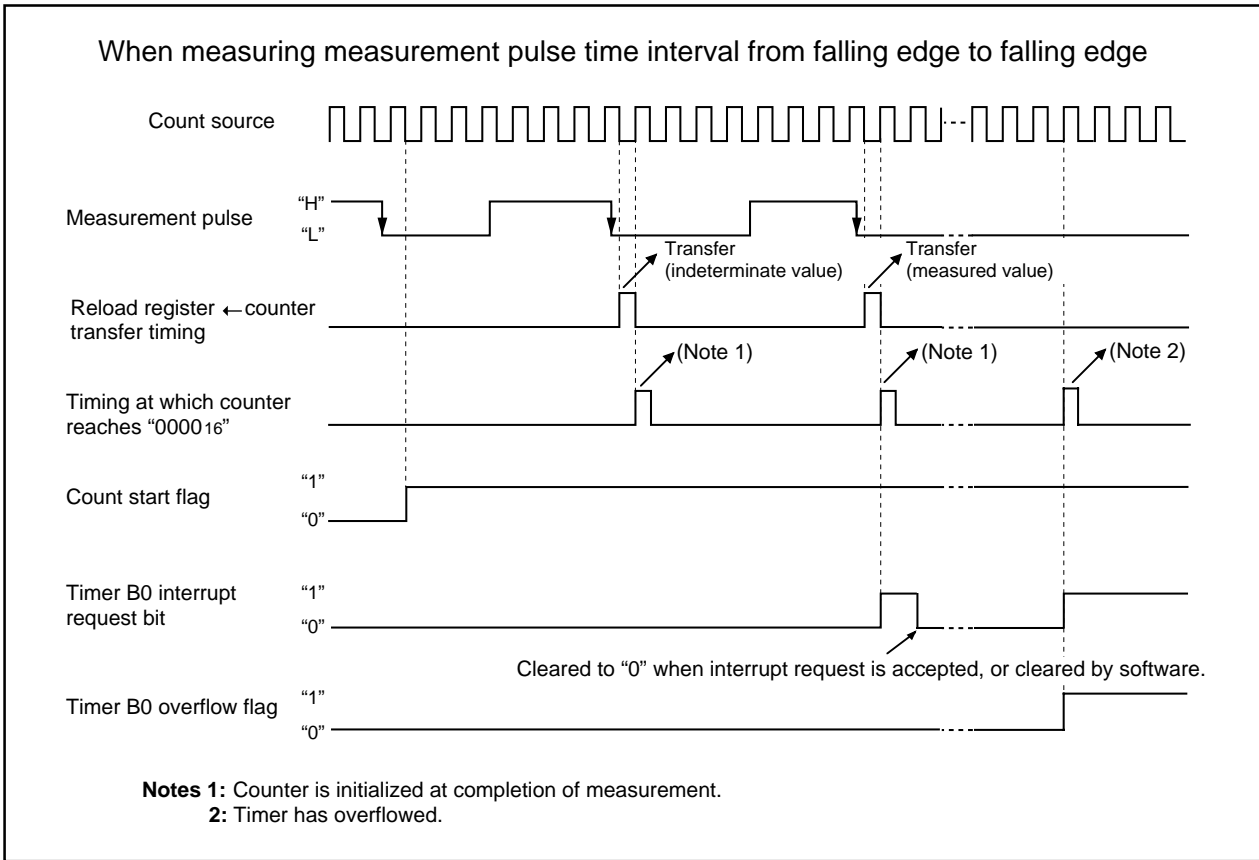


Figure 2.10.24 Operation timing when measuring a pulse period

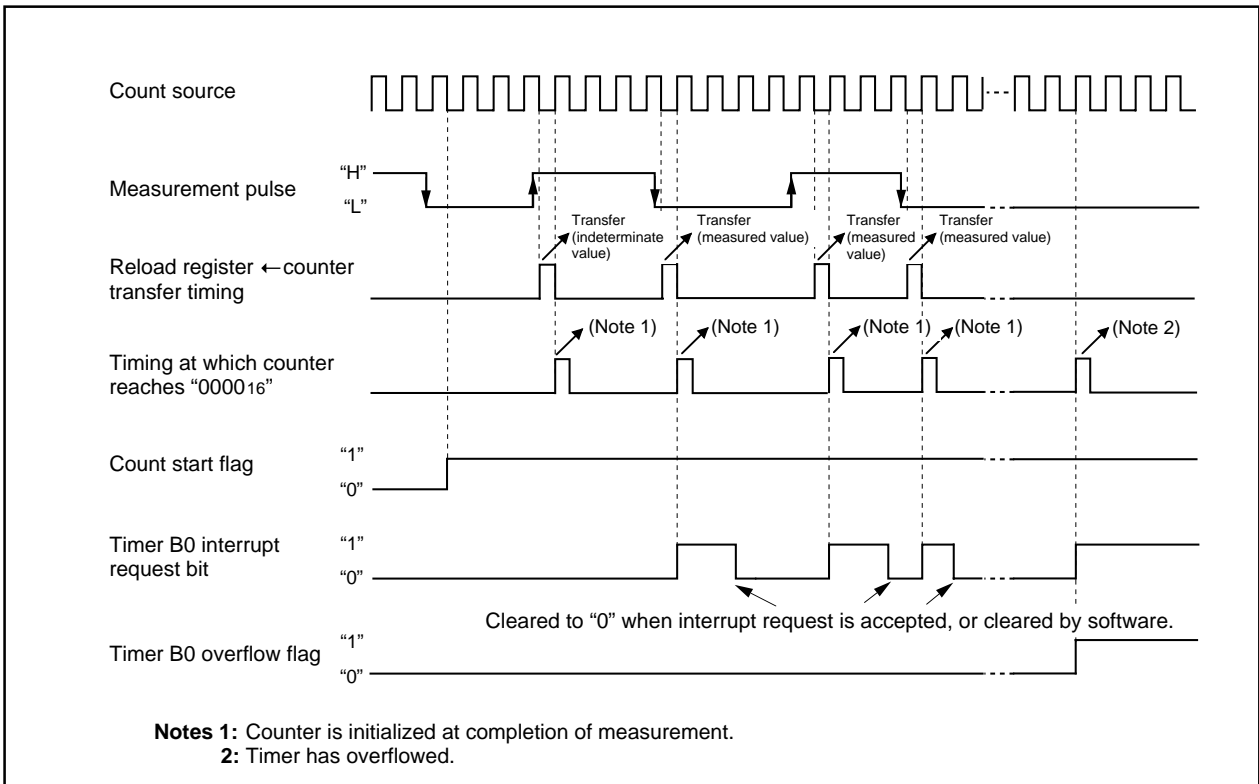


Figure 2.10.25 Operation timing when measuring a pulse width

M306V5ME-XXXSP
M306V5EESP

SINGLE-CHIP 16-BIT CMOS MICROCOMPUTER with CLOSED CAPTION DECODER
and ON-SCREEN DISPLAY CONTROLLER

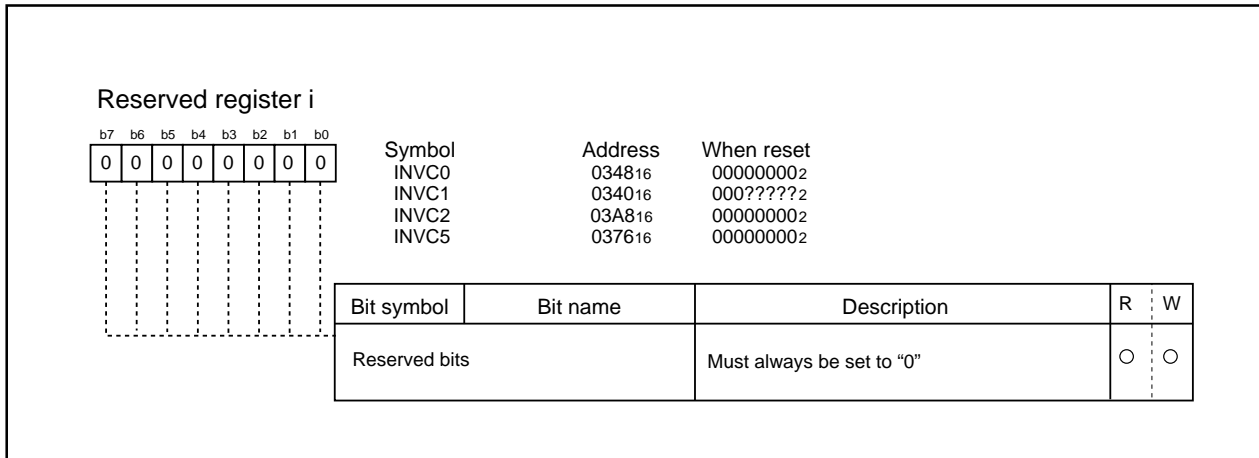


Figure 2.10.26 Reserved register i (i = 0 to 2, 5)

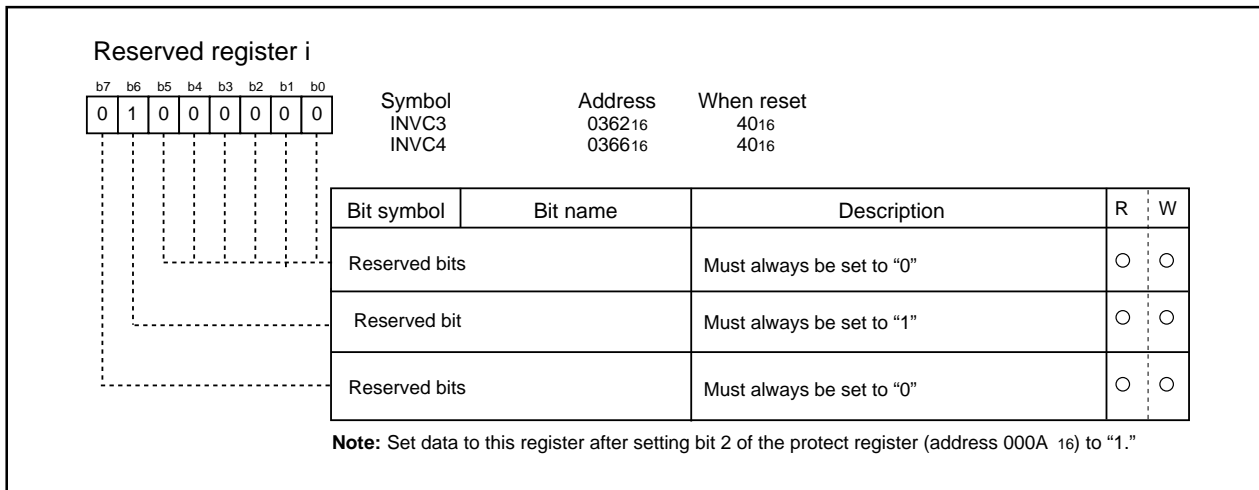


Figure 2.10.27 Reserved register i (i = 3 and 4)

(4) TB0IN noise filter

The input signal of pin TB0IN has the noise filter. The ON/OFF of noise filter and selection of filter clock are set by bits 2 to 4 of the peripheral mode register.

Note: When using the noise filter, set bit 7 of the peripheral mode register according to the main clock frequency.

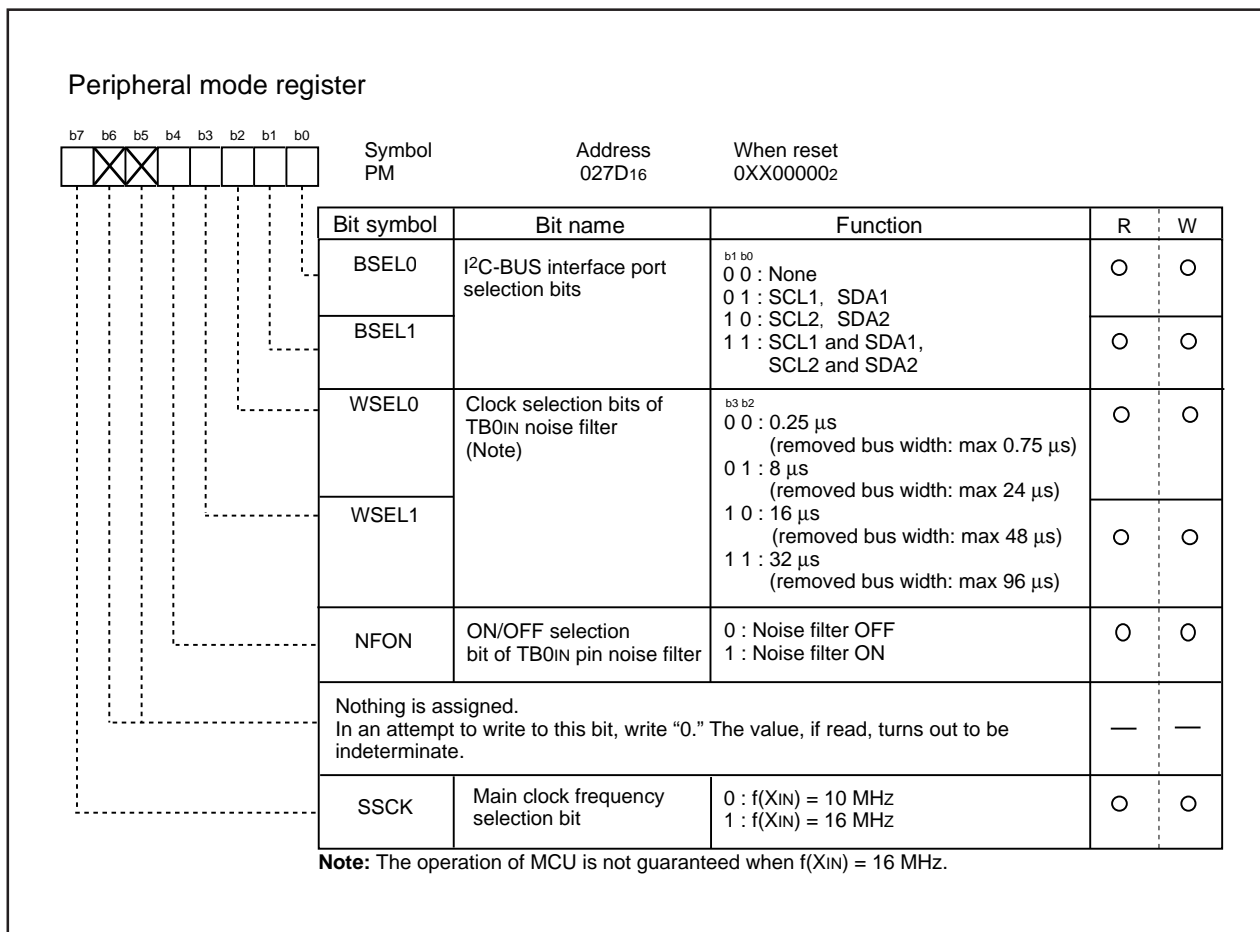


Figure 2.10.28 Peripheral mode register

2.11 Serial I/O

Serial I/O is configured as 4 unites: UART0, UART2, multi-master I²C-BUS interface 0, and multi-master I²C-BUS interface 1.

2.11.1 UART0 and UART2

UART0 and UART2 each have an exclusive timer to generate a transfer clock, so they operate independently of each other.

Figure 2.11.1 shows the block diagram of UART0 and UART2. Figures 2.11.2 and 2.11.3 show the block diagram of the transmit/receive unit.

UART_i (i = 0 and 2) has two operation modes: a clock synchronous serial I/O mode and a clock asynchronous serial I/O mode (UART mode). The contents of the serial I/O mode select bits (bits 0 to 2 at addresses 03A0₁₆ and 0378₁₆) determine whether UART_i is used as a clock synchronous serial I/O or as a UART. Although a few functions are different, UART0 and UART2 have almost the same functions.

UART0 and UART2 are almost equal in their functions with minor exceptions. UART2, in particular, is compliant with the SIM interface. It also has the bus collision detection function that generates an interrupt request if the Tx_D pin and the Rx_D pin are different in level.

Table 2.11.1 shows the comparison of functions of UART0 and UART2, and Figures 2.11.4 to 2.11.14 show the registers related to UART_i.

Table 2.11.1 Comparison of functions of UART0 and UART2

Function	UART0	UART2
CLK polarity selection	Possible (Note 1)	Possible (Note 1)
LSB first / MSB first selection	Possible (Note 1)	Possible (Note 2)
Continuous receive mode selection	Possible (Note 1)	Possible (Note 1)
Transfer clock output from multiple pins selection	Impossible	Impossible
Serial data logic switch	Impossible	Possible (Note 4)
Sleep mode selection	Possible (Note 3)	Impossible
TxD, Rx _D I/O polarity switch	Impossible	Possible
TxD, Rx _D port output format	CMOS output	N-channel open-drain output
Parity error signal output	Impossible	Possible (Note 4)
Bus collision detection	Impossible	Possible

Notes 1: Only when clock synchronous serial I/O mode.

2: Only when clock synchronous serial I/O mode and 8-bit UART mode.

3: Only when UART mode.

4: Using for SIM interface.

M306V5ME-XXXSP
M306V5EESP

SINGLE-CHIP 16-BIT CMOS MICROCOMPUTER with CLOSED CAPTION DECODER
and ON-SCREEN DISPLAY CONTROLLER

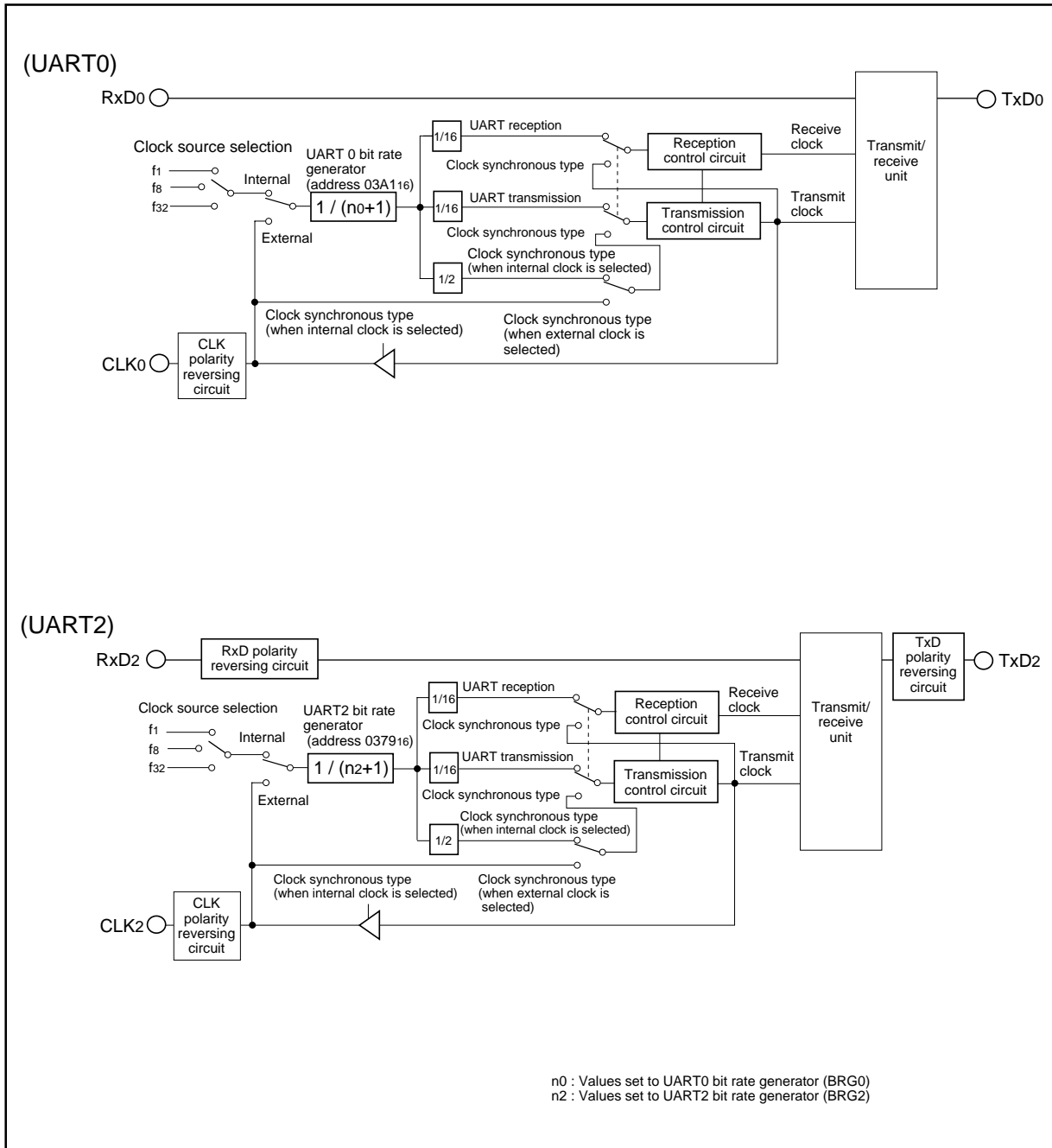


Figure 2.11.1 Block diagram of UARTi (i = 0 and 2)

M306V5ME-XXXSP
M306V5EESP

SINGLE-CHIP 16-BIT CMOS MICROCOMPUTER with CLOSED CAPTION DECODER
and ON-SCREEN DISPLAY CONTROLLER

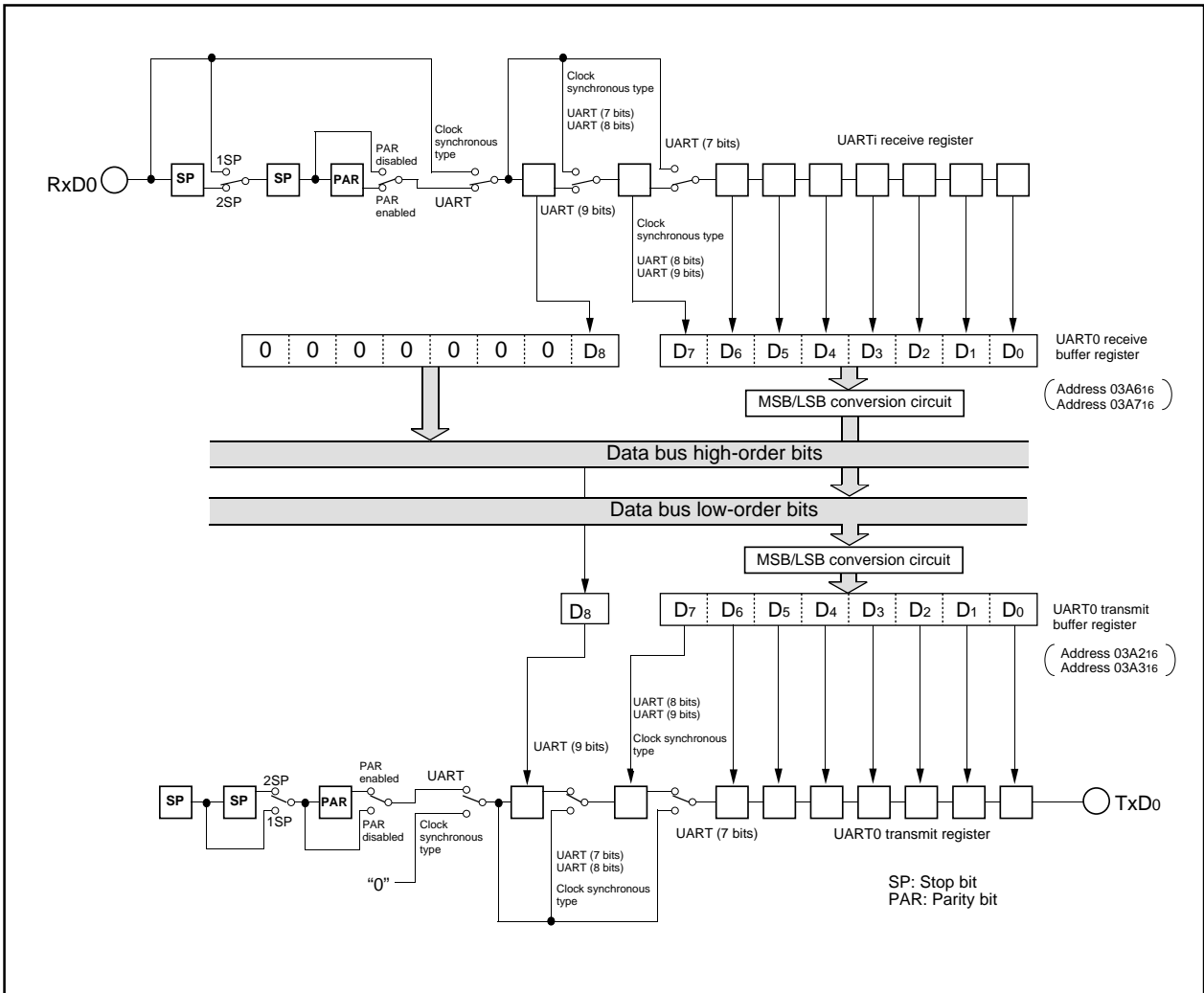


Figure 2.11.2 Block diagram of UART0 transmit/receive unit

M306V5ME-XXXSP
M306V5EESP

SINGLE-CHIP 16-BIT CMOS MICROCOMPUTER with CLOSED CAPTION DECODER
and ON-SCREEN DISPLAY CONTROLLER

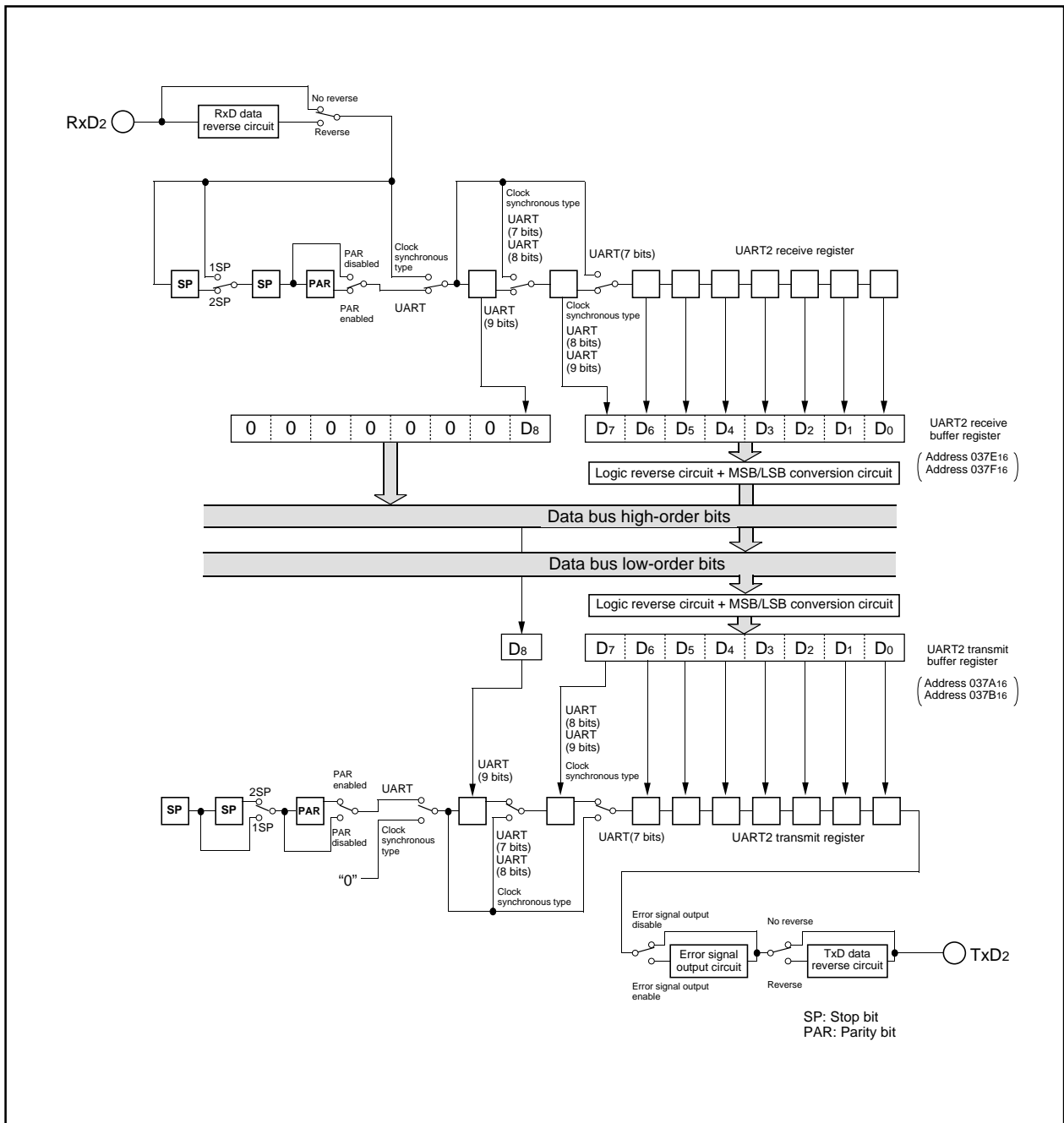


Figure 2.11.3 Block diagram of UART2 transmit/receive unit

M306V5ME-XXXSP
M306V5EESP

SINGLE-CHIP 16-BIT CMOS MICROCOMPUTER with CLOSED CAPTION DECODER
and ON-SCREEN DISPLAY CONTROLLER

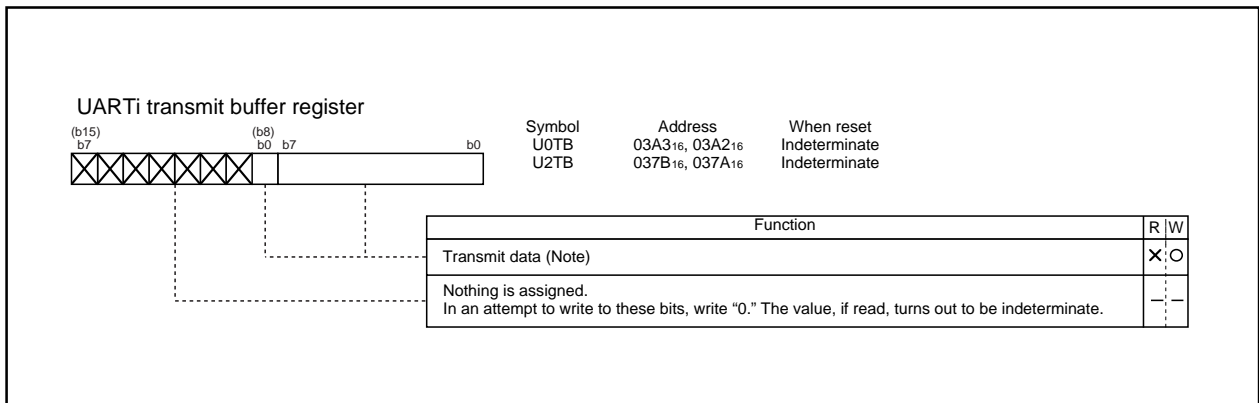


Figure 2.11.4 UARTi transmit buffer register (i = 0 and 2)

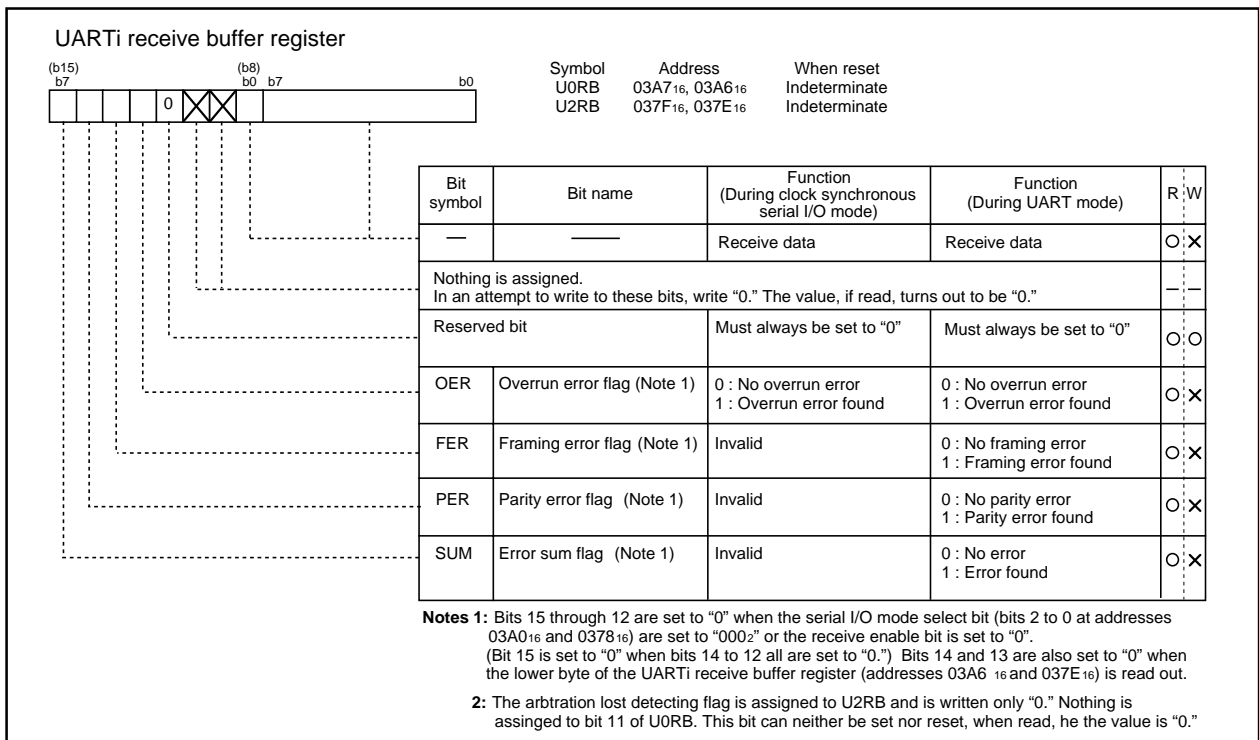


Figure 2.11.5 UARTi receive buffer register (i = 0 and 2)

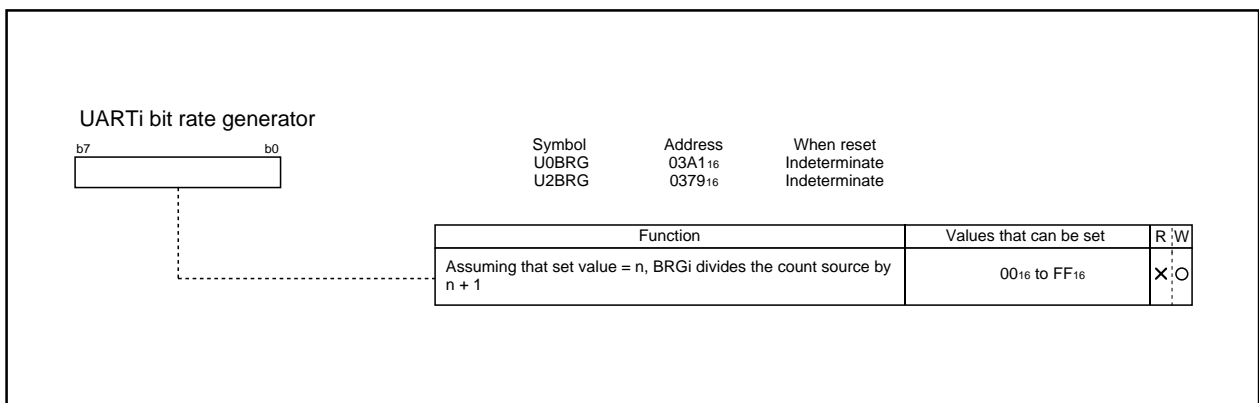


Figure 2.11.6 UARTi bit rate generator (i = 0 and 2)

M306V5ME-XXXSP
M306V5EESP

SINGLE-CHIP 16-BIT CMOS MICROCOMPUTER with CLOSED CAPTION DECODER
and ON-SCREEN DISPLAY CONTROLLER

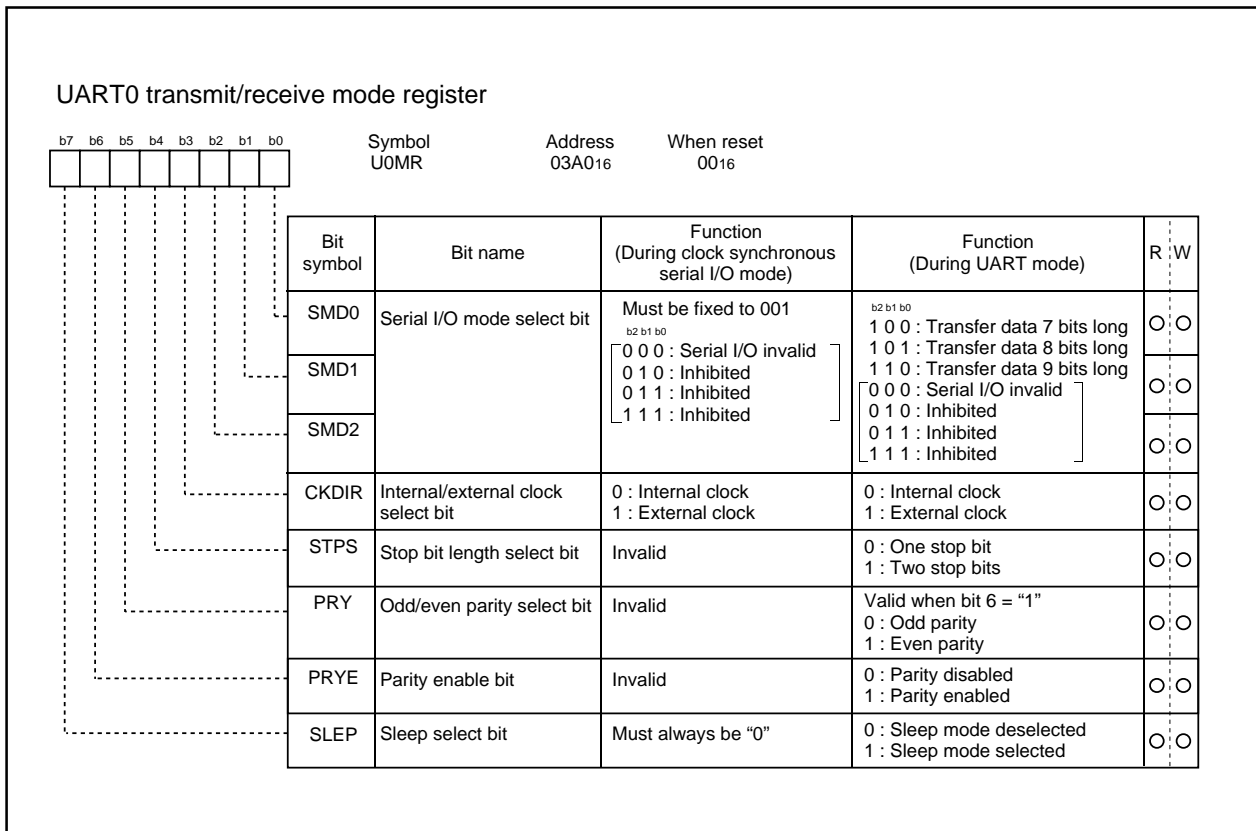


Figure 2.11.7 UART0 transmit/receive mode register

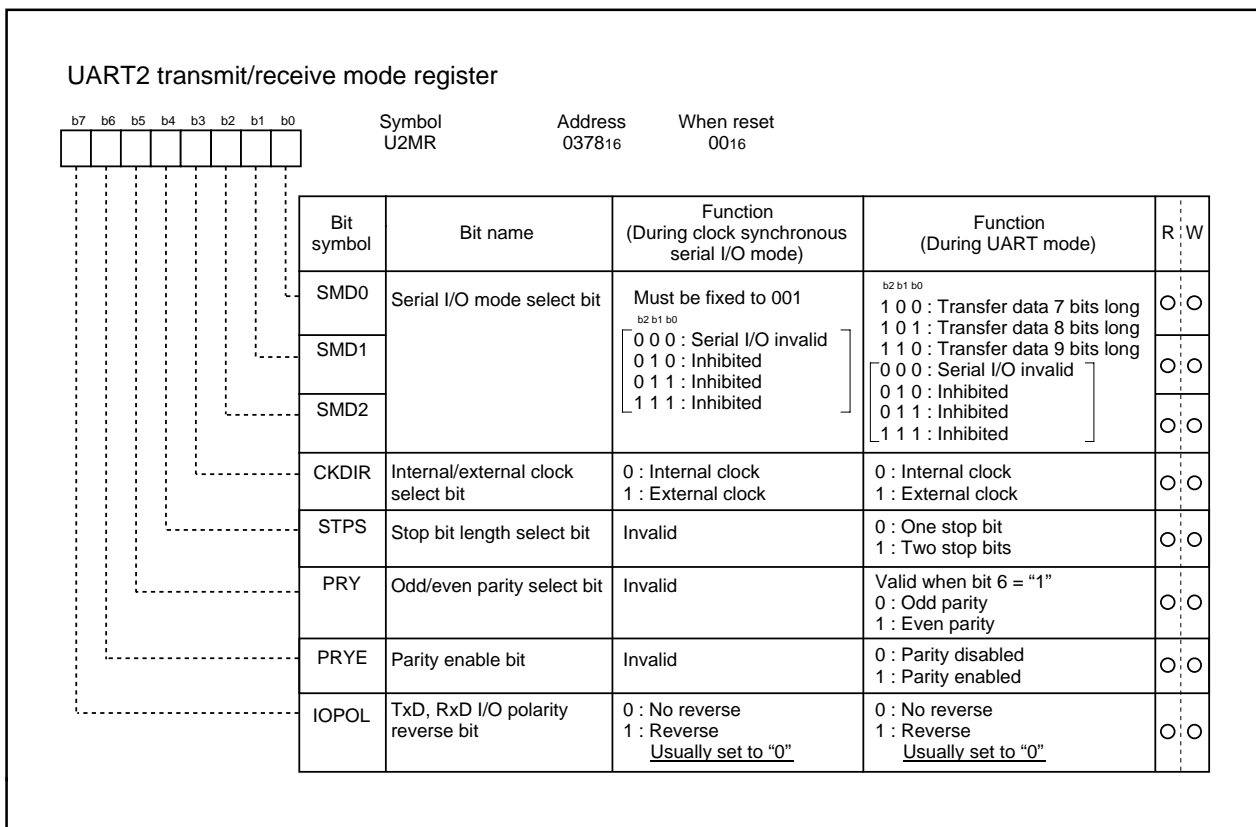


Figure 2.11.8 UART2 transmit/receive mode register

M306V5ME-XXXSP
M306V5EESP

SINGLE-CHIP 16-BIT CMOS MICROCOMPUTER with CLOSED CAPTION DECODER
and ON-SCREEN DISPLAY CONTROLLER

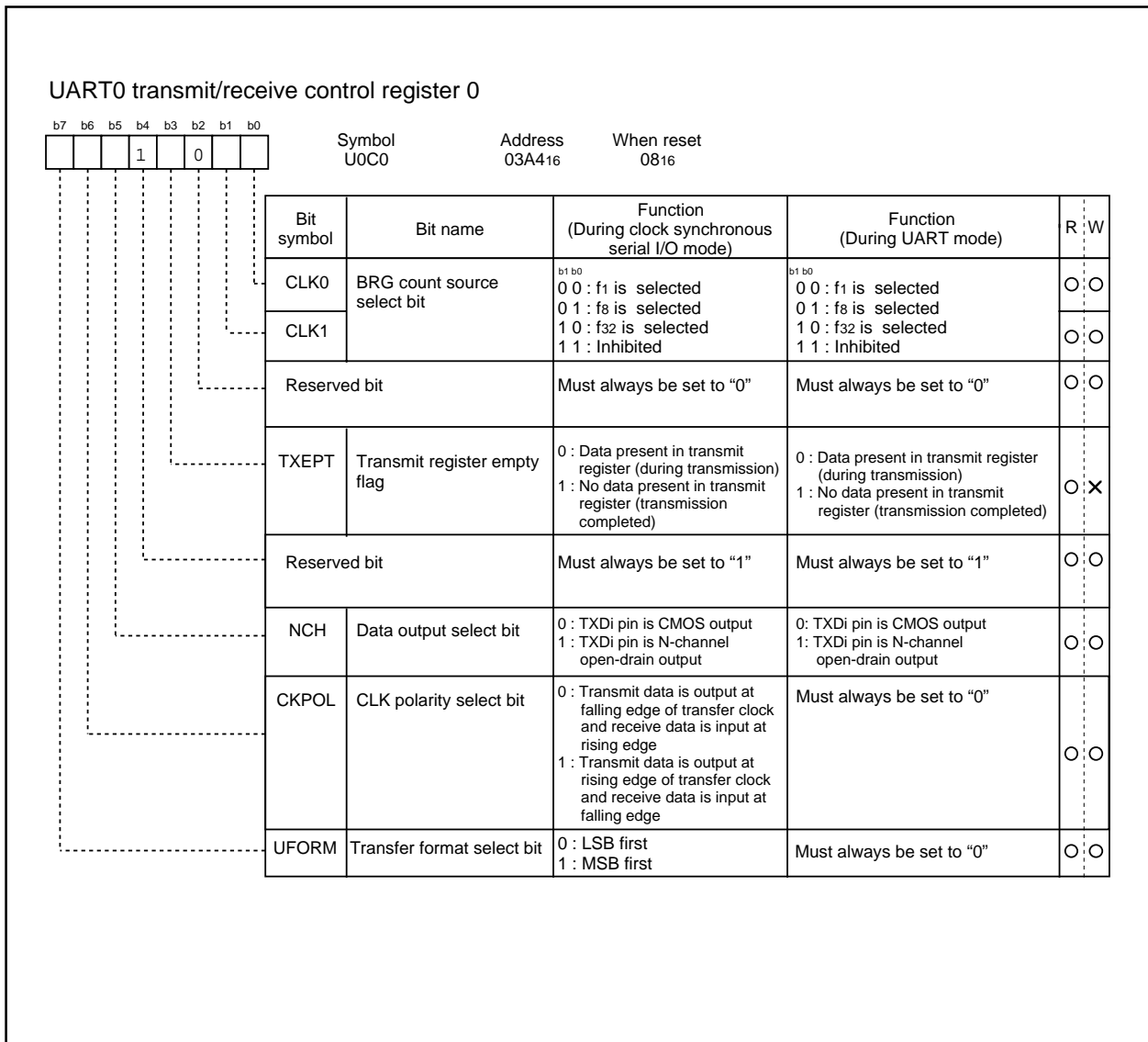


Figure 2.11.9 UART0 transmit/receive control register 0

M306V5ME-XXXSP
M306V5EESP

SINGLE-CHIP 16-BIT CMOS MICROCOMPUTER with CLOSED CAPTION DECODER
and ON-SCREEN DISPLAY CONTROLLER

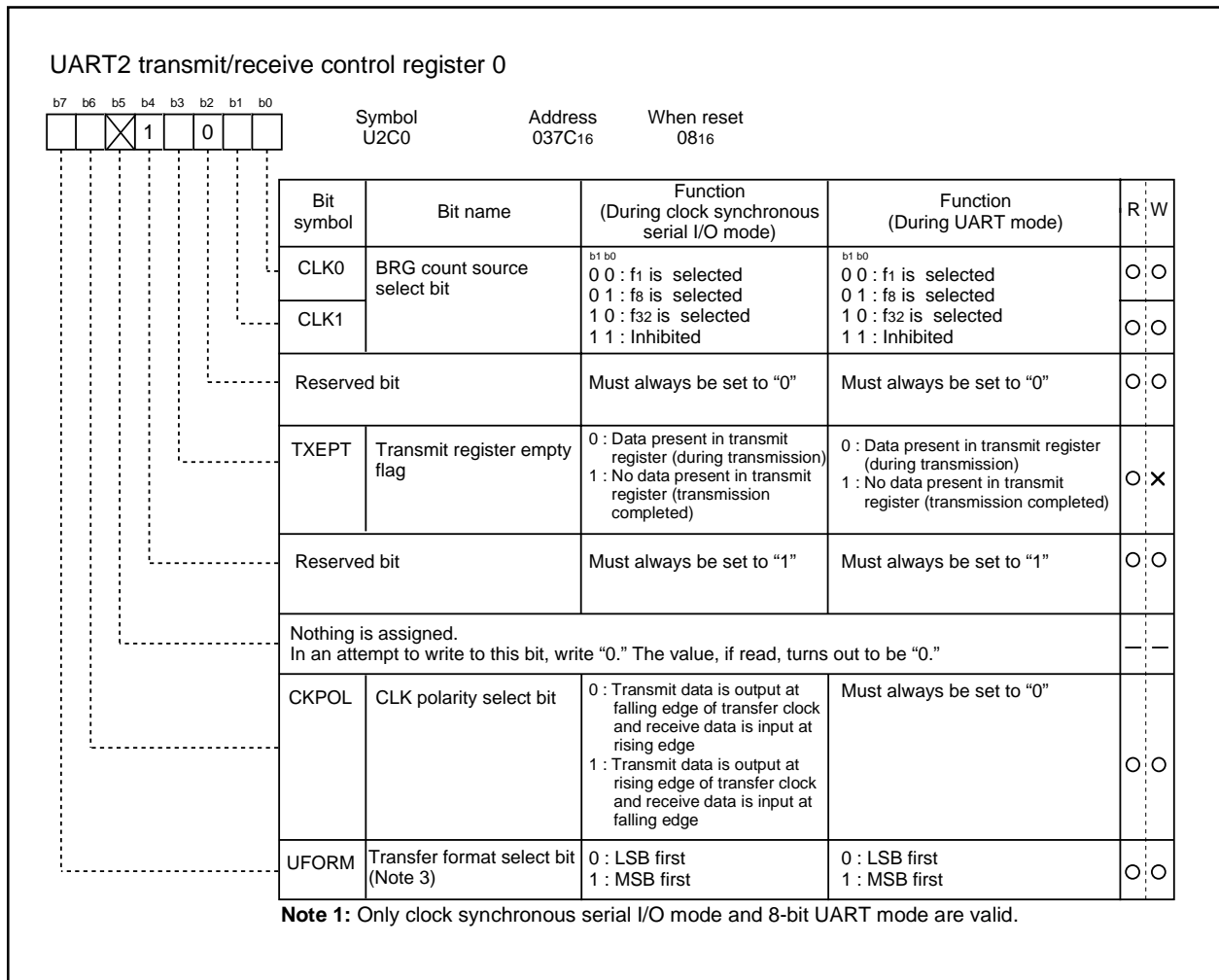


Figure 2.11.10 UART2 transmit/receive control register 0

M306V5ME-XXXSP
M306V5EESP

SINGLE-CHIP 16-BIT CMOS MICROCOMPUTER with CLOSED CAPTION DECODER
and ON-SCREEN DISPLAY CONTROLLER

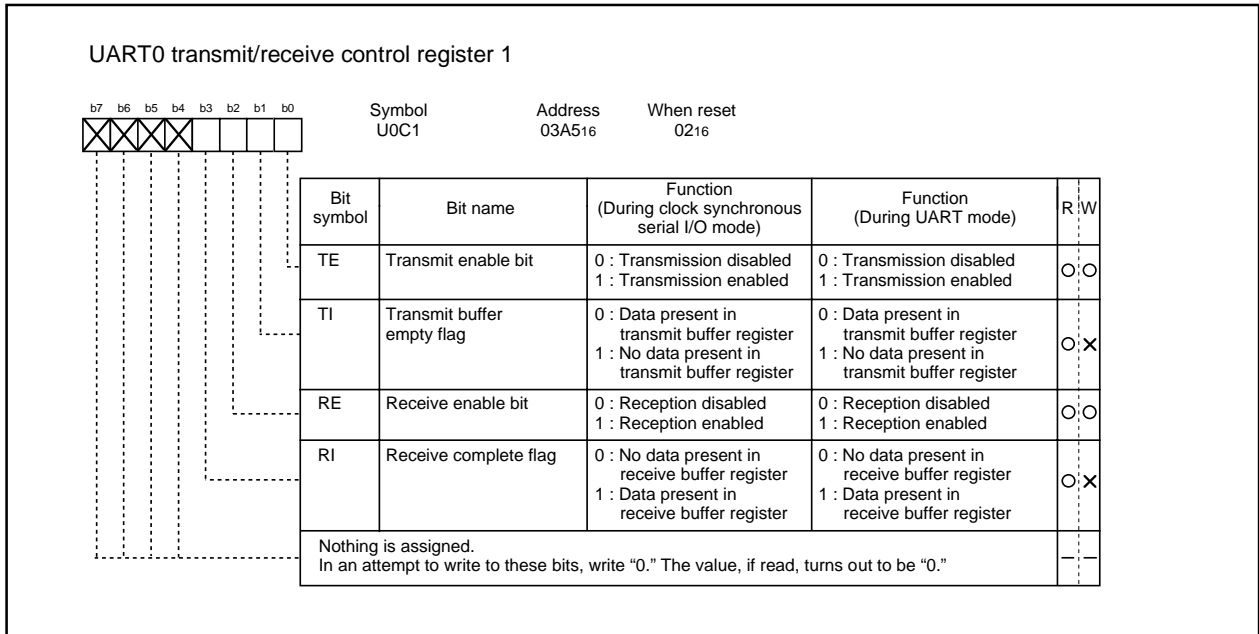


Figure 2.11.11 UART0 transmit/receive control register 1

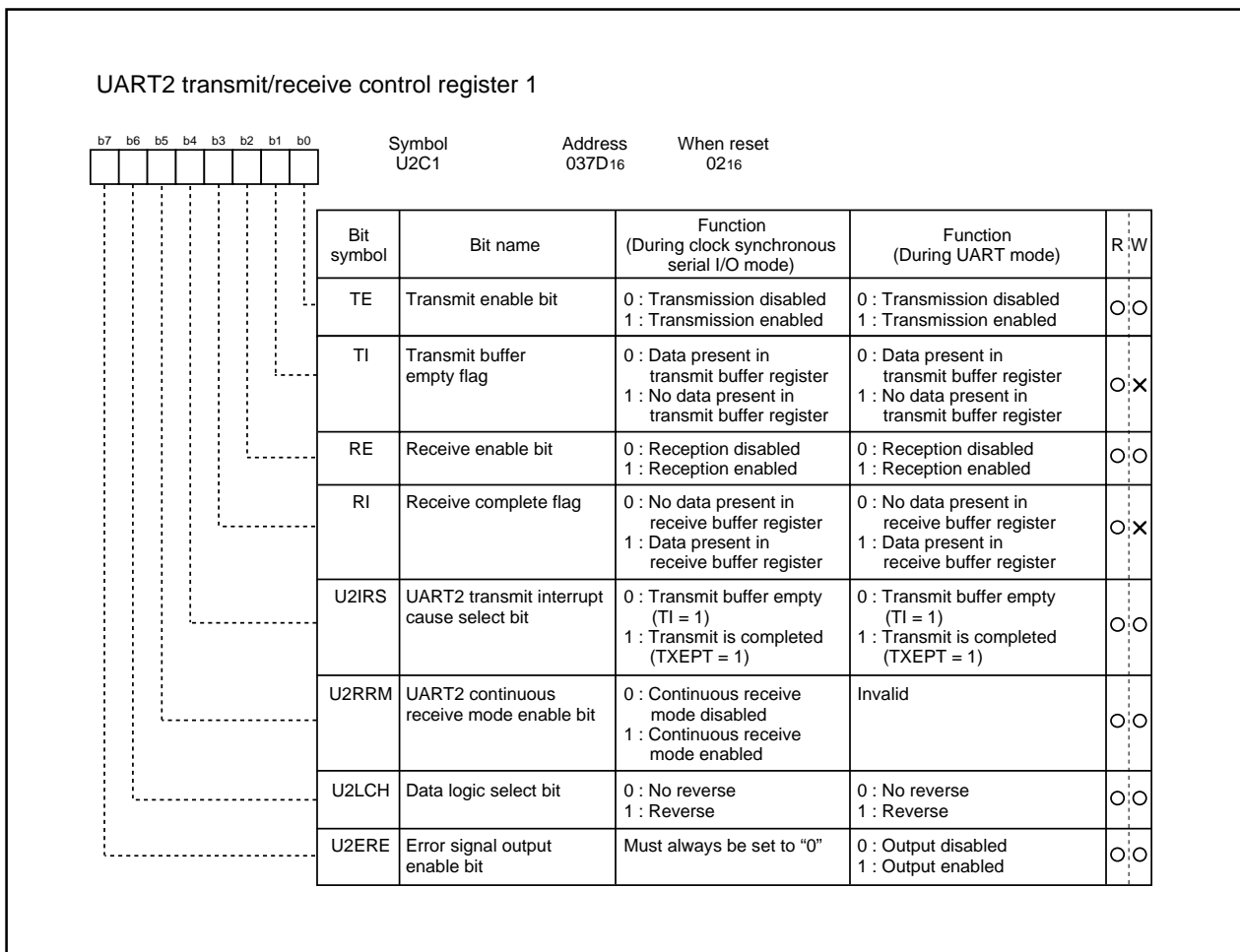


Figure 2.11.12 UART2 transmit/receive control register 1

M306V5ME-XXXSP
M306V5EESP

SINGLE-CHIP 16-BIT CMOS MICROCOMPUTER with CLOSED CAPTION DECODER
and ON-SCREEN DISPLAY CONTROLLER

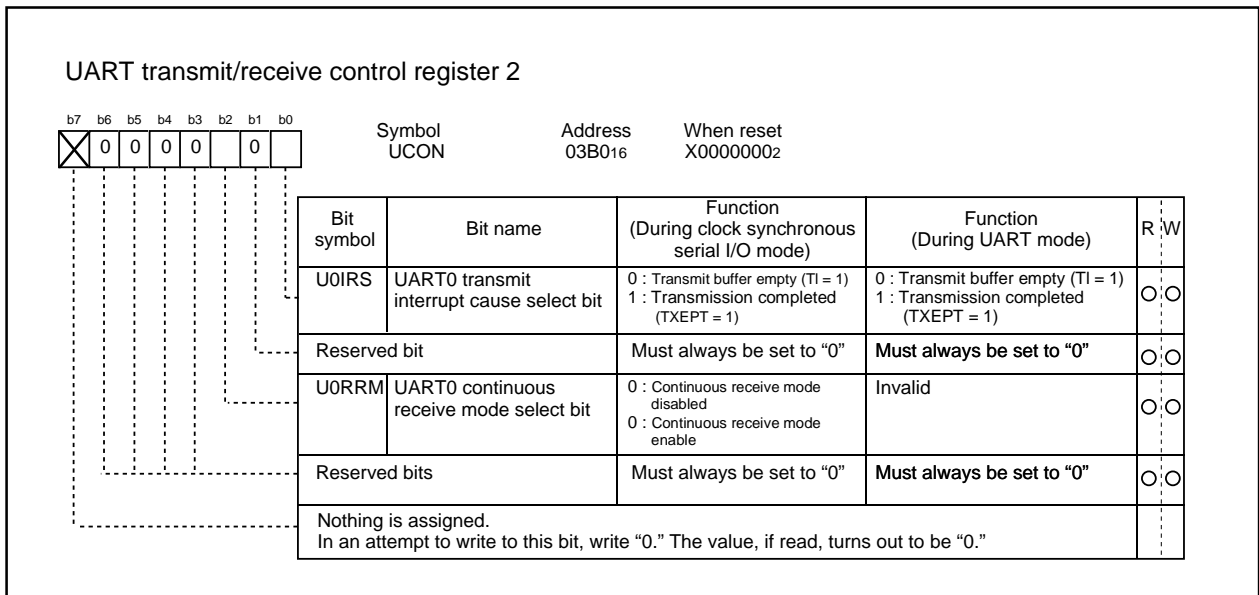


Figure 2.11.13 UART transmit/receive control register 2

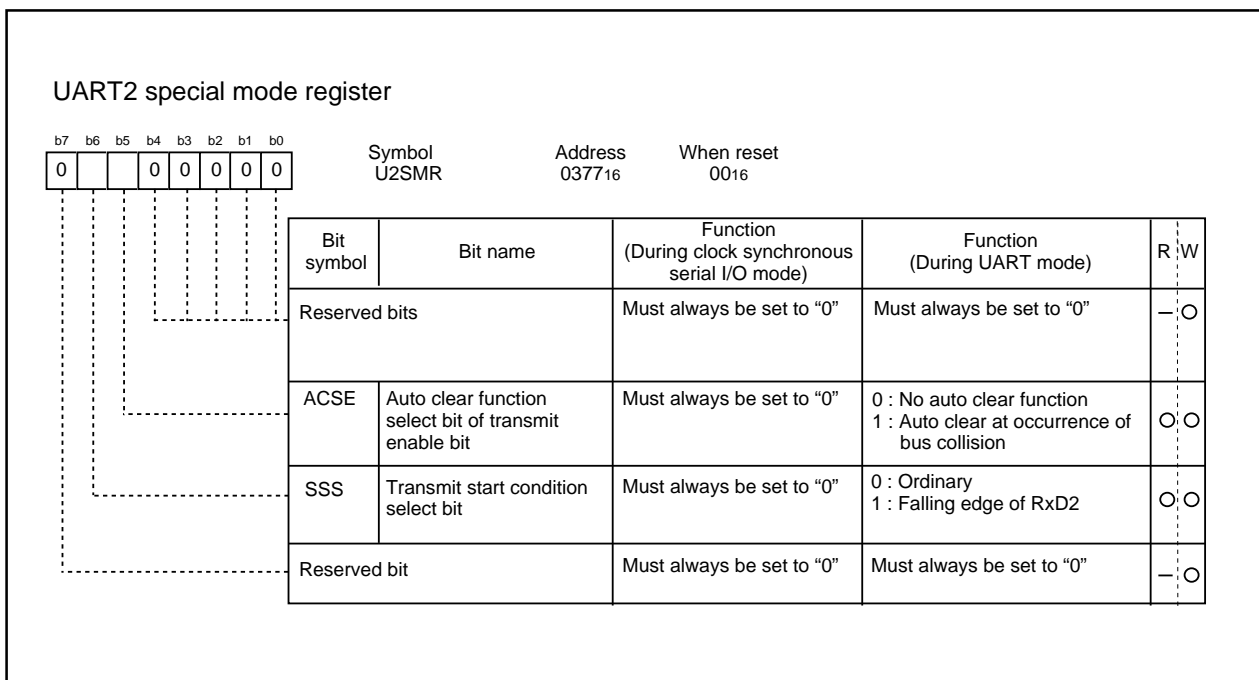


Figure 2.11.14 UART2 special mode register

2.11.2 Clock Synchronous Serial I/O Mode

The clock synchronous serial I/O mode uses a transfer clock to transmit and receive data. Tables 2.11.2 and 2.11.3 list the specifications of the clock synchronous serial I/O mode. Figures 2.11.15 and 2.11.16 show the UARTi transmit/receive mode register in clock synchronous serial I/O mode.

Table 2.11.2 Specifications of clock synchronous serial I/O mode (1)

Item	Specification
Transfer data format Transfer clock	<ul style="list-style-type: none"> • Transfer data length: 8 bits • When internal clock is selected (bit 3 at addresses 03A0₁₆, 0378₁₆ = "0") : f_i / 2⁽ⁿ⁺¹⁾ (Note 1) f_i = f₁, f₈, f₃₂ • When external clock is selected (bit 3 at addresses 03A0₁₆, 0378₁₆ = "1") : Input from CLKi pin
Transmission start condition	<ul style="list-style-type: none"> • To start transmission, the following requirements must be met: <ul style="list-style-type: none"> – Transmit enable bit (bit 0 at addresses 03A5₁₆, 037D₁₆) = "1" – Transmit buffer empty flag (bit 1 at addresses 03A5₁₆, 037D₁₆) = "0" • Furthermore, if external clock is selected, the following requirements must also be met: <ul style="list-style-type: none"> – CLKi polarity select bit (bit 6 at addresses 03A4₁₆, 037C₁₆) = "0": CLKi input level = "H" – CLKi polarity select bit (bit 6 at addresses 03A4₁₆, 037C₁₆) = "1": CLKi input level = "L"
Reception start condition	<ul style="list-style-type: none"> • To start reception, the following requirements must be met: <ul style="list-style-type: none"> – Receive enable bit (bit 2 at addresses 03A5₁₆, 037D₁₆) = "1" – Transmit enable bit (bit 0 at addresses 03A5₁₆, 037D₁₆) = "1" – Transmit buffer empty flag (bit 1 at addresses 03A5₁₆, 037D₁₆) = "0" • Furthermore, if external clock is selected, the following requirements must also be met: <ul style="list-style-type: none"> – CLKi polarity select bit (bit 6 at addresses 03A4₁₆, 037C₁₆) = "0": CLKi input level = "H" – CLKi polarity select bit (bit 6 at addresses 03A4₁₆, 037C₁₆) = "1": CLKi input level = "L"
Interrupt request generation timing	<ul style="list-style-type: none"> • When transmitting <ul style="list-style-type: none"> – Transmit interrupt cause select bit (bit 0 at address 03B0₁₆, bit 4 at address 037D₁₆) = "0": Interrupts requested when data transfer from UARTi transfer buffer register to UARTi transmit register is completed – Transmit interrupt cause select bit (bit 0 at address 03B0₁₆, bit 4 at address 037D₁₆) = "1": Interrupts requested when data transmission from UARTi transfer register is completed • When receiving <ul style="list-style-type: none"> – Interrupts requested when data transfer from UARTi receive register to UARTi receive buffer register is completed
Error detection	<ul style="list-style-type: none"> • Overrun error (Note 2) This error occurs when the next data is ready before contents of UARTi receive buffer register are read out

Table 2.11.3 Specifications of clock synchronous serial I/O mode (2)

Item	Specification
Select function	<ul style="list-style-type: none"> • CLK polarity selection Whether transmit data is output/input at the rising edge or falling edge of the transfer clock can be selected • LSB first/MSB first selection Whether transmission/reception begins with bit 0 or bit 7 can be selected • Continuous receive mode selection Reception is enabled simultaneously by a read from the receive buffer register • Switching serial data logic (UART2) Whether to reverse data in writing to the transmission buffer register or reading the reception buffer register can be selected. • TxD, RxD I/O polarity reverse (UART2) This function is reversing TxD port output and RxD port input. All I/O data level is reversed.

Notes 1: “n” denotes the value 00₁₆ to FF₁₆ that is set to the UART bit rate generator.

2: If an overrun error occurs, the UART_i receive buffer will have the next data written in. Note also that the UART_i receive interrupt request bit is not set to “1”.

M306V5ME-XXXSP
M306V5EESP

SINGLE-CHIP 16-BIT CMOS MICROCOMPUTER with CLOSED CAPTION DECODER
and ON-SCREEN DISPLAY CONTROLLER

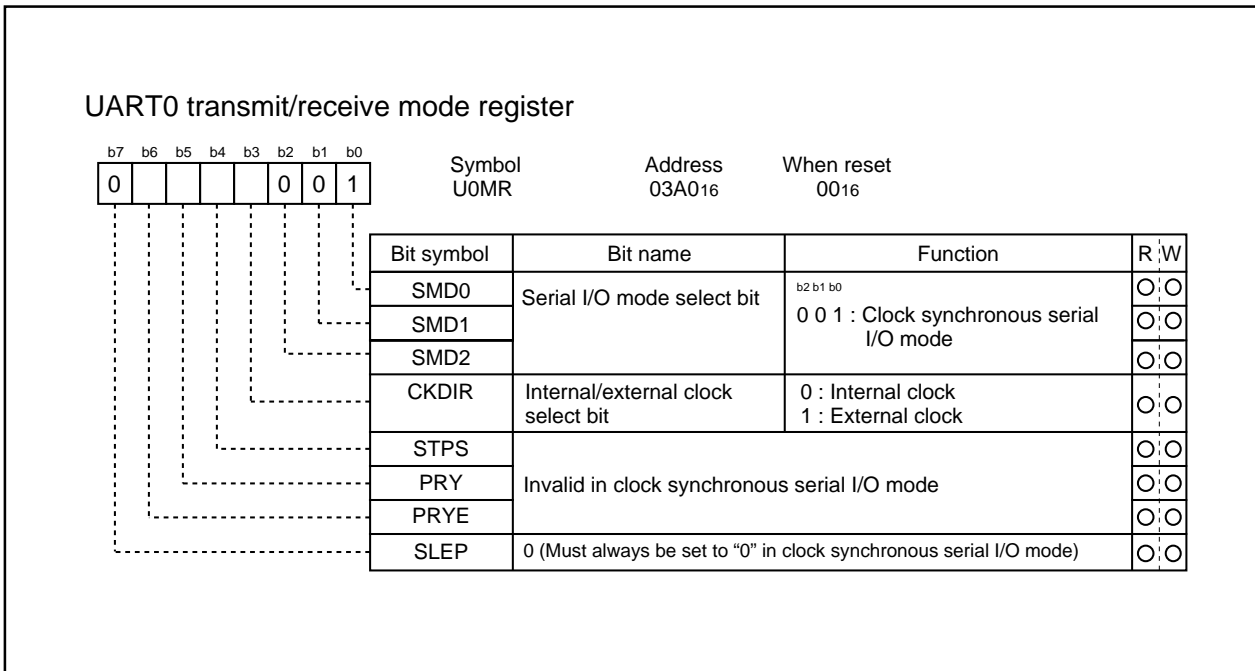


Figure 2.11.15 UART0 transmit/receive mode registers in clock synchronous serial I/O mode

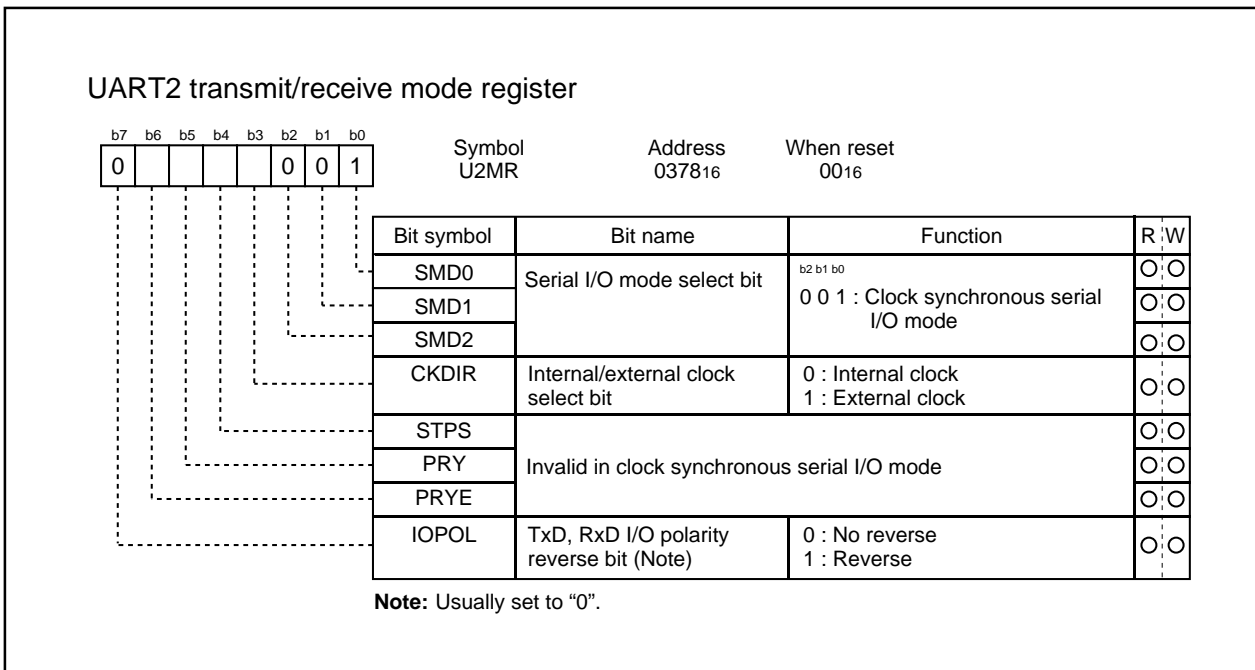


Figure 2.11.16 UART2 transmit/receive mode register in clock synchronous serial I/O mode

M306V5ME-XXXSP

M306V5EESP

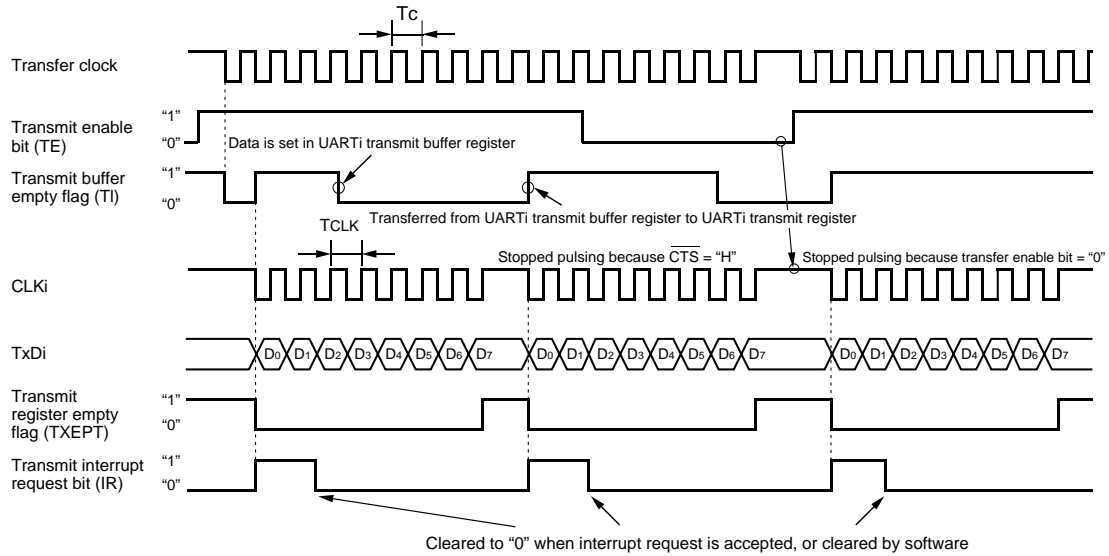
SINGLE-CHIP 16-BIT CMOS MICROCOMPUTER with CLOSED CAPTION DECODER
and ON-SCREEN DISPLAY CONTROLLER

Table 2.11.4 lists the functions of the input/output pins during clock synchronous serial I/O mode. Note that for a period from when the UARTi operation mode is selected to when transfer starts, the TxDi pin outputs a "H". (If the N-channel open-drain is selected, this pin is in floating state.)

Table 2.11.4 Input/output pin functions in clock synchronous serial I/O mode

Pin name	Function	Method of selection
TxDi (P63, P70)	Serial data output	(Outputs dummy data when performing reception only)
RxDi (P62, P71)	Serial data input	Port P62 and P71 direction register (bits 2 at address 03EE 16, bit 1 at address 03EF 16) = "0" (Can be used as an input port when performing transmission only)
CLKi (P55, P72)	Transfer clock output	Internal/external clock select bit (bit 3 at address 03A0 16, 0378 16) = "0" Port P55 and P72 direction register (bit 5 at address 03EB 16, bit 2 at address 03EF 16) = "0"
	Transfer clock input	Internal/external clock select bit (bit 3 at address 03A0 16, 0378 16) = "1" Port P55 and P72 direction register (bit 5 at address 03EB 16, bit 2 at address 03EF 16) = "0"

• Example of transmit timing (when internal clock is selected)



• Example of receive timing (when external clock is selected)

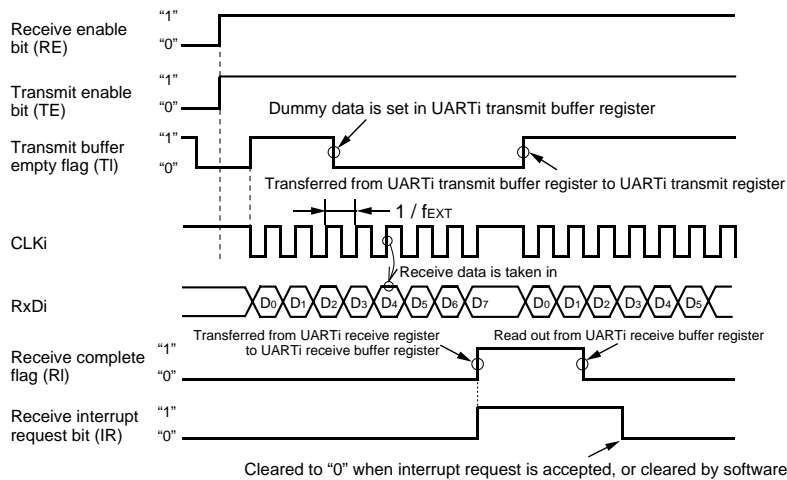


Figure 2.11.17 Typical transmit/receive timings in clock synchronous serial I/O mode

(1) Polarity select function

As shown in Figure 2.11.18, the CLK polarity select bit (bit 6 at addresses 03A4₁₆, 037C₁₆) allows selection of the polarity of the transfer clock.

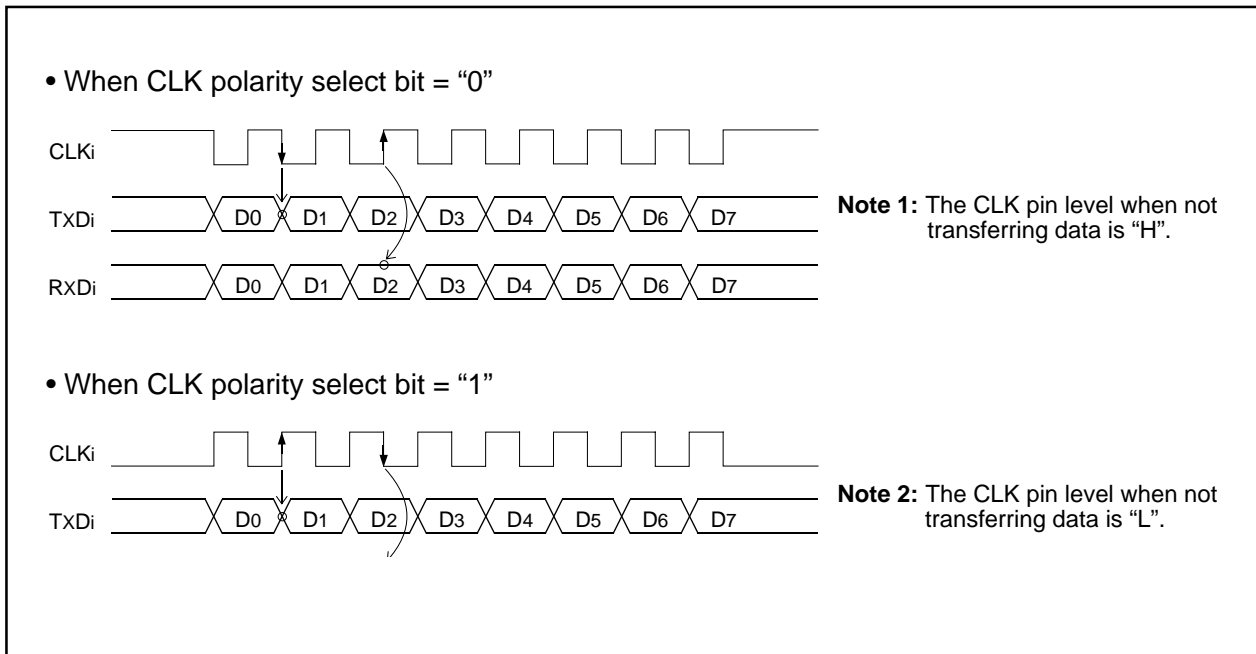


Figure 2.11.18 Polarity of transfer clock

(2) LSB first/MSB first select function

As shown in Figure 2.11.19, when the transfer format select bit (bit 7 at addresses 03A4₁₆, 037C₁₆) = "0", the transfer format is "LSB first"; when the bit = "1", the transfer format is "MSB first".

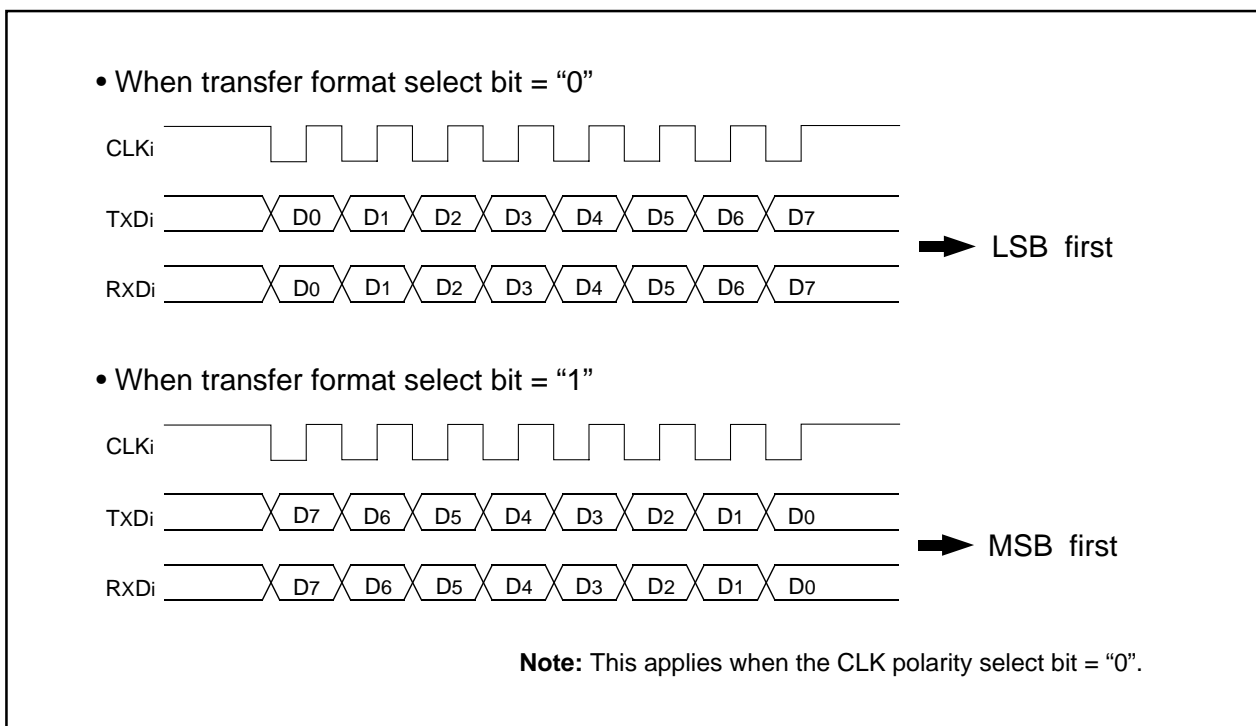


Figure 2.11.19 Transfer format

(3) Continuous receive mode

If the continuous receive mode enable bit (bits 2 at address 03B0₁₆, bit 5 at address 037D₁₆) is set to "1", the unit is placed in continuous receive mode. In this mode, when the receive buffer register is read out, the unit simultaneously goes to a receive enable state without having to set dummy data to the transmit buffer register back again.

(4) Serial data logic switch function (UART2)

When the data logic select bit (bit6 at address 037D₁₆) = "1", and writing to transmit buffer register or reading from receive buffer register, data is reversed. Figure 2.11.20 shows the example of serial data logic switch timing.

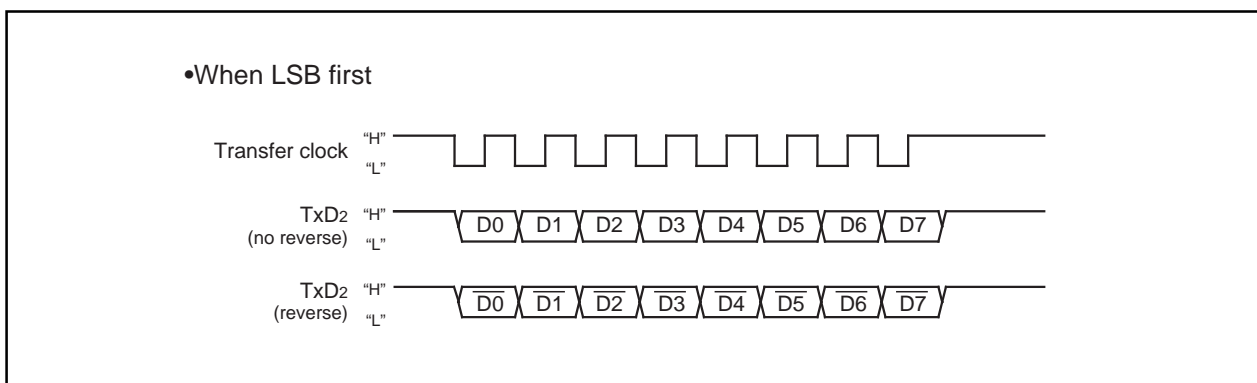


Figure 2.11.20 Serial data logic switch timing

2.11.3 Clock Asynchronous Serial I/O (UART) Mode

The UART mode allows transmitting and receiving data after setting the desired transfer rate and transfer data format. Tables 2.11.5 and 2.11.6 list the specifications of the UART mode. Figure 2.11.21 and 2.11.22 show the UARTi transmit/receive mode register in UART mode.

Table 2.11.5 Specifications of UART Mode (1)

Item	Specification
Transfer data format	<ul style="list-style-type: none"> • Character bit (transfer data): 7 bits, 8 bits, or 9 bits as selected • Start bit: 1 bit • Parity bit: Odd, even, or nothing as selected • Stop bit: 1 bit or 2 bits as selected
Transfer clock	<ul style="list-style-type: none"> • When internal clock is selected (bit 3 at addresses 03A0₁₆, 0378₁₆ = "0") : f_i/16(n+1) (Note 1) f_i = f₁, f₈, f₃₂ • When external clock is selected (bit 3 at addresses 03A0₁₆, 0378₁₆ = "1") : f_{EXT}/16(n+1)(Note 1) (Note 2)
Transmission start condition	<ul style="list-style-type: none"> • To start transmission, the following requirements must be met: <ul style="list-style-type: none"> - Transmit enable bit (bit 0 at addresses 03A5₁₆, 037D₁₆) = "1" - Transmit buffer empty flag (bit 1 at addresses 03A5₁₆, 037D₁₆) = "0"
Reception start condition	<ul style="list-style-type: none"> • To start reception, the following requirements must be met: <ul style="list-style-type: none"> - Receive enable bit (bit 2 at addresses 03A5₁₆, 037D₁₆) = "1" - Start bit detection
Interrupt request generation timing	<ul style="list-style-type: none"> • When transmitting <ul style="list-style-type: none"> - Transmit interrupt cause select bits (bits 0 at address 03B0₁₆, bit4 at address 037D₁₆) = "0": Interrupts requested when data transfer from UARTi transfer buffer register to UARTi transmit register is completed - Transmit interrupt cause select bits (bits 0 at address 03B0₁₆, bit4 at address 037D₁₆) = "1": Interrupts requested when data transmission from UARTi transfer register is completed • When receiving <ul style="list-style-type: none"> - Interrupts requested when data transfer from UARTi receive register to UARTi receive buffer register is completed
Error detection	<ul style="list-style-type: none"> • Overrun error (Note 3) This error occurs when the next data is ready before contents of UARTi receive buffer register are read out • Framing error This error occurs when the number of stop bits set is not detected • Parity error This error occurs when if parity is enabled, the number of 1's in parity and character bits does not match the number of 1's set • Error sum flag This flag is set (= 1) when any of the overrun, framing, and parity errors is encountered

M306V5ME-XXXSP
M306V5EESP

SINGLE-CHIP 16-BIT CMOS MICROCOMPUTER with CLOSED CAPTION DECODER
 and ON-SCREEN DISPLAY CONTROLLER

Table 2.11.6 Specifications of UART Mode (2)

Item	Specification
Select function	<ul style="list-style-type: none"> • Sleep mode selection (UART0) This mode is used to transfer data to and from one of multiple slave micro-computers • Serial data logic switch (UART2) This function is reversing logic value of transferring data. Start bit, parity bit and stop bit are not reversed. • TxD, RxD I/O polarity switch This function is reversing TxD port output and RxD port input. All I/O data level is reversed.

Notes 1: 'n' denotes the value 00₁₆ to FF₁₆ that is set to the UART_i bit rate generator.

2: f_{EXT} is input from the CLK_i pin.

3: If an overrun error occurs, the UART_i receive buffer will have the next data written in. Note also that the UART_i receive interrupt request bit is not set to "1".

M306V5ME-XXXSP
M306V5EESP

SINGLE-CHIP 16-BIT CMOS MICROCOMPUTER with CLOSED CAPTION DECODER
and ON-SCREEN DISPLAY CONTROLLER

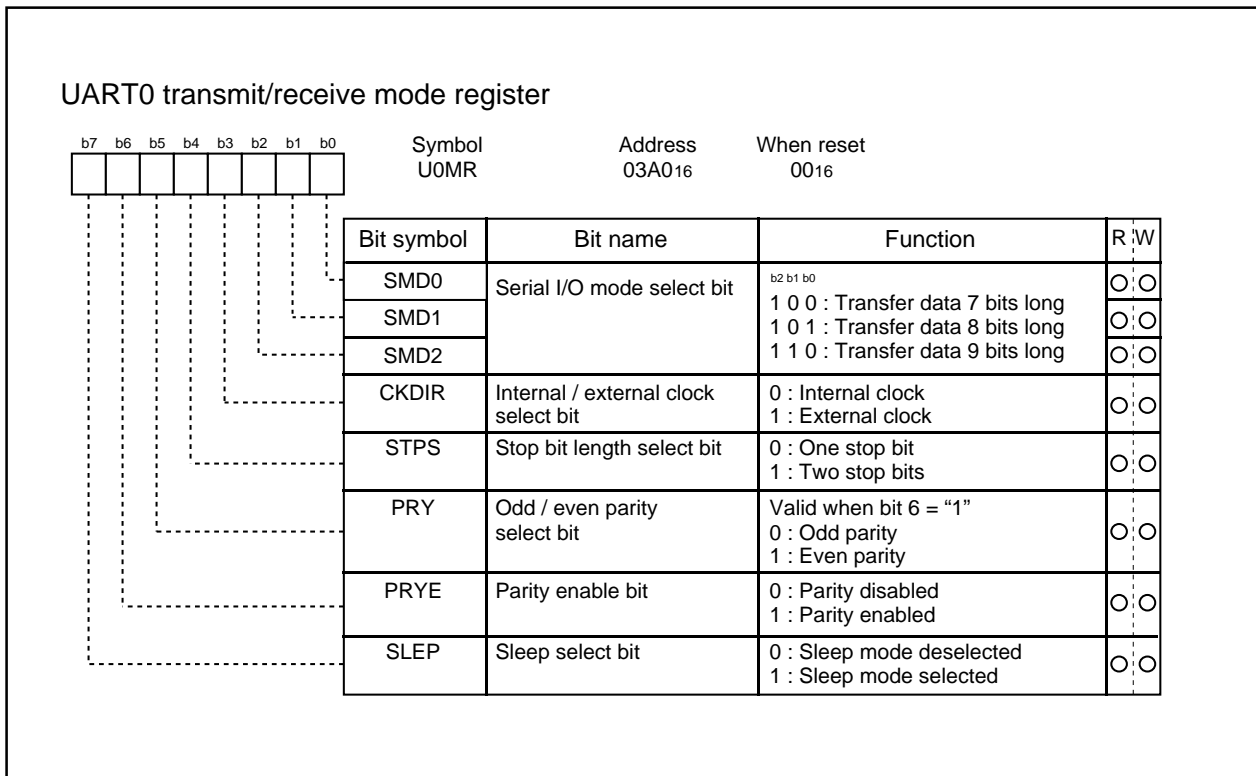


Figure 2.11.21 UART0 transmit/receive mode register in UART mode

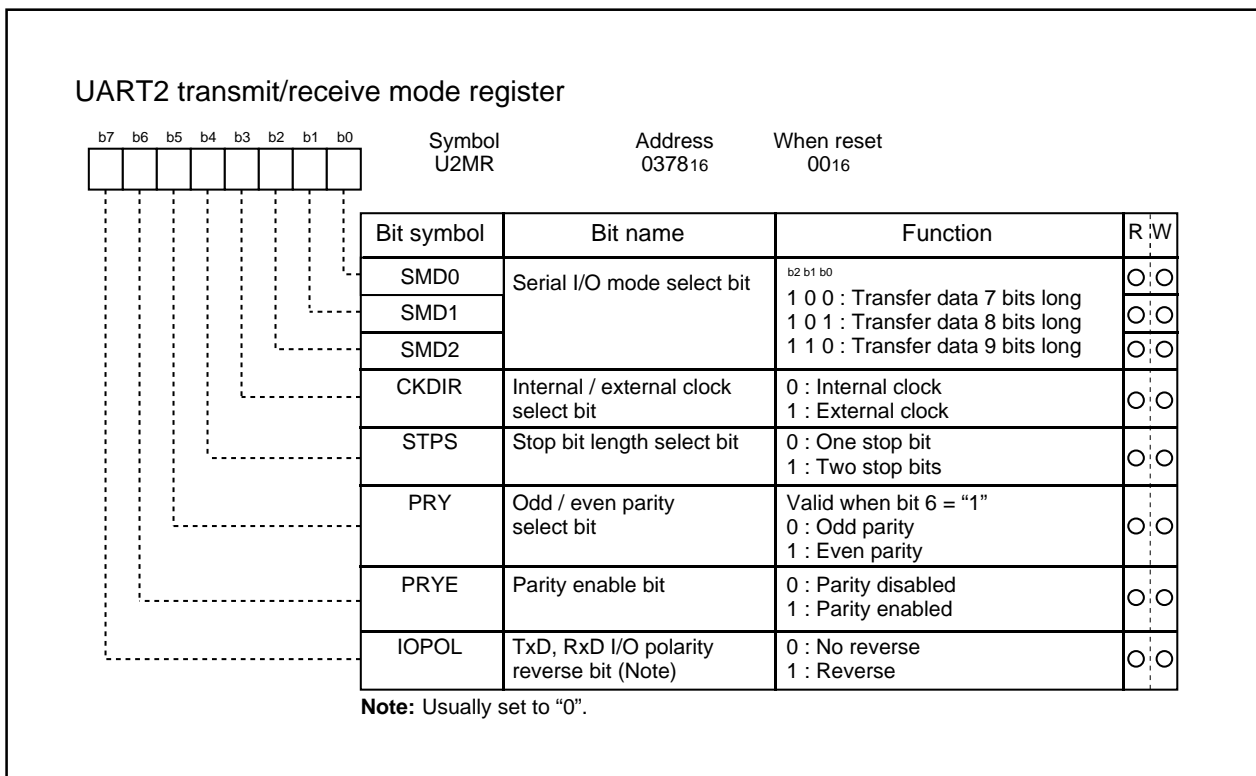


Figure 2.11.22 UART2 transmit/receive mode register in UART mode

M306V5ME-XXXSP
M306V5EESP

SINGLE-CHIP 16-BIT CMOS MICROCOMPUTER with CLOSED CAPTION DECODER
and ON-SCREEN DISPLAY CONTROLLER

Table 2.11.7 lists the functions of the input/output pins during UART mode. Note that for a period from when the UARTi operation mode is selected to when transfer starts, the TxDi pin outputs a "H". (If the N-channel open-drain is selected, this pin is in floating state.)

Table 2.11.7 Input/output pin functions in UART mode

Pin name	Function	Method of selection
TxDi (P63, P70)	Serial data output	
RxDi (P62, P71)	Serial data input	Port P62 and P71 direction register (bit 2 at address 03EE ₁₆ , bit 1 at address 03EF ₁₆) = "0" (Can be used as an input port when performing transmission only)
CLKi (P55, P72)	Programmable input port	Internal/external clock select bit (bit 3 at address 03A0 ₁₆ , 0378 ₁₆) = "0" Port P55 and P72 direction register (bit 5 at address 03EB ₁₆ , bit 2 at address 03EF ₁₆) = "0"
	Transfer clock input	Internal/external clock select bit (bit 3 at address 03A0 ₁₆ , 0378 ₁₆) = "1" Port P55 and P72 direction register (bit 5 at address 03EB ₁₆ , bit 2 at address 03EF ₁₆) = "0"

M306V5ME-XXXSP
M306V5EESP

SINGLE-CHIP 16-BIT CMOS MICROCOMPUTER with CLOSED CAPTION DECODER
and ON-SCREEN DISPLAY CONTROLLER

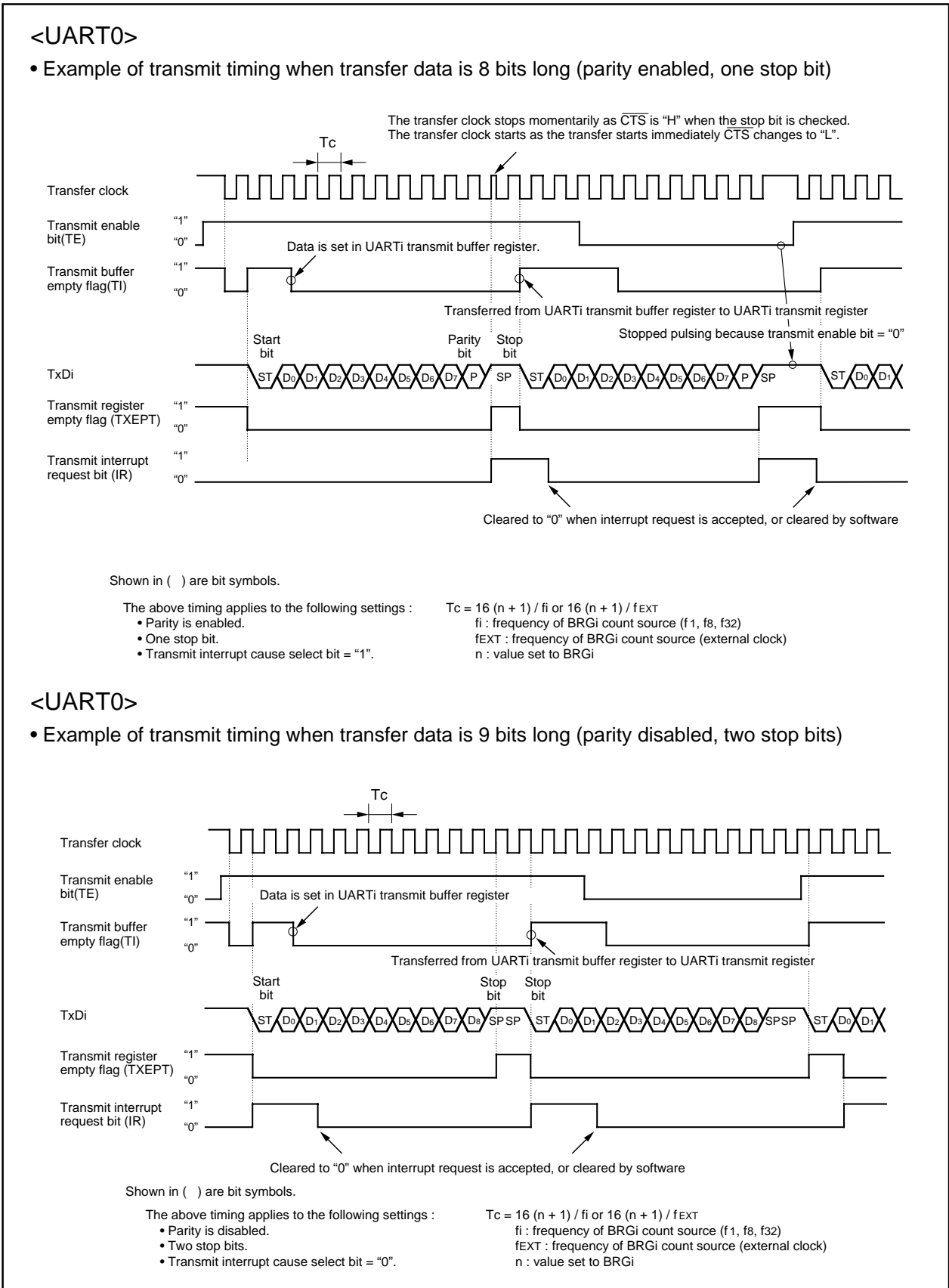
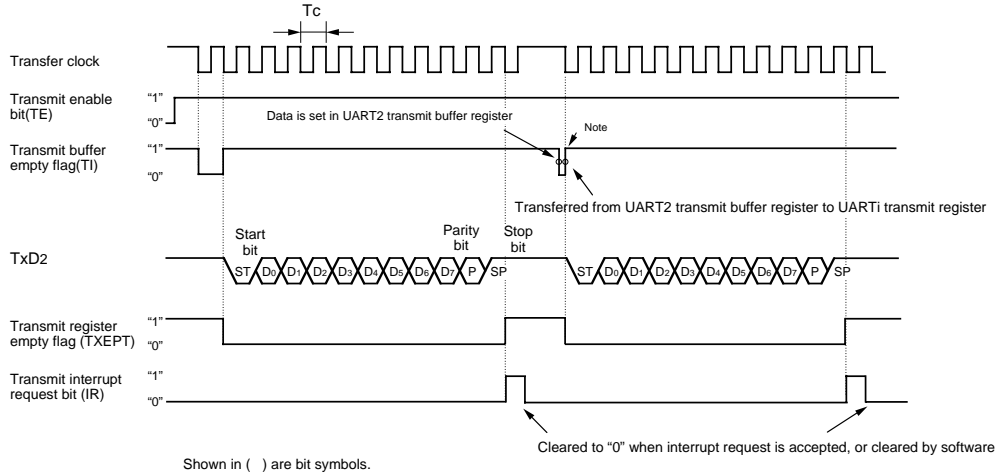


Figure 2.11.23 Typical transmit/receive timings in UART mode

<UART2>

- Example of transmit timing when transfer data is 8 bits long (parity enabled, one stop bit)



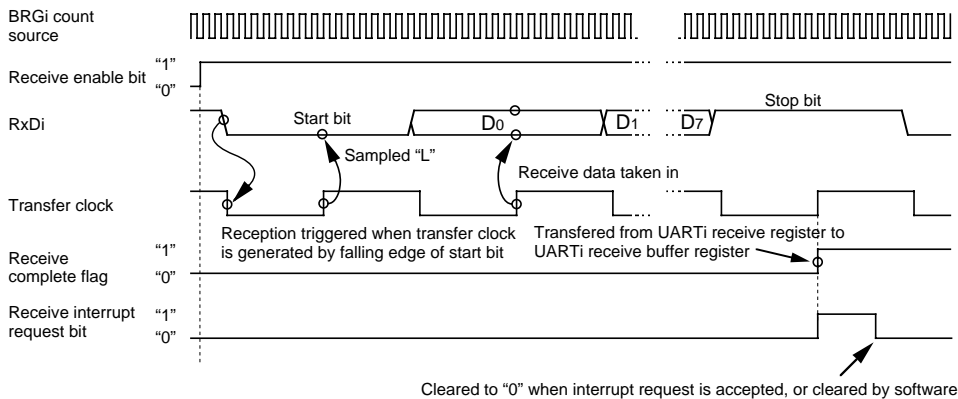
Shown in () are bit symbols.

The above timing applies to the following settings : $T_c = 16(n + 1) / f_i$
 • Parity is enabled. f_i : frequency of BRG2 count source (f_1, f_8, f_{32})
 • One stop bit. n : value set to BRG2
 • Transmit interrupt cause select bit = "1".

Note: The transmit is started with overflow timing of BRG after having written in a value at the transmit buffer in the above timing.

<UART2, UART0>

- Example of receive timing when transfer data is 8 bits long (parity disabled, one stop bit)



The above timing applies to the following settings :
 • Parity is disabled.
 • One stop bit.

Figure 2.11.23 Typical transmit/receive timings in UART mode

(1) Sleep mode (UART0)

This mode is used to transfer data between specific microcomputers among multiple microcomputers connected using UART0. The sleep mode is selected when the sleep select bit (bit 7 at address 03A0₁₆) is set to "1" during reception. In this mode, the unit performs receive operation when the MSB of the received data = "1" and does not perform receive operation when the MSB = "0".

(2) Function for switching serial data logic (UART2)

When the data logic select bit (bit 6 of address 037D₁₆) is assigned 1, data is inverted in writing to the transmission buffer register or reading the reception buffer register. Figure 2.11.24 shows the example of timing for switching serial data logic.

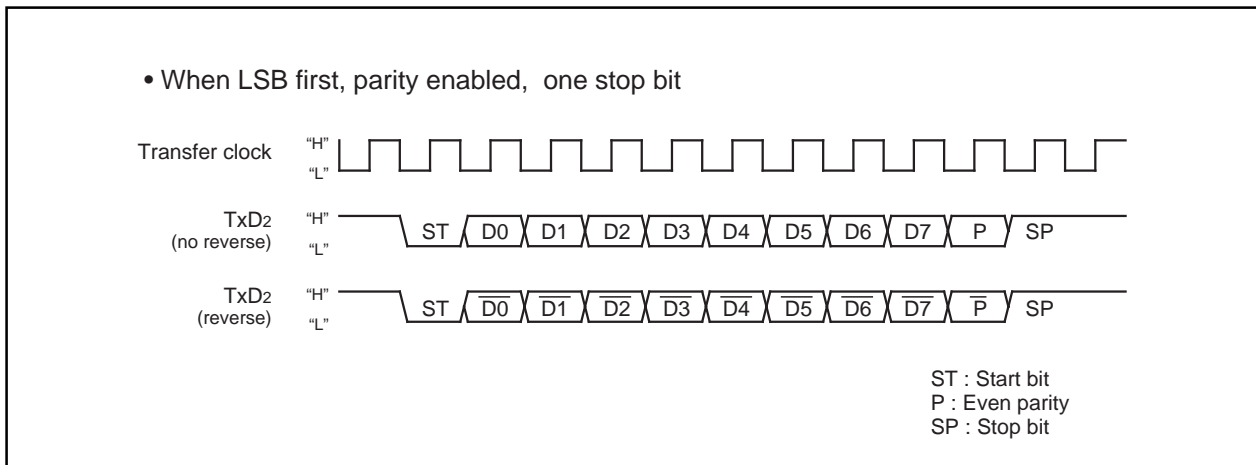


Figure 2.11.24 Timing for switching serial data logic

(3) TxD, RxD I/O polarity reverse function (UART2)

This function is to reverse TxD pin output and RxD pin input. The level of any data to be input or output (including the start bit, stop bit(s), and parity bit) is reversed. Set this function to "0" (not to reverse) for usual use.

(4) Bus collision detection function and other functions (UART2)

This function is to sample the output level of the TxD pin and the input level of the RxD pin at the rising edge of the transfer clock; if their values are different, then an interrupt request occurs. Figure 2.11.26 shows the example of detection timing of a buss collision (in UART mode).

And also, bit 5 of the special UART2 mode register is used as the selection bit for auto clear function select bit of enable bit. Setting this bit to "1" automatically resets the transmit enable bit to "0" when "1" is set in the bus collision detection interrupt request bit (nonconformity) (refer to Figure 2.11.25).

Bit 6 of the special UART2 mode register is used as the transmit start condition select bit. Setting this bit to "1" starts the TxD transmission in synchronization with the falling edge of the RxD terminal (refer to Figure 2.11.26).

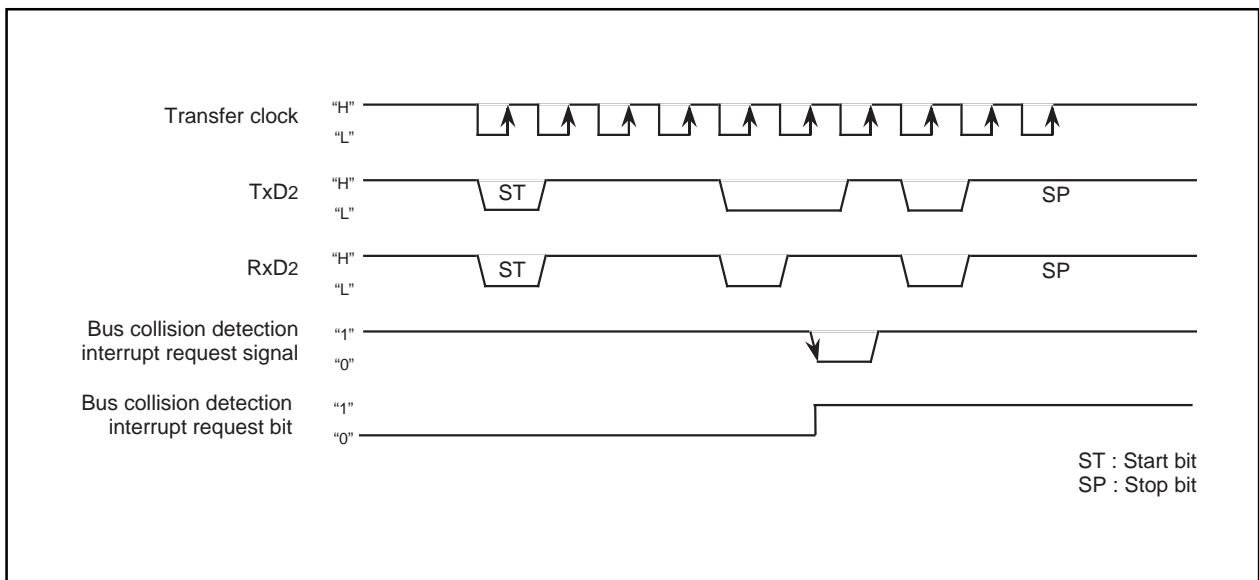


Figure 2.11.25 Detection timing of a bus collision (in UART mode)

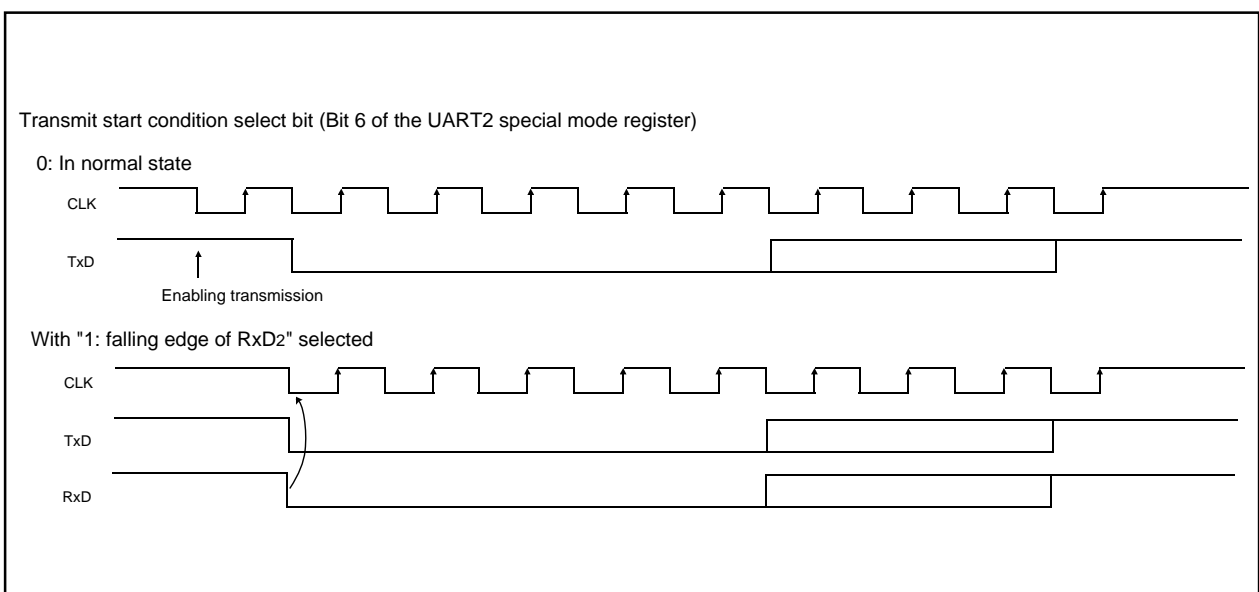


Figure 2.11.26 Some other functions

2.11.4 Clock-asynchronous Serial I/O Mode (Compliant with the SIM Interface)

The SIM interface is used for connecting the microcomputer with a memory card I/C or the like; adding some extra settings in UART2 clock-asynchronous serial I/O mode allows the user to effect this function. Tables 2.11.8 and 2.11.9 show the specifications of clock-asynchronous serial I/O mode (compliant with the SIM interface).

Table 2.11.8 Specifications of clock-asynchronous serial I/O mode (compliant with the SIM interface) (1)

Item	Specification
Transfer data format	<ul style="list-style-type: none"> • Transfer data 8-bit UART mode (bit 2 through bit 0 of address 0378₁₆ = "1012") • One stop bit (bit 4 of address 0378₁₆ = "0") • With the direct format chosen <ul style="list-style-type: none"> Set parity to "even" (bit 5 and bit 6 of address 0378₁₆ = "1" and "1" respectively) Set data logic to "direct" (bit 6 of address 037D₁₆ = "0"). Set transfer format to LSB (bit 7 of address 037C₁₆ = "0"). • With the inverse format chosen <ul style="list-style-type: none"> Set parity to "odd" (bit 5 and bit 6 of address 0378₁₆ = "0" and "1" respectively) Set data logic to "inverse" (bit 6 of address 037D₁₆ = "1") Set transfer format to MSB (bit 7 of address 037C₁₆ = "1")
Transfer clock	<ul style="list-style-type: none"> • With the internal clock chosen (bit 3 of address 0378₁₆ = "0") : $f_i / 16 (n + 1)$ (Note 1) : $f_i = f_1, f_8, f_{32}$ • With an external clock chosen (bit 3 of address 0378₁₆ = "1") : $f_{EXT} / 16 (n+1)$ (Note 1) (Note 2)
Other settings	<ul style="list-style-type: none"> • The sleep mode select function is not available for UART2 • Set transmission interrupt factor to "transmission completed" (bit 4 of address 037D₁₆ = "1")
Transmission start condition	<ul style="list-style-type: none"> • To start transmission, the following requirements must be met: <ul style="list-style-type: none"> - Transmit enable bit (bit 0 of address 037D₁₆) = "1" - Transmit buffer empty flag (bit 1 of address 037D₁₆) = "0"
Reception start condition	<ul style="list-style-type: none"> • To start reception, the following requirements must be met: <ul style="list-style-type: none"> - Reception enable bit (bit 2 of address 037D₁₆) = "1" - Detection of a start bit
Interrupt request generation timing	<ul style="list-style-type: none"> • When transmitting <ul style="list-style-type: none"> When data transmission from the UART2 transfer register is completed (bit 4 of address 037D₁₆ = "1") • When receiving <ul style="list-style-type: none"> When data transfer from the UART2 receive register to the UART2 receive buffer register is completed

Table 2.11.9 Specifications of clock-asynchronous serial I/O mode (compliant with the SIM interface) (2)

Item	Specification
Error detection	<ul style="list-style-type: none"> • Overrun error (see the specifications of clock-asynchronous serial I/O) (Note 3) • Framing error (see the specifications of clock-asynchronous serial I/O) • Parity error (see the specifications of clock-asynchronous serial I/O) <ul style="list-style-type: none"> - On the reception side, an "L" level is output from the TxD2 pin by use of the parity error signal output function (bit 7 of address 037D₁₆ = "1") when a parity error is detected - On the transmission side, a parity error is detected by the level of input to the RxD2 pin when a transmission interrupt occurs • The error sum flag (see the specifications of clock-asynchronous serial I/O)

Notes 1: 'n' denotes the value 00₁₆ to FF₁₆ that is set to the UARTi bit rate generator.

2: f_{EXT} is input from the CLK2 pin.

3: If an overrun error occurs, the UART2 receive buffer will have the next data written in. Note also that the UARTi receive interrupt request bit is not set to "1".

M306V5ME-XXXSP
M306V5EESP

SINGLE-CHIP 16-BIT CMOS MICROCOMPUTER with CLOSED CAPTION DECODER
and ON-SCREEN DISPLAY CONTROLLER

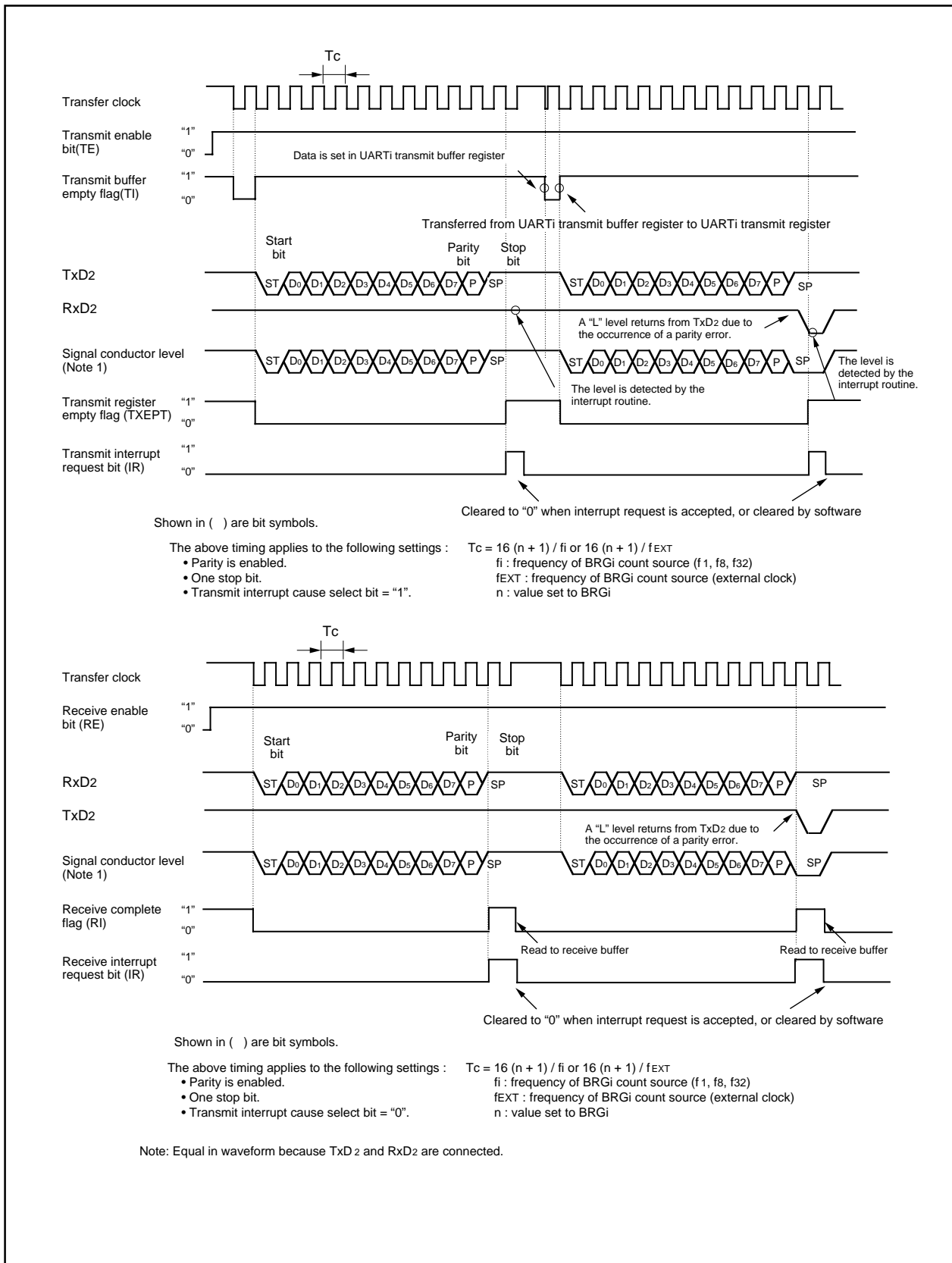


Figure 2.11.27 Typical transmit/receive timing in UART mode (compliant with the SIM interface)

(1) Function for outputting a parity error signal

With the error signal output enable bit (bit 7 of address 037D16) assigned "1", you can output an "L" level from the TxD2 pin when a parity error is detected. In step with this function, the generation timing of a transmission completion interrupt changes to the detection timing of a parity error signal. Figure 2.11.28 shows the output timing of the parity error signal.

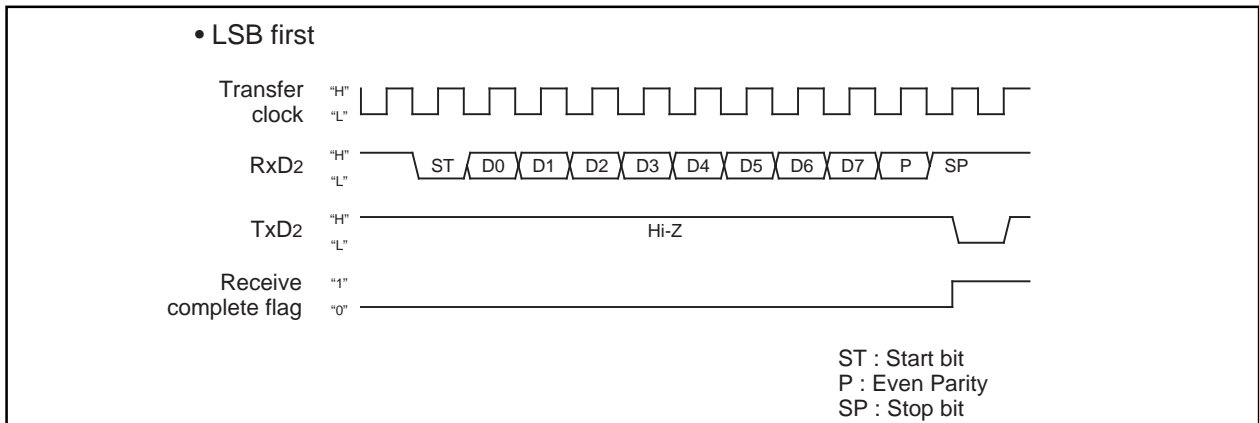


Figure 2.11.28 Output timing of the parity error signal

(2) Direct format/inverse format

Connecting the SIM card allows you to switch between direct format and inverse format. If you choose the direct format, D0 data is output from TxD2. If you choose the inverse format, D7 data is inverted and output from TxD2.

Figure 2.11.29 shows the SIM interface format.

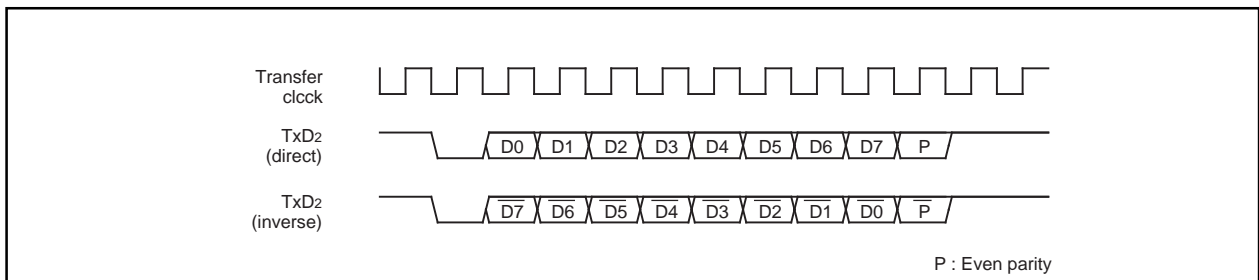


Figure 2.11.29 SIM interface format

Figure 2.11.30 shows the example of connecting the SIM interface. Connect TxD2 and RxD2 and apply pull-up.

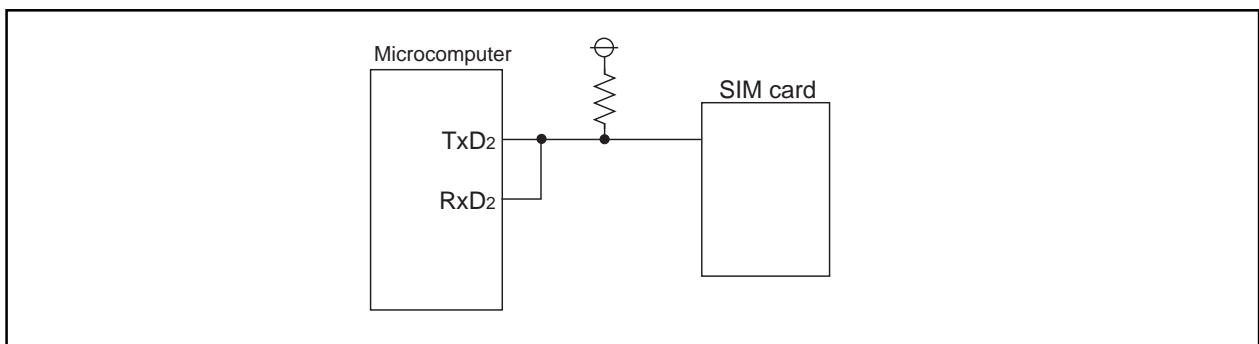


Figure 2.11.30 Connecting the SIM interface

2.11.5 Serial Interface Ports

The I/O ports (P67, P70 to P72) function as I/O ports of UART2 and multi-master I²C-BUS interface 0 (refer to “2.11.6 Multi-master I²C-BUS interface i”) . Set the connection between both serial interfaces and each port by bits 0 and 1 (BSEL0 and BSEL1) of the peripheral mode register (address 027D16) and bit 2 (FIICON) of the I²C0 port selection register (address 02E516).

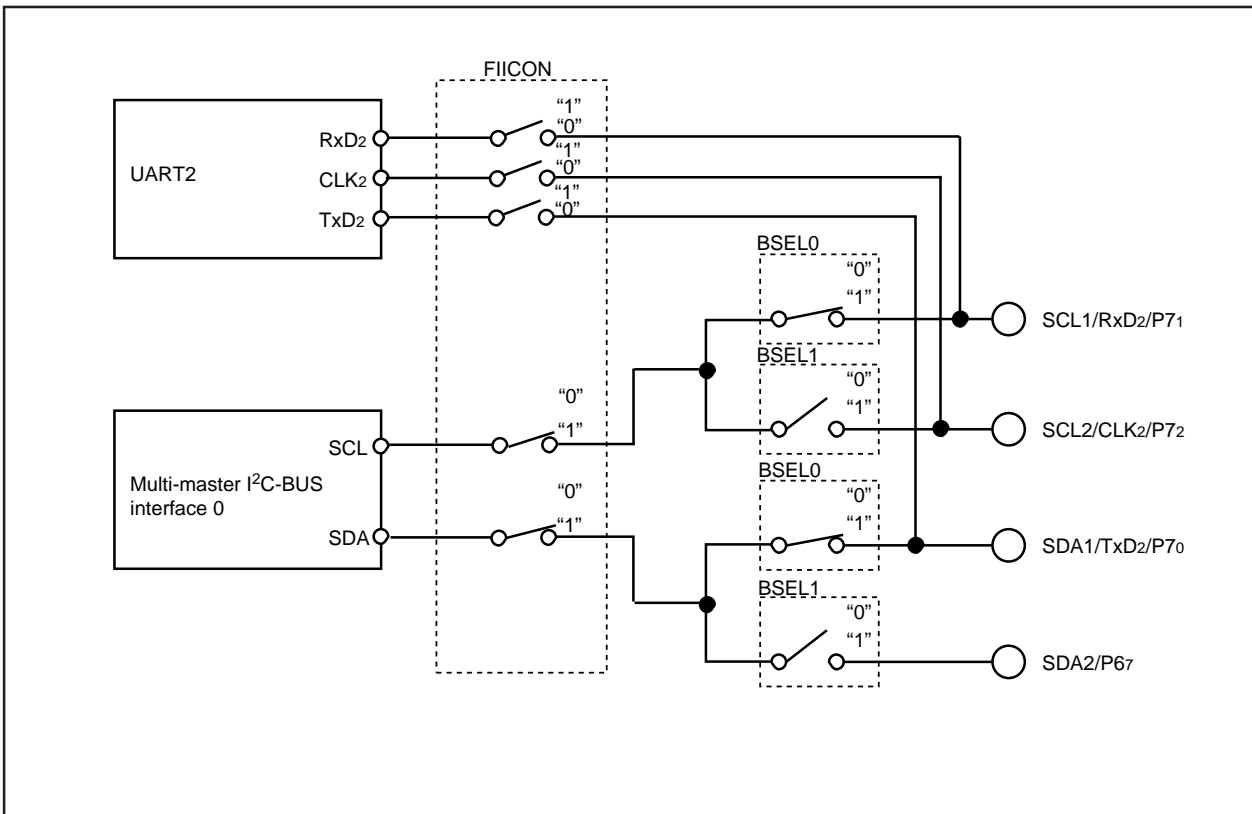


Figure 2.11.31 Serial interface port control

2.11.6 Multi-master I²C-BUS Interface 0 and Multi-master I²C-BUS Interface 1

The multi-master I²C-BUS interface 0 and 1 have each dedicated circuit and operate independently.

The multi-master I²C-BUS interface i is a serial communications circuit, conforming to the Philips I²C-BUS data transfer format. This interface i, offering both arbitration lost detection and a synchronous functions, is useful for the multi-master serial communications.

Figures 2.11.32 and Figure 2.11.33 show a block diagram of the multi-master I²C-BUS interface i and Table 2.11.13 shows multi-master I²C-BUS interface i functions.

This multi-master I²C-BUS interface i consists of the I²Ci address register, the I²Ci data shift register, the I²Ci clock control register, the I²Ci control register, the I²Ci status register, the I²Ci port selection register and other control circuits.

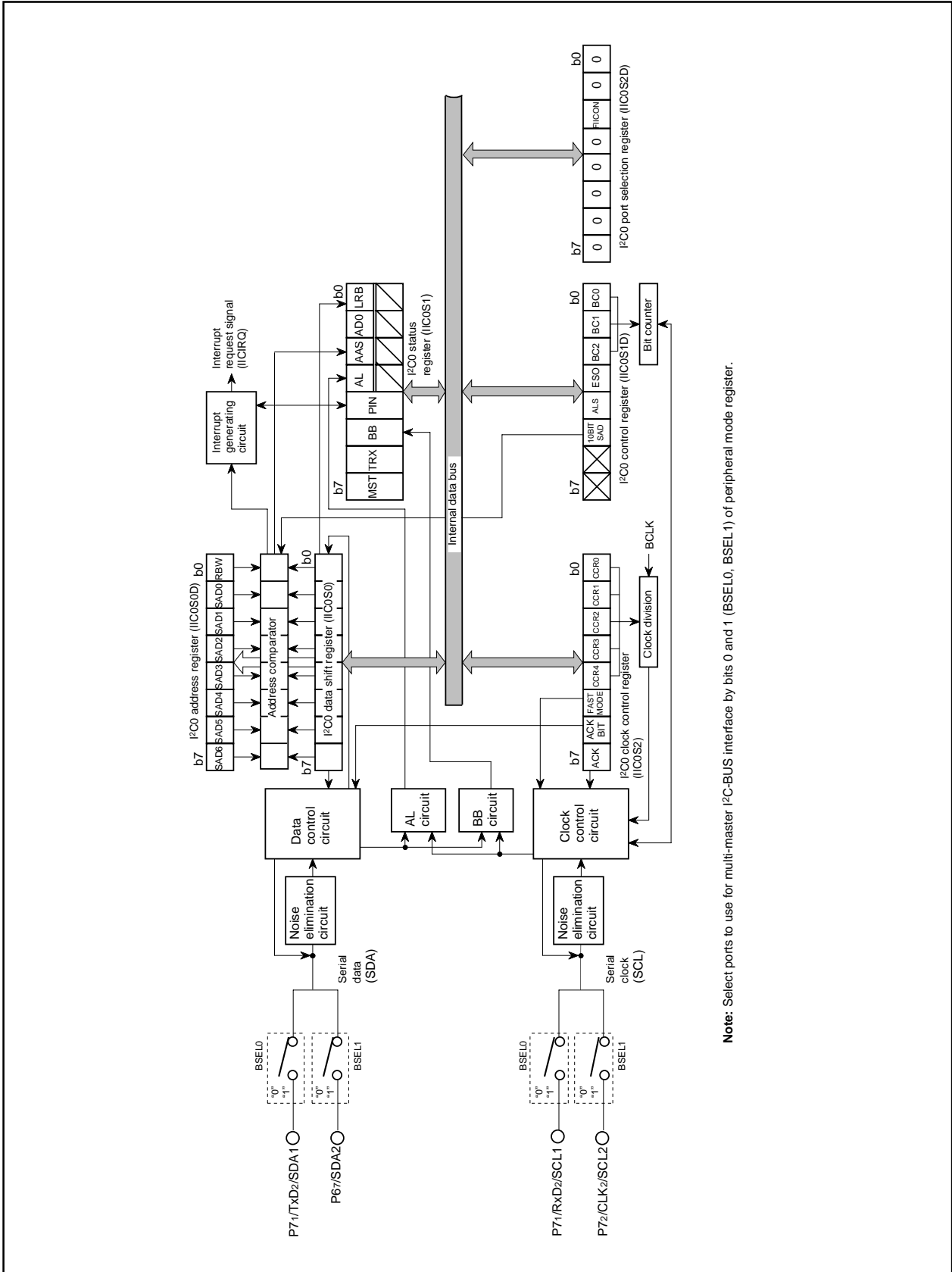
Table 2.11.13 Multi-master I²C-BUS Interface Functions

Item	Function
Format	In conformity with Philips I ² C-BUS standard: 10-bit addressing format 7-bit addressing format High-speed clock mode Standard clock mode
Communication mode	In conformity with Philips I ² C-BUS standard: Master transmission Master reception Slave transmission Slave reception
SCL clock frequencyn	16.1 kHz to 400 kHz (at BCLK = 10 MHz)

Note : We are not responsible for any third party's infringement of patent rights or other rights attributable to the use of the control function (bits 6 and 7 of the I²C control register at address 027D16) for connections between the I²C-BUS interface 0 and ports (SCL1, SCL2, SDA1, SDA2).

M306V5ME-XXXSP
M306V5EESP

SINGLE-CHIP 16-BIT CMOS MICROCOMPUTER with CLOSED CAPTION DECODER
and ON-SCREEN DISPLAY CONTROLLER



Note: Select ports to use for multi-master I²C-BUS interface by bits 0 and 1 (BSEL0, BSEL1) of peripheral mode register.

Fig. 2.11.32 Block Diagram of Multi-master I²C-BUS Interface 0

M306V5ME-XXXSP
M306V5EESP

SINGLE-CHIP 16-BIT CMOS MICROCOMPUTER with CLOSED CAPTION DECODER
and ON-SCREEN DISPLAY CONTROLLER

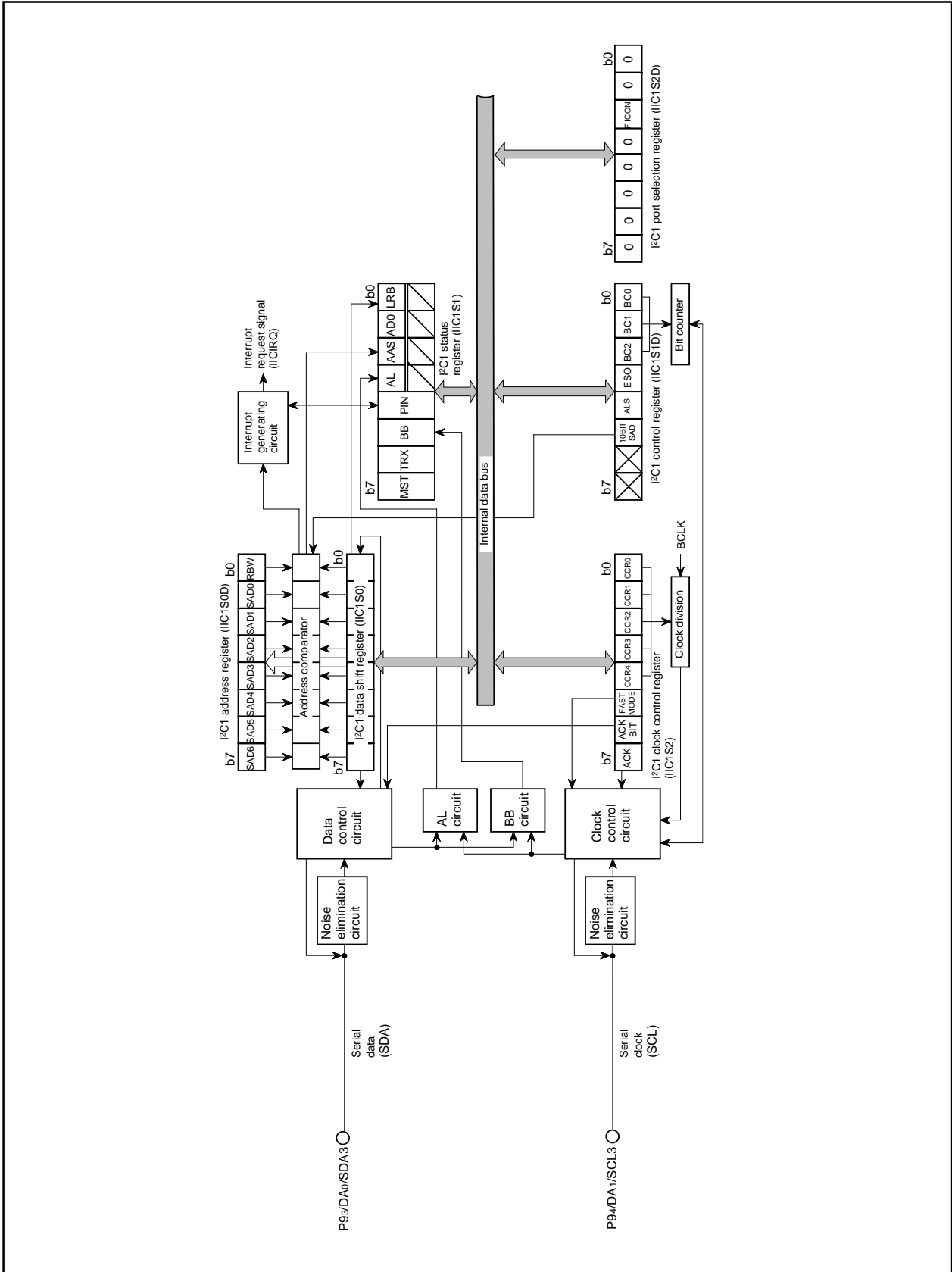


Fig. 2.11.33 Block Diagram of Multi-master I²C-BUS Interface 1

(1) I²C_i port selection register (i = 0, 1)

The I²C_i port selection register consists of bit to validate the multi-master I²C-BUS interface i function.

■ **Bit 2: Multi-master I²C-BUS interface valid bit (FIICON)**

When this bit is “0,” the multi-master I²C-BUS interface i is nonactive; when “1,” it is active. When selecting active, multi-master I²C-BUS interface 0 is connected with the ports selected by bits 0 and 1 of the peripheral mode register (address 027D₁₆) and multi-master I²C-BUS interface 1 is connected with the ports P9₃ and P9₄.

Note: It needs 10-BCLK cycles from setting this bit to “1” to being active of multi-master I²C-BUS interface i. Accordingly, do not access multi-master I²C-BUS interface i-related registers in this period.

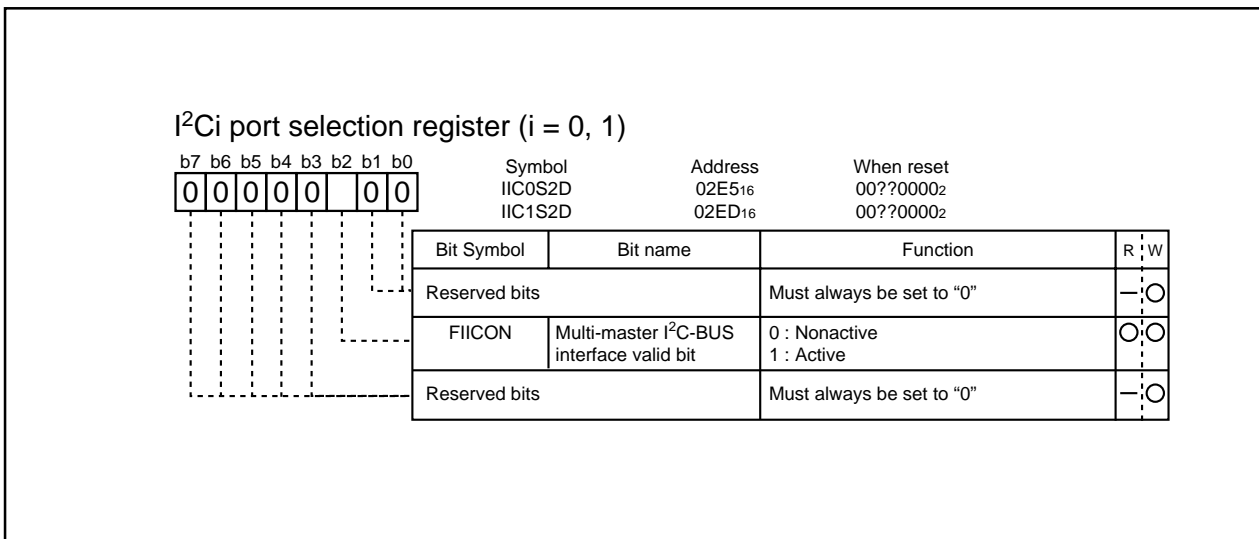


Fig. 2.11.34 I²C_i port selection register (i = 0, 1)

(2) I²Ci data shift register, I²Ci transmit buffer register (i = 0, 1)

The I²Ci data shift register is an 8-bit shift register to store receive data and write transmit data.

When transmit data is written into this register, it is transferred to the outside from bit 7 in synchronization with the SCL clock, and each time one-bit data is output, the data of this register are shifted one bit to the left. When data is received, it is input to this register from bit 0 in synchronization with the SCL clock, and each time one-bit data is input, the data of this register are shifted one bit to the left.

The I²Ci data shift register is in a write enable status only when the ESO bit of the I²Ci control register is "1." The bit counter is reset by a write instruction to the I²Ci data shift register. When both the ESO bit and the MST bit of the I²Ci status register are "1," the SCL is output by a write instruction to the I²Ci data shift register. Reading data from the I²Ci data shift register is always enabled regardless of the ESO bit value.

The I²Ci transmit buffer register is a register to store transmit data (slave address) to the I²Ci data shift register before RESTART condition generation. That is, in master, transmit data written to the I²Ci transmit buffer register is written to the I²Ci data shift register simultaneously. However, the SCL is not output. The I²Ci transmit buffer register can be written only when the ESO bit is "1," reading data from the I²Ci transmit buffer register is disabled regardless of the ESO bit value.

Notes 1: To write data into the I²Ci data shift register or the I²Ci transmit buffer register after the MST bit value changes from "1" to "0" (slave mode), keep an interval of 20 BCLK or more.

2: To generate START/RESTART condition after the I²Ci data shift register or the I²Ci transmit buffer register is written, keep an interval of 2 BCLK or more.

M306V5ME-XXXSP
M306V5EESP

SINGLE-CHIP 16-BIT CMOS MICROCOMPUTER with CLOSED CAPTION DECODER
and ON-SCREEN DISPLAY CONTROLLER

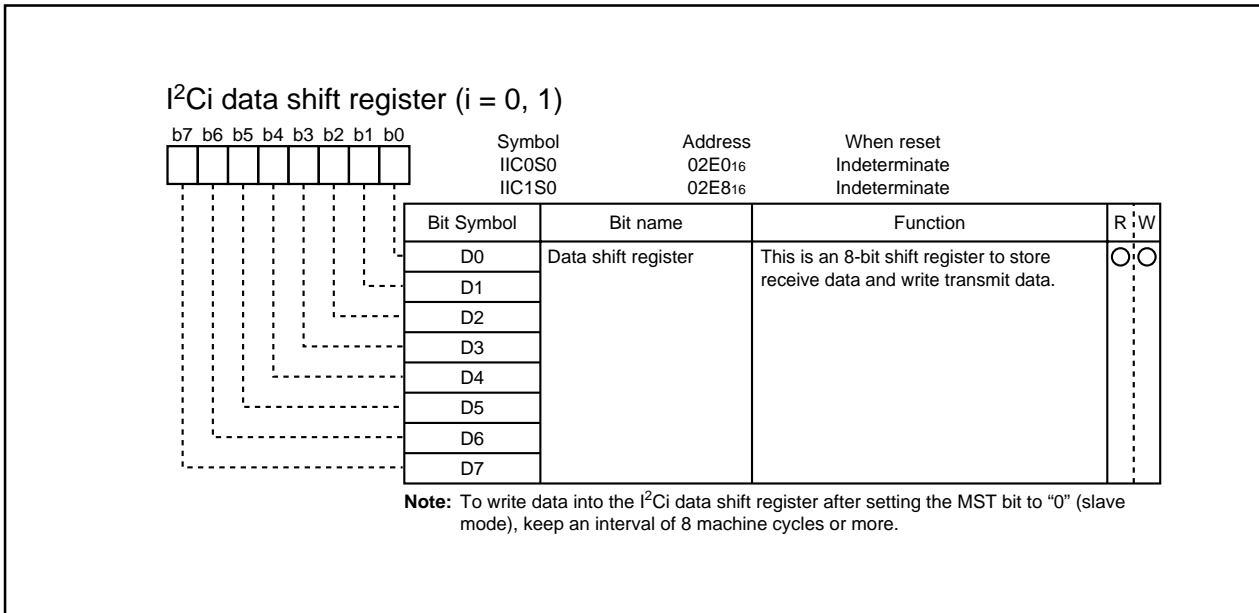


Fig. 2.11.35 I²Ci data shift register (i = 0, 1)

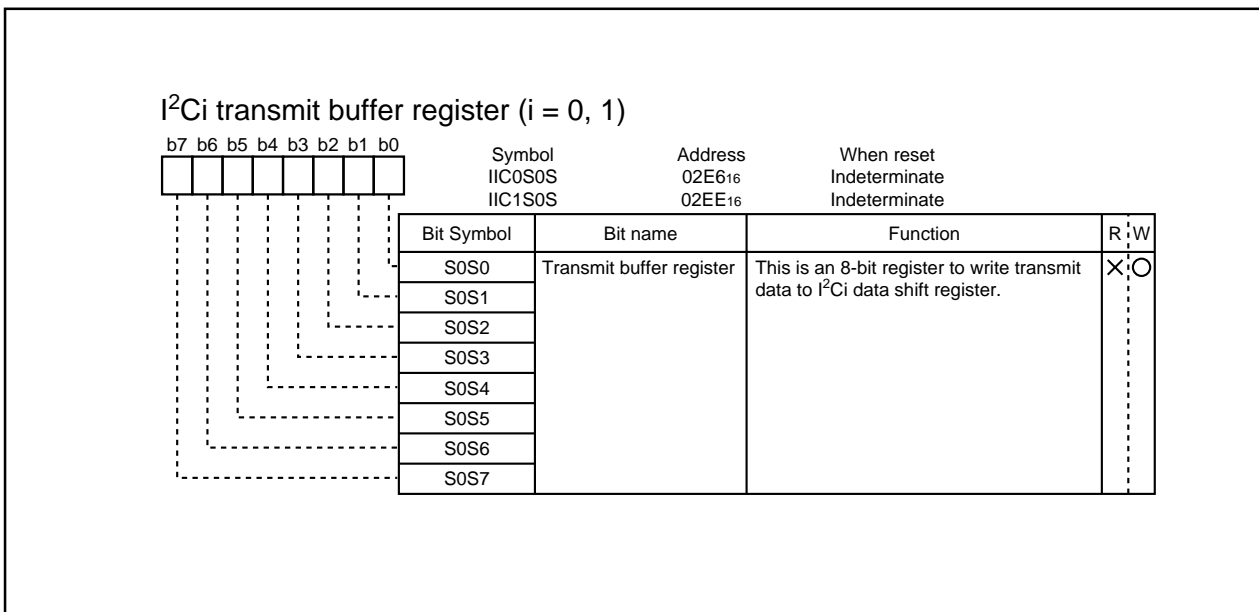


Fig. 2.11.36 I²Ci transmit buffer register (i = 0, 1)

M306V5ME-XXXSP
M306V5EESP

SINGLE-CHIP 16-BIT CMOS MICROCOMPUTER with CLOSED CAPTION DECODER
and ON-SCREEN DISPLAY CONTROLLER

(3) I²Ci address register (i = 0, 1)

The I²Ci address register consists of a 7-bit slave address and a $\overline{\text{read/write}}$ bit. In the addressing mode, the slave address written in this register is compared with the address data to be received immediately after the START condition are detected.

■ **Bit 0: $\overline{\text{read/write}}$ bit (RBW)**

Not used when comparing addresses, in the 7-bit addressing mode. In the 10-bit addressing mode, the first address data to be received is compared with the contents (SAD6 to SAD0 + RBW) of the I²Ci address register.

The RBW bit is cleared to "0" automatically when the stop condition is detected.

■ **Bits 1 to 7: slave address (SAD0–SAD6)**

These bits store slave addresses. Regardless of the 7-bit addressing mode and the 10-bit addressing mode, the address data transmitted from the master is compared with the contents of these bits.

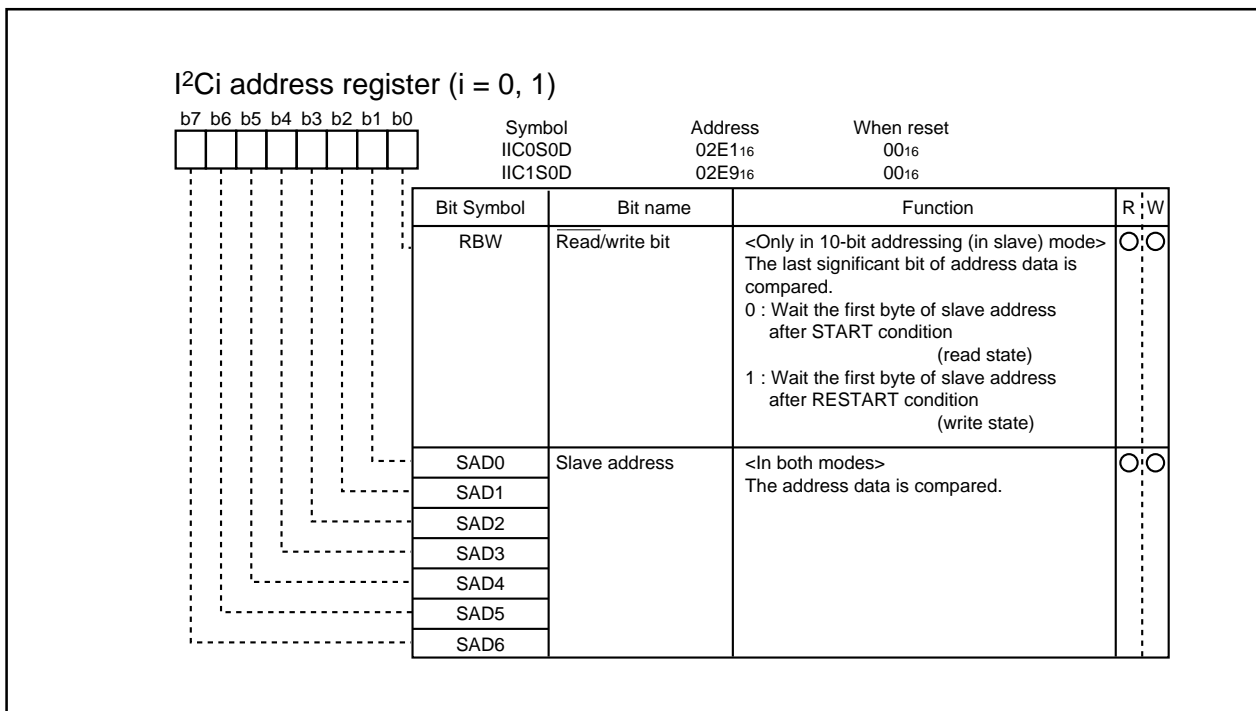


Fig. 2.11.37 I²Ci address register (i = 0, 1)

(4) I²Ci clock control register (i = 0, 1)

The I²Ci clock control register is used to set ACK control, SCL mode and SCL frequency.

■ Bits 0 to 4: SCL frequency control bits (CCR0–CCR4)

These bits control the SCL frequency.

■ Bit 5: SCL mode specification bit (FAST MODE)

This bit specifies the SCL mode. When this bit is set to “0,” the standard clock mode is set. When the bit is set to “1,” the high-speed clock mode is set.

■ Bit 6: ACK bit (ACK BIT)

This bit sets the SDA status when an ACK clock* is generated. When this bit is set to “0,” the ACK return mode is set and SDA goes to LOW at the occurrence of an ACK clock. When the bit is set to “1,” the ACK non-return mode is set. The SDA is held in the HIGH status at the occurrence of an ACK clock.

However, when the slave address matches the address data in the reception of address data at ACK BIT = “0,” the SDA is automatically made LOW (ACK is returned). If there is a mismatch between the slave address and the address data, the SDA is automatically made HIGH (ACK is not returned).

*ACK clock: Clock for acknowledgement

■ Bit 7: ACK clock bit (ACK)

This bit specifies a mode of acknowledgment which is an acknowledgment response of data transmission. When this bit is set to “0,” the no ACK clock mode is set. In this case, no ACK clock occurs after data transmission. When the bit is set to “1,” the ACK clock mode is set and the master generates an ACK clock upon completion of each 1-byte data transmission. The device for transmitting address data and control data releases the SDA at the occurrence of an ACK clock (make SDA HIGH) and receives the ACK bit generated by the data receiving device.

Note: Do not write data into the I²Ci clock control register during transmission. If data is written during transmission, the I²Ci clock generator is reset, so that data cannot be transmitted normally.

M306V5ME-XXXSP
M306V5EESP

SINGLE-CHIP 16-BIT CMOS MICROCOMPUTER with CLOSED CAPTION DECODER
and ON-SCREEN DISPLAY CONTROLLER

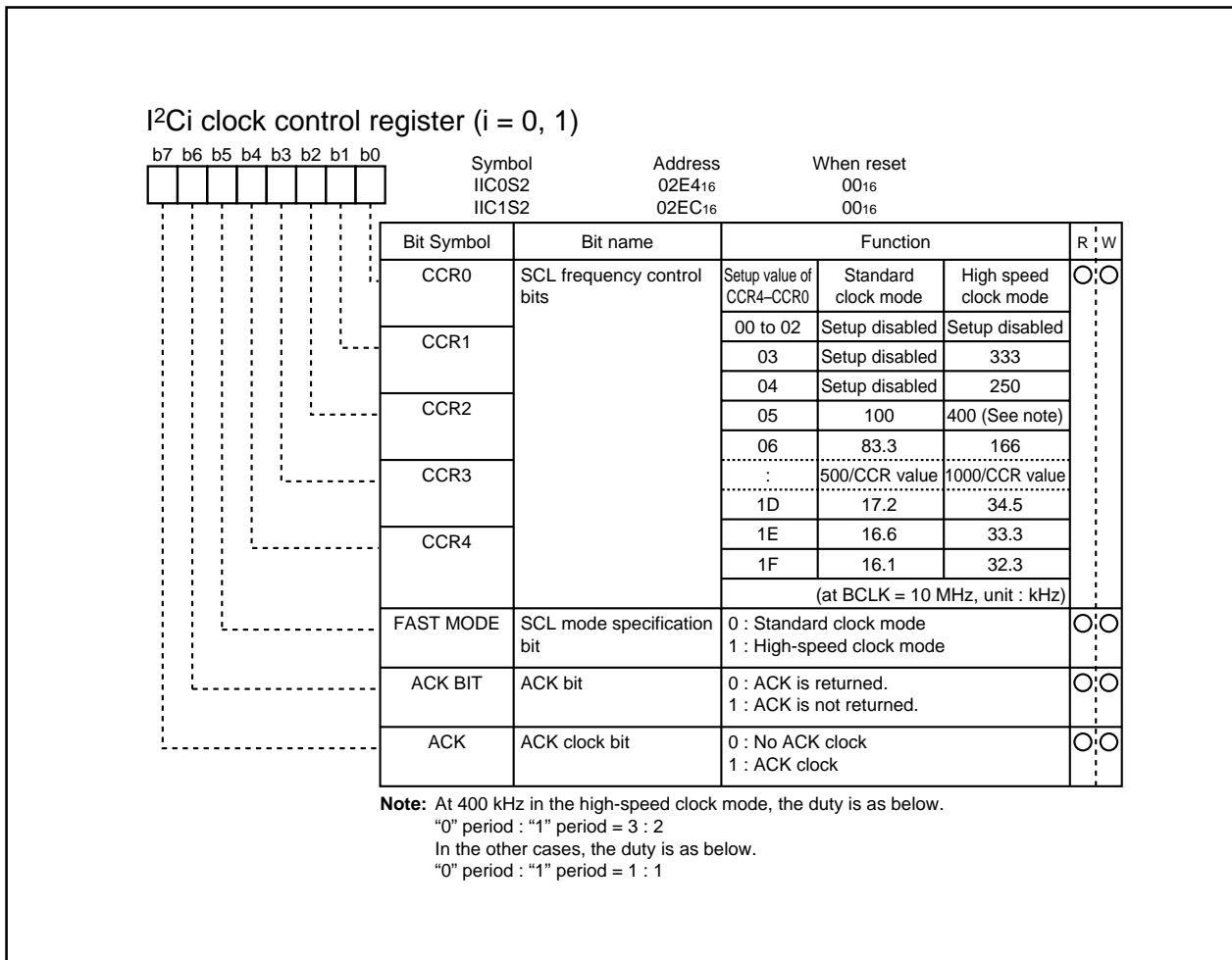


Fig. 2.11.38 I²Ci clock control register (i = 0, 1)

(5) I²C_i control register (i = 0, 1)

The I²C_i control register controls the data communication format.

■ Bits 0 to 2: bit counter (BC0–BC2)

These bits decide the number of bits for the next 1-byte data to be transmitted. An interrupt request signal occurs immediately after the number of bits specified with these bits are transmitted.

When a START condition is received, these bits become “000₂” and the address data is always transmitted and received in 8 bits.

Note: When the bit counter value = “111₂,” a STOP condition and START condition cannot be waited.

■ Bit 3: I²C-BUS interface i use enable bit (ESO)

This bit enables usage of the multimaster I²C-BUS interface i. When this bit is set to “0,” the use disable status is provided, so the SDA and the SCL become high-impedance. When the bit is set to “1,” use of the interface is enabled.

When ESO = “0,” the following is performed.

- PIN = “1,” BB = “0” and AL = “0” are set (they are bits of the I²C_i status register).
- Writing data to the I²C_i data shift register and the I²C_i transmit buffer register is disabled.

■ Bit 4: data format selection bit (ALS)

This bit decides whether or not to recognize slave addresses. When this bit is set to “0,” the addressing format is selected, so that address data is recognized. When a match is found between a slave address and address data as a result of comparison or when a general call (refer to “(6) I²C_i status register,” bit 1) is received, transmission processing can be performed. When this bit is set to “1,” the free data format is selected, so that slave addresses are not recognized.

■ Bit 5: addressing format selection bit (10BIT SAD)

This bit selects a slave address specification format. When this bit is set to “0,” the 7-bit addressing format is selected. In this case, only the high-order 7 bits (slave address) of the I²C_i address register are compared with address data. When this bit is set to “1,” the 10-bit addressing format is selected, all the bits of the I²C_i address register are compared with address data.

M306V5ME-XXXSP
M306V5EESP

SINGLE-CHIP 16-BIT CMOS MICROCOMPUTER with CLOSED CAPTION DECODER
and ON-SCREEN DISPLAY CONTROLLER

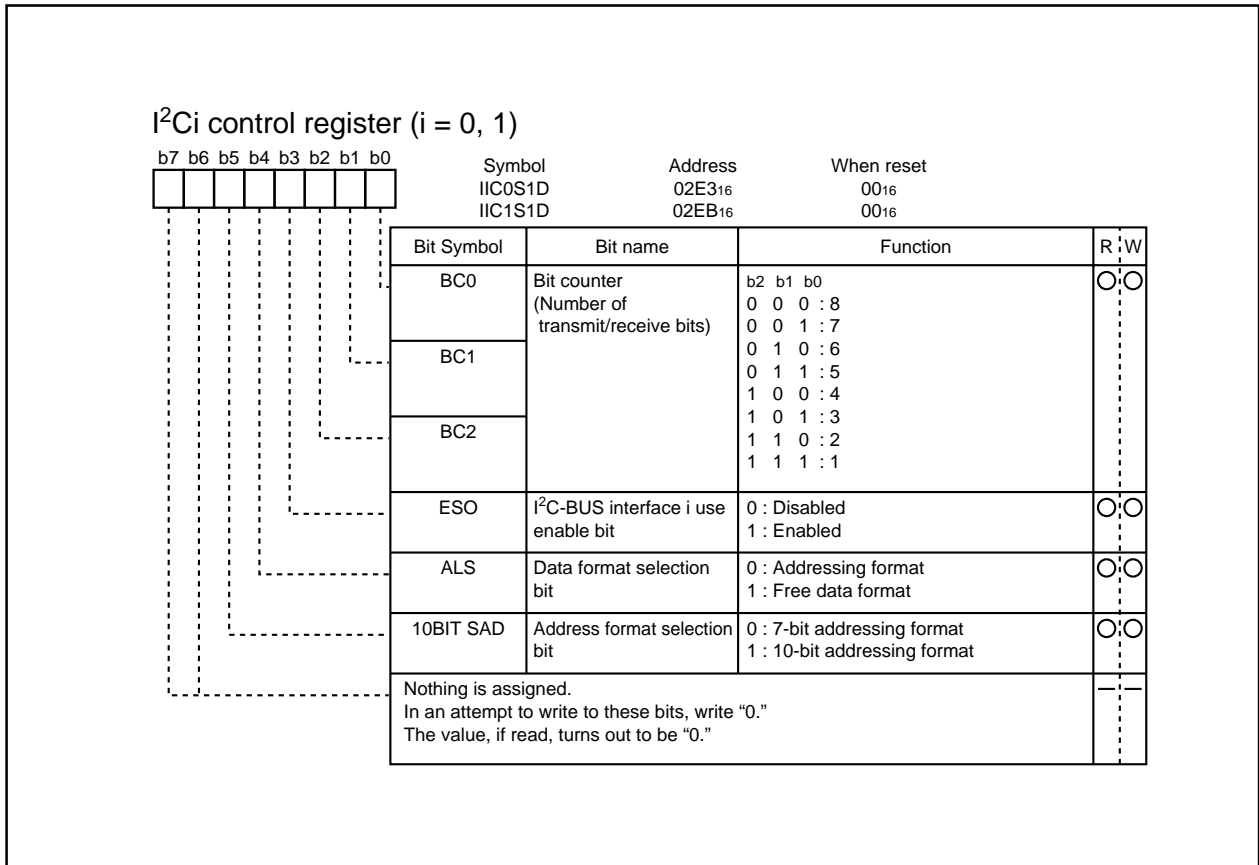


Fig. 2.11.39 I²Ci control register (i = 0, 1)

(6) I²Ci status register (i = 0, 1)

The I²Ci status register controls the I²C-BUS interface i status. Bits 0 to 3, 5 are read-only bits and bits 4, 6, 7 can be read out and written to.

■ Bit 0: last receive bit (LRB)

This bit stores the last bit value of received data and can also be used for ACK receive confirmation. If ACK is returned when an ACK clock occurs, the LRB bit is set to "0." If ACK is not returned, this bit is set to "1." Except in the ACK mode, the last bit value of received data is input. The state of this bit is changed from "1" to "0" by executing a write instruction to the I²Ci data shift register or the I²Ci transmit buffer register.

■ Bit 1: general call detecting flag (AD0)

This bit is set to "1" when a general call* whose address data is all "0" is received in the slave mode. By a general call of the master device, every slave device receives control data after the general call. The AD0 bit is set to "0" by detecting the STOP condition or START condition.

*General call: The master transmits the general call address "00₁₆" to all slaves.

■ Bit 2: slave address comparison flag (AAS)

This flag indicates a comparison result of address data.

<<In the slave receive mode, when the 7-bit addressing format is selected, this bit is set to "1" in one of the following conditions.>>

- The address data immediately after occurrence of a START condition matches the slave address stored in the high-order 7 bits of the I²Ci address register.
- A general call is received.

<<In the slave reception mode, when the 10-bit addressing format is selected, this bit is set to "1" with the following condition.>>

- When the address data is compared with the I²Ci address register (8 bits consists of slave address and RBW), the first bytes match.

<<The state of this bit is changed from "1" to "0" by executing a write instruction to the I²Ci data shift register or the I²Ci transmit buffer register.>>

■ Bit 3: arbitration lost* detecting flag (AL)

In the master transmission mode, when a device other than the microcomputer sets the SDA to "L," arbitration is judged to have been lost, so that this bit is set to "1." At the same time, the TRX bit is set to "0," so that immediately after transmission of the byte whose arbitration was lost is completed, the MST bit is set to "0." When arbitration is lost during slave address transmission, the TRX bit is set to "0" and the reception mode is set. Consequently, it becomes possible to receive and recognize its own slave address transmitted by another master device.

*Arbitration lost: The status in which communication as a master is disabled.

■ Bit 4: I²C-BUS interface i interrupt request bit (PIN)

This bit generates an interrupt request signal. Each time 1-byte data is transmitted, the state of the PIN bit changes from "1" to "0." At the same time, an interrupt request signal is sent to the CPU. The PIN bit is set to "0" in synchronization with a falling edge of the last clock (including the ACK clock) of an internal clock and an interrupt request signal occurs in synchronization with a falling edge of the PIN bit. When detecting the STOP condition in slave, the multi-master I²C-BUS interface interrupt request bit (IR) is set to "1" (interrupt requested) regardless of falling of PIN bit. When the PIN bit is "0," the SCL is kept in the "0" state and clock generation is disabled. Figure 2.11.41 shows an interrupt request signal generating timing chart.

The PIN bit is set to "1" in any one of the following conditions.

- Writing "1" to the PIN bit
- Executing a write instruction to the I²Ci data shift register or the I²Ci transmit buffer register (See note).
- When the ESO bit is "0"
- At reset

Note : It takes 8 BCLK cycles or more until PIN bit becomes "1" after write instructions are executed to these registers.

The conditions in which the PIN bit is set to "0" are shown below:

- Immediately after completion of 1-byte data transmission (including when arbitration lost is detected)
- Immediately after completion of 1-byte data reception
- In the slave reception mode, with ALS = "0" and immediately after completion of slave address or general call address reception
- In the slave reception mode, with ALS = "1" and immediately after completion of address data reception

■ Bit 5: bus busy flag (BB)

This bit indicates the status of use of the bus system. When this bit is set to "0," this bus system is not busy and a START condition can be generated. When this bit is set to "1," this bus system is busy and the occurrence of a START condition is disabled by the START condition duplication prevention function (See note).

This flag can be written by software only in the master transmission mode. In the other modes, this bit is set to "1" by detecting a START condition and set to "0" by detecting a STOP condition. When the ESO bit of the I²Ci control register is "0" and at reset, the BB flag is kept in the "0" state.

■ Bit 6: communication mode specification bit (transfer direction specification bit: TRX)

This bit decides the direction of transfer for data communication. When this bit is "0," the reception mode is selected and the data of a transmitting device is received. When the bit is "1," the transmission mode is selected and address data and control data are output into the SDA in synchronization with the clock generated on the SCL.

When the ALS bit of the I²Ci control register is "0" in the slave reception mode is selected, the TRX bit is set to "1" (transmit) if the least significant bit (R/ \bar{W} bit) of the address data transmitted by the master is "1." When the ALS bit is "0" and the R/ \bar{W} bit is "0," the TRX bit is cleared to "0" (receive).

The TRX bit is cleared to "0" in one of the following conditions.

- When arbitration lost is detected.
- When a STOP condition is detected.
- When occurrence of a START condition is disabled by the START condition duplication prevention function (Note).
- With MST = "0" and when a START condition is detected.
- With MST = "0" and when ACK non-return is detected.
- At reset

M306V5ME-XXXSP
M306V5EESP

SINGLE-CHIP 16-BIT CMOS MICROCOMPUTER with CLOSED CAPTION DECODER
and ON-SCREEN DISPLAY CONTROLLER

■ **Bit 7: Communication mode specification bit (master/slave specification bit: MST)**

This bit is used for master/slave specification for data communication. When this bit is “0,” the slave is specified, so that a START condition and a STOP condition generated by the master are received, and data communication is performed in synchronization with the clock generated by the master. When this bit is “1,” the master is specified and a START condition and a STOP condition are generated, and also the clocks required for data communication are generated on the SCL.

The MST bit is cleared to “0” in one of the following conditions.

- Immediately after completion of 1-byte data transmission when arbitration lost is detected
- When a STOP condition is detected.
- When occurrence of a START condition is disabled by the START condition duplication preventing function (See note).
- At reset

Note: The START condition duplication prevention function disables the following: the START condition generation; bit counter reset, and SCL output with the generation. This bit is valid from setting of BB flag to the completion of 1-byte transmission/reception (occurrence of transmission/reception interrupt request) <IICIRQ>.

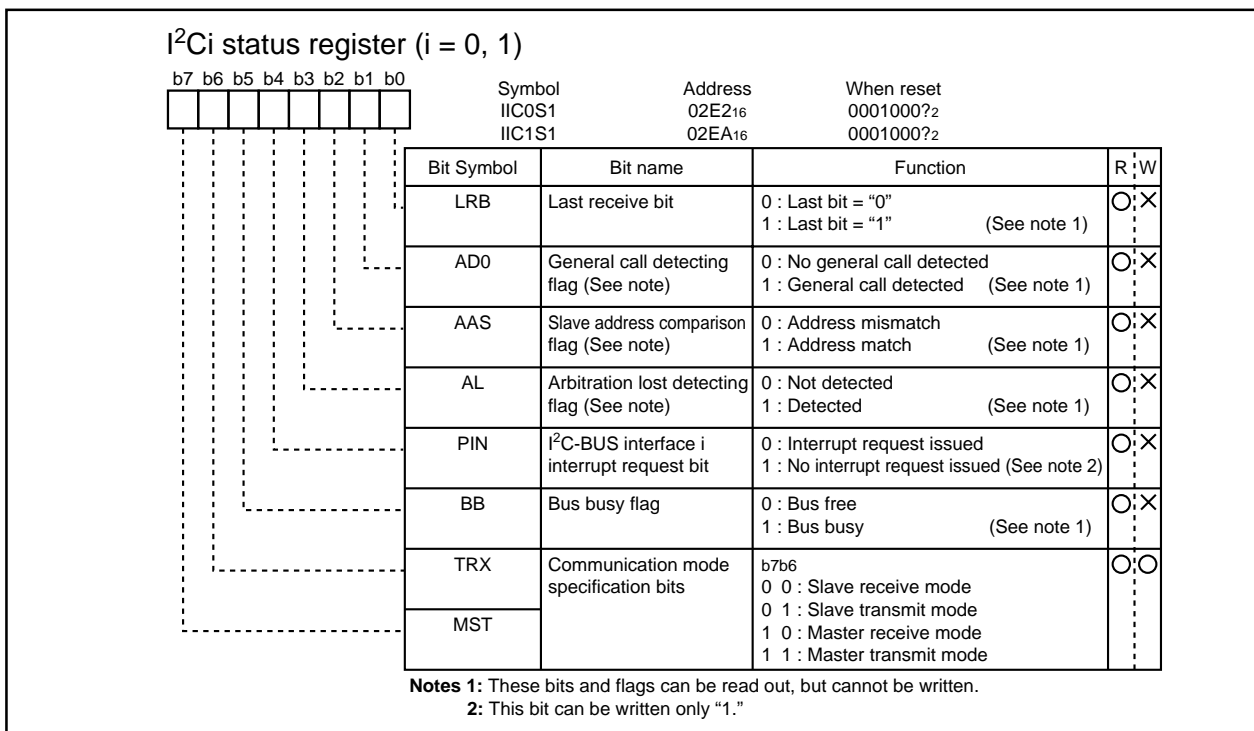


Fig. 2.11.40 I²Ci status register (i = 0, 1)

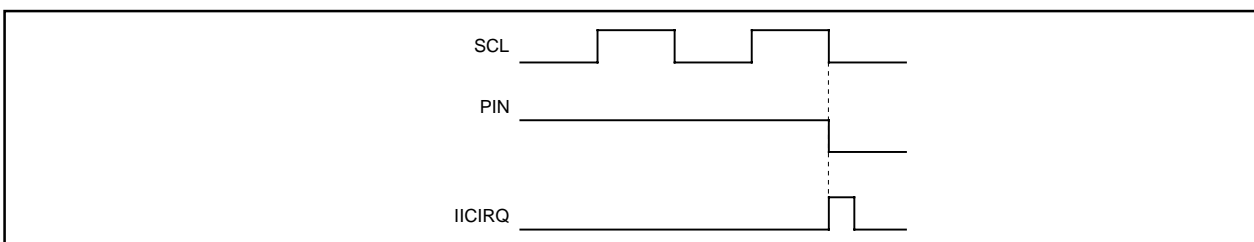


Fig. 2.11.41 Interrupt request signal generation timing

(7) START condition generation method

When the ESO bit of the I²Ci control register is “1,” execute a write instruction to the I²Ci status register to set the MST, TRX and BB bits to “1.” A START condition will then be generated. After that, the bit counter becomes “0002” and an SCL for 1 byte is output. The START condition generation timing and BB bit set timing are different in the standard clock mode and the high-speed clock mode. Refer to Figure 2.11.42 for the START condition generation timing diagram, and Table 2.11.13 for the START condition/STOP condition generation timing table.

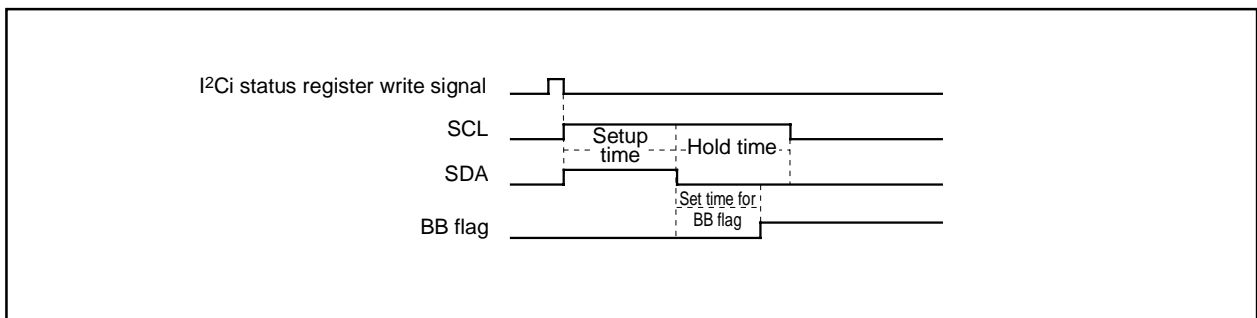


Fig. 2.11.42 START condition generation timing diagram

(8) STOP condition generation method

When the ESO bit of the I²Ci control register is “1,” execute a write instruction to the I²Ci status register for setting the MST bit and the TRX bit to “1” and the BB bit to “0”. A STOP condition will then be generated. The STOP condition generation timing and the BB flag reset timing are different in the standard clock mode and the high-speed clock mode. Refer to Figure 2.11.43 for the STOP condition generation timing diagram, and Table 2.11.13 for the START condition/STOP condition generation timing table.

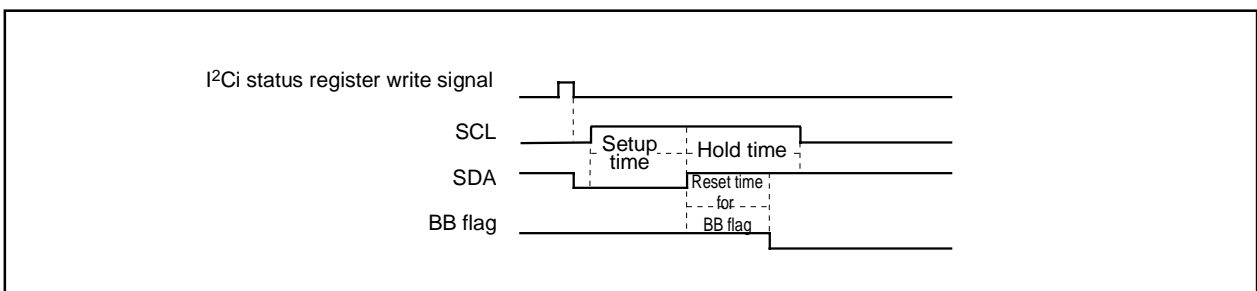


Fig. 2.11.43 STOP condition generation timing diagram

Table 2.11.13 START condition/STOP condition generation timing table

Item	Standard Clock Mode	High-speed Clock Mode
Setup time	5.35 μs (53.5 cycles)	1.85 μs (18.5 cycles)
Hold time	4.9 μs (49 cycles)	2.4 μs (24 cycles)
Set/reset time for BB flag	3.75 μs (37.5 cycles)	0.85 μs (8.5 cycles)

Note: Absolute time at BCLK = 10 MHz. The value in parentheses denotes the number of BCLK cycles.

M306V5ME-XXXSP
M306V5EESP

SINGLE-CHIP 16-BIT CMOS MICROCOMPUTER with CLOSED CAPTION DECODER
and ON-SCREEN DISPLAY CONTROLLER

(9) START/STOP condition detect conditions

The START/STOP condition detect conditions are shown in Figure 2.11.44 and Table 2.11.14. Only when the 3 conditions of Table 2.11.14 are satisfied, a START/STOP condition can be detected.

Note: When a STOP condition is detected in the slave mode (MST = 0), an interrupt request signal <IICIRQ> is generated to the CPU.

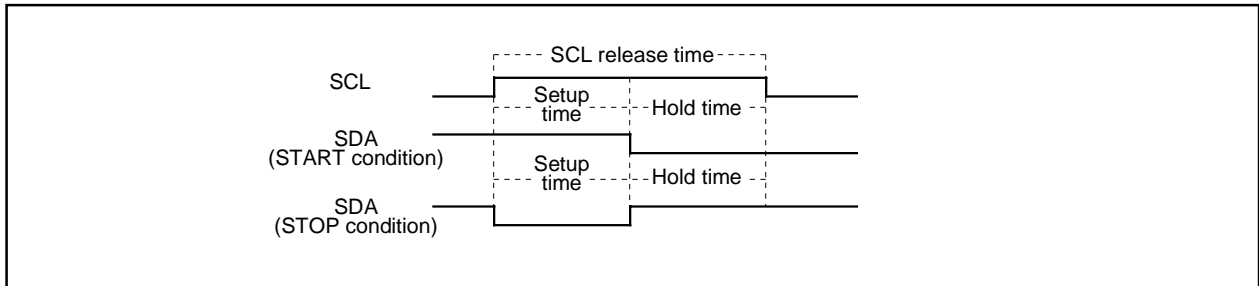


Fig. 2.11.44 START condition/STOP condition detect timing diagram

Table 2.11.14 START condition/STOP condition detect conditions

Standard Clock Mode	High-speed Clock Mode
6.5 μs (65 cycles) < SCL release time	1.0 μs (10 cycles) < SCL release time
3.25 μs (32.5 cycles) < Setup time	0.5 μs (5 cycles) < Setup time
3.25 μs (32.5 cycles) < Hold time	0.5 μs (5 cycles) < Hold time

Note: Absolute time at BCLK = 10 MHz. The value in parentheses denotes the number of BCLK cycles.

(10) Address data communication

There are two address data communication formats, namely, 7-bit addressing format and 10-bit addressing format. The respective address communication formats is described below.

■ 7-bit addressing format

To meet the 7-bit addressing format, set the 10BIT SAD bit of the I²Ci control register to "0." The first 7-bit address data transmitted from the master is compared with the high-order 7-bit slave address stored in the I²Ci address register. At the time of this comparison, address comparison of the RBW bit of the I²Ci address register is not made. For the data transmission format when the 7-bit addressing format is selected, refer to Figure 2.11.45, (1) and (2).

■ 10-bit addressing format

To meet the 10-bit addressing format, set the 10BIT SAD bit of the I²Ci control register to "1." An address comparison is made between the first-byte address data transmitted from the master and the 7-bit slave address stored in the I²Ci address register. At the time of this comparison, an address comparison between the RBW bit of the I²Ci address register and the R \bar{W} bit which is the last bit of the address data transmitted from the master is made. In the 10-bit addressing mode, the R \bar{W} bit which is the last bit of the address data not only specifies the direction of communication for control data but also is processed as an address data bit.

When the first-byte address data matches the slave address, the AAS bit of the I²Ci status register is set to "1." After the second-byte address data is stored into the I²Ci data shift register, make an address comparison between the second-byte data and the slave address by software. When the address data of the 2nd bytes matches the slave address, set the RBW bit of the I²Ci address register to "1" by software. This processing can match the 7-bit slave address and R \bar{W} data, which are received after a RESTART condition is detected, with the value of the I²Ci address register. For the data transmission format when the 10-bit addressing format is selected, refer to Figure 2.11.45, (3) and (4).

(11) Example of Master Transmission

An example of master transmission in the standard clock mode, at the SCL frequency of 100 kHz and in the ACK return mode is shown below.

- ① Set a slave address in the high-order 7 bits of the I²Ci address register and "0" in the RBW bit.
- ② Set the ACK return mode and SCL = 100 kHz by setting "85₁₆" in the I²Ci clock control register.
- ③ Set "10₁₆" in the I²Ci status register and hold the SCL at the HIGH.
- ④ Set a communication enable status by setting "08₁₆" in the I²Ci control register.
- ⑤ Set the address data of the destination of transmission in the high-order 7 bits of the I²Ci data shift register and set "0" in the least significant bit.
- ⑥ Set "F0₁₆" in the I²Ci status register to generate a START condition. At this time, an SCL for 1 byte and an ACK clock automatically occurs.
- ⑦ Set transmit data in the I²Ci data shift register. At this time, an SCL and an ACK clock automatically occurs.
- ⑧ When transmitting control data of more than 1 byte, repeat step ⑦.
- ⑨ Set "D0₁₆" in the I²Ci status register. After this, if ACK is not returned or transmission ends, a STOP condition will be generated.

(12) Example of Slave Reception

An example of slave reception in the high-speed clock mode, at the SCL frequency of 400 kHz, in the ACK non-return mode, using the addressing format, is shown below.

- ① Set a slave address in the high-order 7 bits of the I²Ci address register and "0" in the RBW bit.
- ② Set the no ACK clock mode and SCL = 400 kHz by setting "25₁₆" in the I²Ci clock control register.
- ③ Set "10₁₆" in the I²Ci status register and hold the SCL at the HIGH.
- ④ Set a communication enable status by setting "08₁₆" in the I²Ci control register.
- ⑤ When a START condition is received, an address comparison is made.
- ⑥
 - When all transmitted address are "0" (general call):
AD0 of the I²Ci status register is set to "1" and an interrupt request signal occurs.
 - When the transmitted addresses match the address set in ①:
ASS of the I²Ci status register is set to "1" and an interrupt request signal occurs.
 - In the cases other than the above:
AD0 and AAS of the I²Ci status register are set to "0" and no interrupt request signal occurs.
- ⑦ Set dummy data in the I²Ci data shift register.
- ⑧ When receiving control data of more than 1 byte, repeat step ⑦.
- ⑨ When a STOP condition is detected, the communication ends.

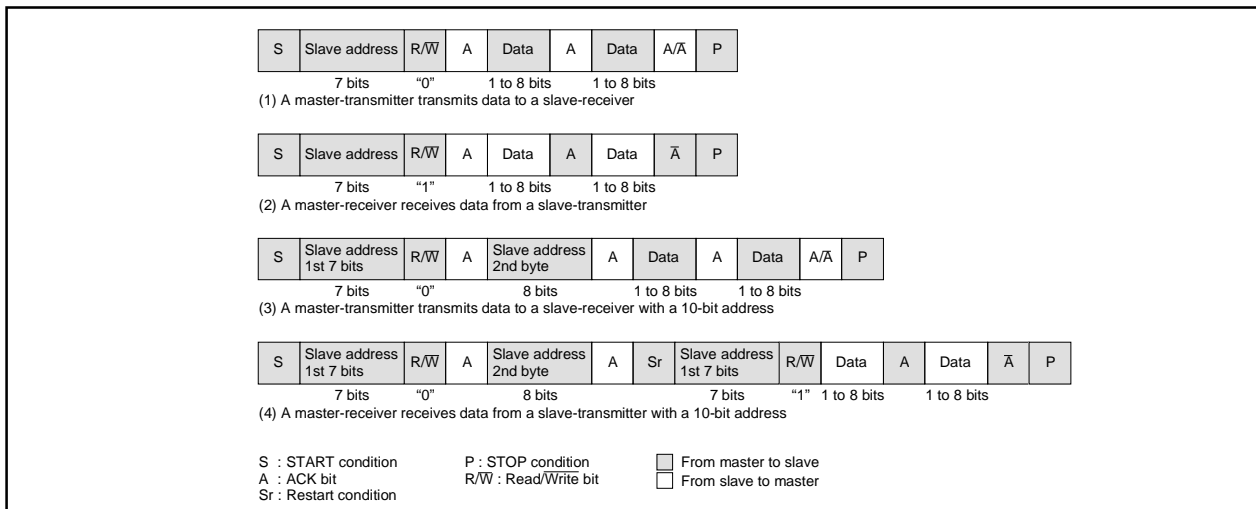


Fig. 2.11.45 Address data communication format

(13) Precautions when using multi-master I²C-BUS interface i

■ BCLK operation mode

Select the no-division mode and set the main clock frequency to $f(XIN) = 10 \text{ MHz}$.

■ Used instructions

Specify byte (.B) as data size to access multi-master I²C-BUS interface i-related registers.

■ Read-modify-write instruction

The precautions when the read-modify-write instruction such as BSET, BCLR etc. is executed for each register of the multi-master I²C-BUS interface are described below.

• I²Ci data shift register (IICiS0)

When executing the read-modify-write instruction for this register during transfer, data may become a value not intended.

• I²Ci address register (IICiS0D)

When the read-modify-write instruction is executed for this register at detecting the STOP condition, data may become a value not intended. It is because hardware changes the read/write bit (RBW) at the above timing.

• I²Ci status register (IICiS1)

Do not execute the read-modify-write instruction for this register because all bits of this register are changed by hardware.

• I²Ci control register (IICiS1D)

When the read-modify-write instruction is executed for this register at detecting the START condition or at completing the byte transfer, data may become a value not intended. Because hardware changes the bit counter (BC0–BC2) at the above timing.

• I²Ci clock control register (IICiS2)

The read-modify-write instruction can be executed for this register.

• I²Ci port selection register (IICiS2D)

Since the read value of high-order 4 bits is indeterminate, the read-modify-write instruction cannot be used.

• I²Ci transmit buffer register (IICiS0S)

Since the value of all bits is indeterminate, the read-modify-write instruction cannot be used.

M306V5ME-XXXSP
M306V5EESP

SINGLE-CHIP 16-BIT CMOS MICROCOMPUTER with CLOSED CAPTION DECODER
and ON-SCREEN DISPLAY CONTROLLER

■ **START condition generating procedure using multi-master**

```

:
FCLR      I                      (Interrupt disabled)
BTST     5, IICiS1              (BB flag confirming and branch process)
JC       BUSBUSY
BUSFREE:
MOV.B    SA, IICiS0             (Writing of slave address value <SA>)
NOP
NOP
MOV.B    #F0H, IICiS1          (Trigger of START condition generating)
FSET     I                      (Interrupt enabled)
:
BUSBUSY:
FSETI    (Interrupt enabled)
:

```

① Be sure to add NOP instruction X 2 between writing the slave address value and setting trigger of START condition generating shown the above procedure example.

② When using multi-master system, disable interrupts during the following three process steps:

- BB flag confirming
- Writing of slave address value
- Trigger of START condition generating

When the condition of the BB flag is bus busy, enable interrupts immediately.

When using single-master system, it is not necessary to disable interrupts above.

■ **RESTART condition generating procedure**

```

:
MOV.B    SA, IICiS0S           (Writing of slave address value <SA>) ——— ①
NOP
NOP
MOV.B    #F0H, IICiS1         (Trigger of RESTART condition generating)
:

```

① Use the I²Ci transmit buffer register to write the slave address value to the I²Ci data shift register. And also, be sure to add NOP instruction X 2.

■ **Writing to I²Ci status register**

Do not execute an instruction to set the PIN bit to “1” from “0” and an instruction to set the MST and TRX bits to “0” from “1” simultaneously. It is because it may enter the state that the SCL pin is released and the SDA pin is released after about one machine cycle. Do not execute an instruction to set the MST and TRX bits to “0” from “1” simultaneously when the PIN bit is “1.” It is because it may become the same as above.

■ **Process of after STOP condition generating**

Do not write data in the I²Ci data shift register (IICiS0) and the I²Ci status register (IICiS1) until the bus busy flag BB becomes “0” after generating the STOP condition in the master mode. It is because the STOP condition waveform might not be normally generated. Reading to the above registers do not have the problem.

M306V5ME-XXXSP
M306V5EESP

SINGLE-CHIP 16-BIT CMOS MICROCOMPUTER with CLOSED CAPTION DECODER
and ON-SCREEN DISPLAY CONTROLLER

2.12 A-D Converter

The A-D converter consists of one 8-bit successive approximation A-D converter circuit with a capacitive coupling amplifier. Pins P36, P37, P40–P43 also function as the analog signal input pins. The direction registers of these pins for A-D conversion must therefore be set to input. The Vref connect bit (bit 5 at address 03D716) can be used to isolate the resistance ladder of the A-D converter from the reference voltage (VREF) when the A-D converter is not used. Doing so stops any current flowing into the resistance ladder from VREF, reducing the power dissipation. When using the A-D converter, start A-D conversion only after setting bit 5 of 03D716 to connect VREF.

The result of A-D conversion is stored in the A-D registers of the selected pins.

Table 2.12.1 shows the performance of the A-D converter. Figure 2.12.1 shows the block diagram of the A-D converter, and Figures 2.12.2 to 2.12.5 show the A-D converter-related registers.

Table 2.12.1 Performance of A-D converter

Item	Performance
Method of A-D conversion	Successive approximation (capacitive coupling amplifier)
Analog input voltage (Note 1)	0V to AVCC (VCC)
Operating clock ϕ_{AD} (Note 2)	$f_{AD}/\text{divide-by-2}$ of $f_{AD}/\text{divide-by-4}$ of f_{AD} , $f_{AD}=f(XIN)$
Resolution	8-bit
Absolute precision	VCC = 5V <ul style="list-style-type: none"> • Without sample and hold function: ± 5 LSB • With sample and hold function: ± 5 LSB
Operating modes	One-shot mode, repeat mode, single sweep mode, repeat sweep mode 0, and repeat sweep mode 1
Analog input pins	6 pins (AN0 to AN5)
A-D conversion start condition	<ul style="list-style-type: none"> • Software trigger A-D conversion starts when the A-D conversion start flag changes to "1"
Conversion speed per pin	<ul style="list-style-type: none"> • Without sample and hold function 49 ϕ_{AD} cycles • With sample and hold function 28 ϕ_{AD} cycles

Notes 1: Does not depend on use of sample and hold function.

2: Divide the frequency if $f(XIN)$ exceeds 10 MHz, and make ϕ_{AD} frequency equal to 10 MHz. Without sample and hold function, set the ϕ_{AD} frequency to 250kHz min.

With the sample and hold function, set the ϕ_{AD} frequency to 1MHz min.

M306V5ME-XXXSP
M306V5EESP

SINGLE-CHIP 16-BIT CMOS MICROCOMPUTER with CLOSED CAPTION DECODER
and ON-SCREEN DISPLAY CONTROLLER

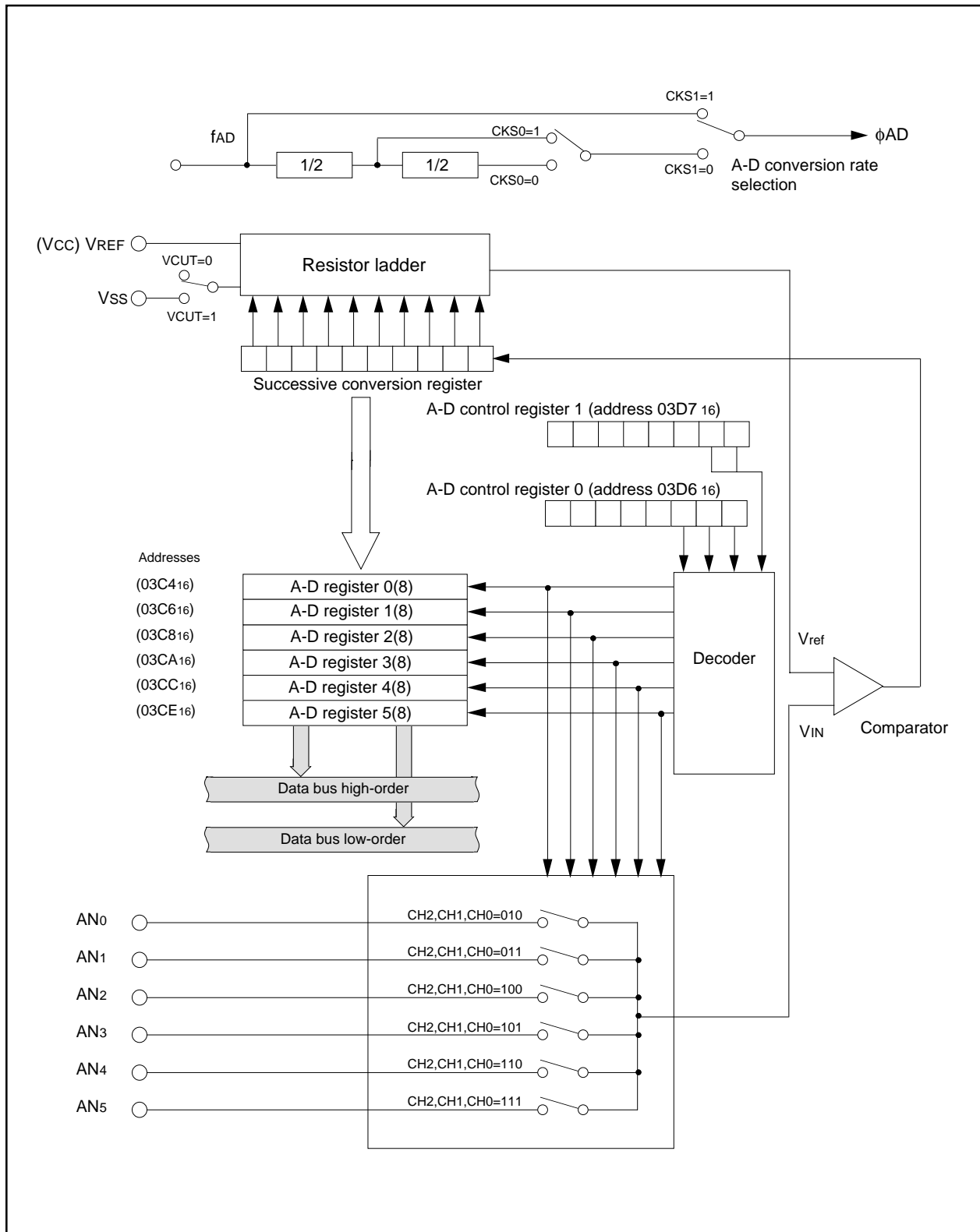


Figure 2.12.1 Block diagram of A-D converter

M306V5ME-XXXSP
M306V5EESP

SINGLE-CHIP 16-BIT CMOS MICROCOMPUTER with CLOSED CAPTION DECODER
and ON-SCREEN DISPLAY CONTROLLER

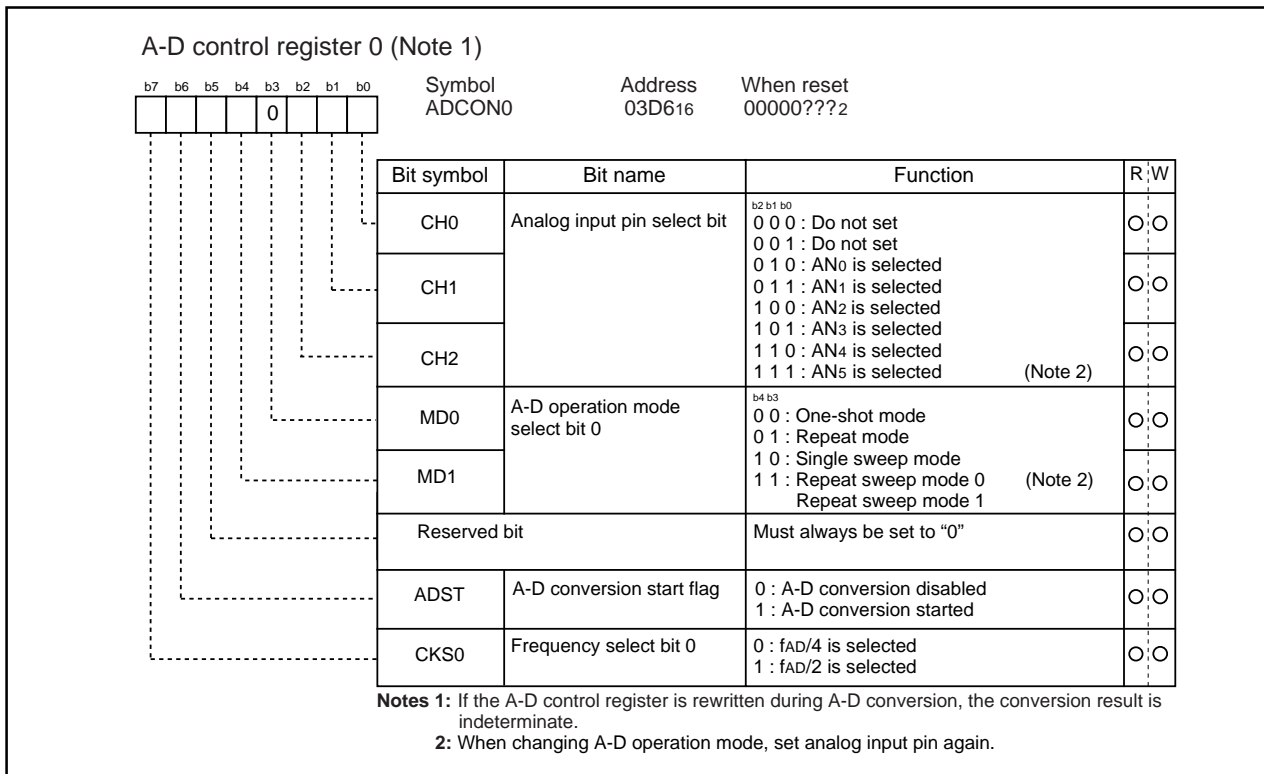


Figure 2.12.2 A-D control register 0

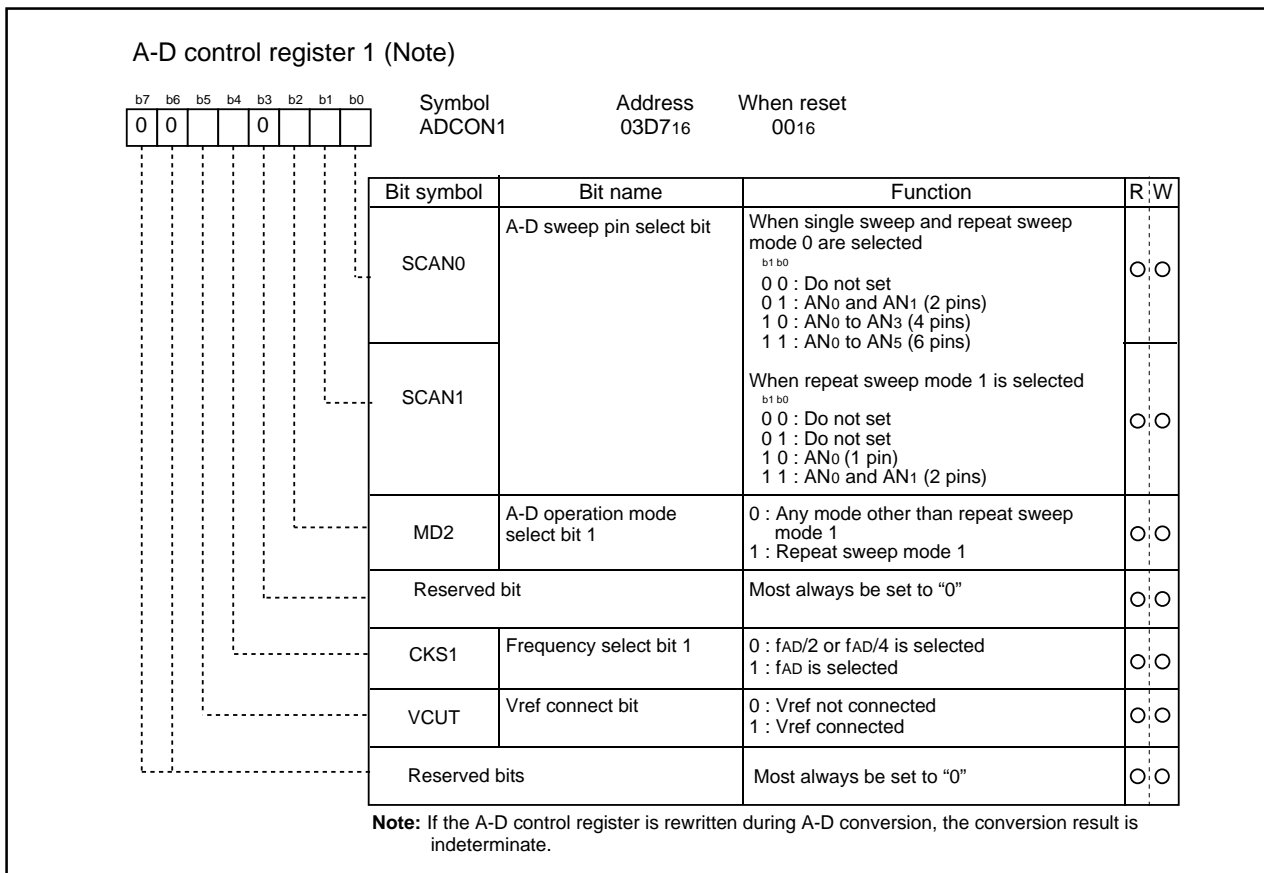


Figure 2.12.3 A-D control register 1

M306V5ME-XXXSP
M306V5EESP

SINGLE-CHIP 16-BIT CMOS MICROCOMPUTER with CLOSED CAPTION DECODER
and ON-SCREEN DISPLAY CONTROLLER

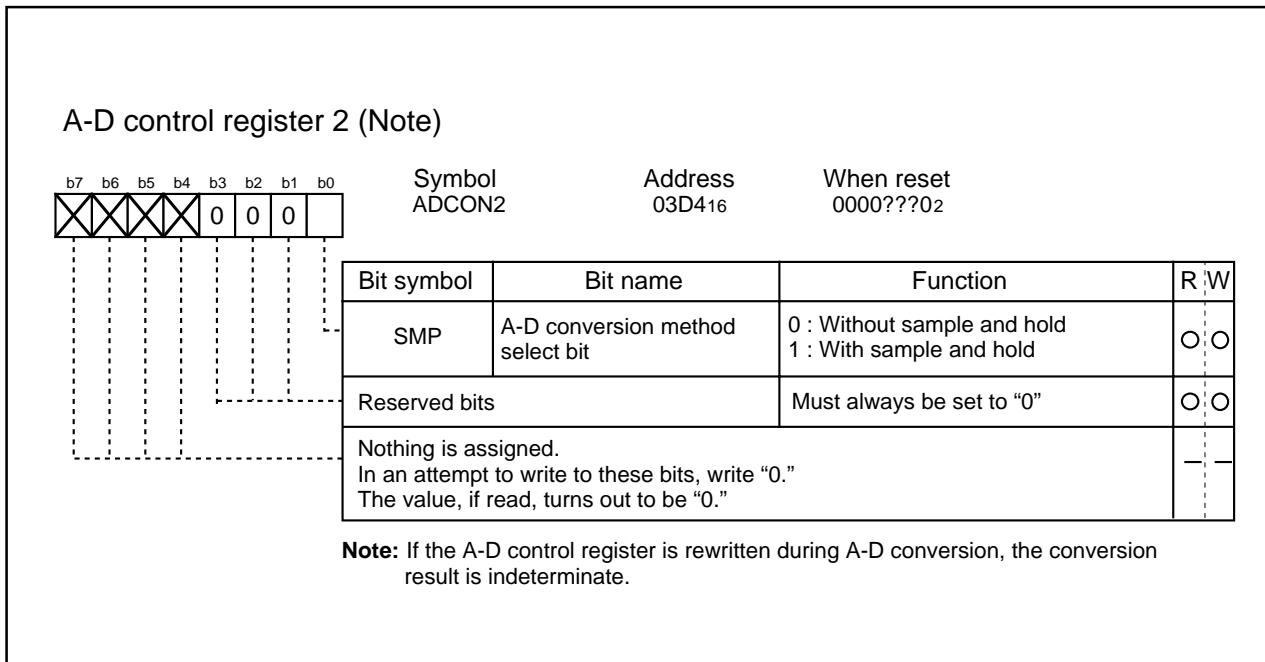


Figure 2.12.4 A-D control register 2

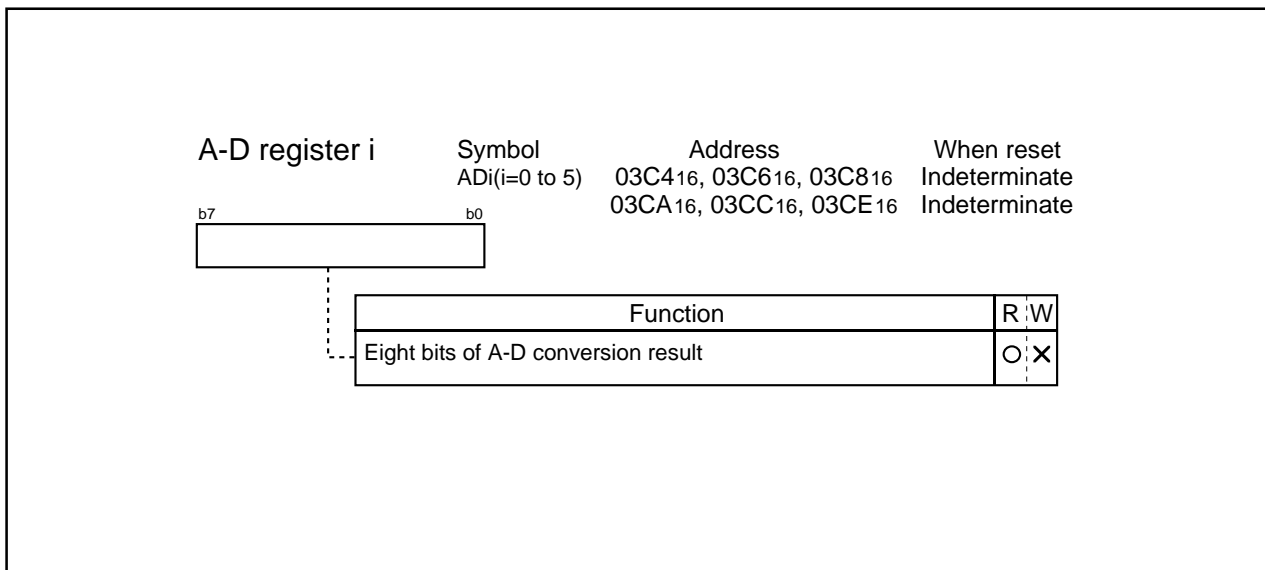


Figure 2.12.5 A-D register i (i = 0 to 5)

2.12.1 One-shot Mode

In one-shot mode, the pin selected using the analog input pin select bit is used for one-shot A-D conversion. Table 2.12.2 shows the specifications of one-shot mode. Figures 2.12.6 and 2.12.7 show the A-D control register in one-shot mode.

Table 2.12.2 One-shot mode specifications

Item	Specification
Function	The pin selected by the analog input pin select bit is used for one A-D conversion
Start condition	Writing "1" to A-D conversion start flag
Stop condition	<ul style="list-style-type: none"> • End of A-D conversion • Writing "0" to A-D conversion start flag
Interrupt request generation timing	End of A-D conversion
Input pin	One of AN0 to AN5, as selected
Reading of result of A-D converter	Read A-D register corresponding to selected pin

M306V5ME-XXXSP
M306V5EESP

SINGLE-CHIP 16-BIT CMOS MICROCOMPUTER with CLOSED CAPTION DECODER
and ON-SCREEN DISPLAY CONTROLLER

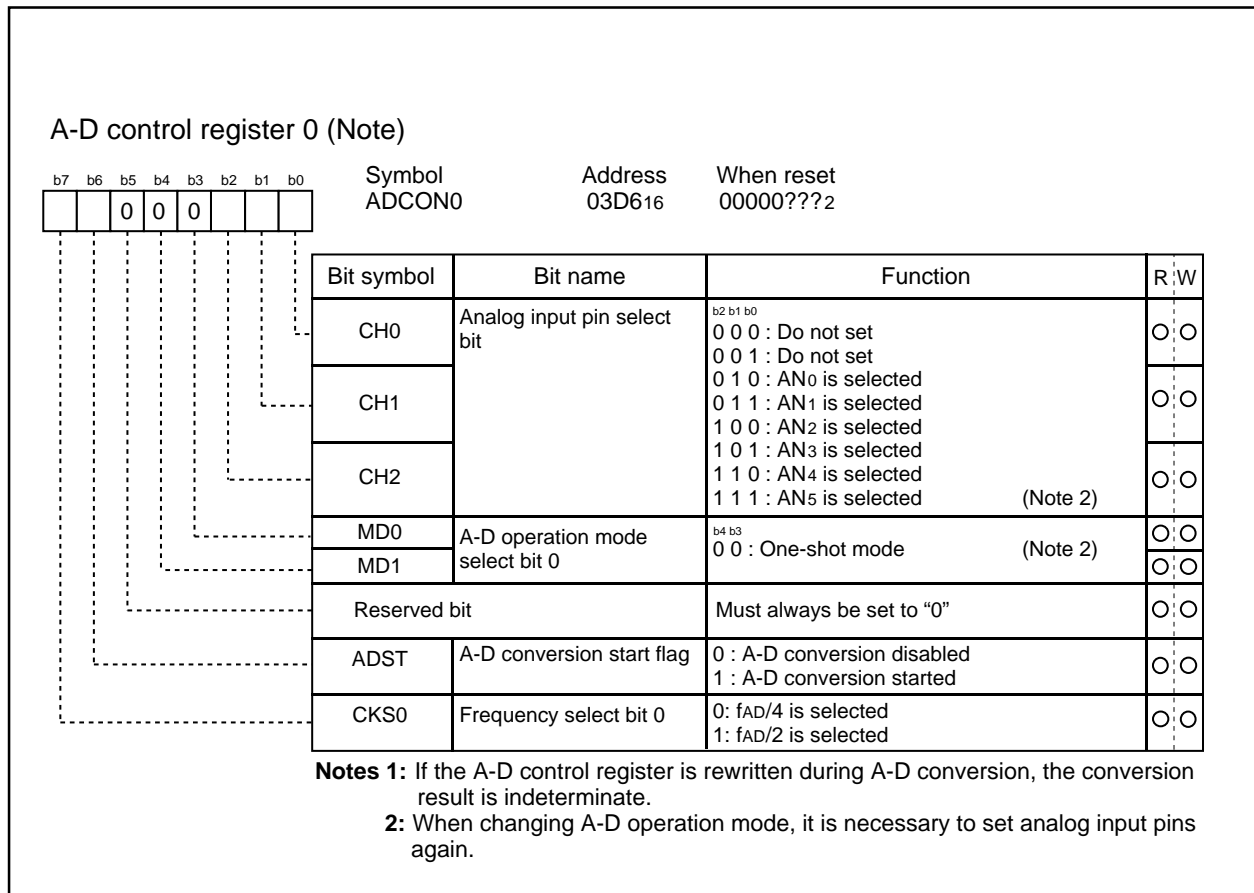


Figure 2.12.6 A-D control register 0 in one-shot mode

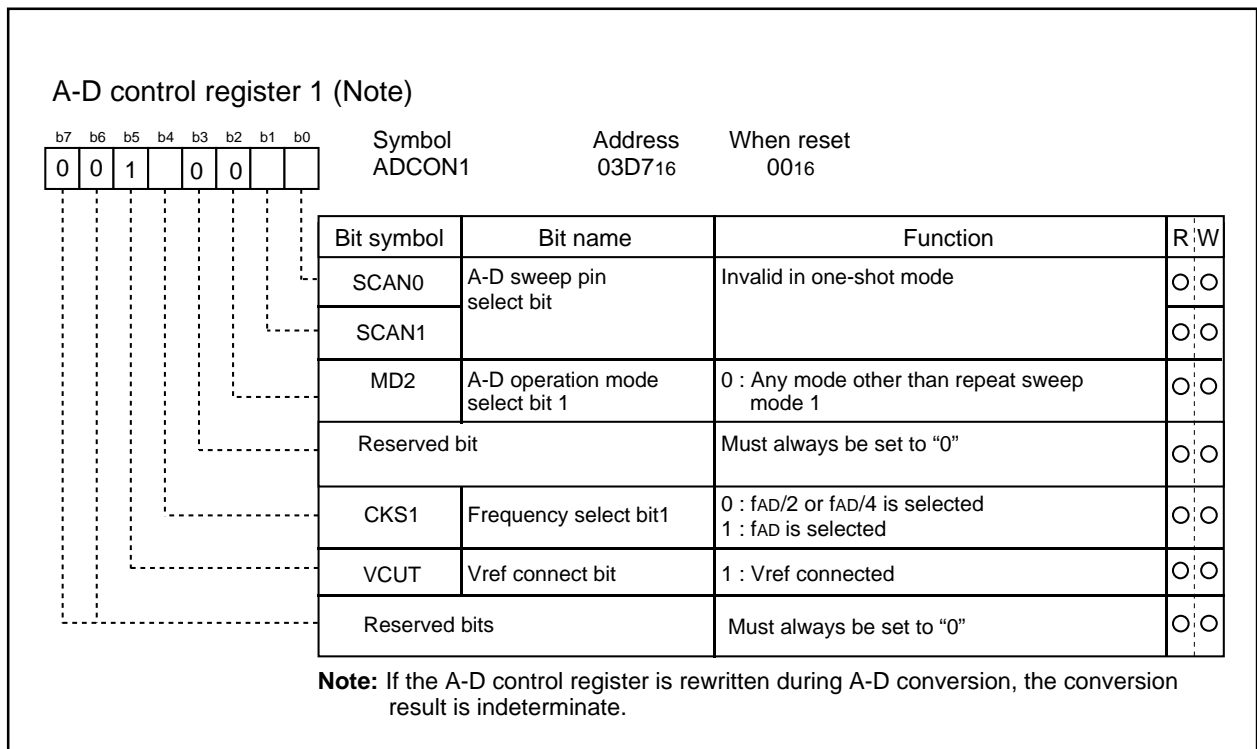


Figure 2.12.7 A-D control register 1 in one-shot mode

2.12.2 Repeat Mode

In repeat mode, the pin selected using the analog input pin select bit is used for repeated A-D conversion. Table 2.12.3 shows the specifications of repeat mode. Figures 2.12.8 and 2.12.9 show the A-D control register in repeat mode.

Table 2.12.3 Repeat mode specifications

Item	Specification
Function	The pin selected by the analog input pin select bit is used for repeated A-D conversion
Star condition	Writing "1" to A-D conversion start flag
Stop condition	Writing "0" to A-D conversion start flag
Interrupt request generation timing	None generated
Input pin	One of AN0 to AN5, as selected
Reading of result of A-D converter	Read A-D register corresponding to selected pin

M306V5ME-XXXSP
M306V5EESP

SINGLE-CHIP 16-BIT CMOS MICROCOMPUTER with CLOSED CAPTION DECODER
and ON-SCREEN DISPLAY CONTROLLER

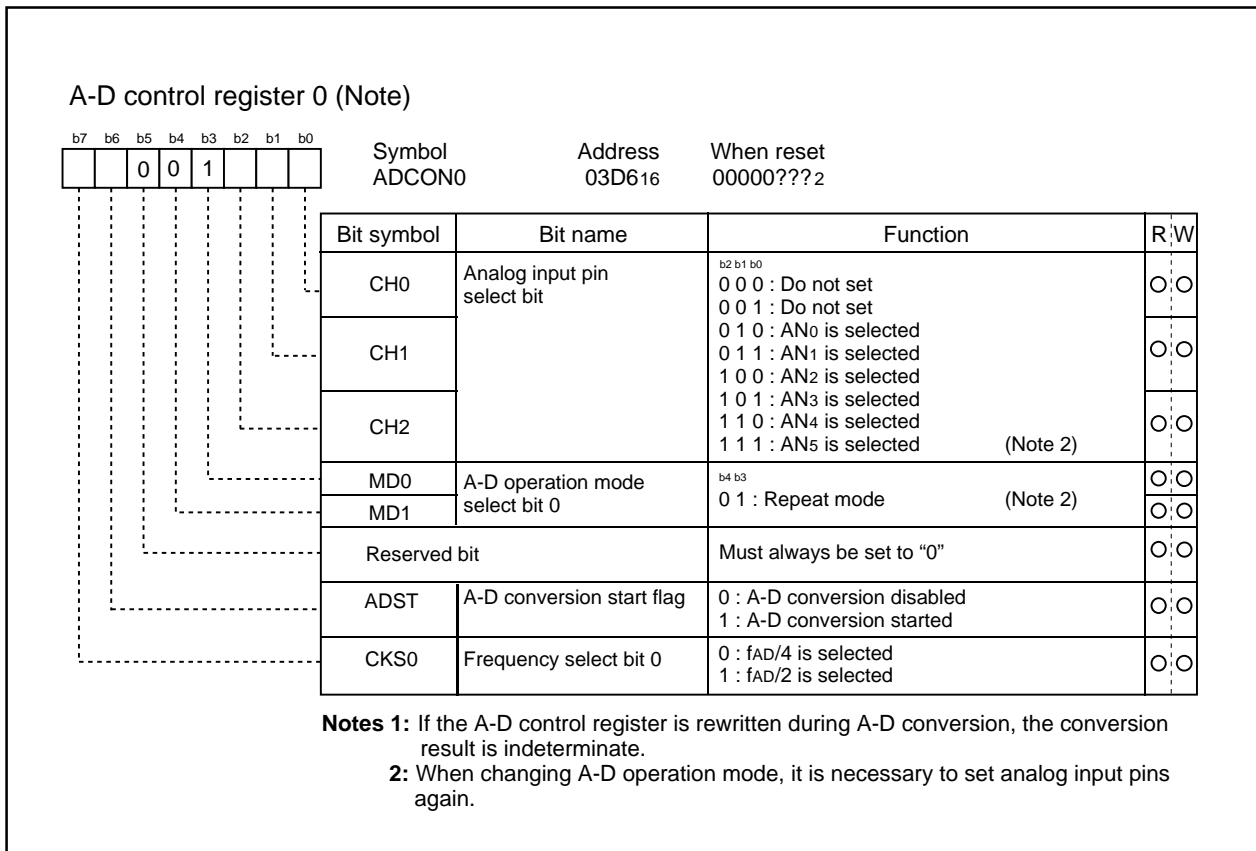


Figure 2.12.8 A-D conversion register 0 in repeat mode

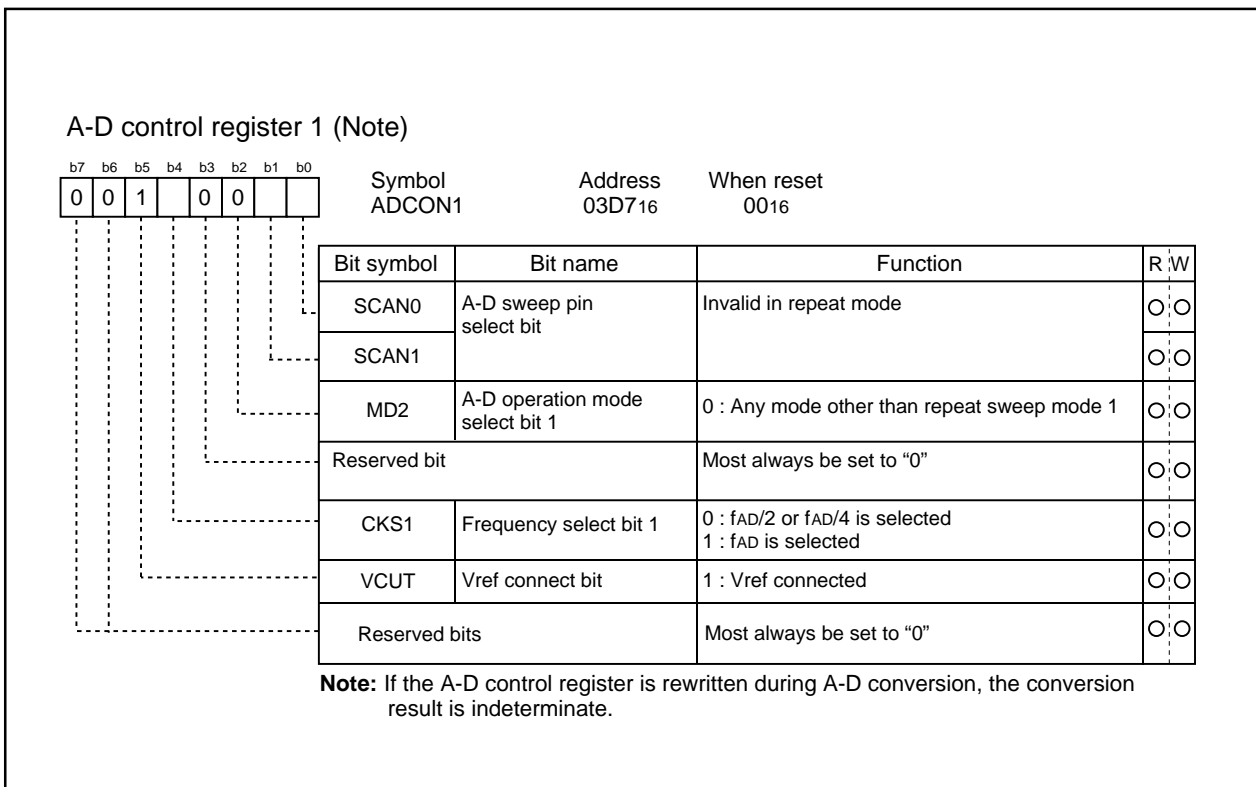


Figure 2.12.9 A-D conversion register 1 in repeat mode

2.12.3 Single Sweep Mode

In single sweep mode, the pins selected using the A-D sweep pin select bit are used for one-by-one A-D conversion. Table 2.12.4 shows the specifications of single sweep mode. Figures 2.12.10 and 2.12.11 show the A-D control register in single sweep mode.

Table 2.12.4 Single sweep mode specifications

Item	Specification
Function	The pins selected by the A-D sweep pin select bit are used for one-by-one A-D conversion
Start condition	Writing "1" to A-D converter start flag
Stop condition	<ul style="list-style-type: none"> • End of A-D conversion • Writing "0" to A-D conversion start flag
Interrupt request generation timing	End of A-D conversion
Input pin	AN ₀ and AN ₁ (2 pins), AN ₀ to AN ₃ (4 pins), AN ₀ to AN ₅ (6 pins)
Reading of result of A-D converter	Read A-D register corresponding to selected pin

M306V5ME-XXXSP
M306V5EESP

SINGLE-CHIP 16-BIT CMOS MICROCOMPUTER with CLOSED CAPTION DECODER
and ON-SCREEN DISPLAY CONTROLLER

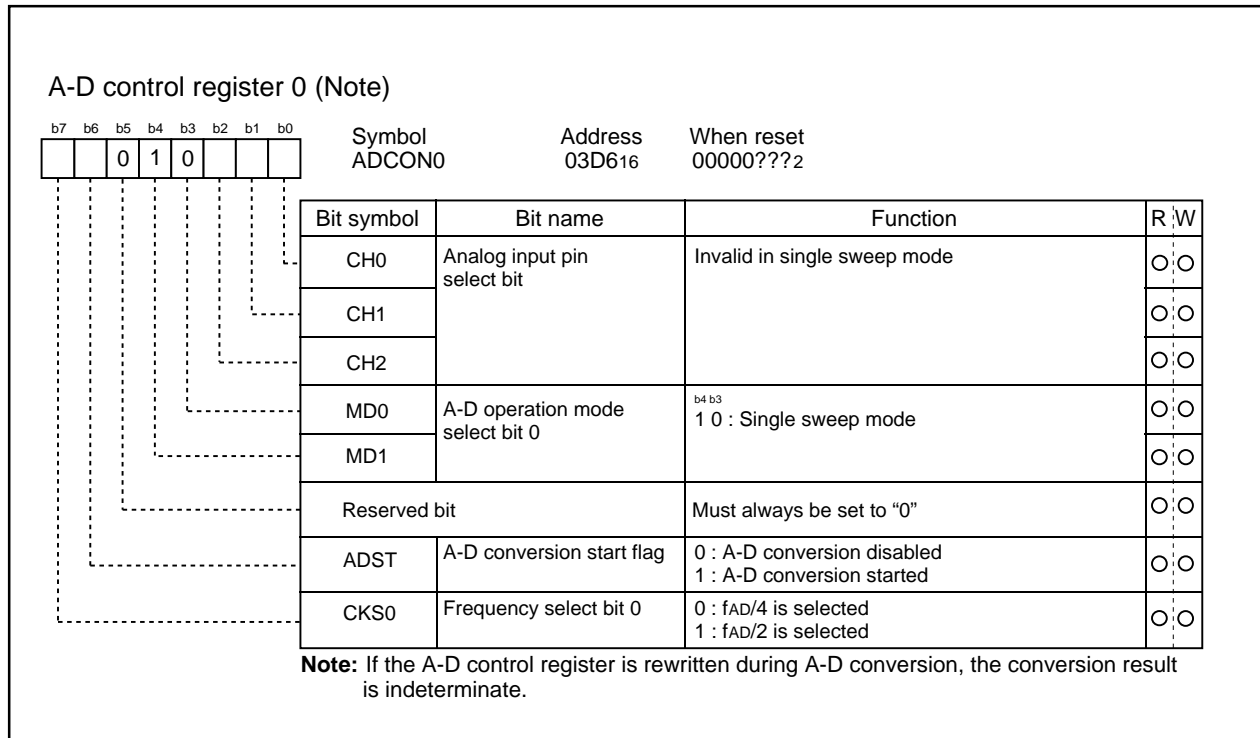


Figure 2.12.10 A-D control register 0 in single sweep mode

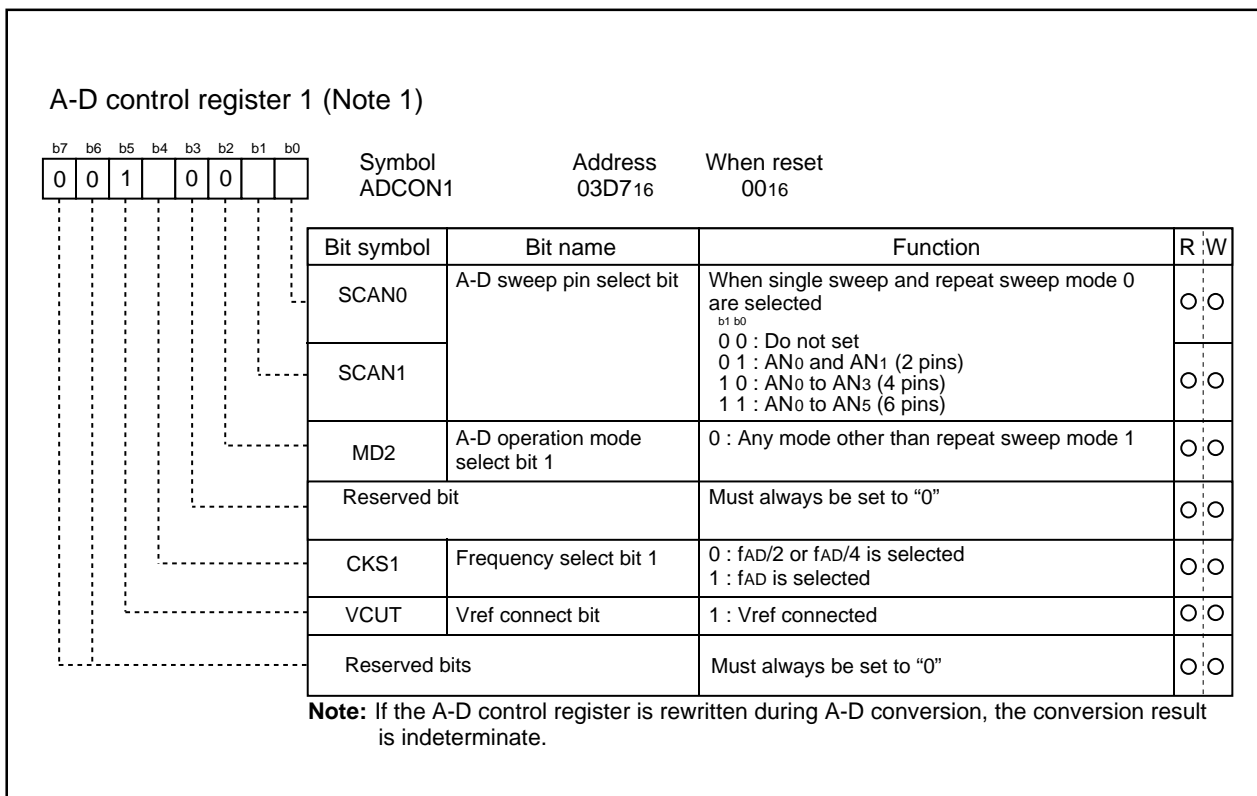


Figure 2.12.11 A-D control register 1 in single sweep mode

2.12.4 Repeat Sweep Mode 0

In repeat sweep mode 0, the pins selected using the A-D sweep pin select bit are used for repeat sweep A-D conversion. Table 2.12.5 shows the specifications of repeat sweep mode 0. Figures 2.12.12 and 2.12.13 show the A-D control register in repeat sweep mode 0.

Table 2.12.5 Repeat sweep mode 0 specifications

Item	Specification
Function	The pins selected by the A-D sweep pin select bit are used for repeat sweep A-D conversion
Start condition	Writing "1" to A-D conversion start flag
Stop condition	Writing "0" to A-D conversion start flag
Interrupt request generation timing	None generated
Input pin	AN ₀ and AN ₁ (2 pins), AN ₀ to AN ₃ (4 pins), AN ₀ to AN ₅ (6 pins)
Reading of result of A-D converter	Read A-D register corresponding to selected pin (at any time)

M306V5ME-XXXSP
M306V5EESP

SINGLE-CHIP 16-BIT CMOS MICROCOMPUTER with CLOSED CAPTION DECODER
and ON-SCREEN DISPLAY CONTROLLER

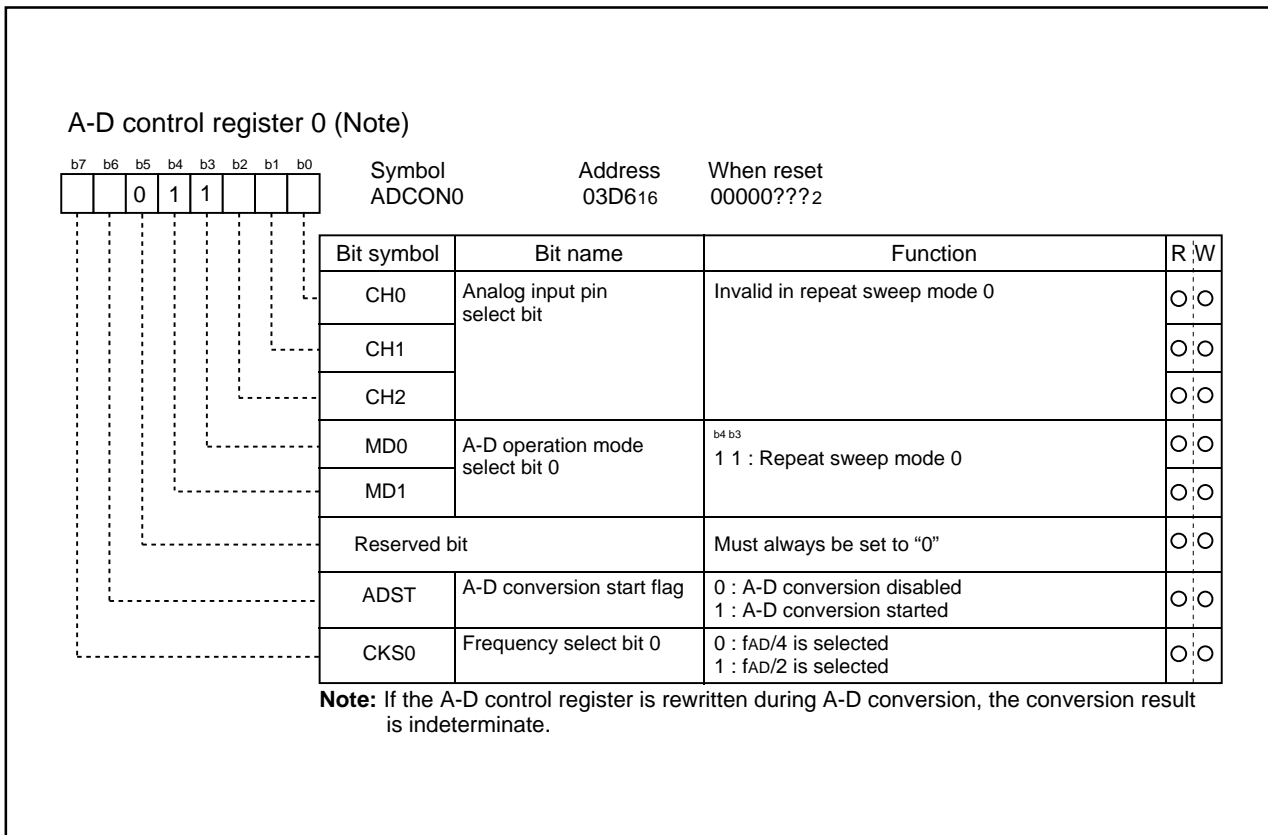


Figure 2.12.12 A-D control register 0 in repeat sweep mode 0

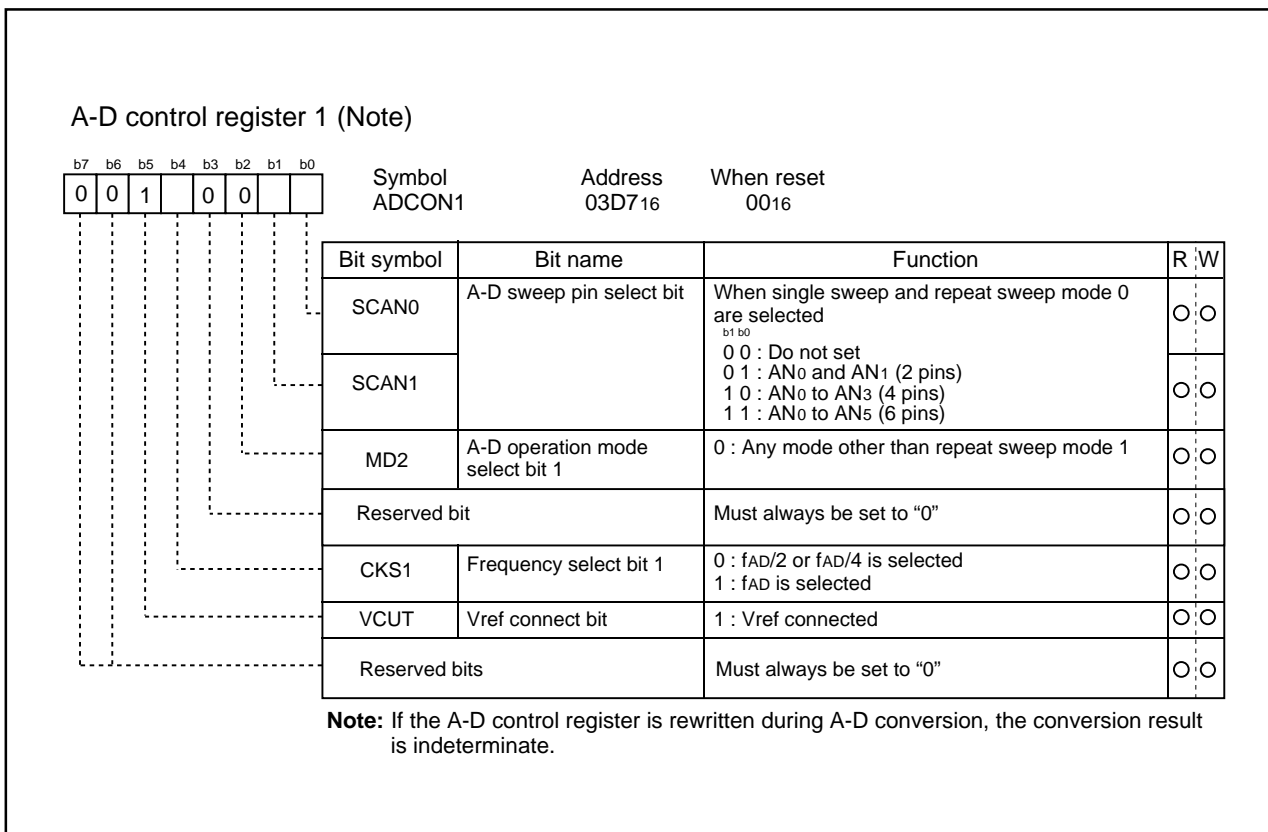


Figure 2.12.13 A-D control register 1 in repeat sweep mode 0

M306V5ME-XXXSP
M306V5EESP

SINGLE-CHIP 16-BIT CMOS MICROCOMPUTER with CLOSED CAPTION DECODER
and ON-SCREEN DISPLAY CONTROLLER

2.12.5 Repeat Sweep Mode 1

In repeat sweep mode 1, all pins are used for A-D conversion with emphasis on the pin or pins selected using the A-D sweep pin select bit. Table 2.12.6 shows the specifications of repeat sweep mode 1. Figures 2.12.14 and 2.12.15 show the A-D control register in repeat sweep mode 1.

Table 2.12.6 Repeat sweep mode 1 specifications

Item	Specification
Function	All pins perform repeat sweep A-D conversion, with emphasis on the pin or pins selected by the A-D sweep pin select bit Example : AN ₀ selected AN ₀ → AN ₁ → AN ₀ → AN ₂ → AN ₀ → AN ₃ , etc
Start condition	Writing "1" to A-D conversion start flag
Stop condition	Writing "0" to A-D conversion start flag
Interrupt request generation timing	None generated
Input pin	AN ₀ (1 pin), AN ₀ and AN ₁ (2 pins)
Reading of result of A-D converter	Read A-D register corresponding to selected pin (at any time)

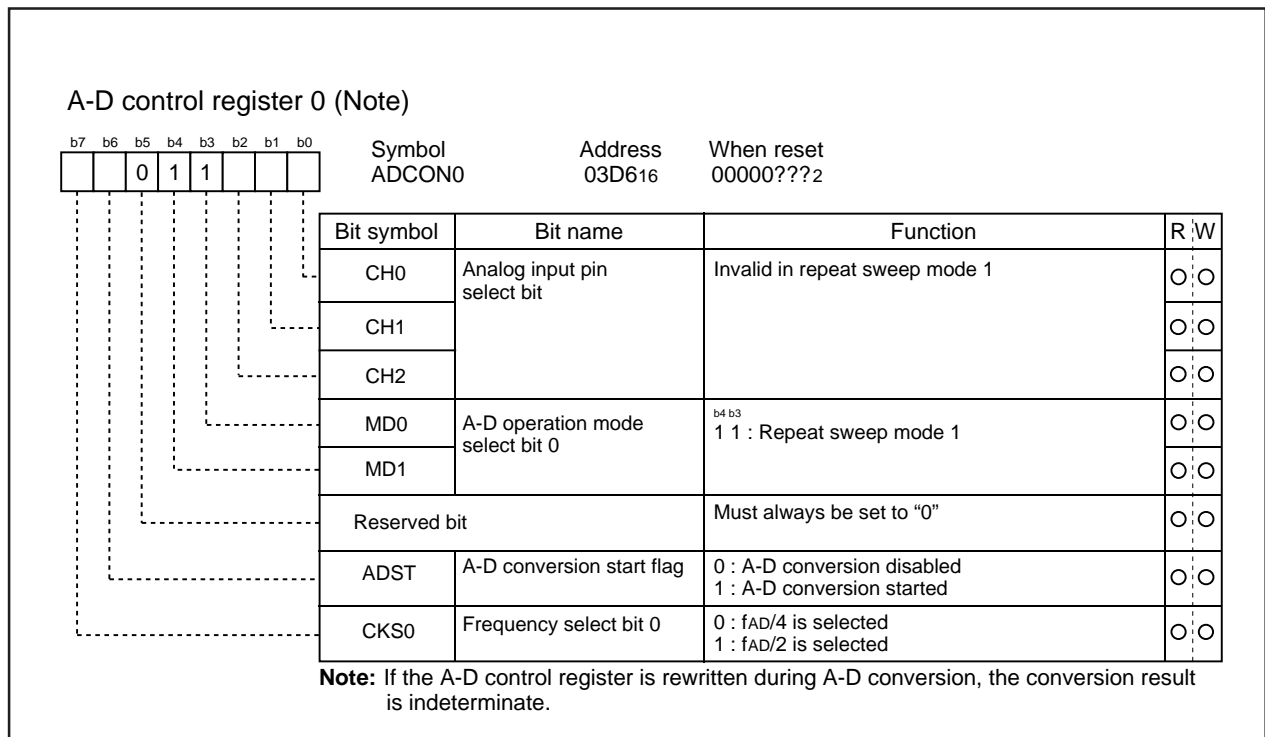


Figure 2.12.14 A-D control register 0 in repeat sweep mode 1

M306V5ME-XXXSP
M306V5EESP

SINGLE-CHIP 16-BIT CMOS MICROCOMPUTER with CLOSED CAPTION DECODER
and ON-SCREEN DISPLAY CONTROLLER

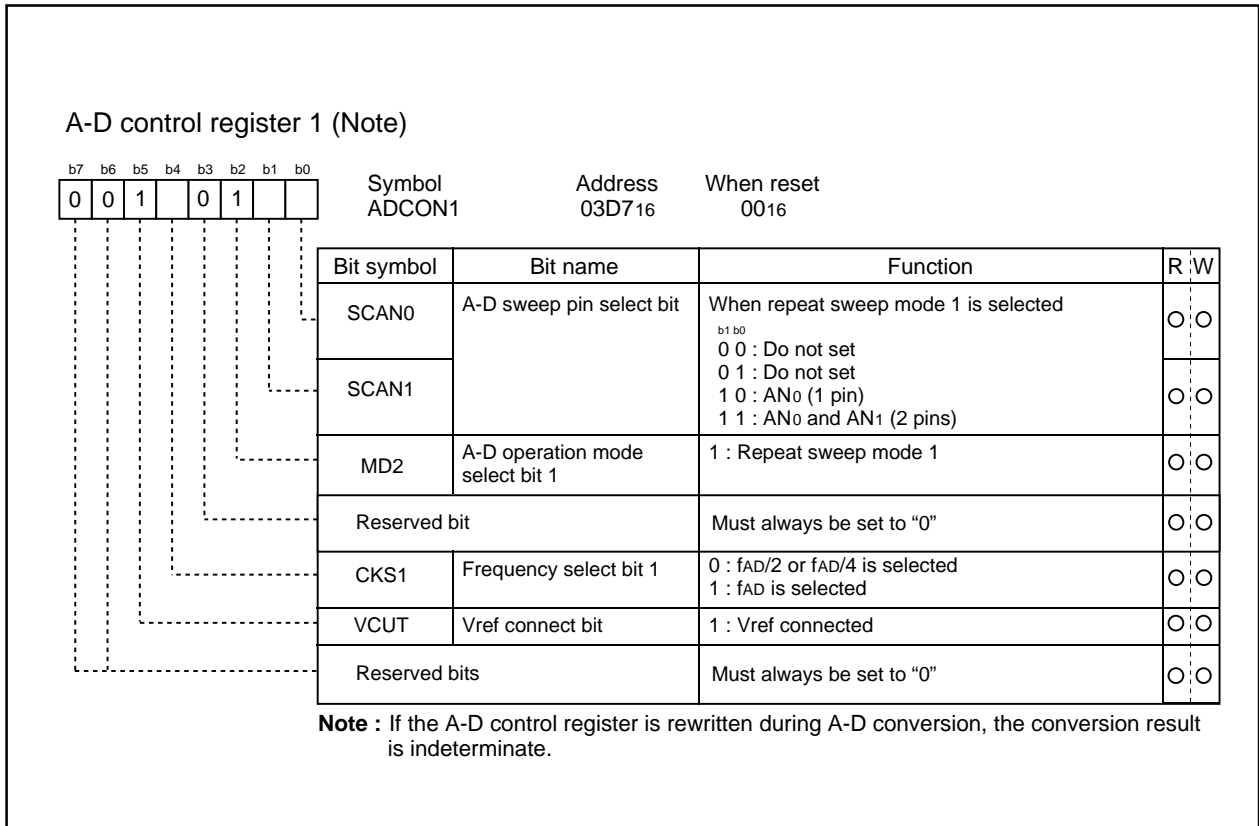


Figure 2.12.15 A-D control register 1 in repeat sweep mode 1

2.12.6 Sample and Hold

Sample and hold is selected by setting bit 0 of the A-D control register 2 (address 03D416) to "1". When sample and hold is selected, the rate of conversion of each pin increases. As a result, a 28 ϕ_{AD} cycle is achieved. Sample and hold can be selected in all modes. However, in all modes, be sure to specify before starting A-D conversion whether sample and hold is to be used.

M306V5ME-XXXSP
M306V5EESP

SINGLE-CHIP 16-BIT CMOS MICROCOMPUTER with CLOSED CAPTION DECODER
and ON-SCREEN DISPLAY CONTROLLER

2.13 D-A Converter

This is an 8-bit, R-2R type D-A converter. The microcomputer contains two independent D-A converters of this type.

D-A conversion is performed when a value is written to the corresponding D-A register. Bits 0 and 1 (D-A output enable bits) of the D-A control register decide if the result of conversion is to be output. Do not set the target port to output mode if D-A conversion is to be performed.

Output analog voltage (V) is determined by a set value (n : decimal) in the D-A register.

$$V = V_{REF} \times n / 256 \quad (n = 0 \text{ to } 255)$$

V_{REF} : reference voltage

Table 2.13.1 lists the performance of the D-A converter. Figure 2.13.1 shows the block diagram of the D-A converter. Figure 2.13.2 shows the A-D control register, Figure 2.13.3 shows the D-A register and Figure 2.13.4 shows the D-A converter equivalent circuit.

Table 2.13.1 Performance of D-A converter

Item	Performance
Conversion method	R-2R method
Resolution	8 bits
Analog output pin	2 channels

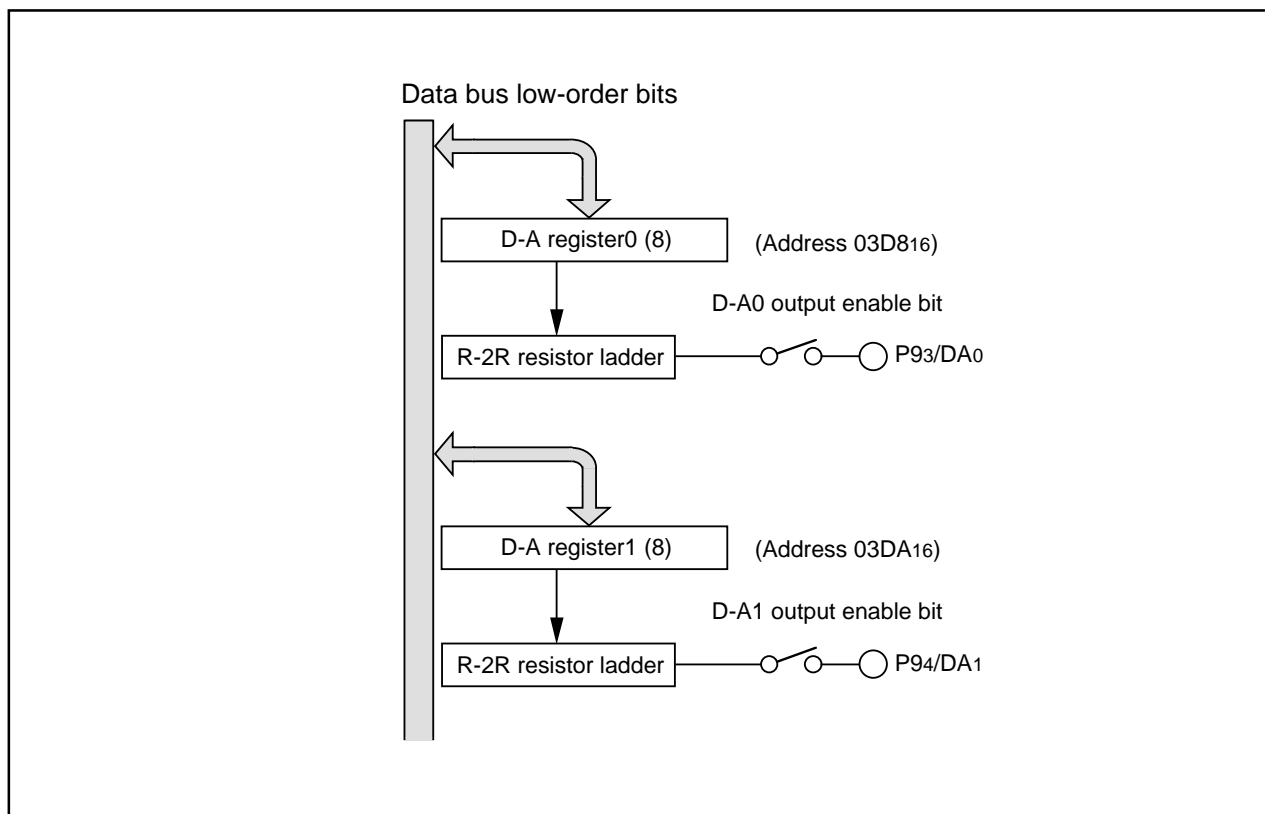


Figure 2.13.1 Block diagram of D-A converter

M306V5ME-XXXSP
M306V5EESP

SINGLE-CHIP 16-BIT CMOS MICROCOMPUTER with CLOSED CAPTION DECODER
and ON-SCREEN DISPLAY CONTROLLER

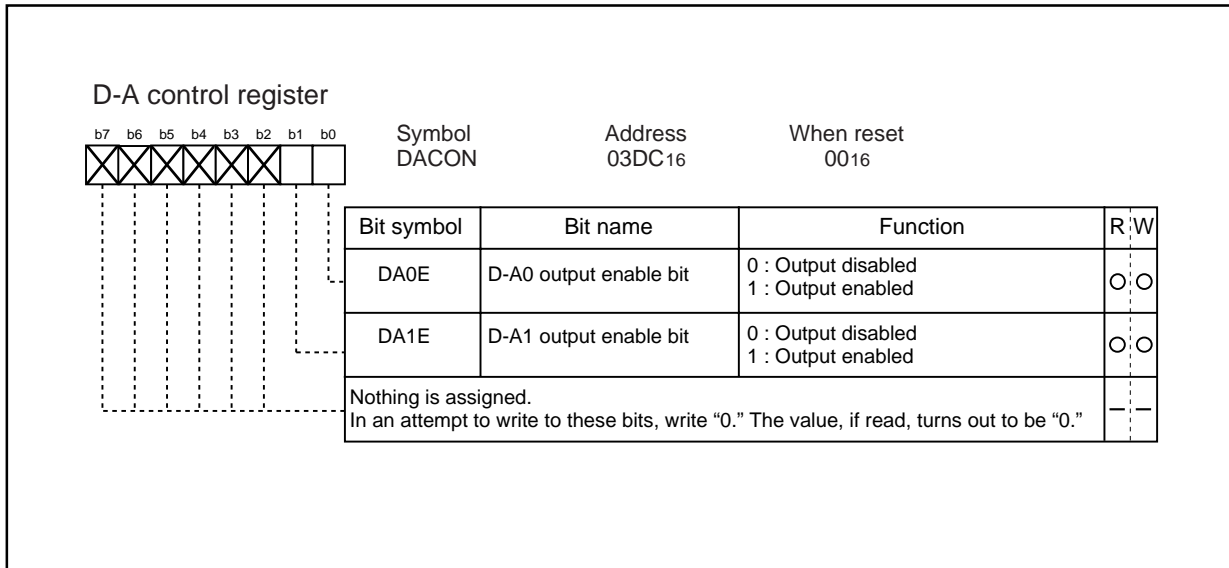


Figure 2.13.2 D-A control register

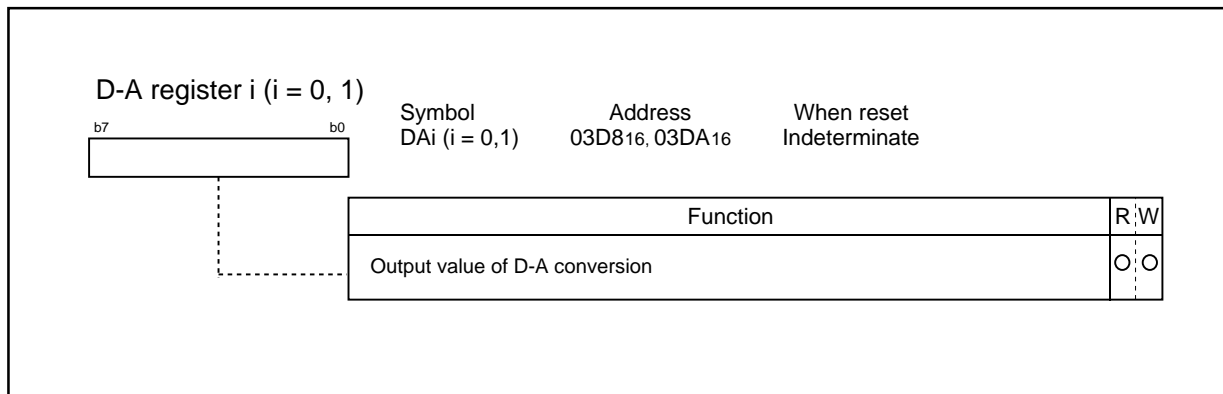


Figure 2.13.3 D-A register i (i = 0 and 1)

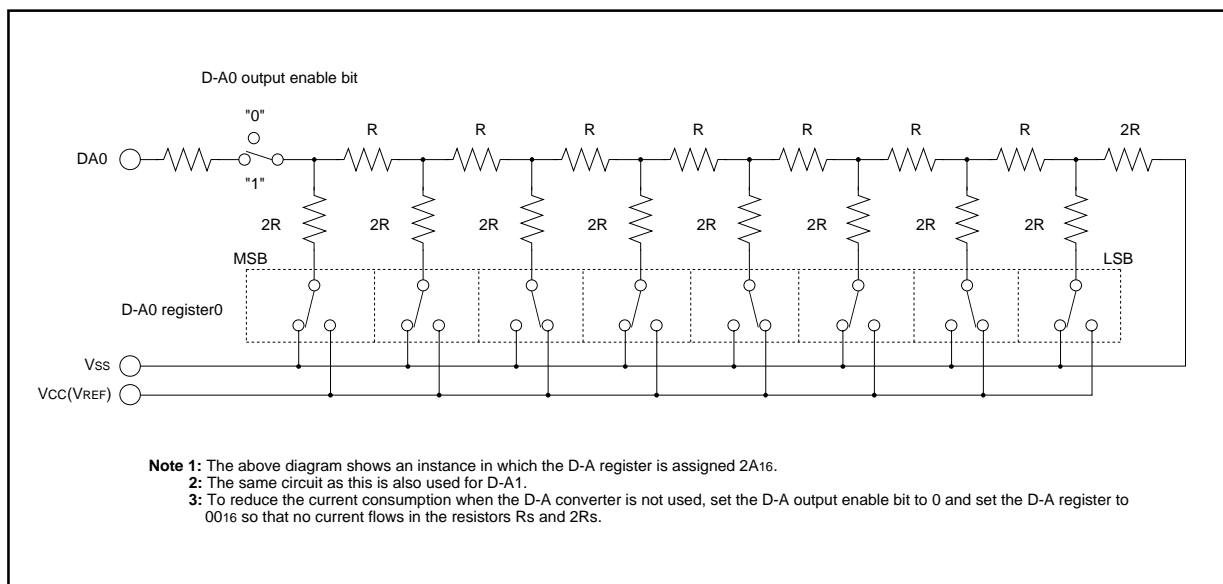


Figure 2.13.4 D-A converter equivalent circuit

2.14 Data Slicer

This microcomputer includes the data slicer function for the closed caption decoder (referred to as the CCD). This function takes out the caption data superimposed in the vertical blanking interval of a composite video signal. A composite video signal which makes the sync chip's polarity negative is input to the CVIN pin.

When the data slicer function is not used, the data slicer circuit and the timing signal generating circuit can be cut off by setting bit 0 of the data slicer control register 1 (address 026016) to "0." These settings can realize the low-power dissipation.

Note: When using the data slicer, set bit 7 of the peripheral mode register (address 027D16) according to the main clock frequency.

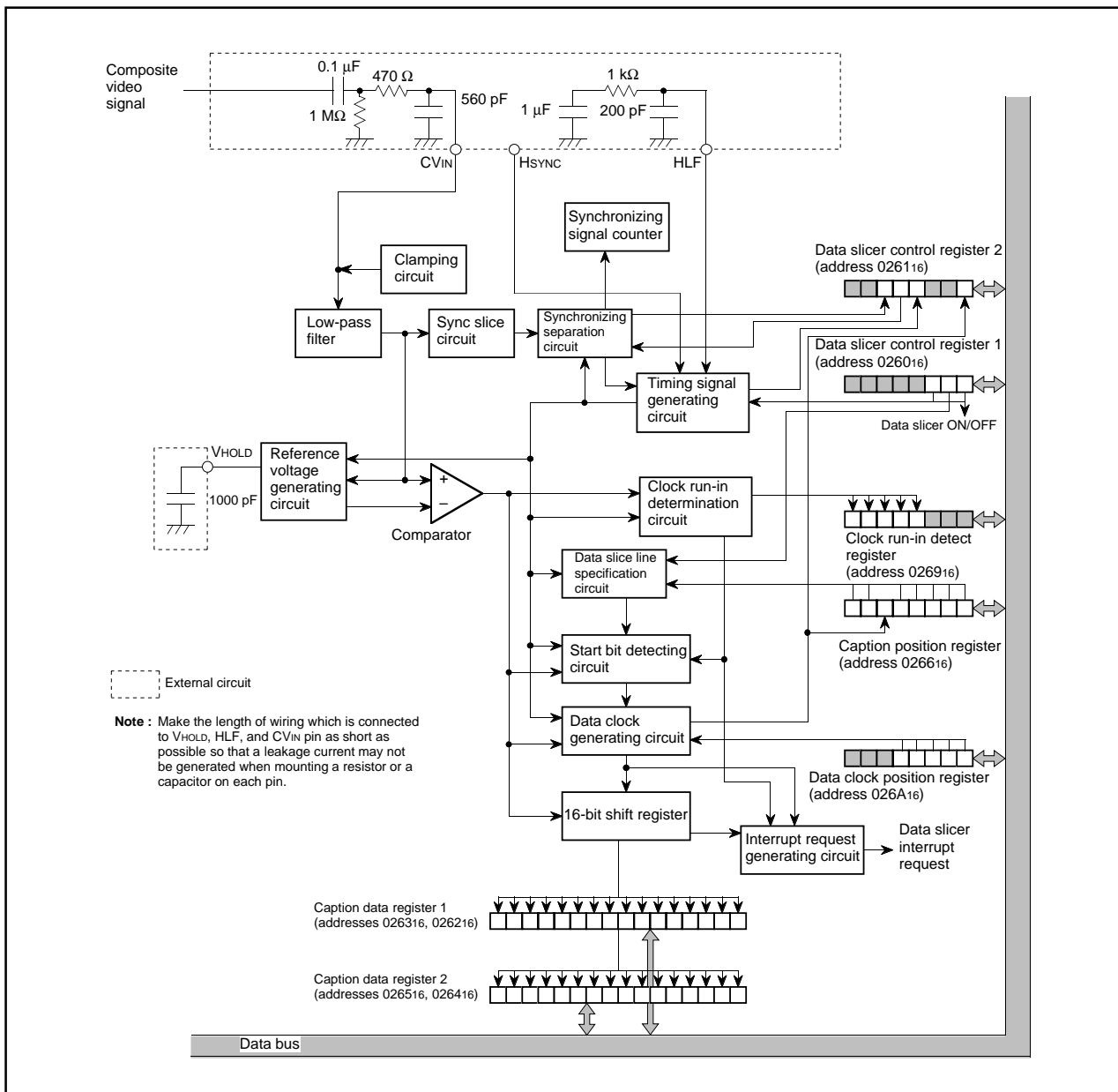


Figure 2.14.1 Data slicer block diagram

2.14.1 Notes when not Using Data Slicer

When bit 0 of data slicer control register 1 (address 026016) is "0," terminate the pins as shown in Figure 2.14.2

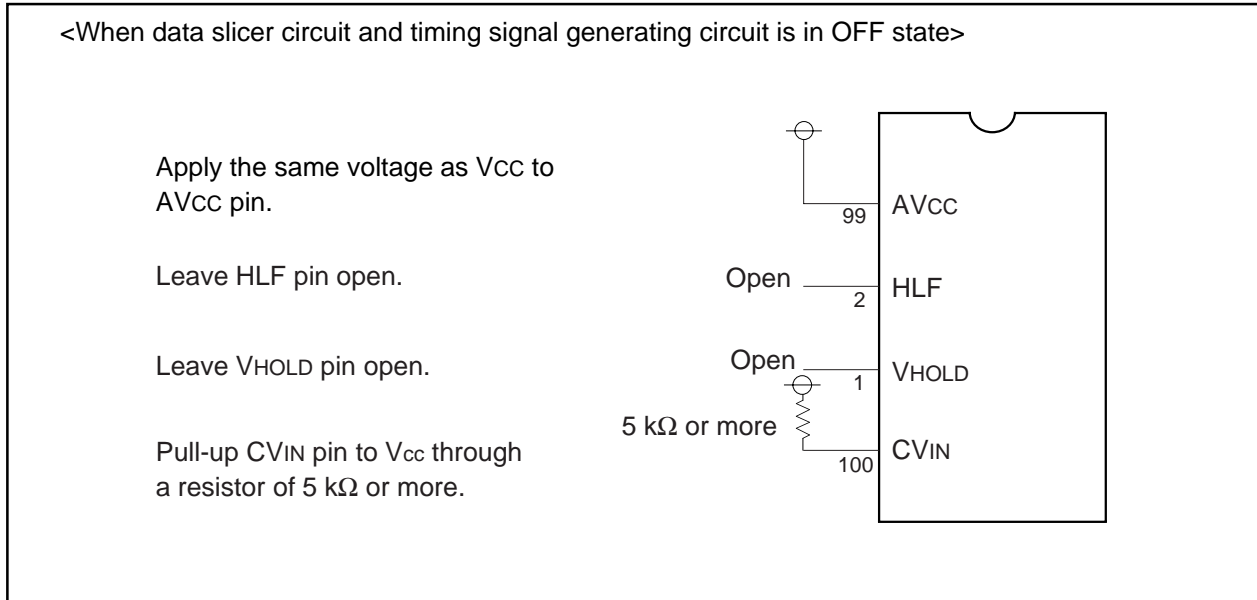


Figure 2.14.2 Termination of data slicer input/output pins when data slicer circuit and timing generating circuit is in OFF state

When both bits 0 and 2 of data slicer control register 1 (address 026016) are "1," terminate the pins as shown in Figure 2.14.3.

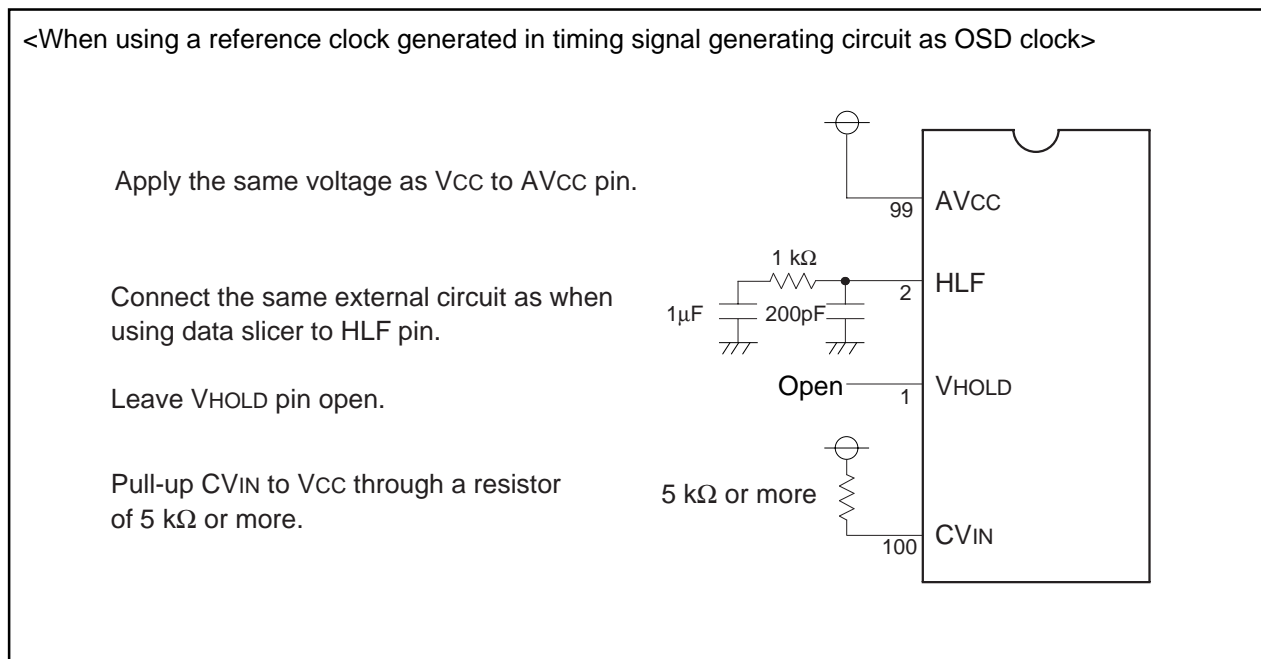


Figure 2.14.3 Termination of data slicer input/output pins when timing signal generating circuit is in ON state

M306V5ME-XXXSP
M306V5EESP

SINGLE-CHIP 16-BIT CMOS MICROCOMPUTER with CLOSED CAPTION DECODER
and ON-SCREEN DISPLAY CONTROLLER

Figures 2.14.4 and 2.14.5 the data slicer control registers.

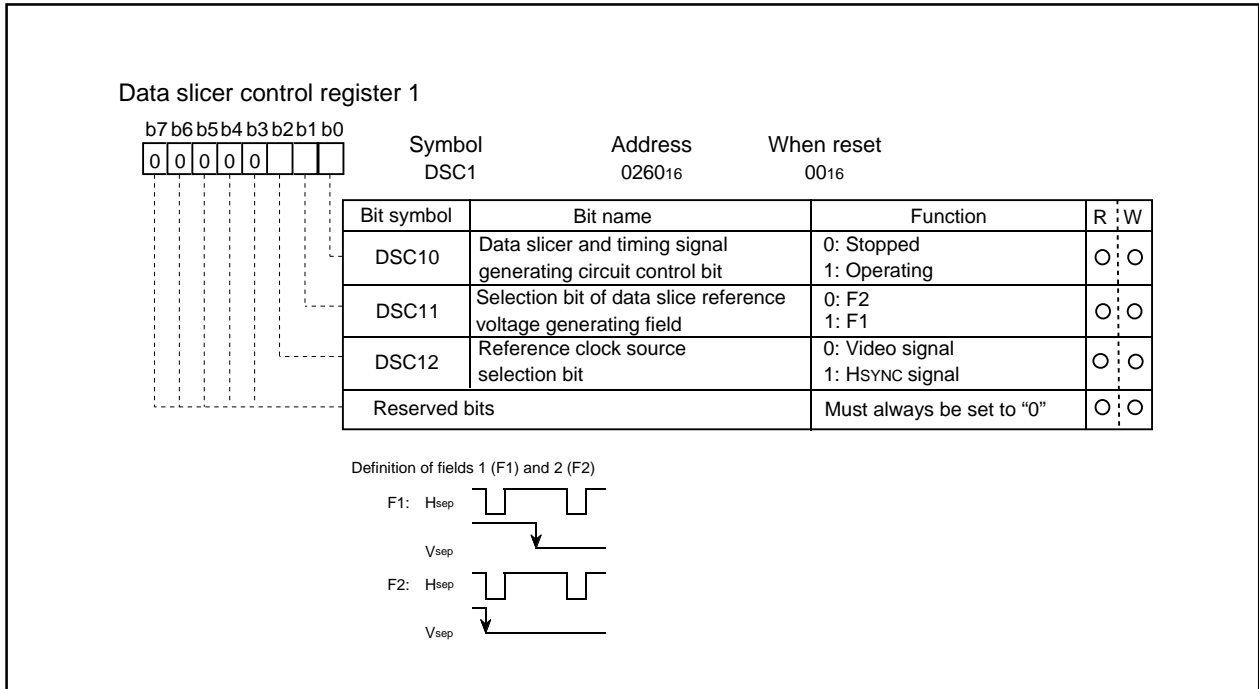


Figure 2.14.4 Data slicer control register 1

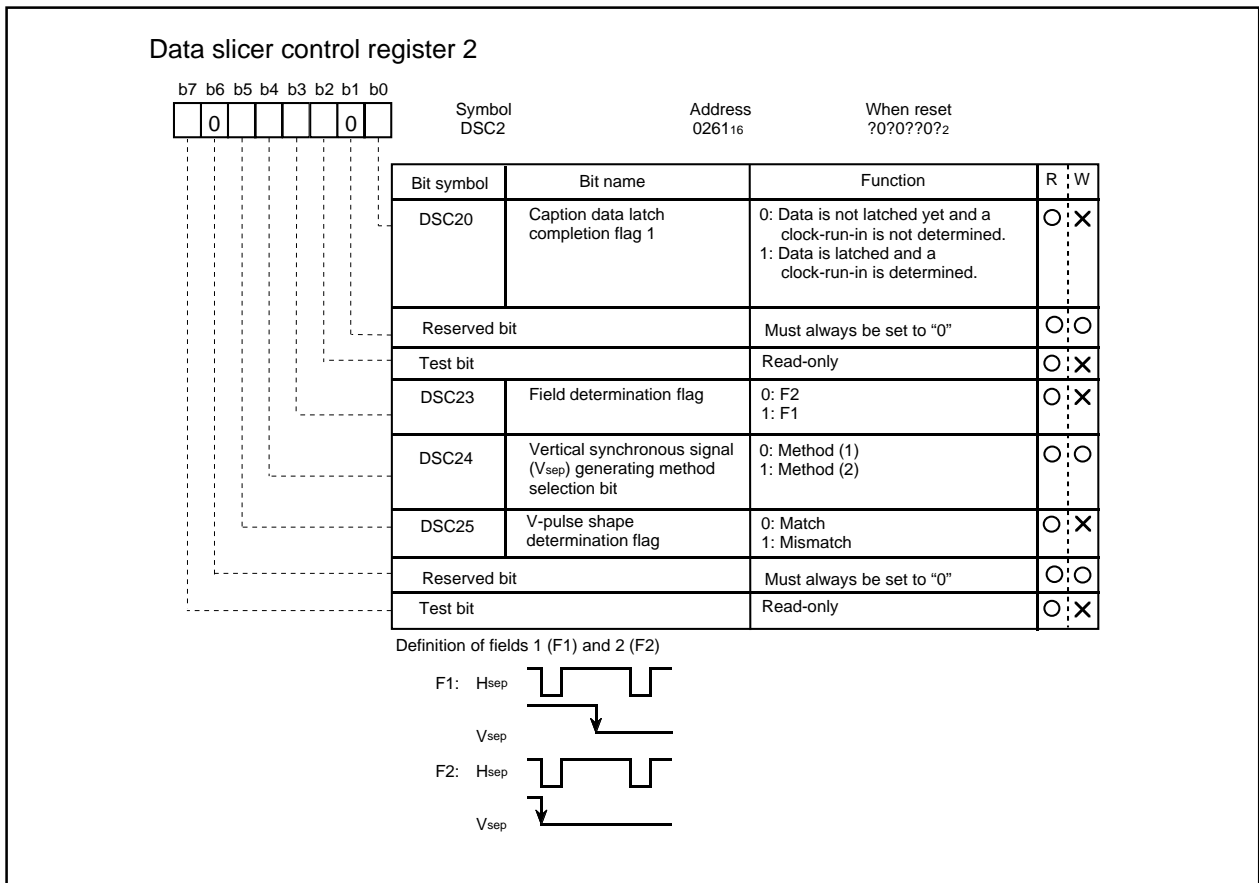


Figure 2.14.5 Data slicer control register 2

2.14.2 Clamping Circuit and Low-pass Filter

The clamp circuit clamps the sync chip part of the composite video signal input from the CVIN pin. The low-pass filter attenuates the noise of clamped composite video signal. The CVIN pin to which composite video signal is input requires a capacitor (0.1 mF) coupling outside. Pull down the CVIN pin with a resistor of hundreds of kilohms to 1 M Ω . In addition, we recommend to install externally a simple low-pass filter using a resistor and a capacitor at the CVIN pin (refer to Figure 2.14.1).

2.14.3 Sync Slice Circuit

This circuit takes out a composite sync signal from the output signal of the low-pass filter.

2.14.4 Synchronous Signal Separation Circuit

This circuit separates a horizontal synchronous signal and a vertical synchronous signal from the composite sync signal taken out in the sync slice circuit.

(1) Horizontal synchronous signal (Hsep)

A one-shot horizontal synchronizing signal Hsep is generated at the falling edge of the composite sync signal.

(2) Vertical synchronous signal (Vsep)

As a Vsep signal generating method, it is possible to select one of the following 2 methods by using bit 4 of the data slicer control register 2 (address 026116).

- Method 1 The "L" level width of the composite sync signal is measured. If this width exceeds a certain time, a Vsep signal is generated in synchronization with the rising of the timing signal immediately after this "L" level.
- Method 2 The "L" level width of the composite sync signal is measured. If this width exceeds a certain time, it is detected whether a falling of the composite sync signal exits or not in the "L" level period of the timing signal immediately after this "L" level. If a falling exists, a Vsep signal is generated in synchronization with the rising of the timing signal (refer to Figure 2.14.6).

Figure 2.14.6 shows a Vsep generating timing. The timing signal shown in the figure is generated from the reference clock which the timing generating circuit outputs.

Reading bit 5 of data slicer control register 2 permits determining the shape of the V-pulse portion of the composite sync signal. As shown in Figure 2.14.7, when the A level matches the B level, this bit is "0." In the case of a mismatch, the bit is "1."

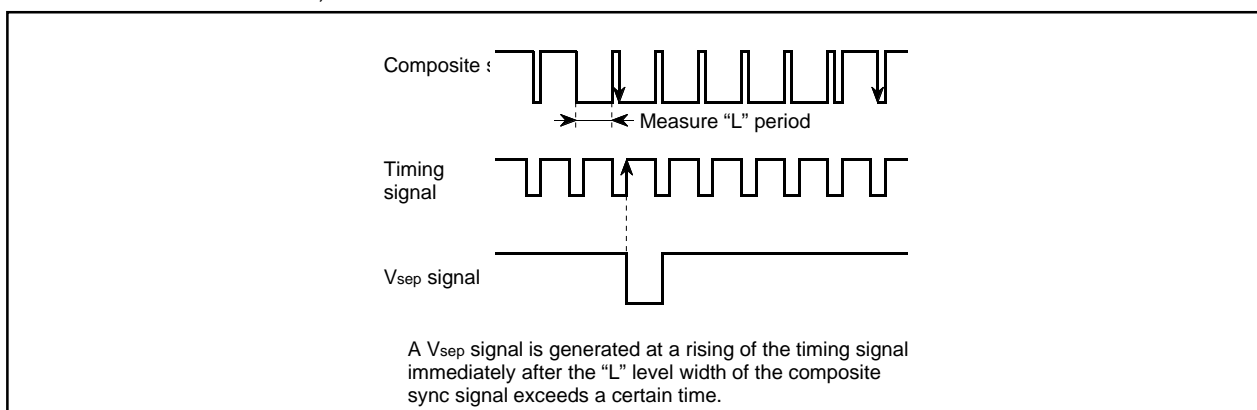


Figure 2.14.6 Vsep generating timing (method 2)

2.14.5 Timing Signal Generating Circuit

This circuit generates a reference clock which is 832 times as large as the horizontal synchronous signal frequency. It also generates various timing signals on the basis of the reference clock, horizontal synchronous signal and vertical synchronizing signal. The circuit operates by setting bit 0 of data slicer control register 1 (address 0260₁₆) to "1."

The reference clock can be used as a display clock for OSD function in addition to the data slicer. The HSYNC signal can be used as a count source instead of the composite sync signal. However, when the HSYNC signal is selected, the data slicer cannot be used. A count source of the reference clock can be selected by bit 2 of data slicer control register 1 (address 0260₁₆).

For the pins HLF, connect a resistor and a capacitor as shown in Figure 2.14.1 Make the length of wiring which is connected to these pins as short as possible so that a leakage current may not be generated.

Note: It takes a few tens of milliseconds until the reference clock becomes stable after the data slicer and the timing signal generating circuit are started. In this period, various timing signals, Hsep signals and Vsep signals become unstable. For this reason, take stabilization time into consideration when programming.

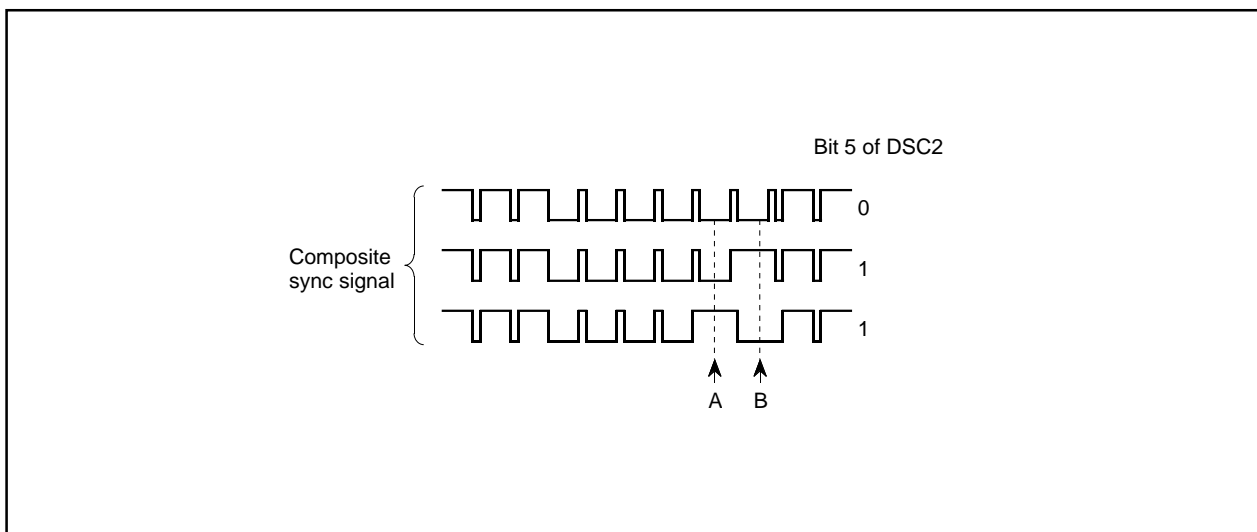


Figure 2.14.7 Determination of v-pulse waveform

2.14.6 Data Slice Line Specification Circuit

(1) Specification of data slice line

This circuit decides a line on which caption data is superimposed. The line 21 (fixed), 1 appropriate line for a period of 1 field (total 2 line for a period of 1 field), and both fields (F1 and F2) are sliced their data. The caption position register (address 026616) is used for each setting (refer to Table 2.14.1). The counter is reset at the falling edge of V_{sep} and is incremented by 1 every H_{sep} pulse. When the counter value matched the value specified by bits 4 to 0 of the caption position register, this H_{sep} is sliced.

The values of "0016" to "1F16" can be set in the caption position register (at setting only 1 appropriate line). Figure 2.14.8 shows the signals in the vertical blanking interval. Figure 2.14.9 shows the caption position register.

(2) Specification of line to set slice voltage

The reference voltage for slicing (slice voltage) is generated for the clock run-in pulse in the particular line (refer to Table 2.14.1). The field to generate slice voltage is specified by bit 1 of data slicer control register 1. The line to generate slice voltage 1 field is specified by bits 6, 7 of the caption position register (refer to Table 2.14.1).

(3) Field determination

The field determination flag can be read out by bit 3 of data slicer control register 2. This flag change at the falling edge of V_{sep} .

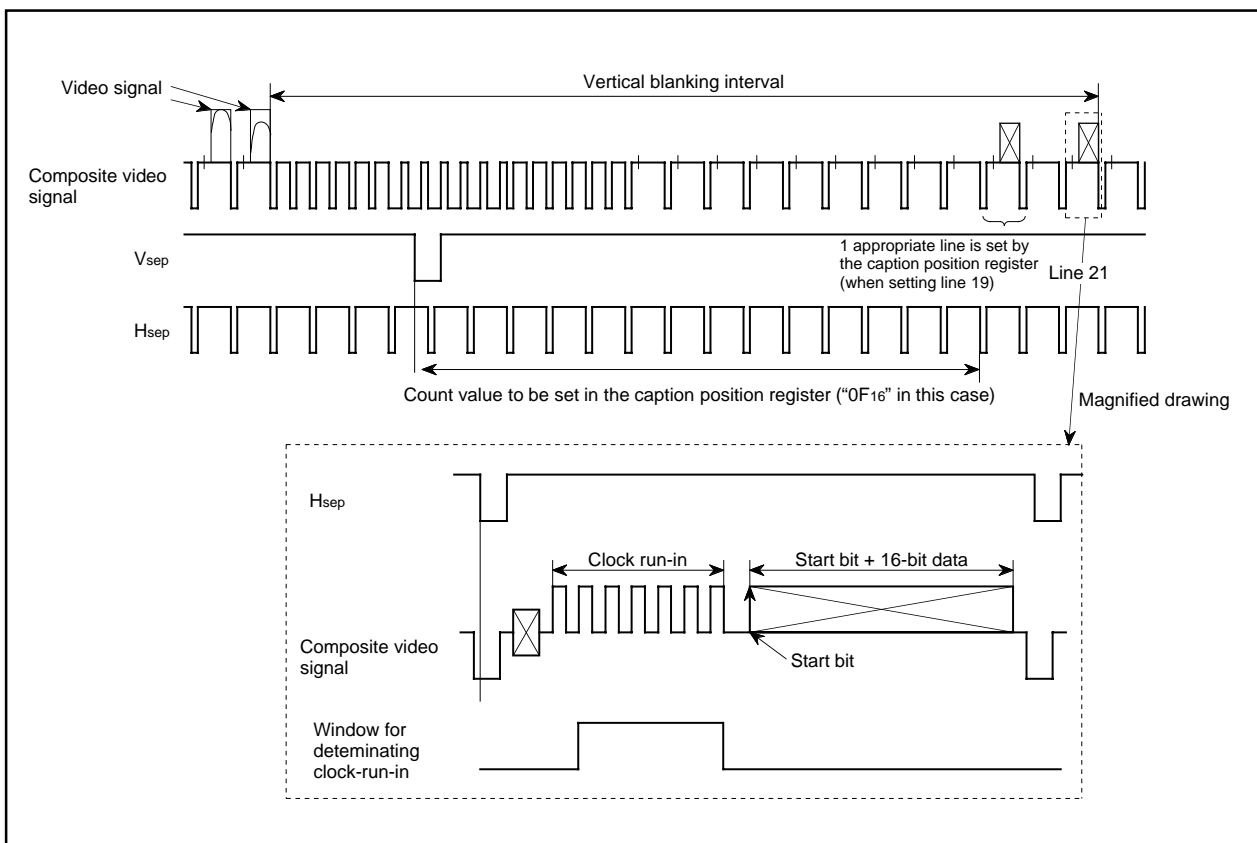


Figure 2.14.8 Signals in vertical blanking interval

M306V5ME-XXXSP
M306V5EESP

SINGLE-CHIP 16-BIT CMOS MICROCOMPUTER with CLOSED CAPTION DECODER
and ON-SCREEN DISPLAY CONTROLLER

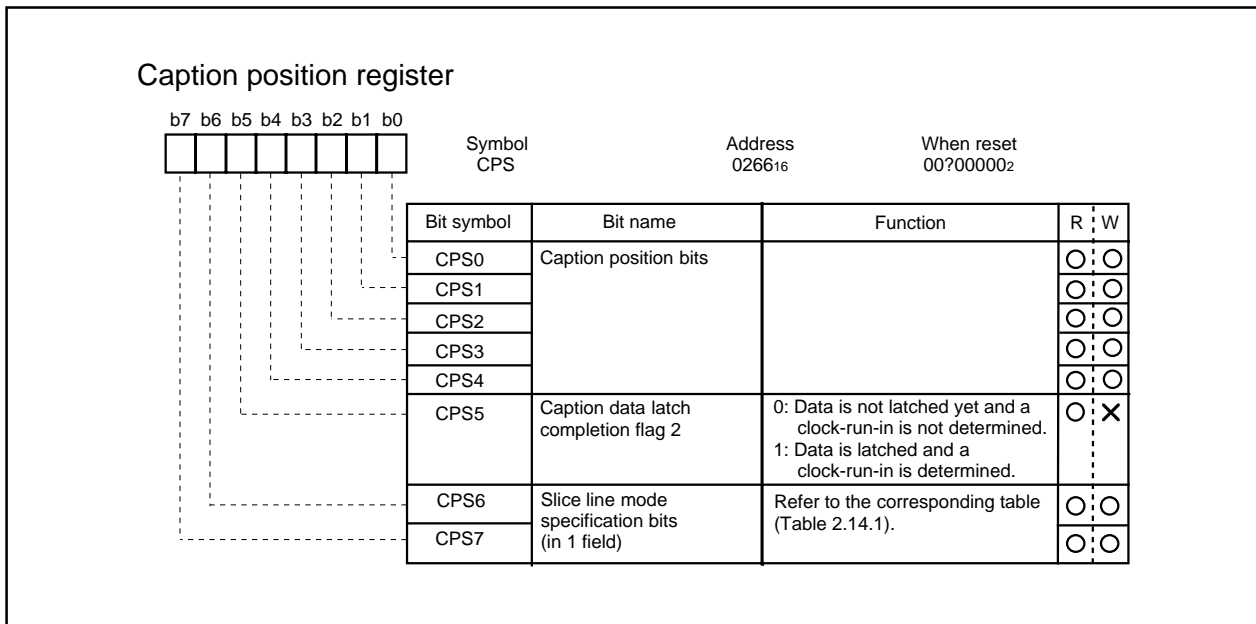


Figure 2.14.9 Caption position register

Table 2.14.1 Specification of data slice line

CPS		Field and Line to Be Sliced Data	Field and Line to Generate Slice Voltage
b7	b6		
0	0	<ul style="list-style-type: none"> Both fields of F1 and F2 Line 21 and a line specified by bits 4 to 0 of CPS (total 2 lines) (See note 2) 	<ul style="list-style-type: none"> Field specified by bit 1 of DSC1 Line 21 (total 1 line)
0	1	<ul style="list-style-type: none"> Both fields of F1 and F2 A line specified by bits 4 to 0 of CPS (total 1 line) (See note 3) 	<ul style="list-style-type: none"> Field specified by bit 1 of DSC1 A line specified by bits 4 to 0 of CPS (total 1 line) (See note 3)
1	0	<ul style="list-style-type: none"> Both fields of F1 and F2 Line 21 (total 1 line) 	<ul style="list-style-type: none"> Field specified by bit 1 of DSC1 Line 21 (total 1 line)
1	1	<ul style="list-style-type: none"> Both fields of F1 and F2 Line 21 and a line specified by bits 4 to 0 of CPS (total 2 lines) (See note 2) 	<ul style="list-style-type: none"> Field specified by bit 1 of DSC1 Line 21 and a line specified by bits 4 to 0 of CPS (total 2 lines) (See note 2)

- Notes 1:** DSC is data slicer control register 1.
CPS is caption position register.
2: Set "00₁₆" to "10₁₆" to bits 4 to 0 of CPS.
3: Set "00₁₆" to "1F₁₆" to bits 4 to 0 of CPS.

2.14.7 Reference Voltage Generating Circuit and Comparator

The composite video signal clamped by the clamping circuit is input to the reference voltage generating circuit and the comparator.

(1) Reference voltage generating circuit

This circuit generates a reference voltage (slice voltage) by using the amplitude of the clock run-in pulse in line specified by the data slice line specification circuit. Connect a capacitor between the VHOLD pin and the VSS pin, and make the length of wiring as short as possible so that a leakage current may not be generated.

(2) Comparator

The comparator compares the voltage of the composite video signal with the voltage (reference voltage) generated in the reference voltage generating circuit, and converts the composite video signal into a digital value.

2.14.8 Start Bit Detecting Circuit

This circuit detects a start bit at line decided in the data slice line specification circuit.

The detection of a start bit is described below.

- ① A sampling clock is generated by dividing the reference clock output by the timing signal.
- ② A clock run-in pulse is detected by the sampling clock.
- ③ After detection of the pulse, a start bit pattern is detected from the comparator output.

2.14.9 Clock Run-in Determination Circuit

This circuit determinates clock run-in by counting the number of pulses in a window of the composite video signal.

The reference clock count value in one pulse cycle is stored in bits 3 to 7 of the clock run-in detect register (address 0269₁₆). Read out these bits after the occurrence of a data slicer interrupt (refer to 2.14.12 Interrupt request generating circuit).

Figure 2.14.10 shows the structure of clock run-in detect register.

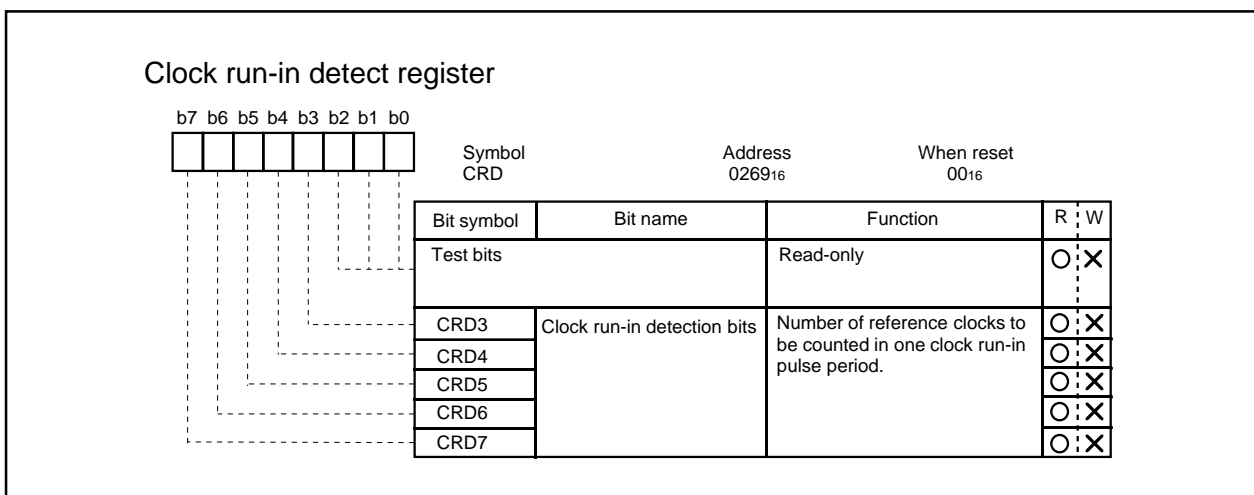


Figure 2.14.10 Clock run-in detect register

2.14.10 Data Clock Generating Circuit

This circuit generates a data clock synchronized with the start bit detected in the start bit detecting circuit. The data clock stores caption data to the 16-bit shift register. When the 16-bit data has been stored and the clock run-in determination circuit determines clock run-in, the caption data latch completion flag is set. This flag is reset at a falling of the vertical synchronous signal (V_{sep}).

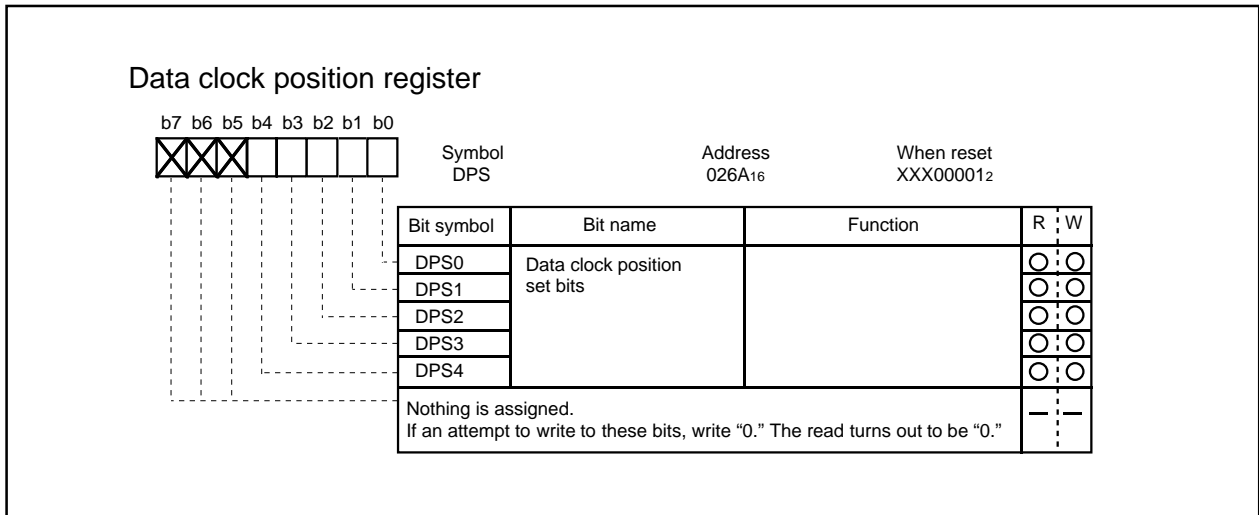


Figure 2.14.11 Data clock position register

2.14.11 16-bit Shift Register

The caption data converted into a digital value by the comparator is stored into the 16-bit shift register in synchronization with the data clock. The contents of the stored caption data can be obtained by reading out the caption data register 1 (addresses 0263₁₆, 0262₁₆) and caption data register 2 (addresses 0265₁₆, 0264₁₆). These registers are reset to "0" at a falling of V_{sep} . Read out data registers 1 and 2 after the occurrence of a data slicer interrupt (refer to "2.14.12 Interrupt request generating circuit").

M306V5ME-XXXSP
M306V5EESP

SINGLE-CHIP 16-BIT CMOS MICROCOMPUTER with CLOSED CAPTION DECODER
and ON-SCREEN DISPLAY CONTROLLER

2.14.12 Interrupt Request Generating Circuit

The interrupt requests as shown in Table 2.14.3 are generated by combination of the following bits; bits 6 and 7 of the caption position register (address 0266₁₆). Read out the contents of data registers 1, 2 and the contents of bits 3 to 7 of the clock run-in detect register after the occurrence of a data slicer interrupt request.

Table 2.14.2 Contents of caption data latch completion flag and 16-bit shift register

Slice Line Specification Mode		Contents of Caption Data Latch Completion Flag		Contents of 16-bit Shift Register	
CPS		Completion Flag 1 (bit 0 of DSC2)	Completion Flag 2 (bit 5 of CPS)	Caption Data Register 1	Caption Data Register 2
bit 7	bit 6				
0	0	Line 21	A line specified by bits 4 to 0 of CPS	16-bit data of line 21	16-bit data of a line specified by bits 4 to 0 of CPS
0	1	A line specified by bits 4 to 0 of CPS	Invalid	16-bit data of a line specified by bits 4 to 0 of CPS	Invalid
1	0	Line 21	Invalid	16-bit data of line 21	Invalid
1	1	Line 21	A line specified by bits 4 to 0 of CPS	16-bit data of line 21	16-bit data of a line specified by bits 4 to 0 of CPS

CPS: Caption position register
DSC2: Data slicer control register 2

Table 2.14.3 Occurrence sources of Interrupt request

CPS		Occurrence Sources of Interrupt Request at End of Data Slice Line
b7	b6	
0	0	After slicing line 21
	1	After a line specified by bits 4 to 0 of CPS
1	0	After slicing line 21
	1	After slicing line 21

CPS: Caption position register

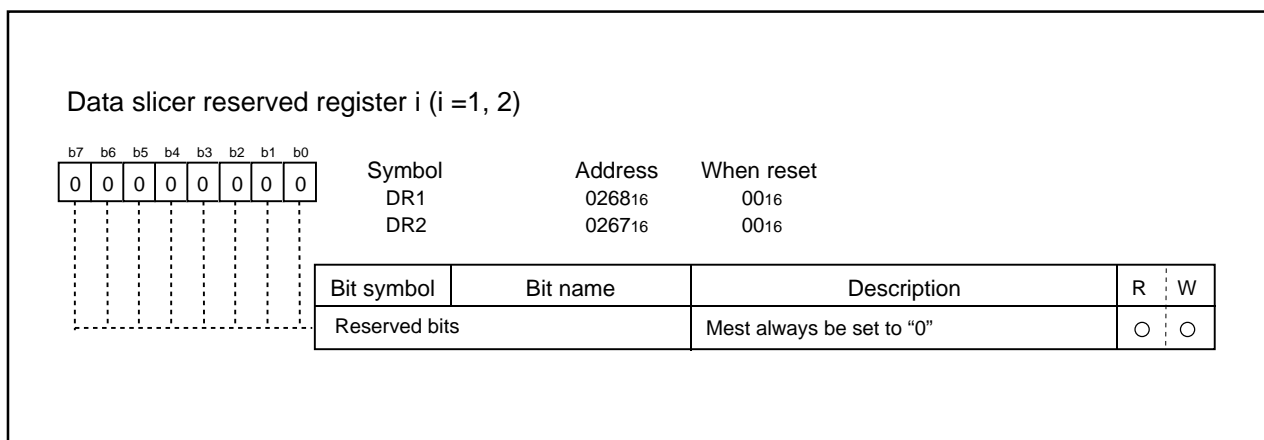


Figure 2.14.12 Data slicer reserved register i (i = 1, 2)

M306V5ME-XXXSP
M306V5EESP

SINGLE-CHIP 16-BIT CMOS MICROCOMPUTER with CLOSED CAPTION DECODER
and ON-SCREEN DISPLAY CONTROLLER

2.15 HSYNC Counter

The synchronous signal counter counts HSYNC from HSYNC count input pins (HC0/P75, HC1/P77) as a count source.

The count value in a certain time (T time; 1024 μ s, 2048 μ s, 4096 μ s and 8192 μ s) divided system clock f32 is stored into the 8-bit latch.

Accordingly, the latch value changes in the cycle of T time. When the count value exceeds "FF16," "FF16" is stored into the latch.

The latch value can be obtained by reading out the HSYNC counter latch (address 027F16). A count source and count update cycle (T time) are selected by bits 0, 3 and 4 of the HSYNC counter register.

Figure 2.15.1 shows the HSYNC counter and Figure 2.15.2 shows the synchronous signal counter block diagram.

Note: When using the HSYNC counter, set the port direction register corresponding to the HSYNC count input pins for input.

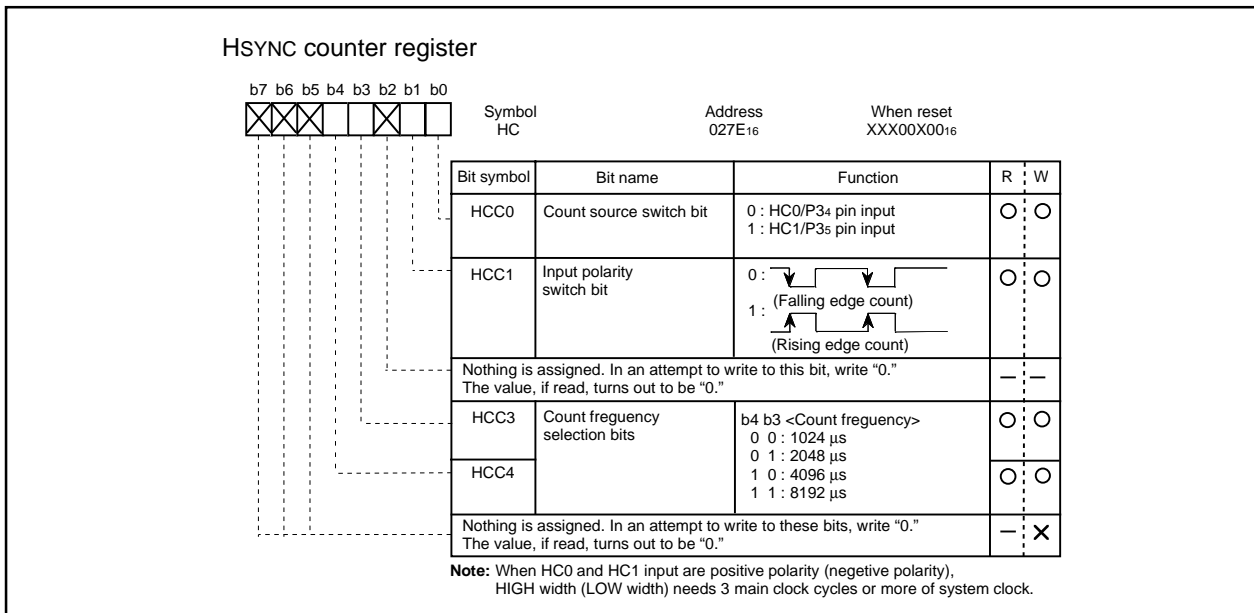


Figure 2.15.1 HSYNC counter register

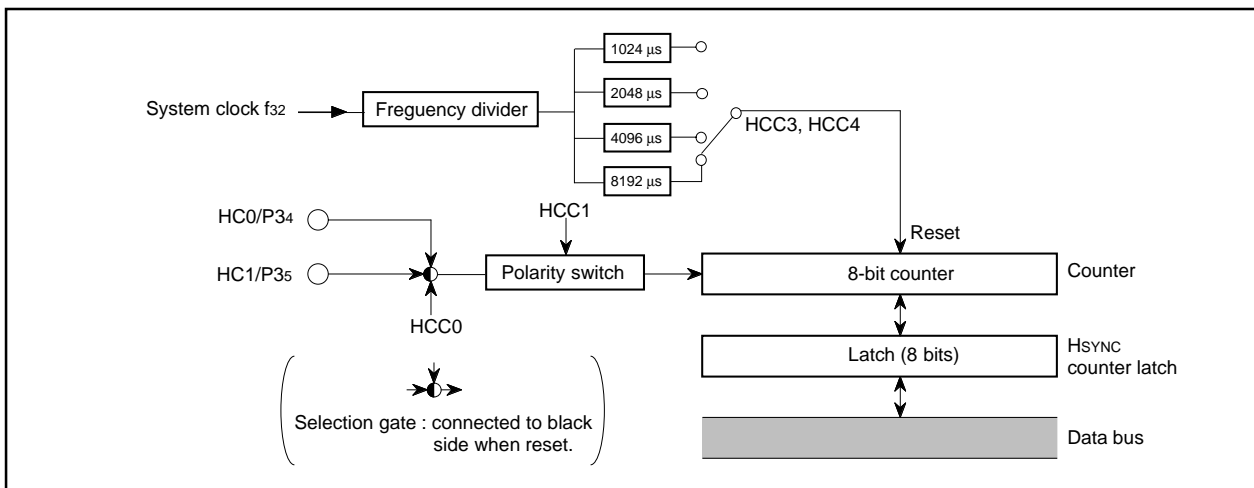


Figure 2.15.2 HSYNC counter block diagram

M306V5ME-XXXSP
M306V5EESP

SINGLE-CHIP 16-BIT CMOS MICROCOMPUTER with CLOSED CAPTION DECODER
and ON-SCREEN DISPLAY CONTROLLER

2.16 OSD Functions

Table 2.16.1 outlines the OSD functions of this microcomputer. This OSD function can display the following: the block display (32 characters X 16 lines or 42 characters X 16 lines) and the SPRITE display, and can display the both display at the same time. There are 3 display modes and they are selected by a block unit. The display modes are selected by block control register i (i = 1 to 16). The features of each display are described below.

Note: When using OSD function, select “No-division mode” as BCLK operating mode and set the main clock frequency to $f(XIN) = 10 \text{ MHz}$.

Table 2.16.1 Features of each display style

Display style Parameter		Block display				SPRITE display	
		CC mode (Closed caption mode)	OSD mode (On-screen display mode)				CDOSD mode (Color dot on-screen display mode)
			OSDS mode	OSDP mode	OSDL mode		
Number of display characters		32 characters X 16 lines/42 characters X 16 lines				1 character X 2 lines	
Dot structure		16 X 20 dots (Character display area: 16 X 26 dots)	16 X 20 dots 12 X 20 dots 8 X 20 dots 4 X 20 dots	24 X 32 dots	16 X 26 dots	32 X 20 dots	
Kinds of character ROM	OSDL enable mode	254 kinds		254 kinds	126 kinds	2 kinds of RAM font	
	OSDL disable mode	508 kinds		254 kinds	126 kinds		
Kinds of character sizes (See note 1)		4 kinds	14 kinds	12 kinds	14 kinds	8 kinds	
Pre-divide ratio (Note)		X 1, X 2				X 1, X 2, X 3	
Dot size		1Tc X 1/2H, 1Tc X 1H	1Tc X 1/2H, 1Tc X 1H, 1.5Tc X 1/2H, 1.5Tc X 1H, 2Tc X 2H, 3Tc X 3H	1Tc X 1/2H, 1Tc X 1H, 2Tc X 2H, 3Tc X 3H	1Tc X 1/2H, 1Tc X 1H, 1.5Tc X 1/2H, 1.5Tc X 1H, 2Tc X 2H, 3Tc X 3H	1Tc X 1/2H, 1Tc X 1H, 2Tc X 2H, 3Tc X 3H	
Attribute		Smooth italic, under line, flash	Border			_____	
Character font coloring		1 screen: 8 kinds (a character unit) Max. 512 kinds	1 screen: 16 kinds (a character unit) Max. 512 kinds	1 screen: 16 kinds (a dot unit) (only specified dots are colored by a character unit) Max. 512 kinds		1 screen: 16 kinds (a dot unit) Max. 512 kinds	
Character background coloring		Possible (a character unit, 1 screen: 4 kinds, Max. 512 kinds)	Possible (a character unit, 1 screen: 16 kinds, Max. 512 kinds)			_____	
Display layer		Layer 1	Layers 1, 2	Layer 1	Layers 1, 2	Layer 3 (with highest priority)	
OSD output (See note 2)		Analog R, G, B output (each 8 adjustment levels: 512 colors), Digital OUT1, OUT2 output					
Raster coloring		Possible (a screen unit, max 512 kinds)					
Other function (See note 3)		Auto solid space function	Triple layer OSD function, window function, blank function				
Display expansion (multiline display)		Possible					

- Notes 1:** The character size is specified with dot size and pre-divide ratio (refer to “2.16.3 Dot Size”).
- 2:** As for SPRITE display, OUT2 is not output.
- 3:** As for SPRITE display, the window function does not operate.
- 4:** The divide ratio of the frequency divider (the pre-divide circuit) is referred as “pre-divide ratio” hereafter.

M306V5ME-XXXSP
M306V5EESPSINGLE-CHIP 16-BIT CMOS MICROCOMPUTER with CLOSED CAPTION DECODER
and ON-SCREEN DISPLAY CONTROLLER

The OSD circuit has an extended display mode. This mode allows multiple lines (16 lines or more) to be displayed on the screen by interrupting the display each time one line is displayed and rewriting data in the block for which display is terminated by software.

Figure 2.16.1 shows the display-enable fonts for each display style. Figure 2.16.2 shows the block diagram of the OSD circuit. Figure 2.16.3 shows the OSD control register 1. Figure 2.16.4 shows the block control register i.

M306V5ME-XXXSP
M306V5EESP

SINGLE-CHIP 16-BIT CMOS MICROCOMPUTER with CLOSED CAPTION DECODER
and ON-SCREEN DISPLAY CONTROLLER

Display Styles	Display-enable Fonts
CC Mode	
OSDS Mode	
OSDP Mode	
OSDL Mode	
CDOSD Mode	
SPRITE	

Figure 2.16.1 Display-enable fonts for each display style

M306V5ME-XXXSP
M306V5EESP

SINGLE-CHIP 16-BIT CMOS MICROCOMPUTER with CLOSED CAPTION DECODER
and ON-SCREEN DISPLAY CONTROLLER

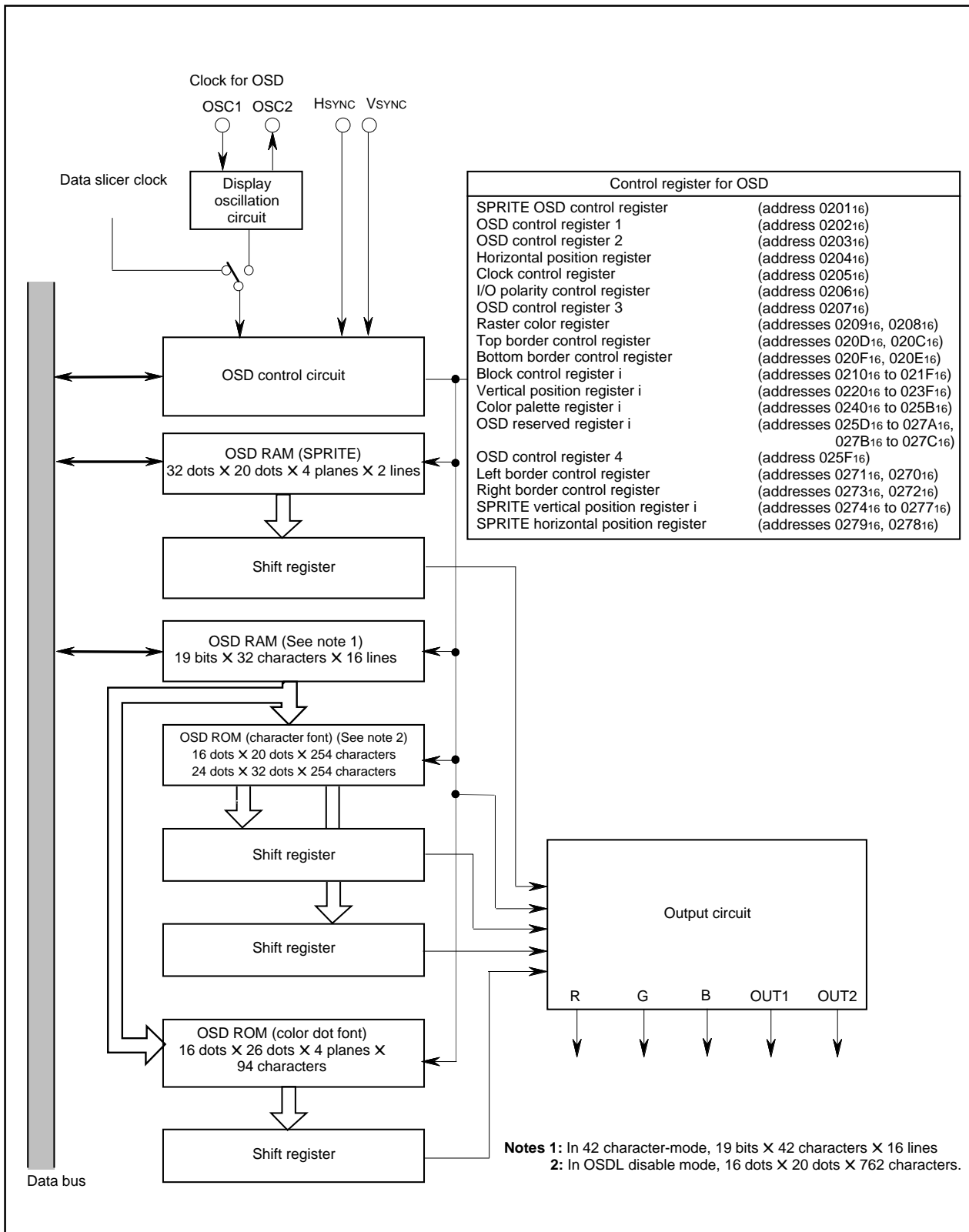


Figure 2.16.2 Block diagram of OSD circuit

M306V5ME-XXXSP
M306V5EESP

SINGLE-CHIP 16-BIT CMOS MICROCOMPUTER with CLOSED CAPTION DECODER
and ON-SCREEN DISPLAY CONTROLLER

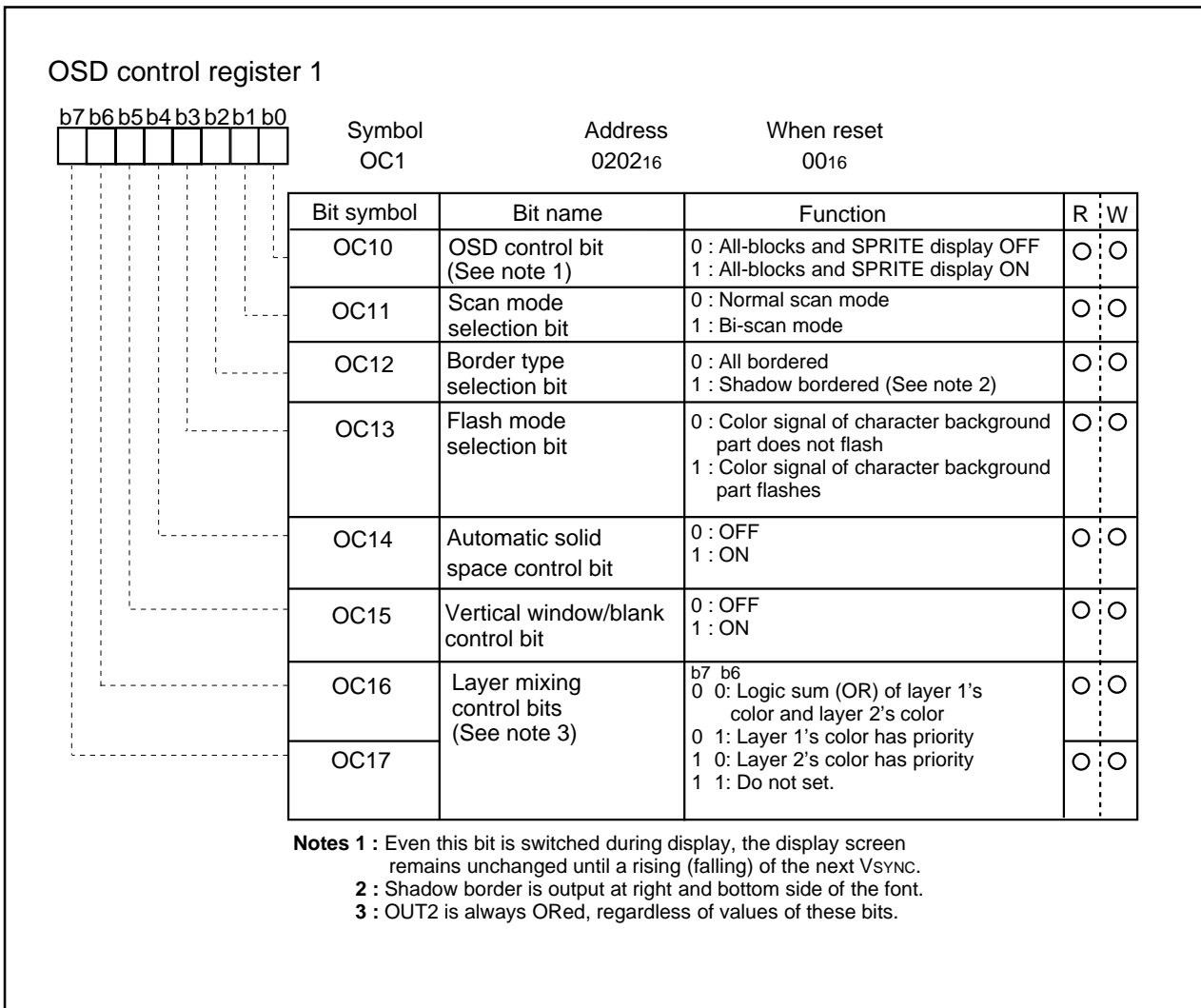


Figure 2.16.3 OSD control register 1

M306V5ME-XXXSP
M306V5EESP

SINGLE-CHIP 16-BIT CMOS MICROCOMPUTER with CLOSED CAPTION DECODER
and ON-SCREEN DISPLAY CONTROLLER

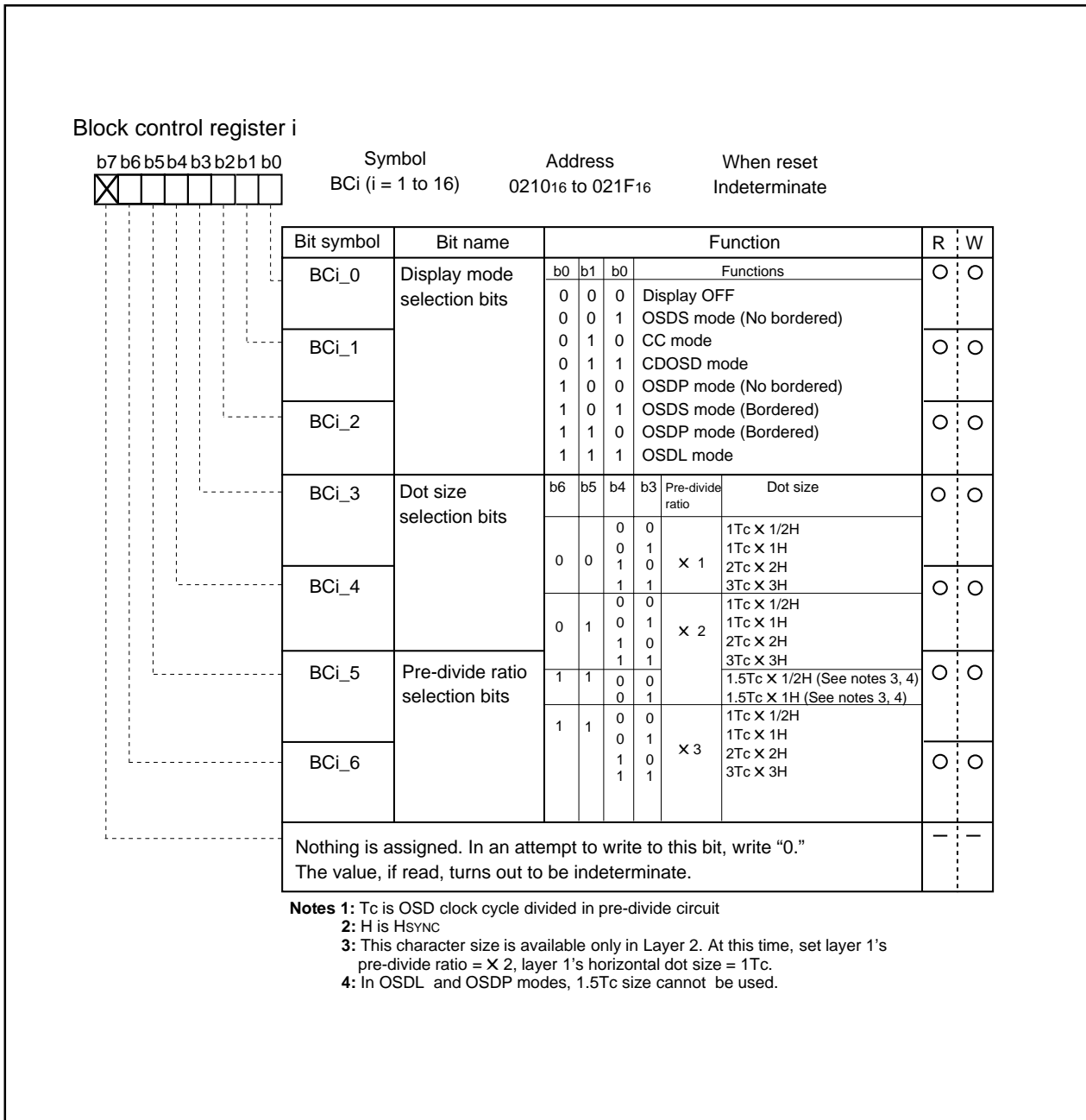


Figure 2.16.4 Block control register i (i = 0 to 16)

M306V5ME-XXXSP
M306V5EESP

SINGLE-CHIP 16-BIT CMOS MICROCOMPUTER with CLOSED CAPTION DECODER
and ON-SCREEN DISPLAY CONTROLLER

2.16.1 Triple Layer OSD

Three built-in layers of display screens accommodate triple display of channels, volume, etc., closed caption, and sprite displays within layers 1 to 3.

The layer to be displayed in each block is selected by bit 0 or 1 of the OSD control register 2 for each display mode (refer to Figure 2.16.7). Layer 3 always displays the sprite display.

When the layer 1 block and the layer 2 block overlay, the screen is composed with layer mixing by bit 6 or 7 of the OSD control register 1, as shown in Figure 2.16.5. Layer 3 always takes display priority of layers 1 and 2.

Notes 1: When mixing layer 1 and layer 2, note Table 2.16.2.

2: OSDP mode is always displayed on layer 1. And also, it cannot be overlapped with layer 2's block.

3: OUT2 is always ORed, regardless of values of bits 6, 7 of the OSD control register 1. And besides, even when OUT2 (layer 1 and layer 2) overlaps with SPRITE display (layer 3), OUT2 is output without masking.

Table 2.16.2 Mixing layer 1 and layer 2

Parameter \ Block	Block in Layer 1	Block in Layer 2	
Display mode	CC, OSDS/L, CDOSD mode	OSDS/L, CDOSD mode	
Pre-divide ratio	X 1, X 2 (CC mode) X 1 to X 3 (OSD, CDOSD mode)	Same as layer 1 (See note)	
Dot size	1Tc X 1/2H, 1Tc X 1H (CC mode)	Pre-divide ratio = X 1	Pre-divide ratio = X 2
		1Tc X 1/2H 1Tc X 1H	1TcX1/2H, 1.5TcX1/2H 1TcX1H, 1.5TcX1H(Seenote)
	1Tc X 1H, 1Tc X 1/2H, 2Tc X 2H, 3Tc X 3H (OSDS/L, CDOSD mode)	<ul style="list-style-type: none"> • Same size as layer 1 • 1.5Tc can be selected only when: layer 1's pre-divide ratio = X 2 AND layer 1's horizontal dot size = 1Tc. As this time, vertical dot size is the same as layer 1. 	
Horizontal display start position	Arbitrary	Same position as layer 1	
Vertical display start position	Arbitrary However, when dot size is 2Tc X 2H or 2Tc X 3H, set difference between vertical display position of layer 1 and that of layer 2 as follows. <ul style="list-style-type: none"> •2Tc X 2H: 2H units •3Tc X 3H: 3H units 		

Note: In the OSDL mode, 1.5Tc size cannot be used.

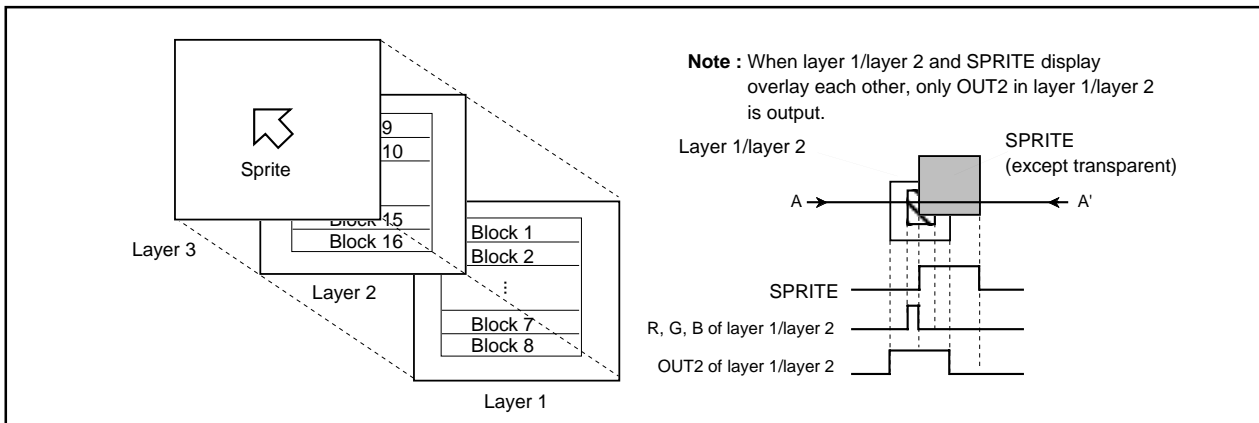


Fig 2.16.5 Triple layer OSD

M306V5ME-XXXSP
M306V5EESP

SINGLE-CHIP 16-BIT CMOS MICROCOMPUTER with CLOSED CAPTION DECODER
and ON-SCREEN DISPLAY CONTROLLER

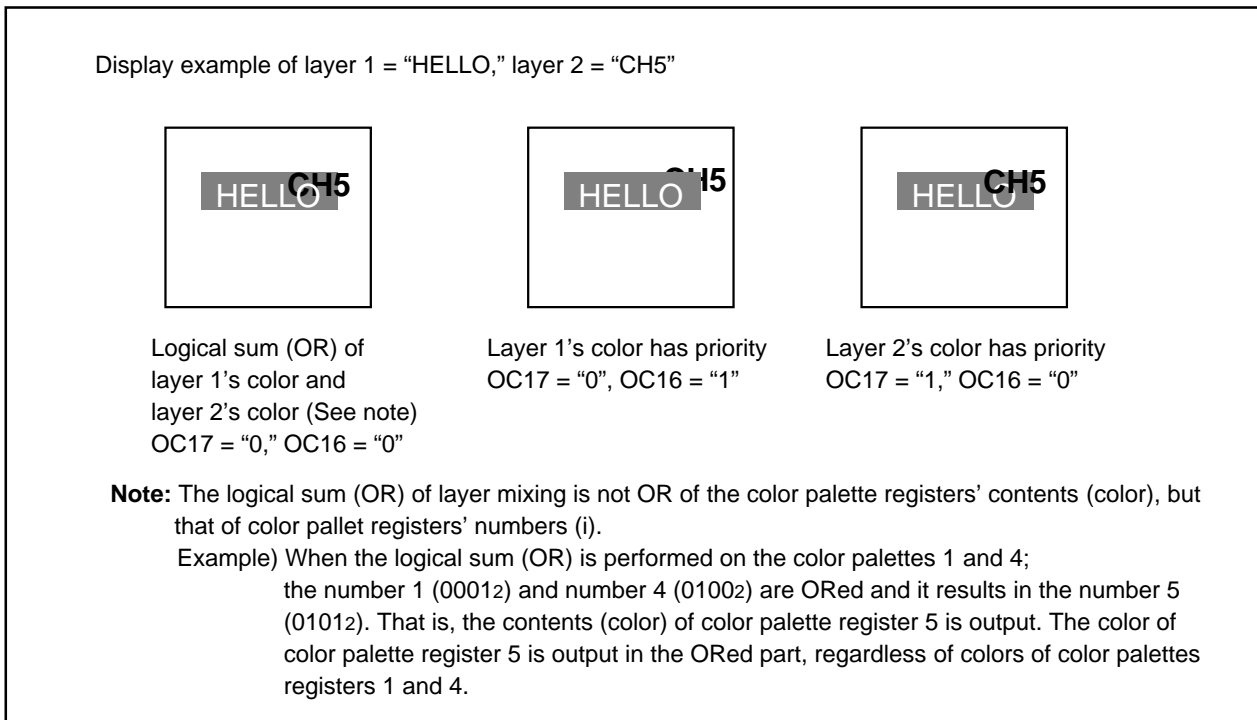


Figure 2.16.6 Display example of triple layer OSD

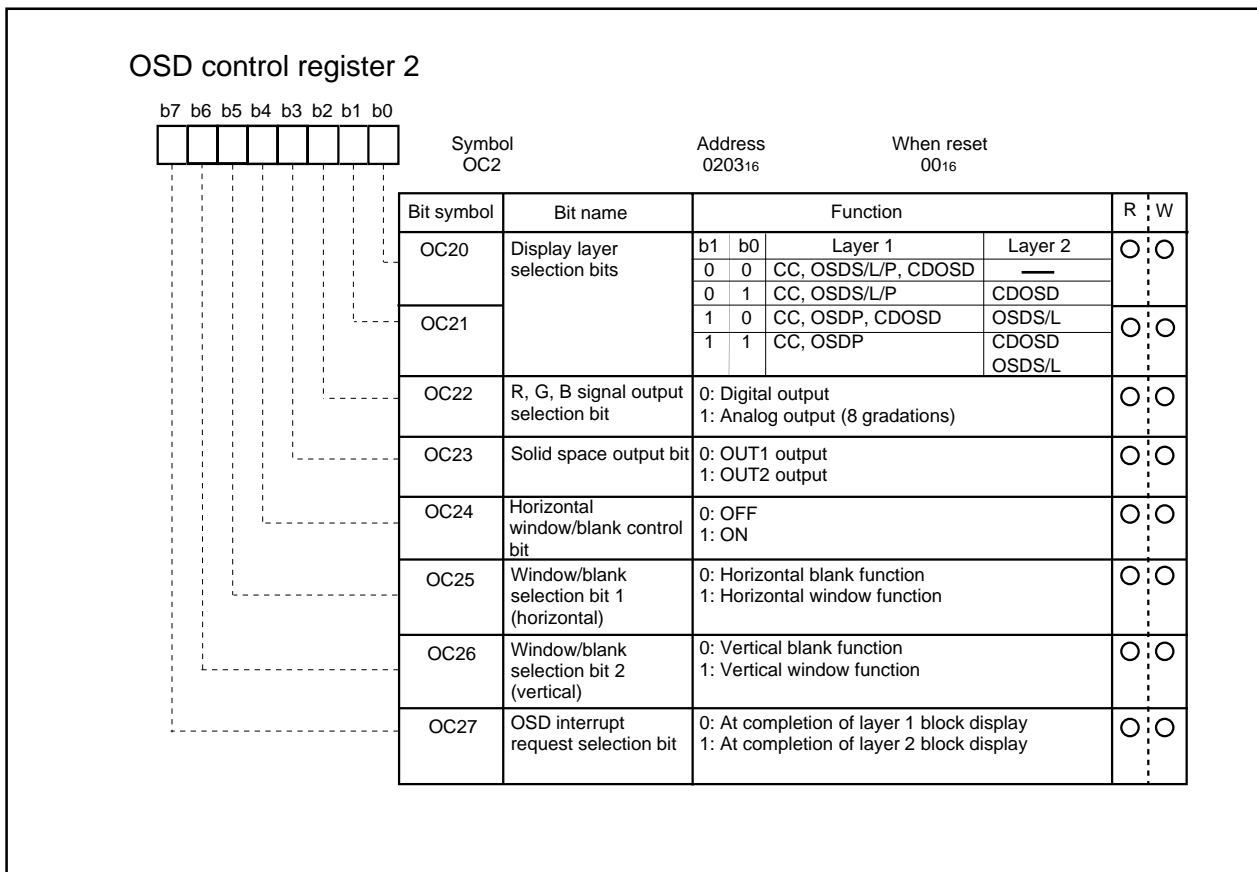


Figure 2.16.7 OSD control register 2

2.16.2 Display Position

The display positions of characters are specified by a block. There are 16 blocks, blocks 1 to 16. Up to 32 characters (32-character mode)/42 characters (42-character mode)/ can be displayed in each block (refer to 2.16.6 Memory for OSD).

The display position of each block can be set in both horizontal and vertical directions by software.

The display position in the horizontal direction can be selected for all blocks in common from 256-step display positions in units of 4 TOSC (TOSC = OSD oscillation cycle).

The display position in the vertical direction for each block can be selected from 1024-step display positions in units of 1 TH (TH = HSYNC cycle).

Blocks are displayed in conformance with the following rules:

- When the display position is overlapped with another block in the same layer (Figure 2.16.8 (b)), a lower block number (1 to 16) is displayed on the front.
- When another block display position appears while one block is displayed in the same layer (Figure 2.16.8 (c)), the block with a larger set value as the vertical display start position is displayed. However, do not display block with the dot size of 2Tc X 2H or 3Tc X 3H during display period (*) of another block.
 - * In the case of OSDSP mode block: 20 dots in vertical from the vertical display start position.
 - * In the case of OSDL mode block: 32 dots in vertical from the vertical display start position.
 - * In the case of CC or CDOSD mode block: 26 dots in vertical from the vertical display start position.

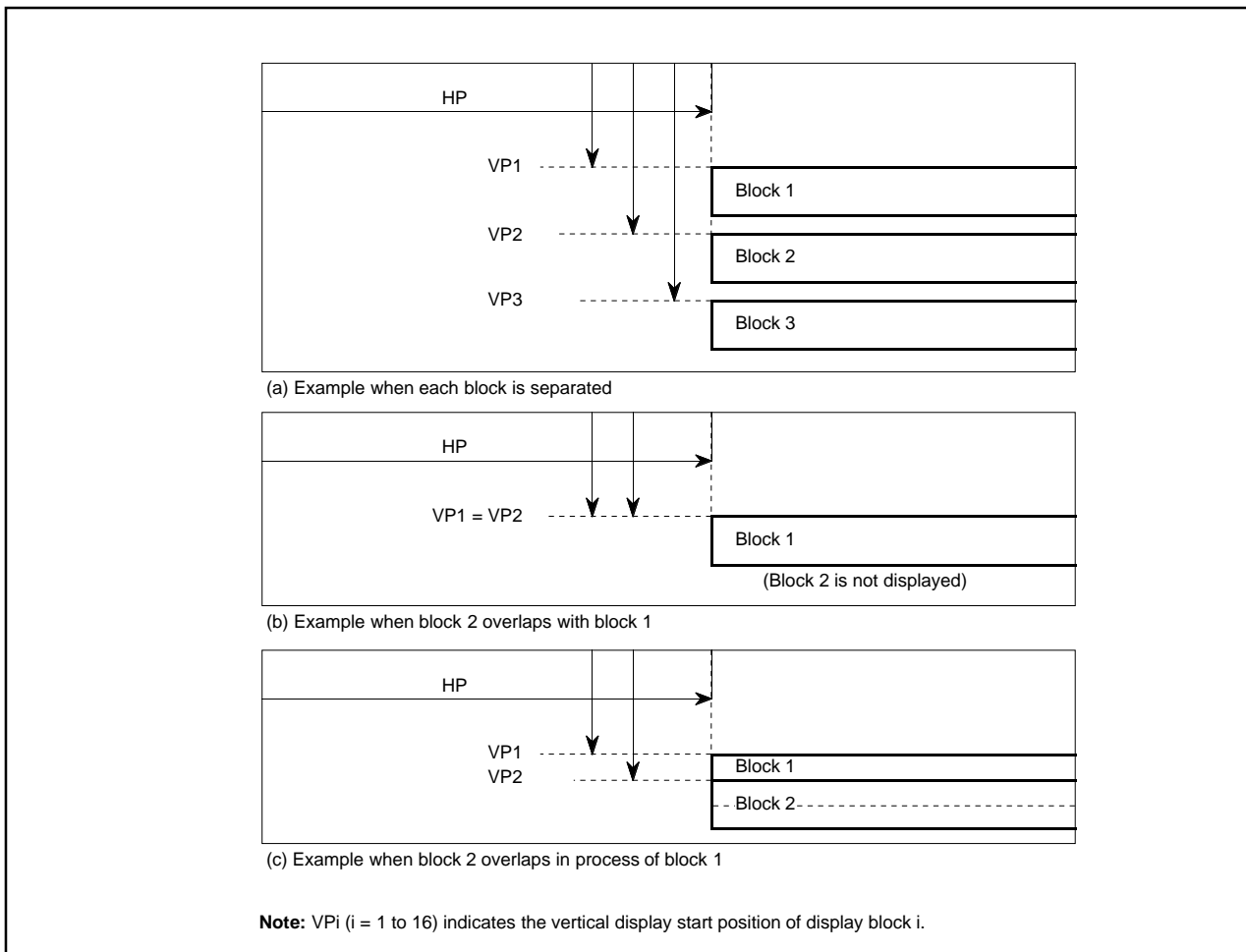


Figure 2.16.8 Display position

M306V5ME-XXXSP

M306V5EESP

SINGLE-CHIP 16-BIT CMOS MICROCOMPUTER with CLOSED CAPTION DECODER
and ON-SCREEN DISPLAY CONTROLLER

The display position in the vertical direction is determined by counting the horizontal sync signal (HSYNC). At this time, when VSYNC and HSYNC are positive polarity (negative polarity), it starts to count the rising edge (falling edge) of HSYNC signal from after fixed cycle of rising edge (falling edge) of VSYNC signal. So interval from rising edge (falling edge) of VSYNC signal to rising edge (falling edge) of HSYNC signal needs enough time ($2 \times \text{BCLK}$ cycles or more) for avoiding jitter. The polarity of HSYNC and VSYNC signals can select with the I/O polarity control register (address 020616).

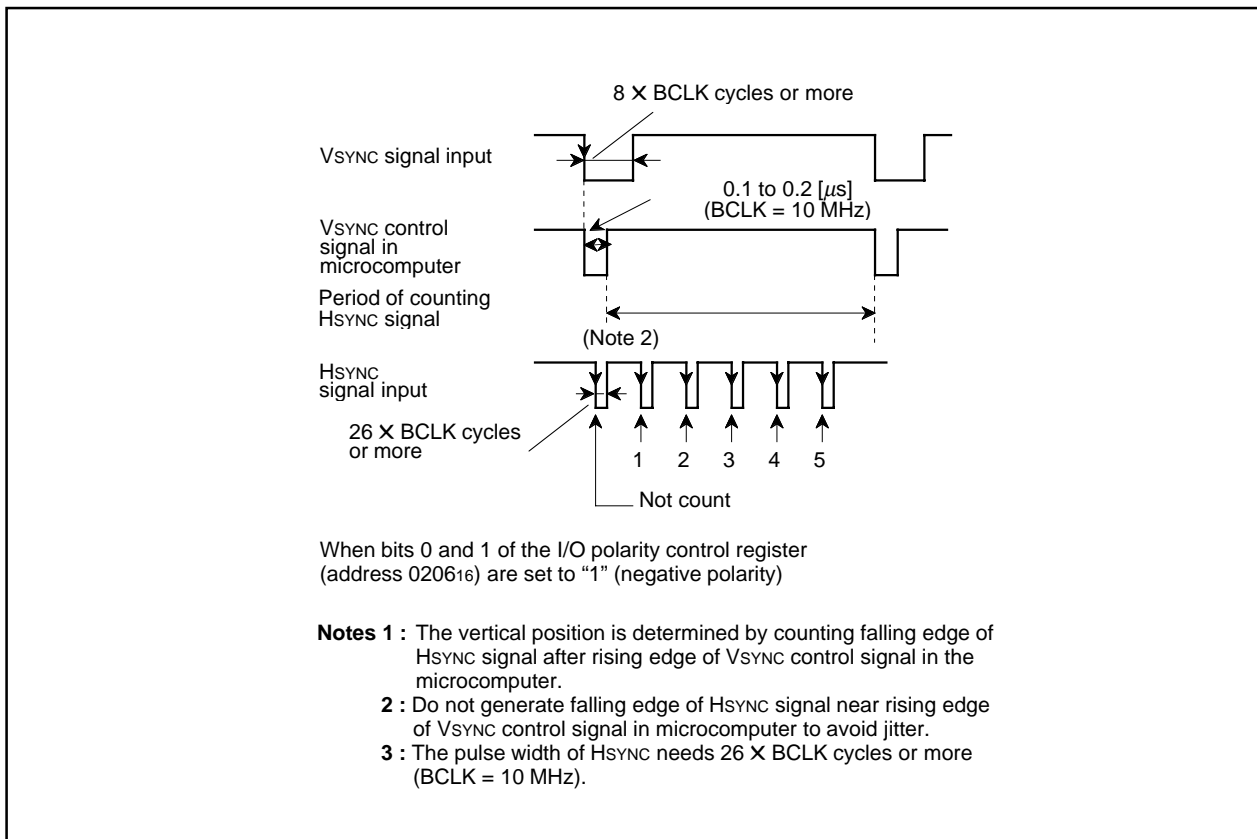


Figure 2.16.9 Supplement explanation for display position

M306V5ME-XXXSP
M306V5EESP

SINGLE-CHIP 16-BIT CMOS MICROCOMPUTER with CLOSED CAPTION DECODER
and ON-SCREEN DISPLAY CONTROLLER

The vertical position for each block can be set in 1024 steps (where each step is 1_{TH} (TH: Hsync cycle)) as values "002₁₆" to "3FF₁₆" in vertical position register i (i = 1 to 16) (addresses 0220₁₆ to 023F₁₆). The vertical position register i is shown in Figure 2.16.10.

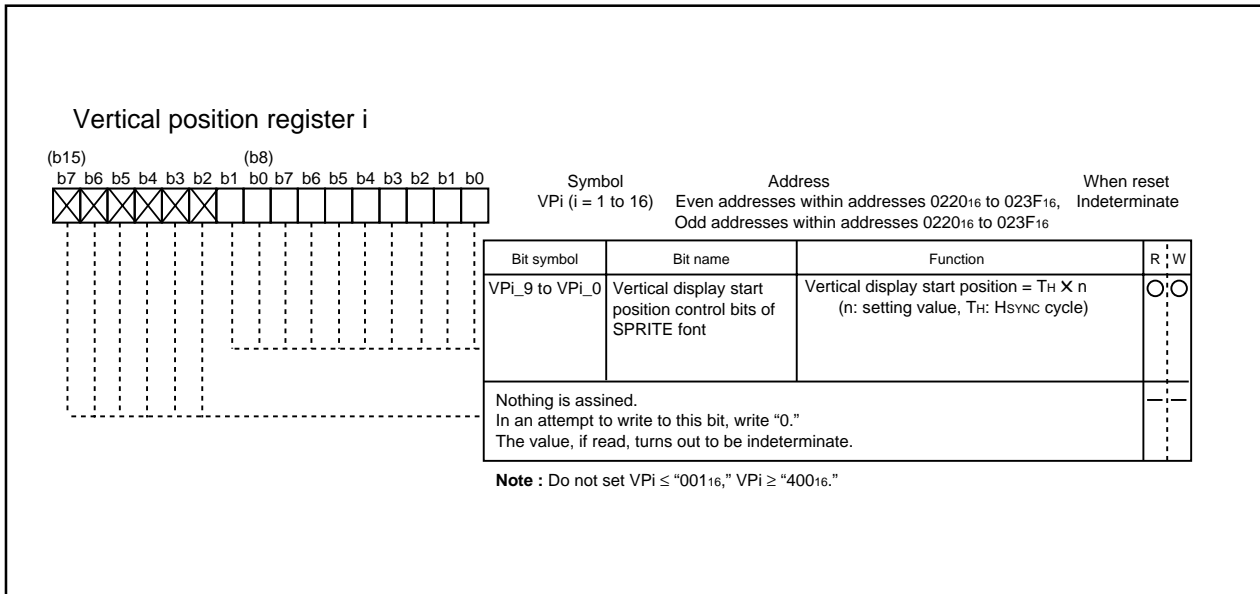


Figure 2.16.10 Vertical position register i (i = 1 to 16)

The horizontal position is common to all blocks, and can be set in 256 steps (where 1 step is 4_{Tosc}, _{Tosc} being OSD oscillation cycle) as values "00₁₆" to "FF₁₆" in bits 0 to 7 of the horizontal position register (address 0204₁₆). The horizontal position register is shown in Figure 2.16.11.

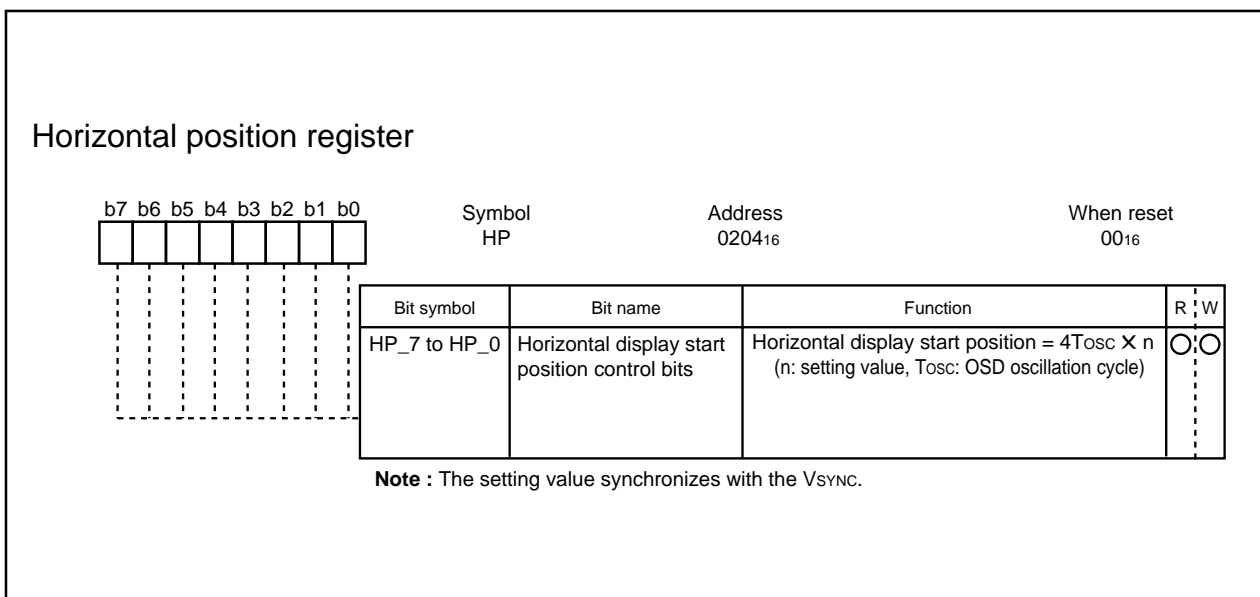


Figure 2.16.11 Horizontal position register

M306V5ME-XXXSP
M306V5EESP

SINGLE-CHIP 16-BIT CMOS MICROCOMPUTER with CLOSED CAPTION DECODER
and ON-SCREEN DISPLAY CONTROLLER

Note : $1T_c$ (T_c : OSD clock cycle divided in pre-divide circuit) gap occurs between the horizontal display start position set by the horizontal position register and the most left dot of the 1st block. Accordingly, when 2 blocks have different pre-divide ratios, their horizontal display start position will not match.

Ordinary, this gap is $1T_c$ regardless of character sizes, however, the gap is $1.5T_c$ only when the character size is $1.5T_c$.

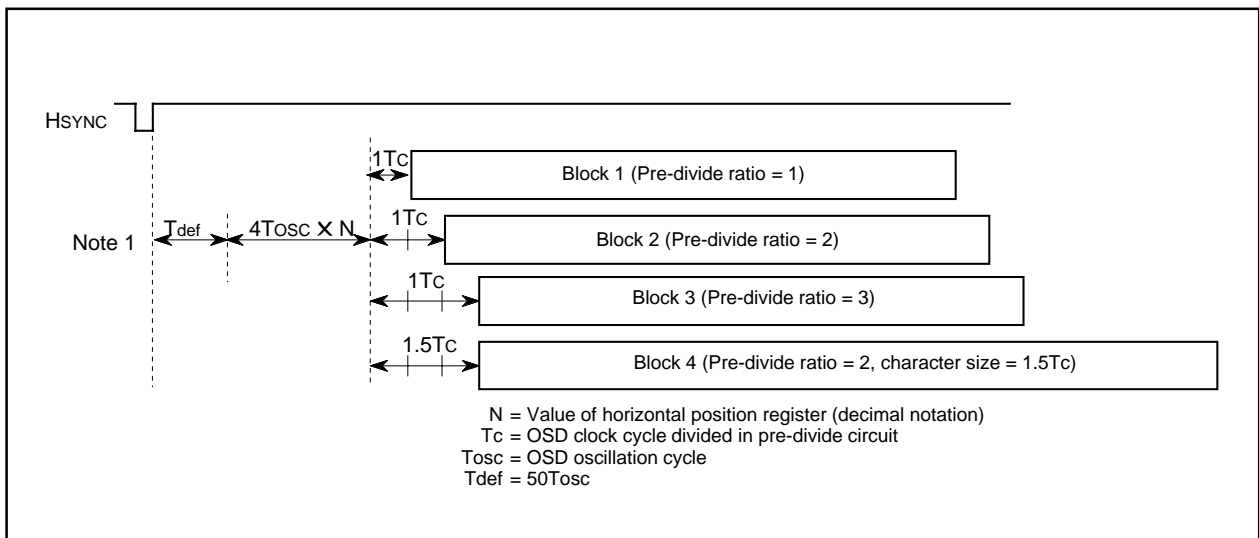


Figure 2.16.12 Notes on horizontal display start position

2.16.3 Dot Size

The dot size can be selected by a block unit. The dot size in vertical direction is determined by dividing HSYNC in the vertical dot size control circuit. The dot size in horizontal is determined by dividing the following clock in the horizontal dot size control circuit : the clock gained by dividing the OSD clock source (data slicer clock, OSC1, main clock) in the pre-divide circuit. The clock cycle divided in the pre-divide circuit is defined as 1Tc.

The dot size is specified by bits 3 to 6 of the block control register.

Refer to Figure 2.16.4 (the block control register i), refer to Figure 2.16.15 (the clock control register).

The block diagram of dot size control circuit is shown in Figure 2.16.13.

Notes 1 : The pre-divide ratio = 3 cannot be used in the CC mode.

2 : The pre-divide ratio of the layer 2 must be same as that of the layer 1 by the block control register i.

3 : In the bi-scan mode, the dot size in the vertical direction is 2 times as compared with the normal mode. Refer to “2.16.18 Scan Mode” about the scan mode.

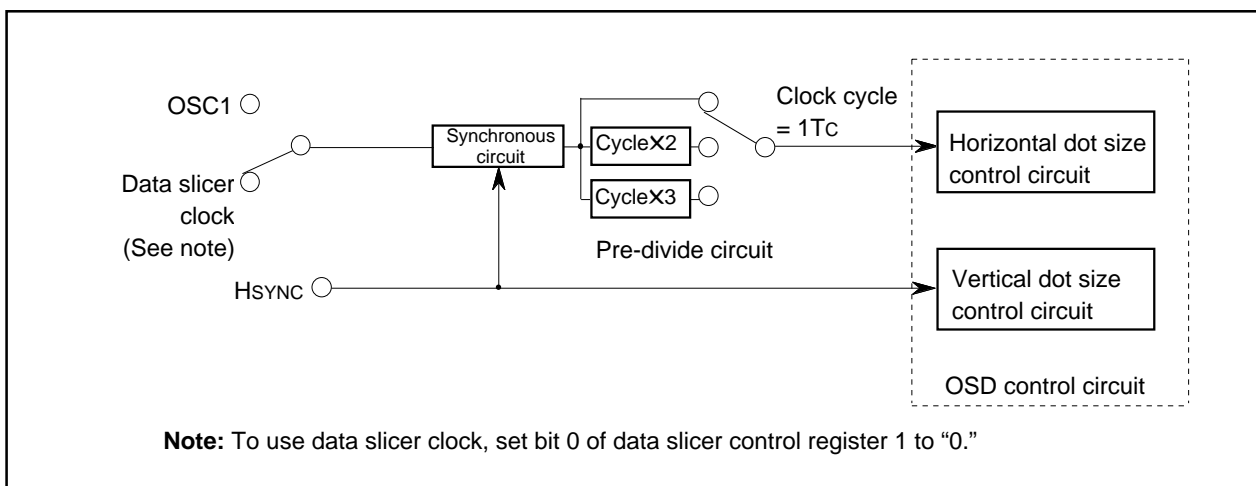


Figure 2.16.13 Block diagram of dot size control circuit

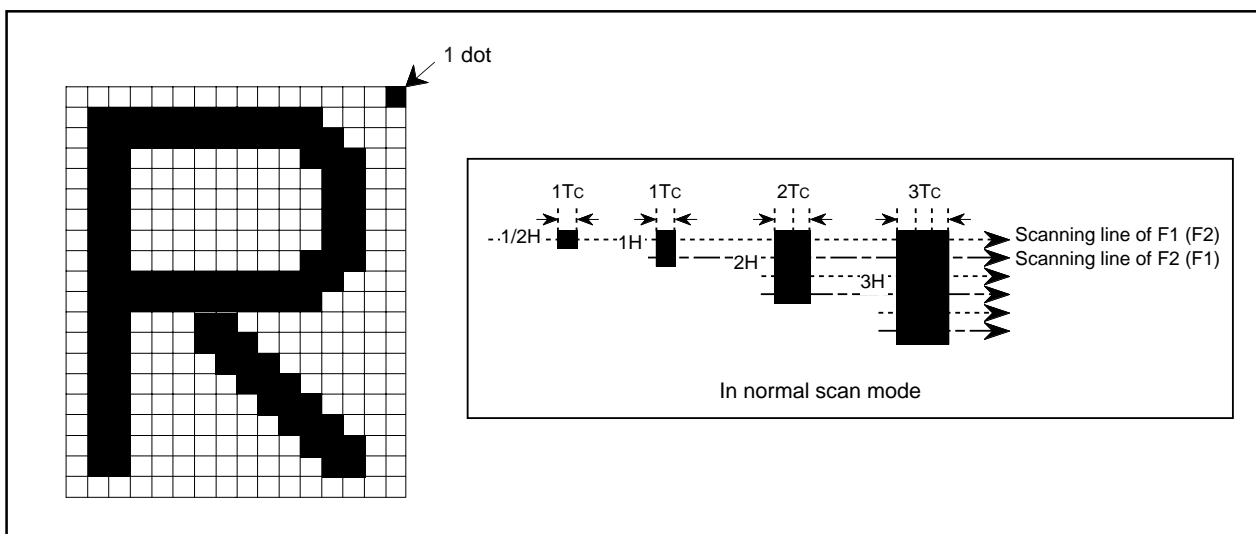


Figure 2.16.14 Definition of dot sizes

M306V5ME-XXXSP
M306V5EESP

SINGLE-CHIP 16-BIT CMOS MICROCOMPUTER with CLOSED CAPTION DECODER
and ON-SCREEN DISPLAY CONTROLLER

2.16.4 Clock for OSD

As a clock for display to be used for OSD, it is possible to select one of the following 3 types.

- Data slicer clock output from the data slicer (approximately 26 MHz)
- Clock from the LC oscillator supplied from the pins OSC1 and OSC2
- Clock from the ceramic resonator (or the quartz-crystal oscillator) from the pins OSC1 and OSC2

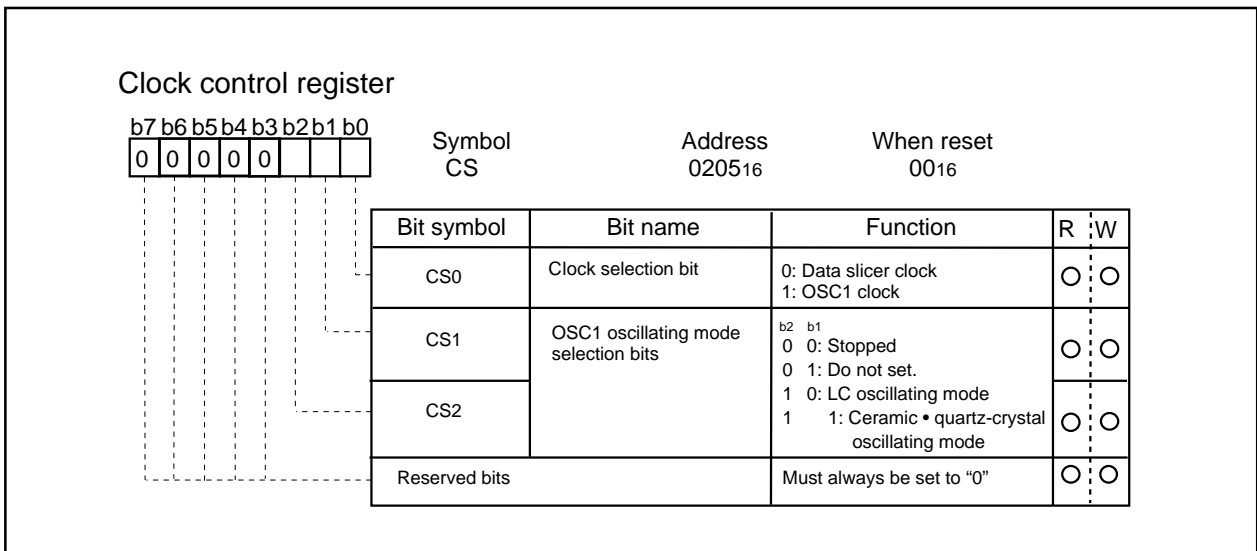


Figure 2.16.15 Clock control register

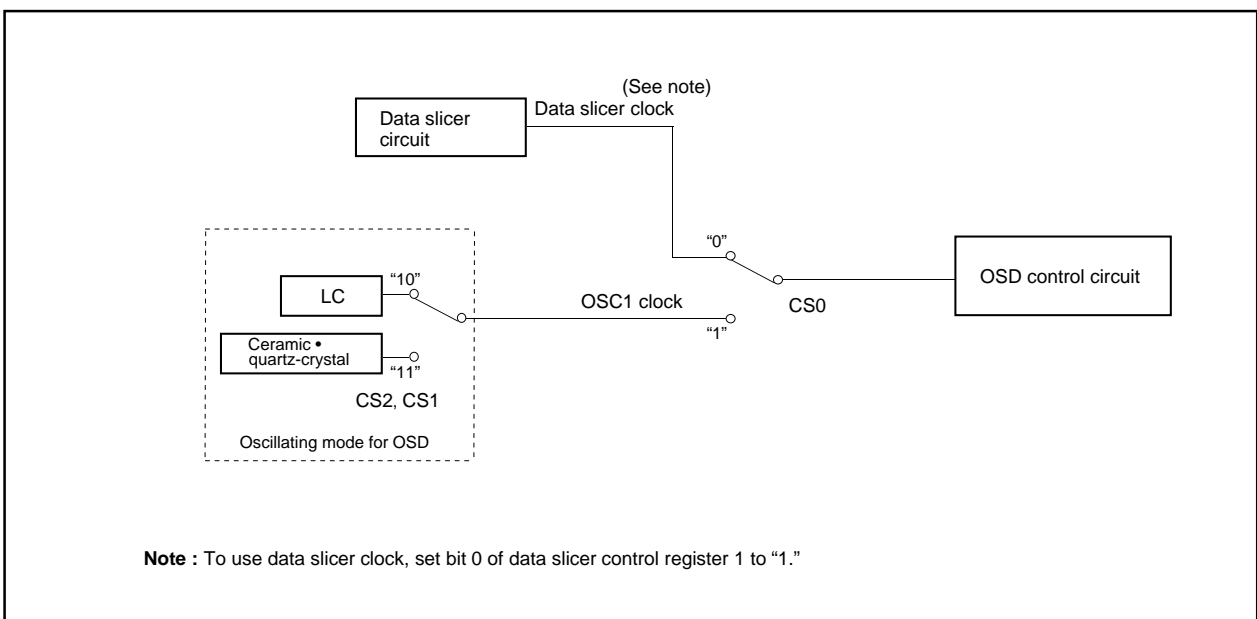


Figure 2.16.16 Block Diagram of OSD selection circuit

M306V5ME-XXXSP
M306V5EESP

SINGLE-CHIP 16-BIT CMOS MICROCOMPUTER with CLOSED CAPTION DECODER
and ON-SCREEN DISPLAY CONTROLLER

2.16.5 Field Determination Display

To display the block with vertical dot size of 1/2H, whether an even field or an odd field is determined through differences in a synchronizing signal waveform of interlacing system. The dot line 0 or 1 (refer to Figure 2.16.18) corresponding to the field is displayed alternately.

In the following, the field determination standard for the case where both the horizontal sync signal and the vertical sync signal are negative-polarity inputs will be explained. A field determination is determined by detecting the time from a falling edge of the horizontal sync signal until a falling edge of the VSYNC control signal (refer to Figure 2.16.9) in the microcomputer and then comparing this time with the time of the previous field. When the time is longer than the comparing time, it is regarded as even field. When the time is shorter, it is regarded as odd field.

The field determination flag changes at a rising edge of VSYNC control signal in the microcomputer .

The contents of this field can be read out by the field determination flag (bit 7 of the I/O polarity control register at address 0206₁₆). A dot line is specified by bit 6 of the I/O polarity control register (refer to Figure 2.16.18).

However, the field determination flag read out from the CPU is fixed to "0" at even field or "1" at odd field, regardless of bit 6.

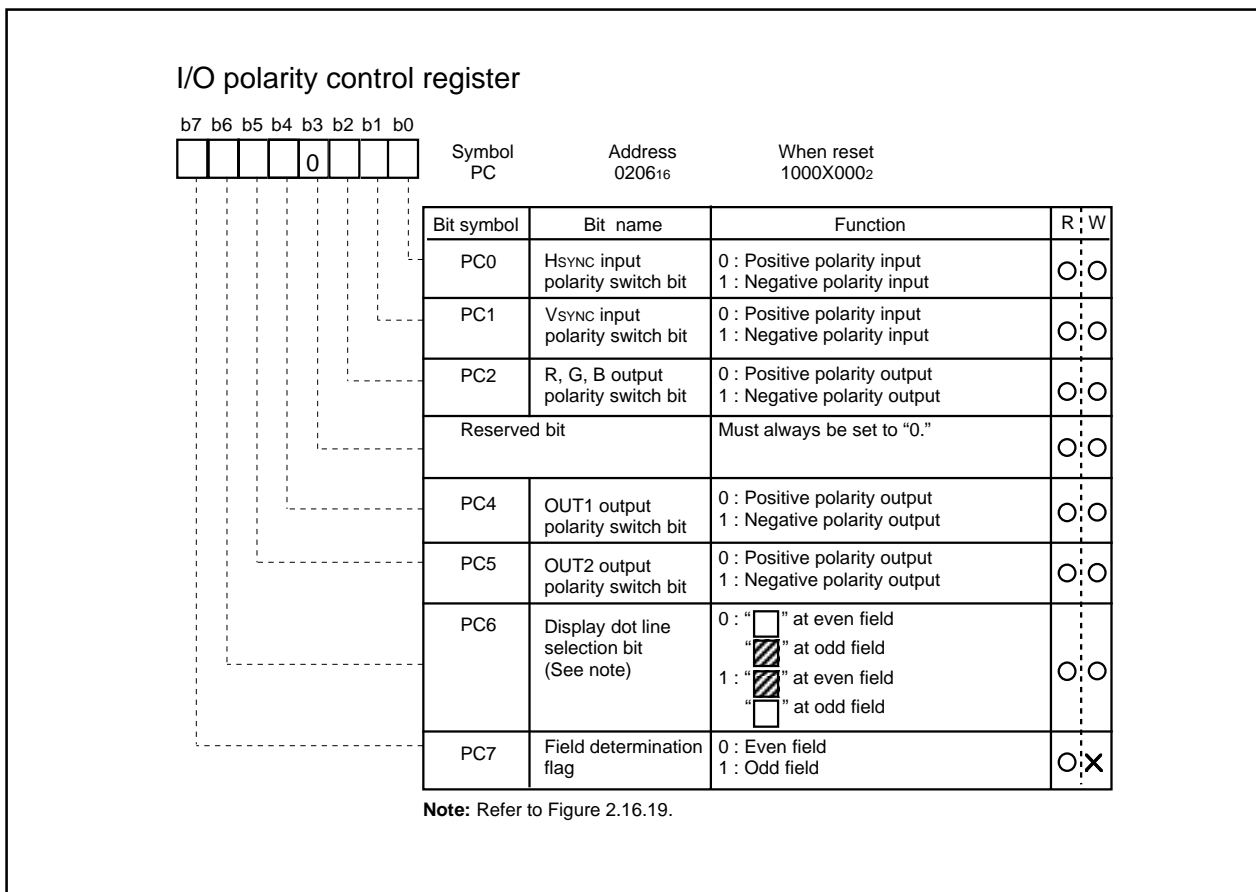


Figure 2.16.17 I/O polarity control register

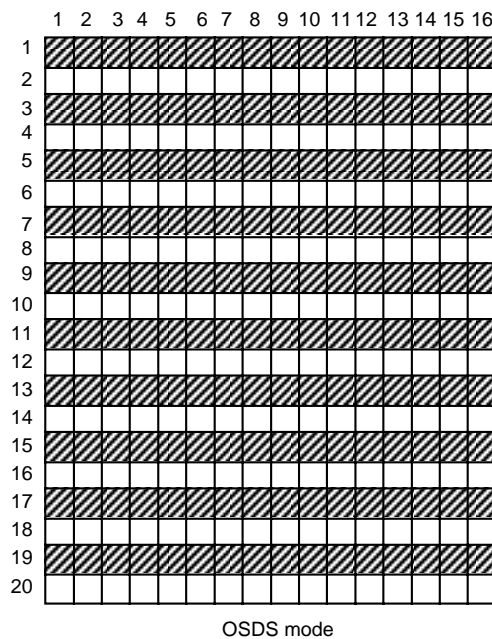
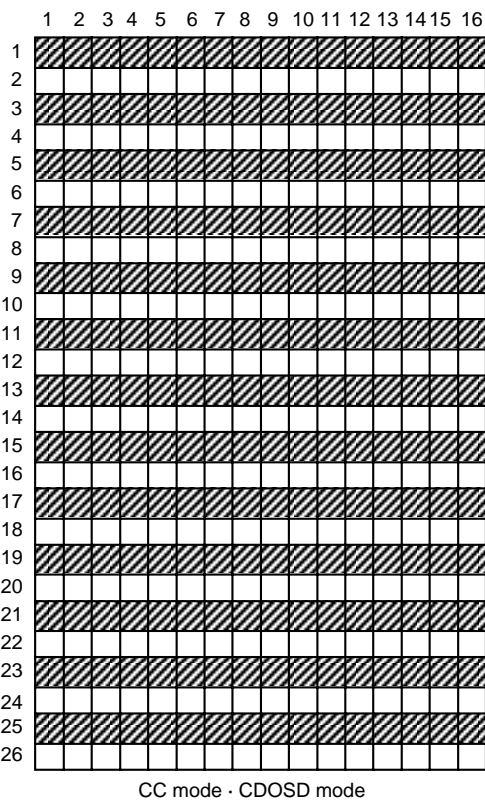
M306V5ME-XXXSP
M306V5EESP

SINGLE-CHIP 16-BIT CMOS MICROCOMPUTER with CLOSED CAPTION DECODER
and ON-SCREEN DISPLAY CONTROLLER

Both Hsync signal and Vsync signal are negative-polarity input

Hsync		Field	Field determination flag(Note)	Display dot line selection bit	Display dot line
Vsync and Vsync control signal in microcomputer	(n - 1) field (Odd-numbered)	Odd	/	/	/
	Upper : Vsync signal	Even	0 (T2 > T1)	0	Dot line 1 <input type="checkbox"/>
	Lower : Vsync control signal in microcomputer	Odd	1 (T3 < T2)	1	Dot line 0 <input checked="" type="checkbox"/>

When using the field determination flag, set bit 7 of the peripheral mode register (address 027D16) according to the main clock frequency.



When the display dot line selection bit is "0," the "□" font is displayed at even field, the "▨" font is displayed at odd field. Bit 7 of the I/O polarity control register can be read as the field determination flag : "1" is read at odd field, "0" is read at even field.

OSD ROM font configuration diagram

Note : The field determination flag changes at a rising edge of the Vsync control signal (negative-polarity input) in the microcomputer.

Figure 2.16.18 Relation between field determination flag and display font

M306V5ME-XXXSP
M306V5EESP

SINGLE-CHIP 16-BIT CMOS MICROCOMPUTER with CLOSED CAPTION DECODER
and ON-SCREEN DISPLAY CONTROLLER

2.16.6 Memory for OSD

There are 2 types of memory for OSD : OSD ROM (addresses 90000₁₆ to AFFFF₁₆) used to store character dot data and OSD RAM (addresses 0400₁₆ to 13FF₁₆) used to specify the kinds of display characters, display colors, and SPRITE display. The following describes each type of memory.

(1) ROM for OSD (addresses 90000₁₆ to AFFFF₁₆)

The dot pattern data for OSD characters is stored in the character font area in the OSD ROM and the CD font data for OSD characters is stored in the color dot font area in the OSD ROM. To specify the kinds of the character font and the CD font, it is necessary to write the character code into the OSD RAM.

For character font, there are the following 2 mode.

- OSDL enable mode
16 X 20-dot font and 24 X 32-dot font
- OSDL disable mode
16 X 20-dot font

The modes are selected by bit 3 of the OSD control register 3 for each screen.

The character font data storing address for OSDL enable/OSDL disable mode are shown in Figures 2.16.20 and 2.16.21. The conditions for each OSDL enable/disable mode are shown in Figure 2.16.22. The CD font data storing address is shown in Figure 2.16.23.

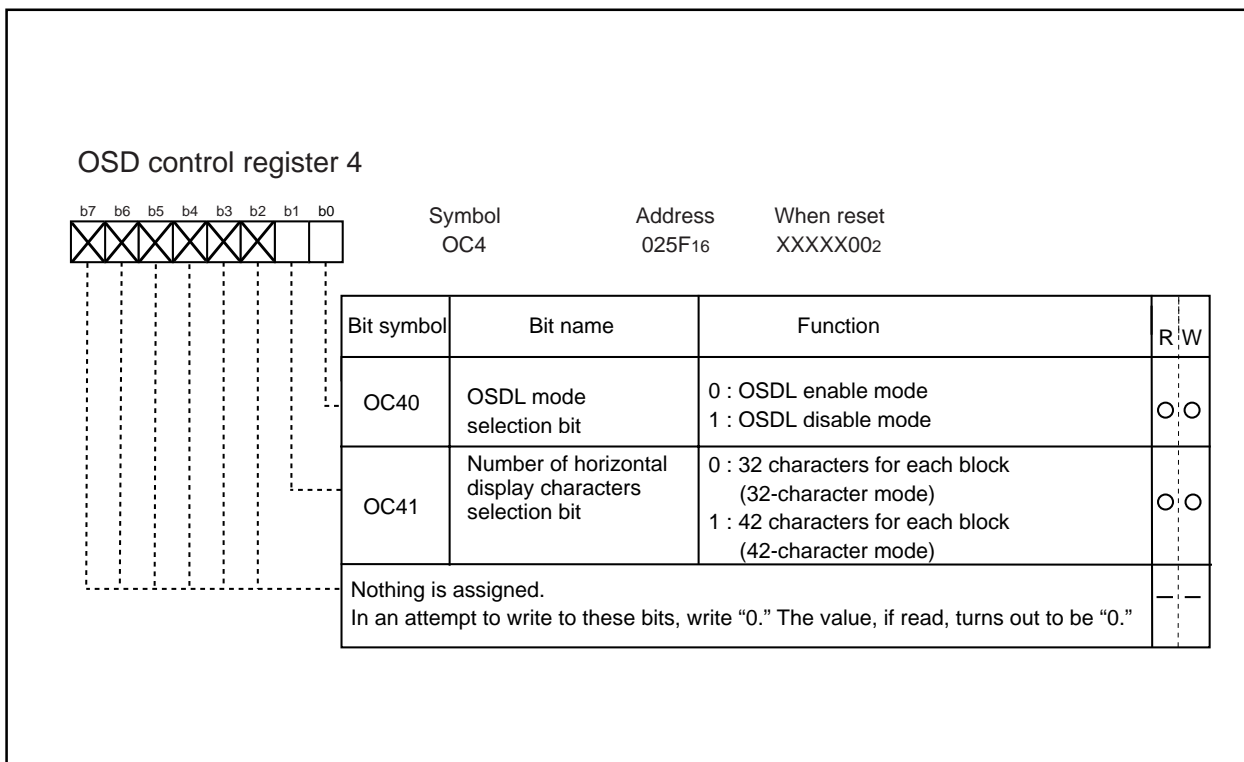


Figure 2.16.19 OSD control register 4

M306V5ME-XXXSP
M306V5EESP

SINGLE-CHIP 16-BIT CMOS MICROCOMPUTER with CLOSED CAPTION DECODER
and ON-SCREEN DISPLAY CONTROLLER

OSD ROM address of character font data (OSDL enable mode)

OSD ROM address bit		AD16	AD15	AD14	AD13	AD12	AD11	AD10	AD9	AD8	AD7	AD6	AD5	AD4	AD3	AD2	AD1	AD0
Kinds of font		Structure of address pointer																
	Font (1) Character codes 000 ₁₆ to 0FF ₁₆	0	Line number (1) (MSB to LSB)					Character code (C8)=0	Character code (C7 to C0)							0	Area bit	
Font (2) Character codes 100 ₁₆ to 1FF ₁₆	Area 0, 1	0	Line number (2) (MSB to LSB)					Character code (C8)=1	Character code (C7 to C0)							0	Area bit	
	Area 2	1	Line number (2) (MSB to LSB)					0	0	Character code (C6 to C0)							0	Character code (C7)

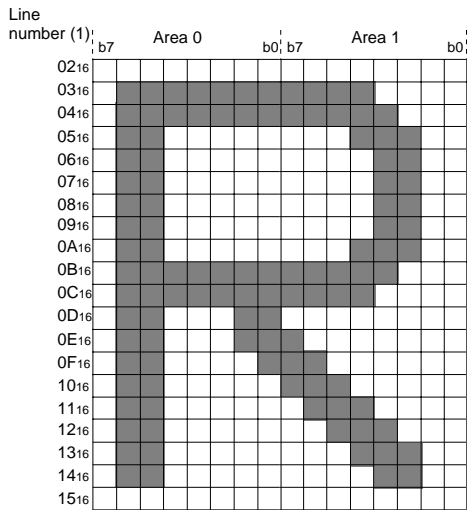
Line number (1) = "02₁₆" to "15₁₆"

Line number (2) = "00₁₆" to "1F₁₆"

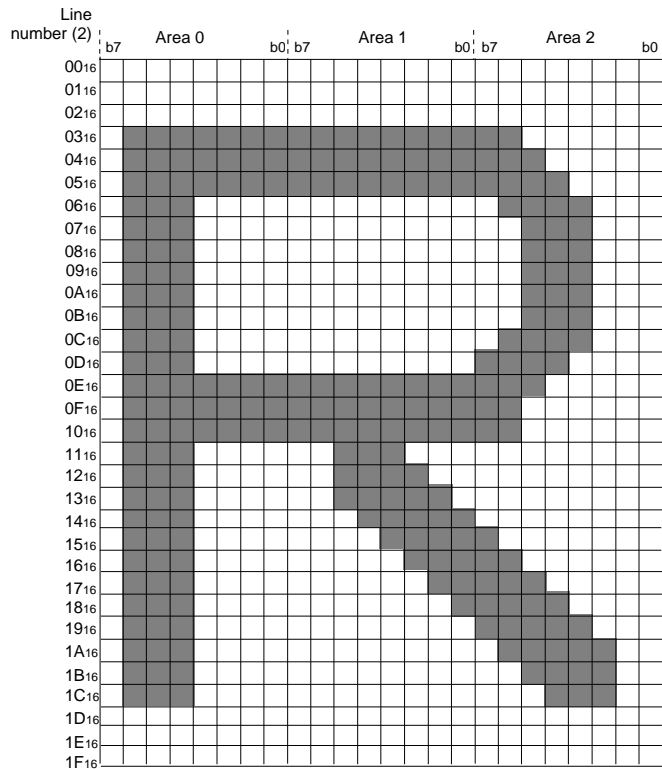
Character code = "000₁₆" to "1FF₁₆" ("0FE₁₆," "0FF₁₆," "100₁₆" and "180₁₆" cannot be used. Write "FF₁₆" to corresponding addresses.)

Area bit = 0: Area 0

1: Area 1



Font (1)
(Character codes 000₁₆ to 0FF₁₆)



Font (2)
(Character codes 100₁₆ to 1FF₁₆)

Figure 2.16.20 Character font data storing address (OSDL enable mode)

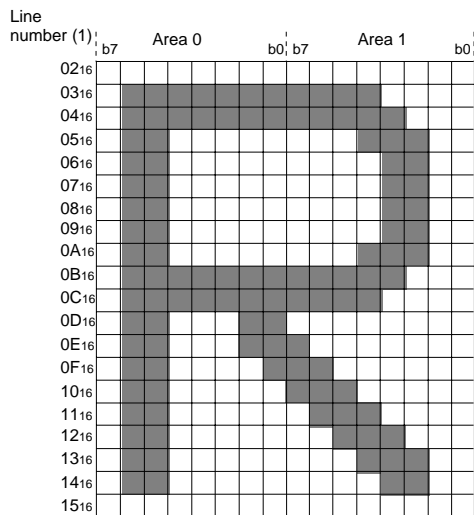
M306V5ME-XXXSP
M306V5EESP

SINGLE-CHIP 16-BIT CMOS MICROCOMPUTER with CLOSED CAPTION DECODER
and ON-SCREEN DISPLAY CONTROLLER

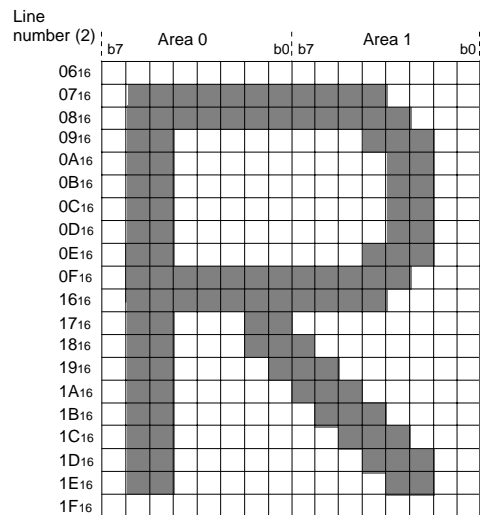
OSD ROM address of character font data (OSDL disable mode)

OSD ROM address bit		AD16	AD15	AD14	AD13	AD12	AD11	AD10	AD9	AD8	AD7	AD6	AD5	AD4	AD3	AD2	AD1	AD0
		Structure of address pointer																
Kinds of font	Font (1) Character codes 000 ₁₆ to 1FF ₁₆	Character code (C9)=0	Line number (1) (MSB to LSB)					Character code (C8 to C0)					0	Area bit				
	Font (2) Character codes 200 ₁₆ to 27F ₁₆	Character code (C9)=1	Line number (1) (MSB to LSB)					Character code (C8 to C0)					0	Area bit				
	Font (3) Character codes 280 ₁₆ to 2FF ₁₆	0	1	Line number (3) (NL3 to NL0)			1	Line number (3) (NL4)	Character code (C6 to C0)					0	Area bit			

Line number (1) = "02₁₆" to "15₁₆"
 Line number (3) = "06₁₆" to "0F₁₆" and "16₁₆" to "1F₁₆"
 Character code = "000₁₆" to "2FF₁₆" ("0FE₁₆," "0FF₁₆," "100₁₆," "180₁₆," "200₁₆" and "280₁₆" cannot be used. Write "FF₁₆" to corresponding addresses.)
 Area bit = 0: Area 0
 1: Area 1



Font (1)
Font (2)
(Character codes 000₁₆ to 27F₁₆)



Font (3)
(Character codes 280₁₆ to 2FF₁₆)

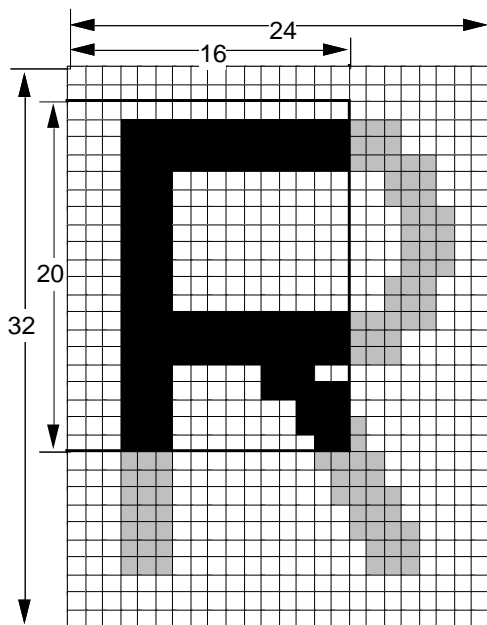
Figure 2.16.21 Character font data storing address (OSDL disable mode)

M306V5ME-XXXSP
M306V5EESP

SINGLE-CHIP 16-BIT CMOS MICROCOMPUTER with CLOSED CAPTION DECODER
and ON-SCREEN DISPLAY CONTROLLER

Depending on the relationship of OSDL enable/disable mode, display mode and character code, note the conditions below.

OSDL enable/ disable mode Display mode & character code		OSDL enable mode (Bit 0 of OSD control register 4 = "0")				OSDL disable mode (Bit 0 of OSD control register 4 = "1")			
		Character size	CC	OSDS/P	OSDL	Character size	CC	OSDS/P	OSDL
Specified character code	000 ₁₆ to 0FF ₁₆	S	Used	Used	Not used (See note 3)	S	Used	Used	Display OFF
	100 ₁₆ to 1FF ₁₆	L	Used (See note 1)	Used (See note 1)	Used	S	Used	Used	Display OFF
	200 ₁₆ to 27F ₁₆		Not used (See note 3)			S		Used	Display OFF
	280 ₁₆ to 2FF ₁₆					Not used (See note 3)	Used (No border) (See note 2)	Display OFF	
	300 ₁₆ to 3FF ₁₆					Not used	Display OFF		



Notes 1: Part of 24 X 32 font is displayed.

2: In OSDL disable mode, character codes "280₁₆" to "2FF₁₆" are used in OSDS/P mode (no border).

3: As setting this make output of font data indeterminate, do not use. However, "3FE₁₆" and "3FF₁₆" can be used as character codes of blank font output in OSDP mode.

Figure 2.16.22 Conditions for each OSDL enable/disable mode

M306V5ME-XXXSP
M306V5EESP

SINGLE-CHIP 16-BIT CMOS MICROCOMPUTER with CLOSED CAPTION DECODER
and ON-SCREEN DISPLAY CONTROLLER

(2) OSD RAM (OSD RAM for character, addresses 0400₁₆ to 0EFF₁₆)

The OSD RAM for character is allocated at addresses 0400₁₆ to 0EFF₁₆, and is divided into a display character code specification part, color code 1 specification part, and color code 2 specification part for each block. The number of characters for 1 block (32- or 42-character mode) is selected by bit 1 of the OSD control register 4. Tables 2.16.3 to 2.16.7 show the address map.

For example, to display 1 character position (the left edge) in block 1, write the character code in address 0400₁₆, write color code 1 at 0401₁₆, and write color code 2 at 0480₁₆. The structure of the OSD RAM is shown in Figure 2.16.25.

Note : For blocks of the following dot sizes, the 3rd (n = 1 to 14) character is skipped as compared with ordinary block.

■ In OSDL mode: all dot size.

■ In OSDS and CDOSD modes of layer 2: 1.5Tc X 1/2H or 1.5Tc X 1H

Accordingly, maximum 22 characters (32-character mode)/28 characters (42-character mode) are only displayed in 1 block. Blocks with dot size of 1Tc X 1/2H and 1Tc X 1H, or blocks on the layer 1. The RAM data for the 3rd character does not effect the display. Any character data can be stored here. And also, note the following only in 32-character mode. As the character is displayed in the 28th's character area in 42-character mode, set ordinarily.

- In OSDS mode

The character is not displayed, and only the left 1/3 part of the 22nd character background is displayed in the 22nd's character area. When not displaying this background, set transparent for character background color.

- In OSDL mode

Set a blank character or a character of transparent color to the 22nd character.

- In CDOSD mode

The character is not displayed, and color palette color specified by bits 3 to 6 of color code 1 can be output in the 22nd's character area (left 1/3 part).

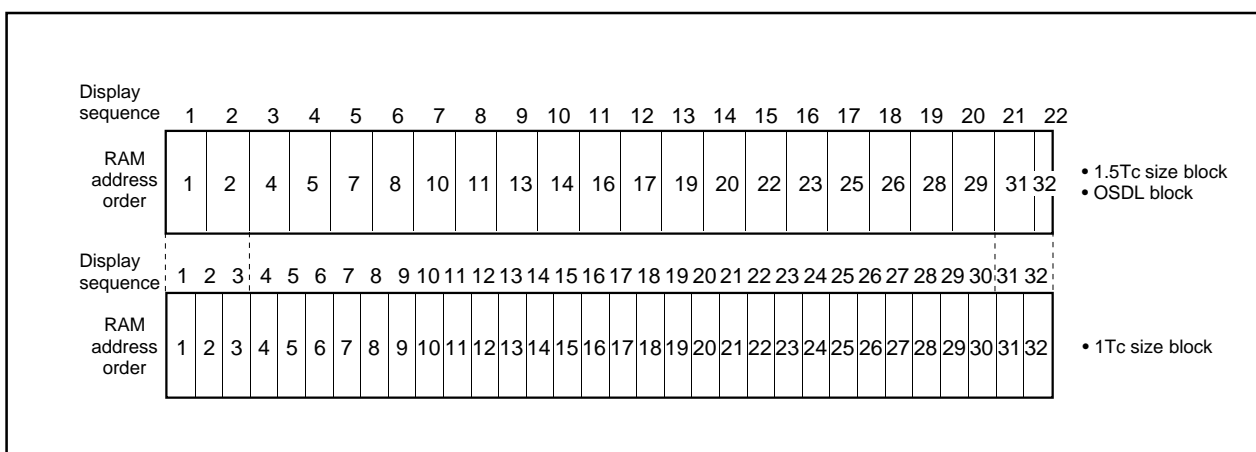


Figure 2.16.24 RAM data for 3rd character (in 32-character mode)

M306V5ME-XXXSP

M306V5EESP

SINGLE-CHIP 16-BIT CMOS MICROCOMPUTER with CLOSED CAPTION DECODER
and ON-SCREEN DISPLAY CONTROLLER

Table 2.16.3 Contents of OSD RAM (1st to 32nd character)

Block	Display Position (from left)	Character Code Specification	Color Code 1 Specification	Color Code 2 Specification
Block 1	1st character	0400 ₁₆	0401 ₁₆	0480 ₁₆
	2nd character	0402 ₁₆	0403 ₁₆	0482 ₁₆
	⋮	⋮	⋮	⋮
	32nd character	043E ₁₆	043F ₁₆	04BE ₁₆
Block 2	1st character	0440 ₁₆	0441 ₁₆	04C0 ₁₆
	2nd character	0442 ₁₆	0443 ₁₆	04C2 ₁₆
	⋮	⋮	⋮	⋮
	32nd character	047E ₁₆	047F ₁₆	04FE ₁₆
Block 3	1st character	0500 ₁₆	0501 ₁₆	0580 ₁₆
	2nd character	0502 ₁₆	0503 ₁₆	0582 ₁₆
	⋮	⋮	⋮	⋮
	32nd character	053E ₁₆	053F ₁₆	05BE ₁₆
Block 4	1st character	0540 ₁₆	0541 ₁₆	05C0 ₁₆
	2nd character	0542 ₁₆	0543 ₁₆	05C2 ₁₆
	⋮	⋮	⋮	⋮
	32nd character	057E ₁₆	057F ₁₆	05FE ₁₆
Block 5	1st character	0600 ₁₆	0601 ₁₆	0680 ₁₆
	2nd character	0602 ₁₆	0603 ₁₆	0682 ₁₆
	⋮	⋮	⋮	⋮
	32nd character	063E ₁₆	063F ₁₆	06BE ₁₆
Block 6	1st character	0640 ₁₆	0641 ₁₆	06C0 ₁₆
	2nd character	0642 ₁₆	0643 ₁₆	06C2 ₁₆
	⋮	⋮	⋮	⋮
	32nd character	067E ₁₆	067F ₁₆	06FE ₁₆
Block 7	1st character	0700 ₁₆	0701 ₁₆	0780 ₁₆
	2nd character	0702 ₁₆	0703 ₁₆	0782 ₁₆
	⋮	⋮	⋮	⋮
	32nd character	073E ₁₆	073F ₁₆	07BE ₁₆
Block 8	1st character	0740 ₁₆	0741 ₁₆	07C0 ₁₆
	2nd character	0742 ₁₆	0743 ₁₆	07C2 ₁₆
	⋮	⋮	⋮	⋮
	32nd character	077E ₁₆	077F ₁₆	07FE ₁₆
Block 9	1st character	0800 ₁₆	0801 ₁₆	0880 ₁₆
	2nd character	0802 ₁₆	0803 ₁₆	0882 ₁₆
	⋮	⋮	⋮	⋮
	32nd character	083E ₁₆	083F ₁₆	08BE ₁₆
Block 10	1st character	0840 ₁₆	0841 ₁₆	08C0 ₁₆
	2nd character	0842 ₁₆	0843 ₁₆	08C2 ₁₆
	⋮	⋮	⋮	⋮
	32nd character	087E ₁₆	087F ₁₆	08FE ₁₆

M306V5ME-XXXSP

M306V5EESP

SINGLE-CHIP 16-BIT CMOS MICROCOMPUTER with CLOSED CAPTION DECODER
and ON-SCREEN DISPLAY CONTROLLER

Table 2.16.4 Contents of OSD RAM (1st to 32nd character) (continued)

Block	Display Position (from left)	Character Code Specification	Color Code 1 Specification	Color Code 2 Specification
Block 11	1st character	0900 ₁₆	0901 ₁₆	0980 ₁₆
	2nd character	0902 ₁₆	0903 ₁₆	0982 ₁₆
	⋮	⋮	⋮	⋮
	31st character	093C ₁₆	093D ₁₆	09BC ₁₆
	32nd character	093E ₁₆	093F ₁₆	09BE ₁₆
Block 12	1st character	0940 ₁₆	0941 ₁₆	09C0 ₁₆
	2nd character	0942 ₁₆	0943 ₁₆	09C2 ₁₆
	⋮	⋮	⋮	⋮
	31st character	097C ₁₆	097D ₁₆	09FC ₁₆
	32nd character	097E ₁₆	097F ₁₆	09FE ₁₆
Block 13	1st character	0A00 ₁₆	0A01 ₁₆	0A80 ₁₆
	2nd character	0A02 ₁₆	0A03 ₁₆	0A82 ₁₆
	⋮	⋮	⋮	⋮
	31st character	0A3C ₁₆	0A3D ₁₆	0ABC ₁₆
	32nd character	0A3E ₁₆	0A3F ₁₆	0ABE ₁₆
Block 14	1st character	0A40 ₁₆	0A41 ₁₆	0AC0 ₁₆
	2nd character	0A42 ₁₆	0A43 ₁₆	0AC2 ₁₆
	⋮	⋮	⋮	⋮
	31st character	0A7C ₁₆	0A7D ₁₆	0AFC ₁₆
	32nd character	0A7E ₁₆	0A7F ₁₆	0AFE ₁₆
Block 15	1st character	0B00 ₁₆	0B01 ₁₆	0B80 ₁₆
	2nd character	0B02 ₁₆	0B03 ₁₆	0B82 ₁₆
	⋮	⋮	⋮	⋮
	31st character	0B3C ₁₆	0B3D ₁₆	0BBC ₁₆
	32nd character	0B3E ₁₆	0B3F ₁₆	0BBE ₁₆
Block 16	1st character	0B40 ₁₆	0B41 ₁₆	0BC0 ₁₆
	2nd character	0B42 ₁₆	0B43 ₁₆	0BC2 ₁₆
	⋮	⋮	⋮	⋮
	31st character	0B7C ₁₆	0B7D ₁₆	0BF0 ₁₆
	32nd character	0B7E ₁₆	0B7F ₁₆	0BFE ₁₆

M306V5ME-XXXSP
M306V5EESP

SINGLE-CHIP 16-BIT CMOS MICROCOMPUTER with CLOSED CAPTION DECODER
and ON-SCREEN DISPLAY CONTROLLER

Table 2.16.5 Contents of OSD RAM (33rd to 42nd character)

Block	Display Position (from left)	Character Code Specification	Color Code 1 Specification	Color Code 2 Specification
Block 1	33rd character	0C00 ₁₆	0C01 ₁₆	0C80 ₁₆
	34th character	0C02 ₁₆	0C03 ₁₆	0C82 ₁₆
	:	:	:	:
	39th character	0C0C ₁₆	0C0D ₁₆	0C8C ₁₆
	40th character	0C0E ₁₆	0C0F ₁₆	0C8E ₁₆
	41st character	0E00 ₁₆	0E01 ₁₆	0E80 ₁₆
Block 2	42nd character	0E02 ₁₆	0E03 ₁₆	0E82 ₁₆
	33rd character	0C10 ₁₆	0C11 ₁₆	0C90 ₁₆
	34th character	0C12 ₁₆	0C13 ₁₆	0C92 ₁₆
	:	:	:	:
	39th character	0C1C ₁₆	0C1D ₁₆	0C9C ₁₆
	40th character	0C1E ₁₆	0C1F ₁₆	0C9E ₁₆
Block 3	41st character	0E08 ₁₆	0E09 ₁₆	0E88 ₁₆
	42nd character	0E0A ₁₆	0E0B ₁₆	0E8A ₁₆
	33rd character	0C20 ₁₆	0C21 ₁₆	0CA0 ₁₆
	34th character	0C22 ₁₆	0C23 ₁₆	0CA2 ₁₆
	:	:	:	:
	39th character	0C2C ₁₆	0C2D ₁₆	0CAC ₁₆
Block 4	40th character	0C2E ₁₆	0C2F ₁₆	0CAE ₁₆
	41st character	0E10 ₁₆	0E11 ₁₆	0E90 ₁₆
	42nd character	0E12 ₁₆	0E13 ₁₆	0E92 ₁₆
	33rd character	0C30 ₁₆	0C31 ₁₆	0CB0 ₁₆
	34th character	0C32 ₁₆	0C33 ₁₆	0CB2 ₁₆
	:	:	:	:
Block 5	39th character	0C3C ₁₆	0C3D ₁₆	0CBC ₁₆
	40th character	0C3E ₁₆	0C3F ₁₆	0CBE ₁₆
	41st character	0E18 ₁₆	0E19 ₁₆	0E98 ₁₆
	42nd character	0E1A ₁₆	0E1B ₁₆	0E9A ₁₆
	33rd character	0C40 ₁₆	0C41 ₁₆	0CC0 ₁₆
	34th character	0C42 ₁₆	0C43 ₁₆	0CC2 ₁₆
Block 6	:	:	:	:
	39th character	0C4C ₁₆	0C4D ₁₆	0CCC ₁₆
	40th character	0C4E ₁₆	0C4F ₁₆	0CCE ₁₆
	41st character	0E20 ₁₆	0E21 ₁₆	0EA0 ₁₆
	42nd character	0E22 ₁₆	0E23 ₁₆	0EA2 ₁₆
	33rd character	0C50 ₁₆	0C51 ₁₆	0CD0 ₁₆
Block 7	34th character	0C52 ₁₆	0C53 ₁₆	0CD2 ₁₆
	:	:	:	:
	39th character	0C5C ₁₆	0C5D ₁₆	0CDC ₁₆
	40th character	0C5E ₁₆	0C5F ₁₆	0CDE ₁₆
	41st character	0E28 ₁₆	0E29 ₁₆	0EA8 ₁₆
	42nd character	0E2A ₁₆	0E2B ₁₆	0EAA ₁₆
Block 8	33rd character	0C60 ₁₆	0C61 ₁₆	0CE0 ₁₆
	34th character	0C62 ₁₆	0C63 ₁₆	0CE2 ₁₆
	:	:	:	:
	39th character	0C6C ₁₆	0C6D ₁₆	0CEC ₁₆
	40th character	0C6E ₁₆	0C6F ₁₆	0CEE ₁₆
	41st character	0E30 ₁₆	0E31 ₁₆	0EB0 ₁₆
Block 9	42nd character	0E32 ₁₆	0E33 ₁₆	0EB2 ₁₆

M306V5ME-XXXSP
M306V5EESP

SINGLE-CHIP 16-BIT CMOS MICROCOMPUTER with CLOSED CAPTION DECODER
and ON-SCREEN DISPLAY CONTROLLER

Table 2.16.6 Contents of OSD RAM (33rd to 42nd character) (continued)

Block	Display Position (from left)	Character Code Specification	Color Code 1 Specification	Color Code 2 Specification
Block 8	33rd character	0C70 ₁₆	0C71 ₁₆	0CF0 ₁₆
	34th character	0C72 ₁₆	0C73 ₁₆	0CF2 ₁₆
	:	:	:	:
	39th character	0C7C ₁₆	0C7D ₁₆	0CFC ₁₆
	40th character	0C7E ₁₆	0C7F ₁₆	0CFE ₁₆
	41st character	0E38 ₁₆	0E39 ₁₆	0EB8 ₁₆
42nd character	0E3A ₁₆	0E3B ₁₆	0EBA ₁₆	
Block 9	33rd character	0D00 ₁₆	0D01 ₁₆	0D80 ₁₆
	34th character	0D02 ₁₆	0D03 ₁₆	0D82 ₁₆
	:	:	:	:
	39th character	0D0C ₁₆	0D0D ₁₆	0D8C ₁₆
	40th character	0D0E ₁₆	0D0F ₁₆	0D8E ₁₆
	41st character	0E40 ₁₆	0E41 ₁₆	0EC0 ₁₆
42nd character	0E42 ₁₆	0E43 ₁₆	0EC2 ₁₆	
Block 10	33rd character	0D10 ₁₆	0D11 ₁₆	0D90 ₁₆
	34th character	0D12 ₁₆	0D13 ₁₆	0D92 ₁₆
	:	:	:	:
	39th character	0D1C ₁₆	0D1D ₁₆	0D9C ₁₆
	40th character	0D1E ₁₆	0D1F ₁₆	0D9E ₁₆
	41st character	0E48 ₁₆	0E49 ₁₆	0EC8 ₁₆
42nd character	0E4A ₁₆	0E4B ₁₆	0ECA ₁₆	
Block 11	33rd character	0D20 ₁₆	0D21 ₁₆	0DA0 ₁₆
	34th character	0D22 ₁₆	0D23 ₁₆	0DA2 ₁₆
	:	:	:	:
	39th character	0D2C ₁₆	0D2D ₁₆	0DAC ₁₆
	40th character	0D2E ₁₆	0D2F ₁₆	0DAE ₁₆
	41st character	0E50 ₁₆	0E51 ₁₆	0ED0 ₁₆
42nd character	0E52 ₁₆	0E53 ₁₆	0ED2 ₁₆	
Block 12	33rd character	0D30 ₁₆	0D31 ₁₆	0DB0 ₁₆
	34th character	0D32 ₁₆	0D33 ₁₆	0DB2 ₁₆
	:	:	:	:
	39th character	0D3C ₁₆	0D3D ₁₆	0DBC ₁₆
	40th character	0D3E ₁₆	0D3F ₁₆	0DBE ₁₆
	41st character	0E58 ₁₆	0E59 ₁₆	0ED8 ₁₆
42nd character	0E5A ₁₆	0E5B ₁₆	0EDA ₁₆	
Block 13	33rd character	0D40 ₁₆	0D41 ₁₆	0DC0 ₁₆
	34th character	0D42 ₁₆	0D43 ₁₆	0DC2 ₁₆
	:	:	:	:
	39th character	0D4C ₁₆	0D4D ₁₆	0DCC ₁₆
	40th character	0D4E ₁₆	0D4F ₁₆	0DCE ₁₆
	41st character	0E60 ₁₆	0E61 ₁₆	0EE0 ₁₆
42nd character	0E62 ₁₆	0E63 ₁₆	0EE2 ₁₆	
Block 14	33rd character	0D50 ₁₆	0D51 ₁₆	0DD0 ₁₆
	34th character	0D52 ₁₆	0D53 ₁₆	0DD2 ₁₆
	:	:	:	:
	39th character	0D5C ₁₆	0D5D ₁₆	0DDC ₁₆
	40th character	0D5E ₁₆	0D5F ₁₆	0DDE ₁₆
	41st character	0E68 ₁₆	0E69 ₁₆	0EE8 ₁₆
42nd character	0E6A ₁₆	0E6B ₁₆	0EEA ₁₆	

M306V5ME-XXXSP
M306V5EESP

SINGLE-CHIP 16-BIT CMOS MICROCOMPUTER with CLOSED CAPTION DECODER
and ON-SCREEN DISPLAY CONTROLLER

Table 2.16.7 Contents of OSD RAM (33rd to 42nd character) (continued)

Block	Display Position (from left)	Character Code Specification	Color Code 1 Specification	Color Code 2 Specification
Block 15	33rd character	0D60 ₁₆	0D61 ₁₆	0DE0 ₁₆
	34th character	0D62 ₁₆	0D63 ₁₆	0DE2 ₁₆
	⋮	⋮	⋮	⋮
	39th character	0D6C ₁₆	0D6D ₁₆	0DEC ₁₆
	40th character	0D6E ₁₆	0D6F ₁₆	0DEE ₁₆
	41st character	0E70 ₁₆	0E71 ₁₆	0EF0 ₁₆
Block 16	42nd character	0E72 ₁₆	0E73 ₁₆	0EF2 ₁₆
	33rd character	0D70 ₁₆	0D71 ₁₆	0DF0 ₁₆
	34th character	0D72 ₁₆	0D73 ₁₆	0DF2 ₁₆
	⋮	⋮	⋮	⋮
	39th character	0D7C ₁₆	0D7D ₁₆	0DFC ₁₆
	40th character	0D7E ₁₆	0D7F ₁₆	0DFE ₁₆
	41st character	0E78 ₁₆	0E79 ₁₆	0EF8 ₁₆
	42nd character	0E7A ₁₆	0E7B ₁₆	0EFA ₁₆

M306V5ME-XXXSP
M306V5EESP

SINGLE-CHIP 16-BIT CMOS MICROCOMPUTER with CLOSED CAPTION DECODER
and ON-SCREEN DISPLAY CONTROLLER

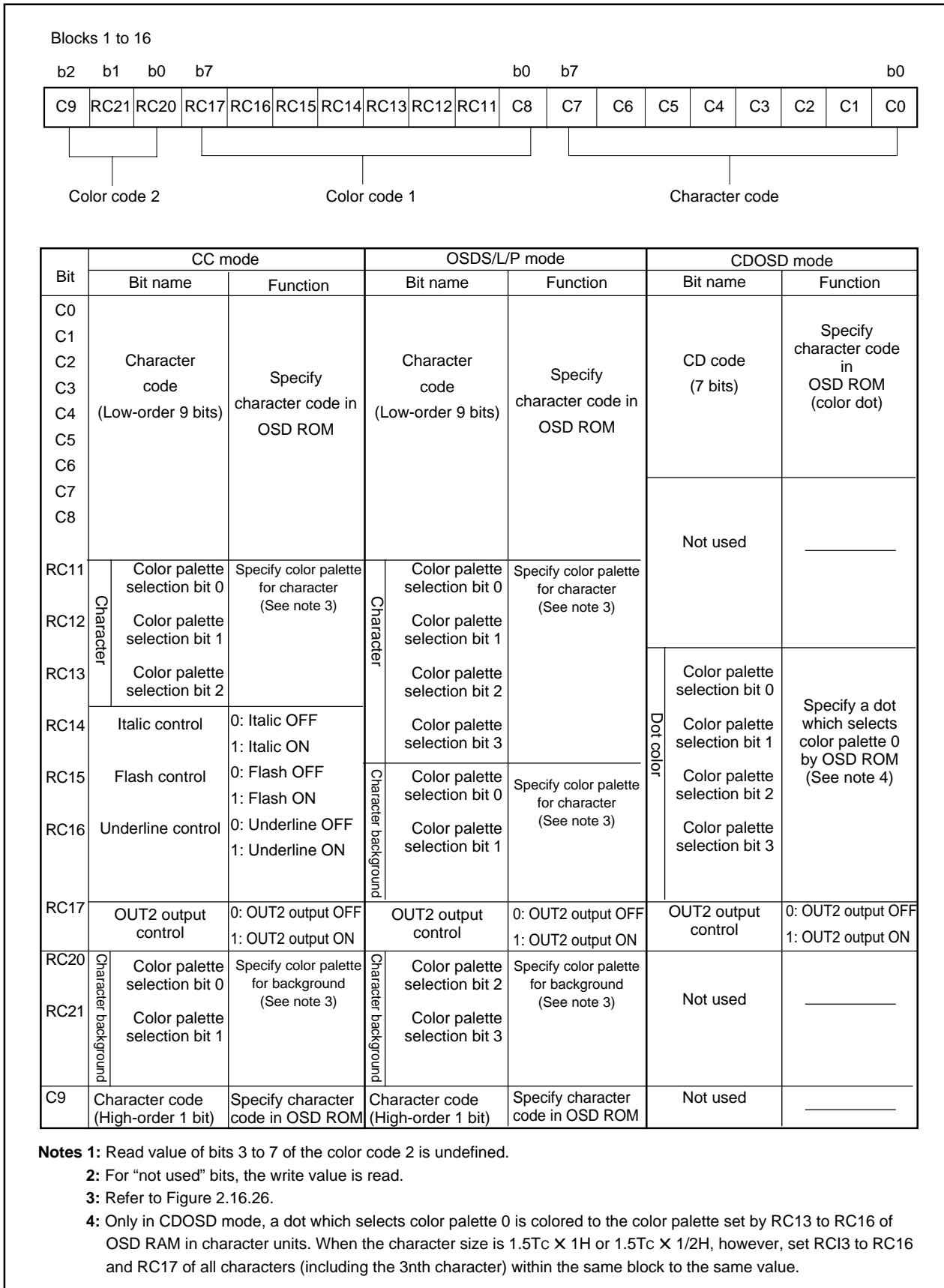


Figure 2.16.25 Structure of OSD RAM

M306V5ME-XXXSP
M306V5EESP

SINGLE-CHIP 16-BIT CMOS MICROCOMPUTER with CLOSED CAPTION DECODER
and ON-SCREEN DISPLAY CONTROLLER

(3) OSD RAM (OSD RAM for SPRITE, addresses 1000₁₆ to 13E7₁₆)

The OSD RAM for SPRITE fonts 1 and 2, consisting of 4 planes for each font, is assigned to addresses 1000₁₆ to 13E7₁₆. Each plane corresponds to each color palette selection bit and the color palette of each dot is determined from among 16 kinds.

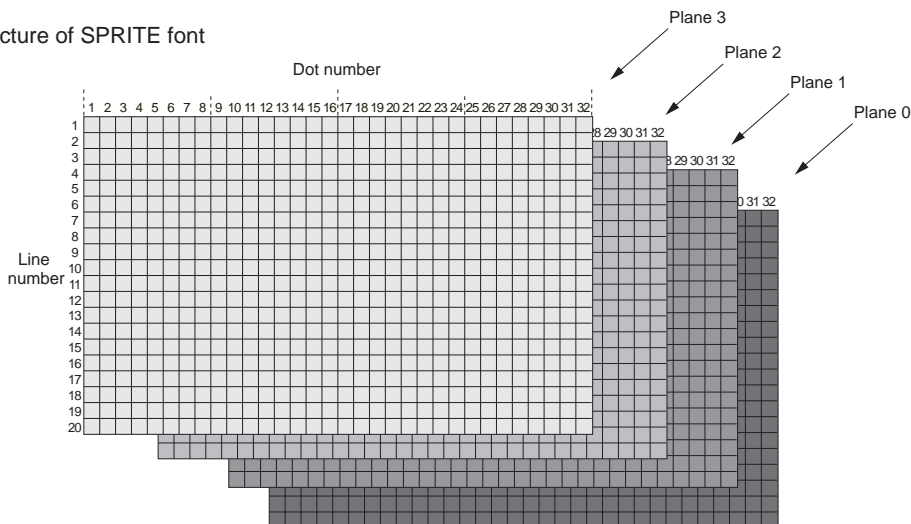
Table 2.16.8 OSD RAM address (SPRITE font 1)

Planes	Plane 3 (Color palette selection bit 3)				Plane 2 (Color palette selection bit 2)				Plane 1 (Color palette selection bit 1)				Plane 0 (Color palette selection bit 0)			
	1 to 8	9 to 16	17 to 24	25 to 32	1 to 8	9 to 16	17 to 24	25 to 32	1 to 8	9 to 16	17 to 24	25 to 32	1 to 8	9 to 16	17 to 24	25 to 32
Dots	b7 to b0	b7 to b0	b7 to b0	b7 to b0	b7 to b0	b7 to b0	b7 to b0	b7 to b0	b7 to b0	b7 to b0	b7 to b0	b7 to b0	b7 to b0	b7 to b0	b7 to b0	b7 to b0
Line 1	10C0 ₁₆	10C1 ₁₆	11C0 ₁₆	11C1 ₁₆	1080 ₁₆	1081 ₁₆	1180 ₁₆	1181 ₁₆	1040 ₁₆	1041 ₁₆	1140 ₁₆	1141 ₁₆	1000 ₁₆	1001 ₁₆	1100 ₁₆	1101 ₁₆
Line 2	10C2 ₁₆	10C3 ₁₆	11C2 ₁₆	11C3 ₁₆	1082 ₁₆	1083 ₁₆	1182 ₁₆	1183 ₁₆	1042 ₁₆	1043 ₁₆	1142 ₁₆	1143 ₁₆	1002 ₁₆	1003 ₁₆	1102 ₁₆	1103 ₁₆
⋮	⋮	⋮	⋮	⋮	⋮	⋮	⋮	⋮	⋮	⋮	⋮	⋮	⋮	⋮	⋮	⋮
Line 19	10E4 ₁₆	10E5 ₁₆	11E4 ₁₆	11E5 ₁₆	10A4 ₁₆	10A5 ₁₆	11A4 ₁₆	11A5 ₁₆	1064 ₁₆	1065 ₁₆	1164 ₁₆	1165 ₁₆	1024 ₁₆	1025 ₁₆	1124 ₁₆	1125 ₁₆
Line 20	10E6 ₁₆	10E7 ₁₆	11E6 ₁₆	11E7 ₁₆	10A6 ₁₆	10A7 ₁₆	11A6 ₁₆	11A7 ₁₆	1066 ₁₆	1067 ₁₆	1166 ₁₆	1167 ₁₆	1026 ₁₆	1027 ₁₆	1126 ₁₆	1127 ₁₆

Table 2.16.9 OSD RAM address (SPRITE font 2)

Planes	Plane 3 (Color palette selection bit 3)				Plane 2 (Color palette selection bit 2)				Plane 1 (Color palette selection bit 1)				Plane 0 (Color palette selection bit 0)			
	1 to 8	9 to 16	17 to 24	25 to 32	1 to 8	9 to 16	17 to 24	25 to 32	1 to 8	9 to 16	17 to 24	25 to 32	1 to 8	9 to 16	17 to 24	25 to 32
Dots	b7 to b0	b7 to b0	b7 to b0	b7 to b0	b7 to b0	b7 to b0	b7 to b0	b7 to b0	b7 to b0	b7 to b0	b7 to b0	b7 to b0	b7 to b0	b7 to b0	b7 to b0	b7 to b0
Line 1	12C0 ₁₆	12C1 ₁₆	13C0 ₁₆	13C1 ₁₆	1280 ₁₆	1281 ₁₆	1380 ₁₆	1381 ₁₆	1240 ₁₆	1241 ₁₆	1340 ₁₆	1341 ₁₆	1200 ₁₆	1201 ₁₆	1300 ₁₆	1301 ₁₆
Line 2	12C2 ₁₆	12C3 ₁₆	13C2 ₁₆	13C3 ₁₆	1282 ₁₆	1283 ₁₆	1382 ₁₆	1383 ₁₆	1242 ₁₆	1243 ₁₆	1342 ₁₆	1343 ₁₆	1202 ₁₆	1203 ₁₆	1302 ₁₆	1303 ₁₆
⋮	⋮	⋮	⋮	⋮	⋮	⋮	⋮	⋮	⋮	⋮	⋮	⋮	⋮	⋮	⋮	⋮
Line 19	12E4 ₁₆	12E5 ₁₆	13E4 ₁₆	13E5 ₁₆	12A4 ₁₆	12A5 ₁₆	13A4 ₁₆	13A5 ₁₆	1264 ₁₆	1265 ₁₆	1364 ₁₆	1365 ₁₆	1224 ₁₆	1225 ₁₆	1324 ₁₆	1325 ₁₆
Line 20	12E6 ₁₆	12E7 ₁₆	13E6 ₁₆	13E7 ₁₆	12A6 ₁₆	12A7 ₁₆	13A6 ₁₆	13A7 ₁₆	1266 ₁₆	1267 ₁₆	1366 ₁₆	1367 ₁₆	1226 ₁₆	1227 ₁₆	1326 ₁₆	1327 ₁₆

Dot structure of SPRITE font



2.16.7 Character Color

As shown in Figure 2.16.26, there are 16 built-in color codes. Color palette 0 is fixed at transparent, and color palette 8 is fixed at black. The remaining 14 colors can be set to any of the 512 colors available. The setting procedure for character colors is as follows:

- CC mode 8 kinds
Color palette selection range (color palettes 0 to 7 or 8 to 15) can be selected by bit 0 of the OSD control register 3 (address 0207₁₆). Color palettes are set by bits RC11 to RC13 of the OSD RAM from among the selection range.
- OSDS/L/P mode 16 kinds
Color palettes are set by bits RC11 to RC14 of the OSD RAM.
- CDOSD mode 16 kinds
Color palettes are set in dot units according to CD font data.
Only in CDOSD mode, a dot which selects color palette 0 or 8 is colored to the color palette set by RC13 to RC16 of OSD RAM in character units (refer to Figure 2.16.28).
- SPRITE display 16 kinds
Color palettes are set in dot units according to the CD font data.

- Notes 1:** Color palette 8 is always selected for bordering and solid space output (OUT 1 output) regardless of the set value in the register.
- 2:** Color palette 0 (transparent) and the transparent setting of other color palettes will differ. When there are multiple layers overlapping (on top of each other, piled up), and the priority layer is color palette 0 (transparent), the bottom layer is displayed, but if the priority layer is the transparent setting of any other color palette, the background is displayed without displaying the bottom layer (refer to Figure 2.16.28).

2.16.8 Character Background Color

The display area around the characters can be colored in with a character background color. Character background colors are set in character units.

- CC mode 4 kinds
Color palette selection range (color codes 0 to 3, 4 to 7, 8 to 11, or 12 to 15) can be selected by bits 1 and 2 of the OSD control register 3 (address 0207₁₆). Color palettes are set by bits RC20 and RC21 of the OSD RAM from among the selection range.
- OSDS/L/P mode 16 kinds
Color palettes are set by bits RC15, RC16, RC20, and RC21 of the OSD RAM.

Note: The character background is displayed in the following part:
(character display area) – (character font) – (border).
Accordingly, the character background color and the color signal for these two sections cannot be mixed.

M306V5ME-XXXSP
M306V5EESP

SINGLE-CHIP 16-BIT CMOS MICROCOMPUTER with CLOSED CAPTION DECODER
and ON-SCREEN DISPLAY CONTROLLER

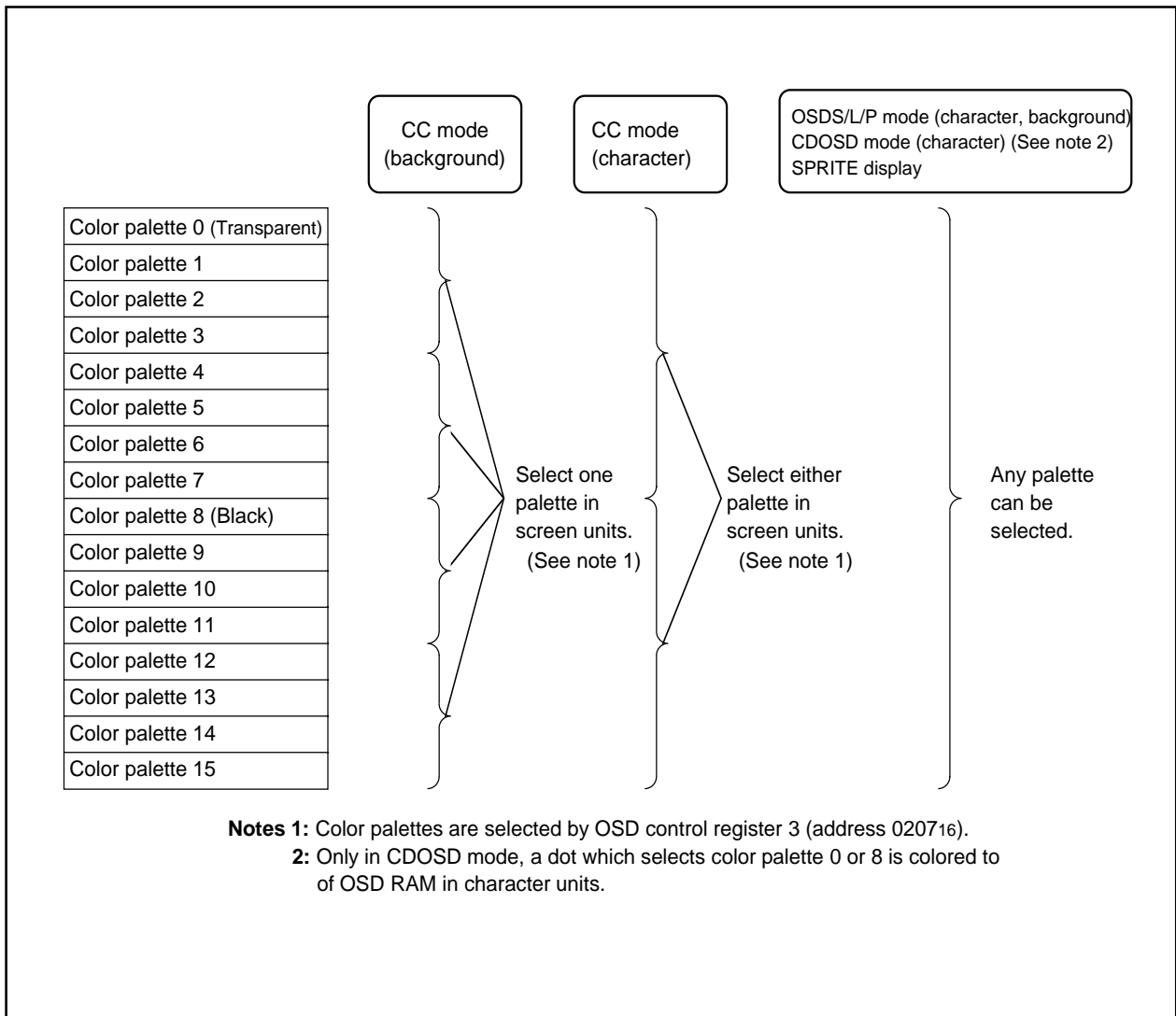


Figure 2.16.26 Color palette selection

M306V5ME-XXXSP
M306V5EESP

SINGLE-CHIP 16-BIT CMOS MICROCOMPUTER with CLOSED CAPTION DECODER
and ON-SCREEN DISPLAY CONTROLLER

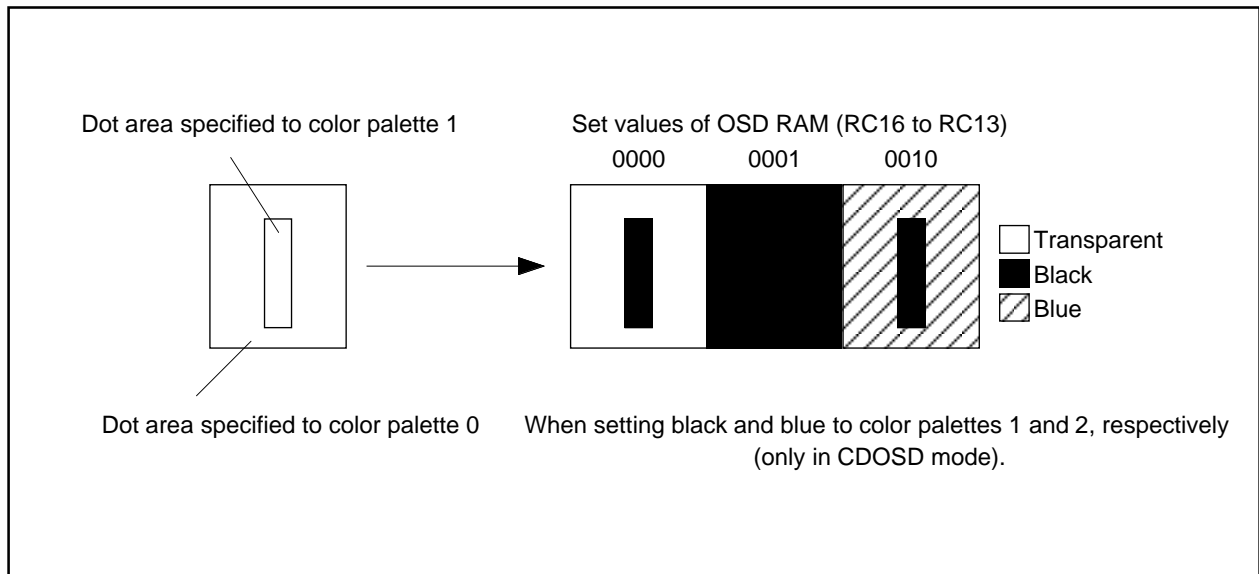


Figure 2.16.27 Set of color palette 0 or 8 in CDOSD mode

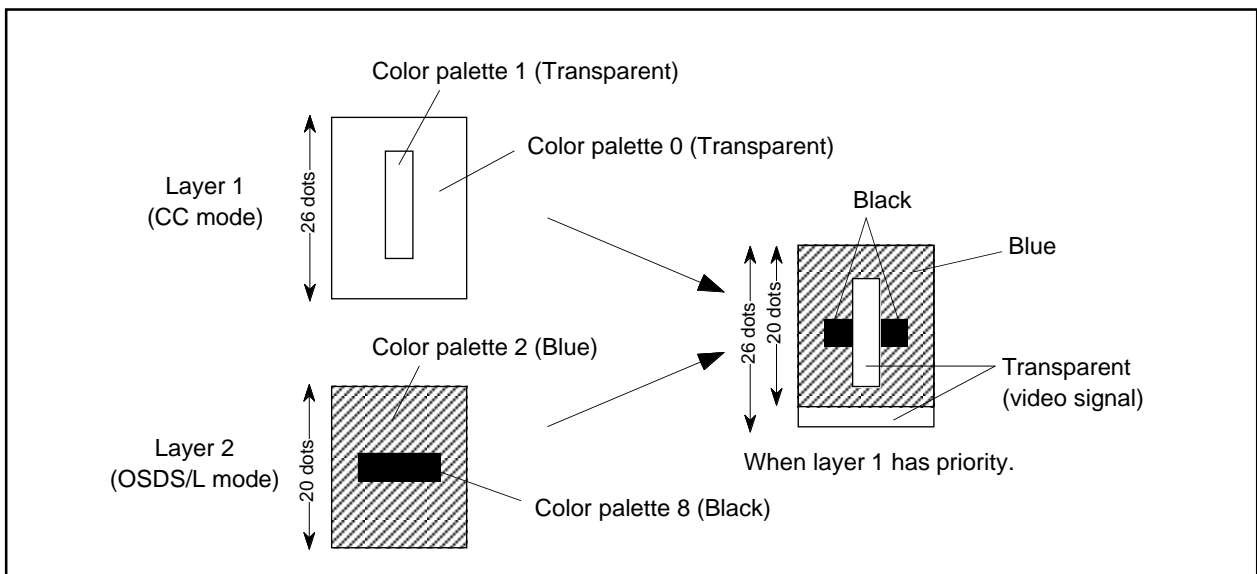


Figure 2.16.28 Difference between color palette 0 (transparent) and transparent setting of other color palettes

M306V5ME-XXXSP
M306V5EESP

SINGLE-CHIP 16-BIT CMOS MICROCOMPUTER with CLOSED CAPTION DECODER
and ON-SCREEN DISPLAY CONTROLLER

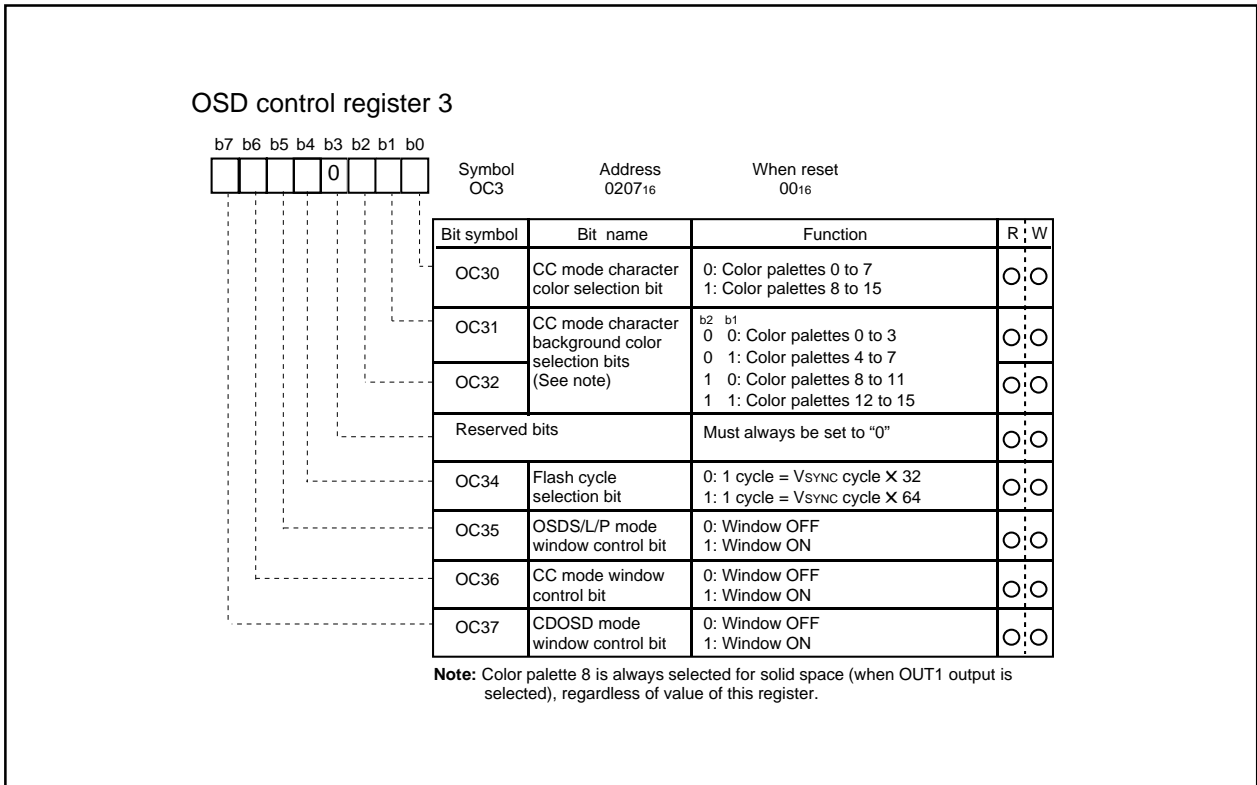


Figure 2.16.29 OSD control register 3

M306V5ME-XXXSP
M306V5EESP

SINGLE-CHIP 16-BIT CMOS MICROCOMPUTER with CLOSED CAPTION DECODER
and ON-SCREEN DISPLAY CONTROLLER

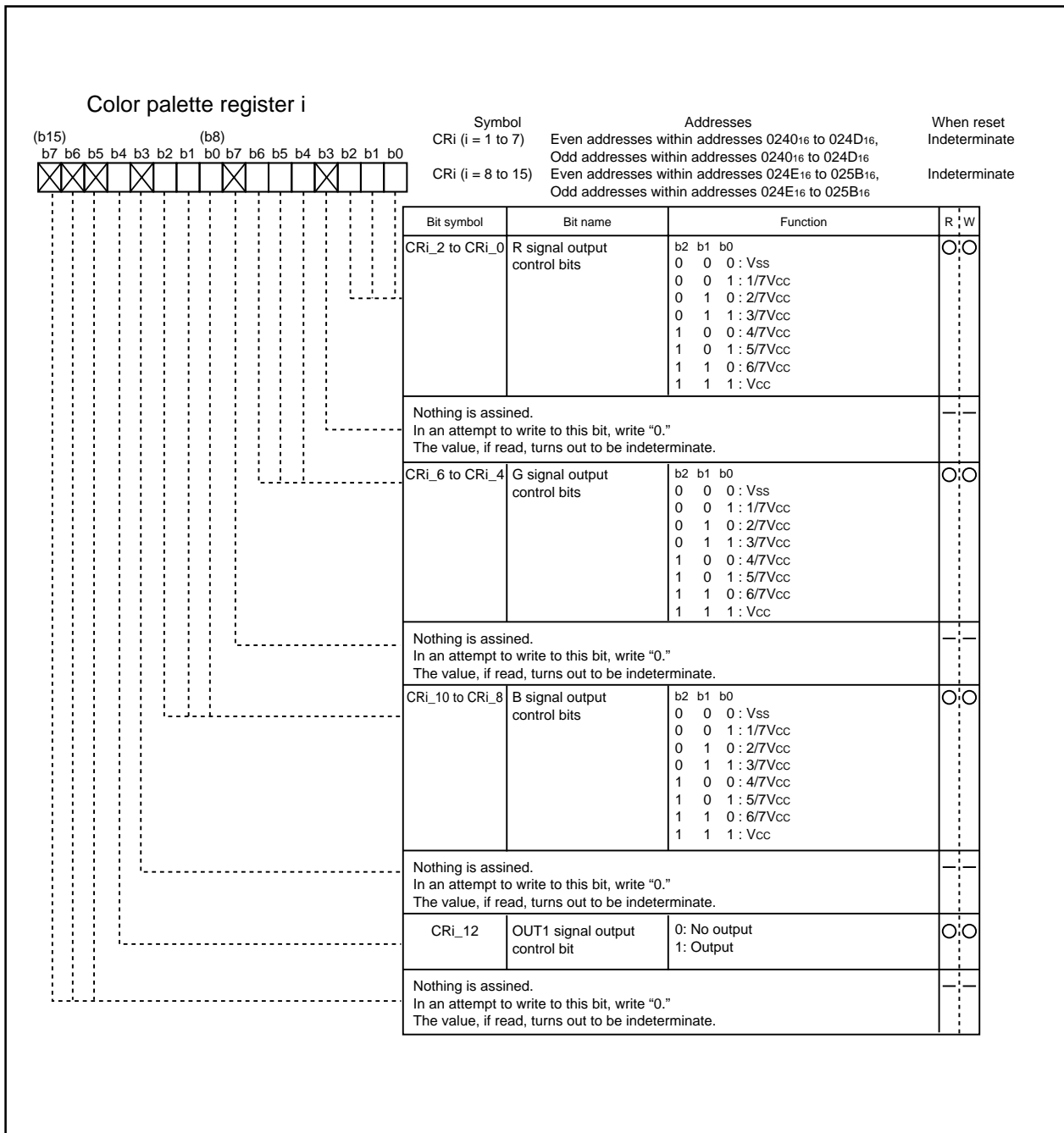


Figure 2.16.30 Color palette register i (i = 1 to 7, 9 to 15)

2.16.9 OUT1, OUT2 Signals

The OUT1, OUT2 signals are used to control the luminance of the video signal. The output waveform of the OUT1, OUT2 signals is controlled by bit 6 of the color palette register i (refer to Figure 2.16.30), bits 0 to 2 of the block control register i (refer to Figure 2.16.4) and RC17 of OSD RAM. The setting values for controlling OUT1, OUT2 and the corresponding output waveform is shown in Figure 2.16.31.

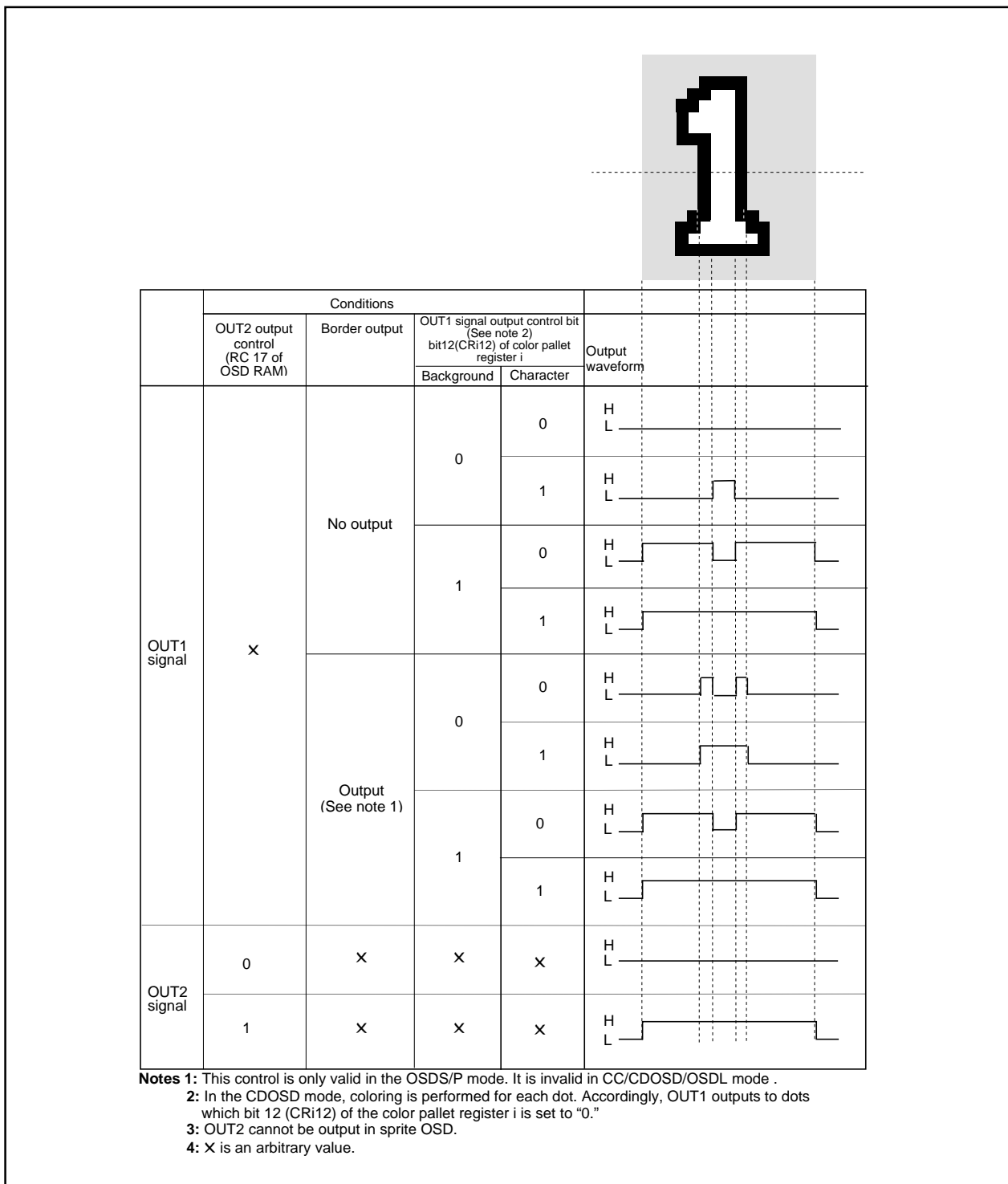


Figure 2.16.31 Setting value for controlling OUT1, OUT2 and corresponding output waveform

M306V5ME-XXXSP
M306V5EESP

SINGLE-CHIP 16-BIT CMOS MICROCOMPUTER with CLOSED CAPTION DECODER
and ON-SCREEN DISPLAY CONTROLLER

2.16.10 Attribute

The attributes (flash, underline, italic fonts) are controlled to the character font. The attributes for each character are specified by RC14 to RC16 of OSD RAM (refer to Figure 2.16.26). The attributes to be controlled are different depending on each mode.

CC mode Flash, underline, italic for each character

OSDS/P mode Border (all bordered, shadow bordered can be selected) for each block

(1) Under line

The underline is output at the 23rd and 24th lines in vertical direction only in the CC mode. The underline is controlled by RC16 of OSD RAM. The color of underline is the same color as that of the character font.

(2) Flash

The parts of the character font, the underline, and the character background are flashed only in the CC mode. The flash for each character is controlled by RC15 of OSD RAM. The ON/OFF for flash is controlled by bit 3 of the OSD control register 1 (refer to Figure 2.16.3). When this bit is "0," only character font and underline flash. When "1," for a character without solid space output, R, G, B and OUT1 (all display area) flash, for a character with solid space output, only R, G, and B (all display area) flash. The flash cycle bases on the VSYNC count.

<NTSC method>

- When bit 4 = "0"
 - VSYNC cycle X 24 ≈ 400 ms (at flash ON)
 - VSYNC cycle X 8 ≈ 133 ms (at flash OFF)
- When bit 4 = "1"
 - VSYNC cycle X 48 ≈ 800 ms (at flash ON)
 - VSYNC cycle X 8 ≈ 133 ms (at flash OFF)

(3) Italic

The italic is made by slanting the font stored in OSD ROM to the right only in the CC mode. The italic is controlled by RC14 of OSD RAM.

The display example attribute is shown in Figure 2.16.33. In this case, "R" is displayed.

Notes 1: When setting both the italic and the flash, the italic character flashes.

2: When a flash character (with flash character background) adjoin on the right side of a non-flash italic character, parts out of the non-flash italic character is also flashed.

3: OUT2 is not flashed.

4: When the pre-divide ratio = 1, the italic character with slant of 1 dot X 5 steps is displayed ; when the pre-divide ratio = 2, the italic character with slant of 1/2 dot X 10 steps is displayed (refer to Figure 2.16.32 (c), (d)). However, when displaying the italic character with the pre-divide ratio = 1, set the OSD clock frequency to 11 MHz to 14 MHz.

5: The boundary of character color is displayed in italic. However, the boundary of character background color is not affected by the italic (refer to Figure 2.16.33).

6: The adjacent character (one side or both side) to an italic character is displayed in italic even when the character is not specified to display in italic (refer to Figure 2.16.33).

7: When displaying the 32nd character (in 32-character mode)/42nd character (in 42-character mode) in the italic and when solid space is off (OC14 = "0"), parts out of character area is not displayed (refer to Figure 2.16.33).

M306V5ME-XXXSP
M306V5EESP

SINGLE-CHIP 16-BIT CMOS MICROCOMPUTER with CLOSED CAPTION DECODER
and ON-SCREEN DISPLAY CONTROLLER

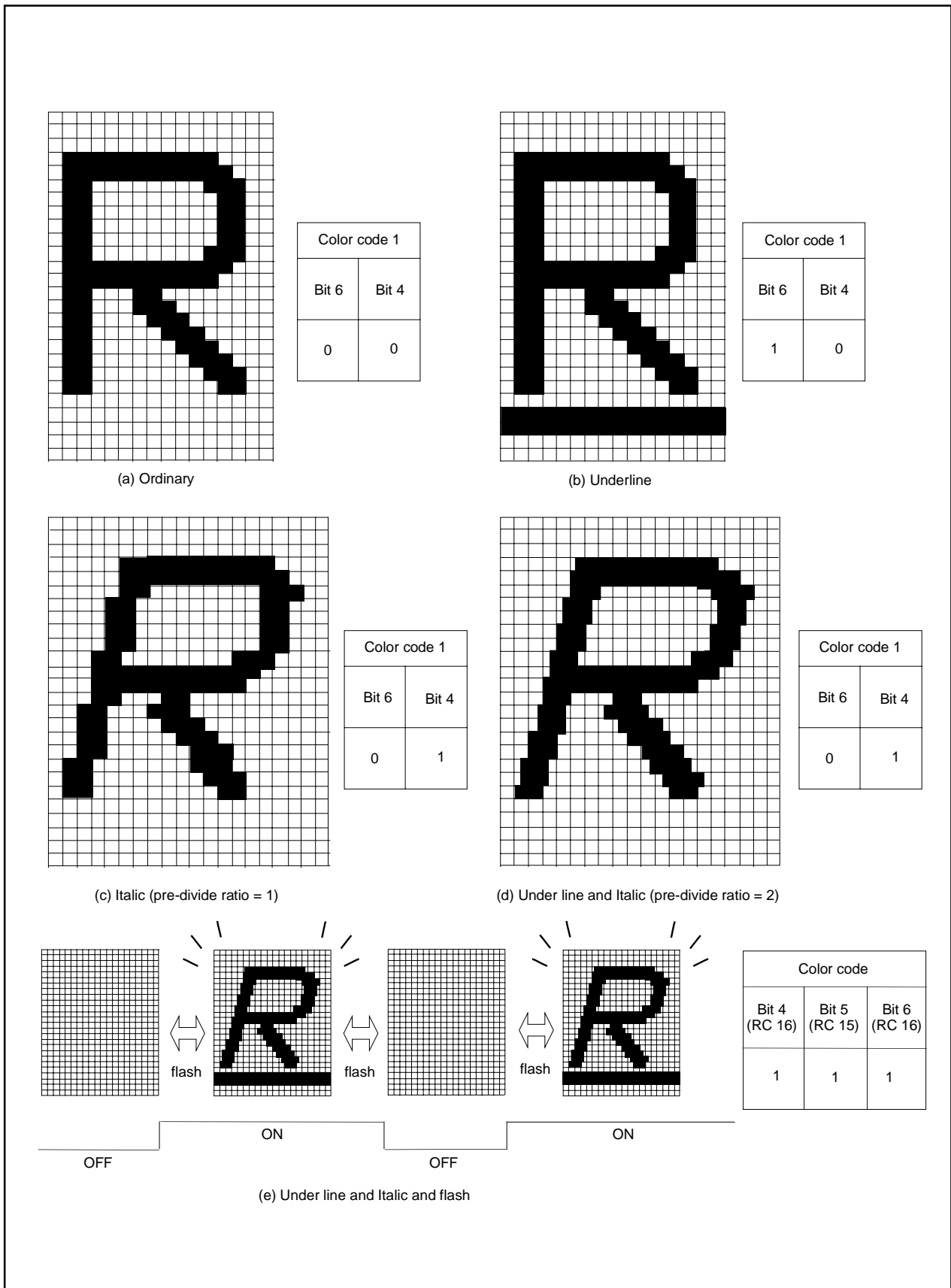


Figure 2.16.32 Example of attribute display (in CC mode)

M306V5ME-XXXSP
M306V5EESP

SINGLE-CHIP 16-BIT CMOS MICROCOMPUTER with CLOSED CAPTION DECODER
 and ON-SCREEN DISPLAY CONTROLLER

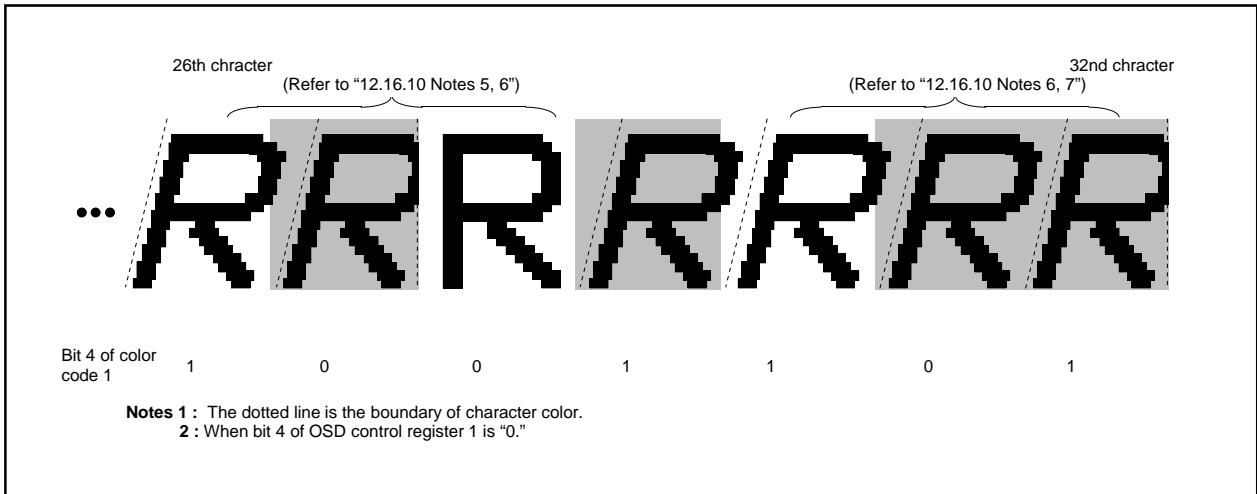


Figure 2.16.33 Example of italic display

(4) Border

The border is output in the OSDS/P mode. The all bordered (bordering around of character font) and the shadow bordered (bordering right and bottom sides of character font) are selected (refer to Figure 2.16.34) by bit 2 of the OSD control register 1 (refer to Figure 2.16.3). The ON/OFF switch for borders can be controlled in block units by bits 0 to 2 of the block control register i (refer to Figure 2.16.4).

The OUT1 signal is used for border output. The border color is fixed at color palette 8 (black). The border color for each screen is specified by the border color register i.

The horizontal size (x) of border is 1Tc (OSD clock cycle divided in the pre-divide circuit) regardless of the character font dot size. However, only when the pre-divide ratio = 2 and character size = 1.5Tc, the horizontal size is 1.5Tc. The vertical size (y) different depending on the screen scan mode and the vertical dot size of character font.

Notes 1 : The border dot area is the shaded area as shown in Figure 2.16.36.

2 : When the border dot overlaps on the next character font, the character font has priority (refer to Figure 2.16.37 A). When the border dot overlaps on the next character back ground, the border has priority (refer to Figure 2.16.37 B).

3 : The border in vertical out of character area is not displayed (refer to Figure 2.16.38).

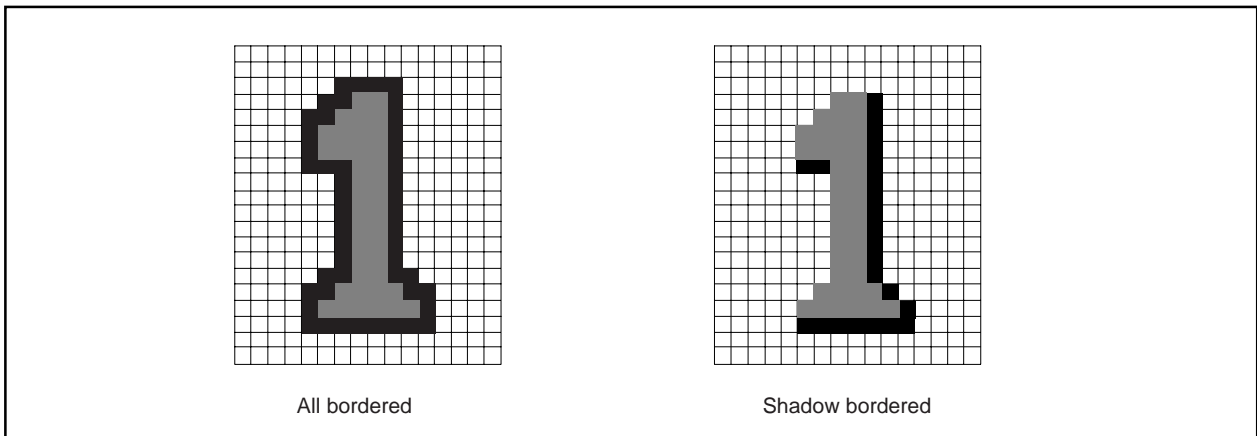


Figure 2.16.34 Example of border display

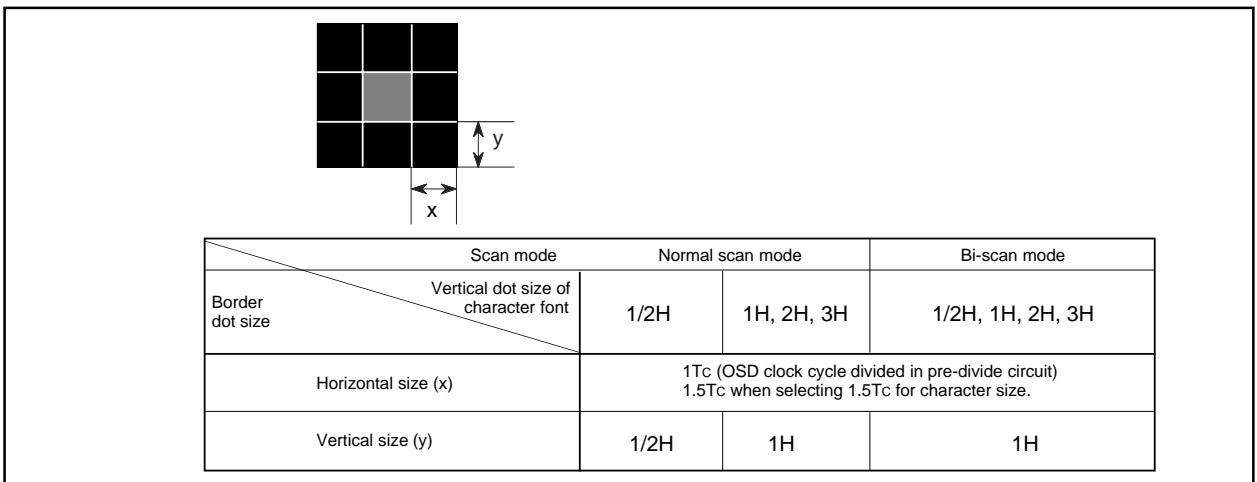


Figure 2.16.35 Horizontal and vertical size of border

M306V5ME-XXXSP
M306V5EESP

SINGLE-CHIP 16-BIT CMOS MICROCOMPUTER with CLOSED CAPTION DECODER
and ON-SCREEN DISPLAY CONTROLLER

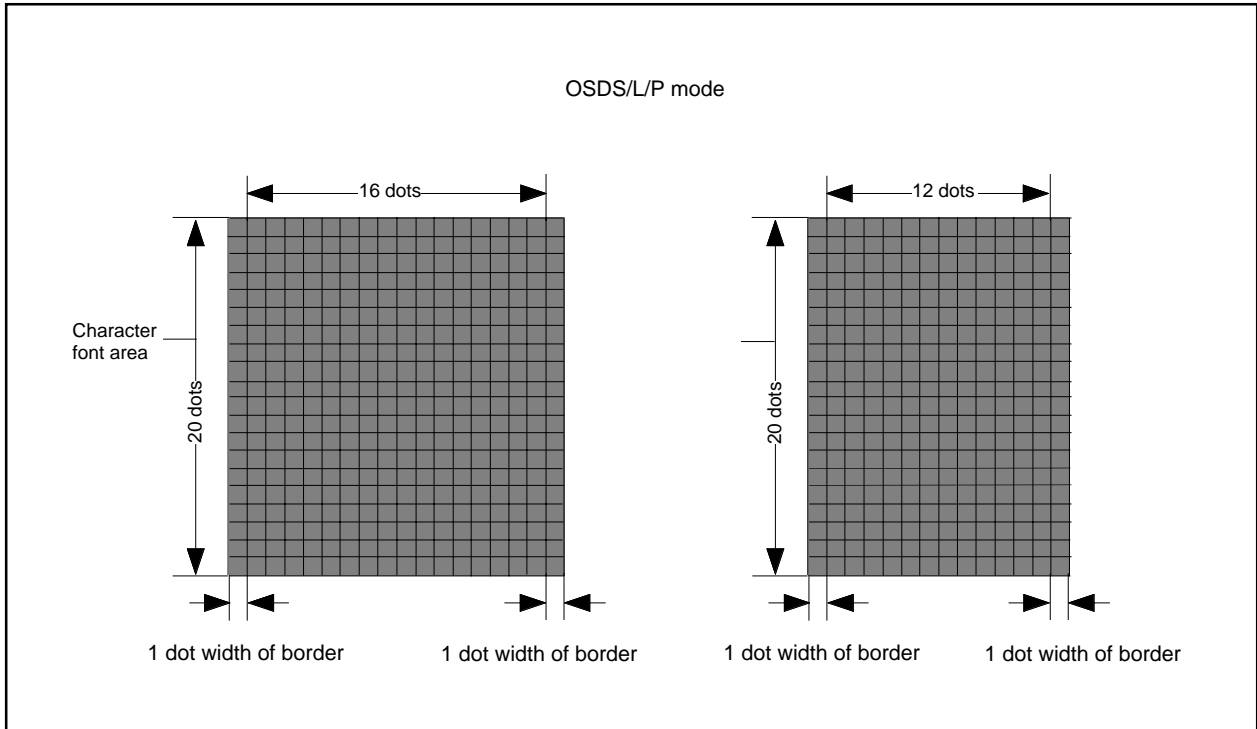


Figure 2.16.36 Border area

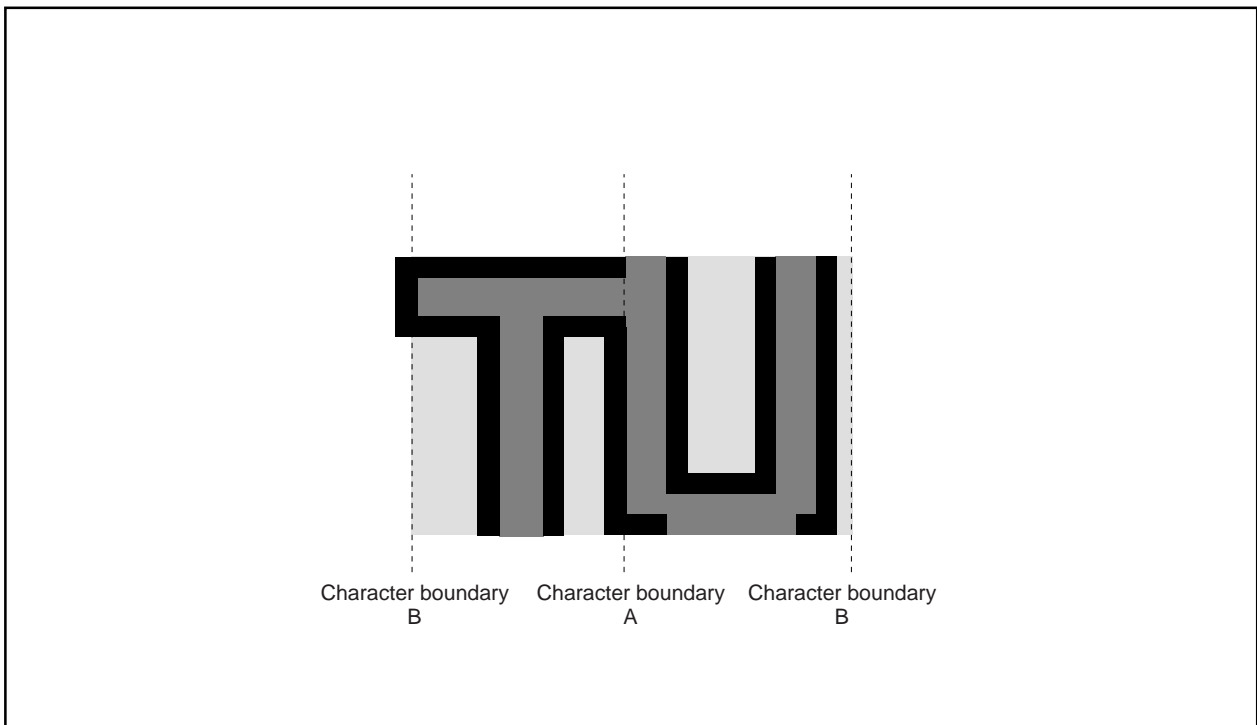


Figure 2.16.37 Border priority

2.16.11 Automatic Solid Space Function

This function generates automatically the solid space (OUT1 or OUT2 blank output) of the character area in the CC mode.

The solid space is output in the following area :

- the character area except character code “00916 ”
- the character area on the left and right sides

This function is turned on and off by bit 4 of the OSD control register 1 (refer to Figure 2.16.3).

OUT1 or OUT2 output is selected by bit 3 of the OSD control register 2.

Notes 1: When selecting OUT1 as solid space output, character background color with solid space output is fixed to color palette 8 (black) regardless of setting.

2: When selecting any font except blank font as the character code “00916,” the set font is output.

Table 2.16.10 Setting for automatic solid space

Bit 4 of OSD control register 1	0				1			
Bit 3 of OSD control register 2	0		1		0		1	
RC17 of OSD RAM	0	1	0	1	0	1	0	1
OUT1 output signal	•Character font area •Character background area		•Character font area •Character background area		•Solid space area		•Character font area •Character background area	
OUT2 output signal	OFF	•Character display area	OFF	•Character display area	OFF	•Character display area	•Solid space	•Solid space •Character display area

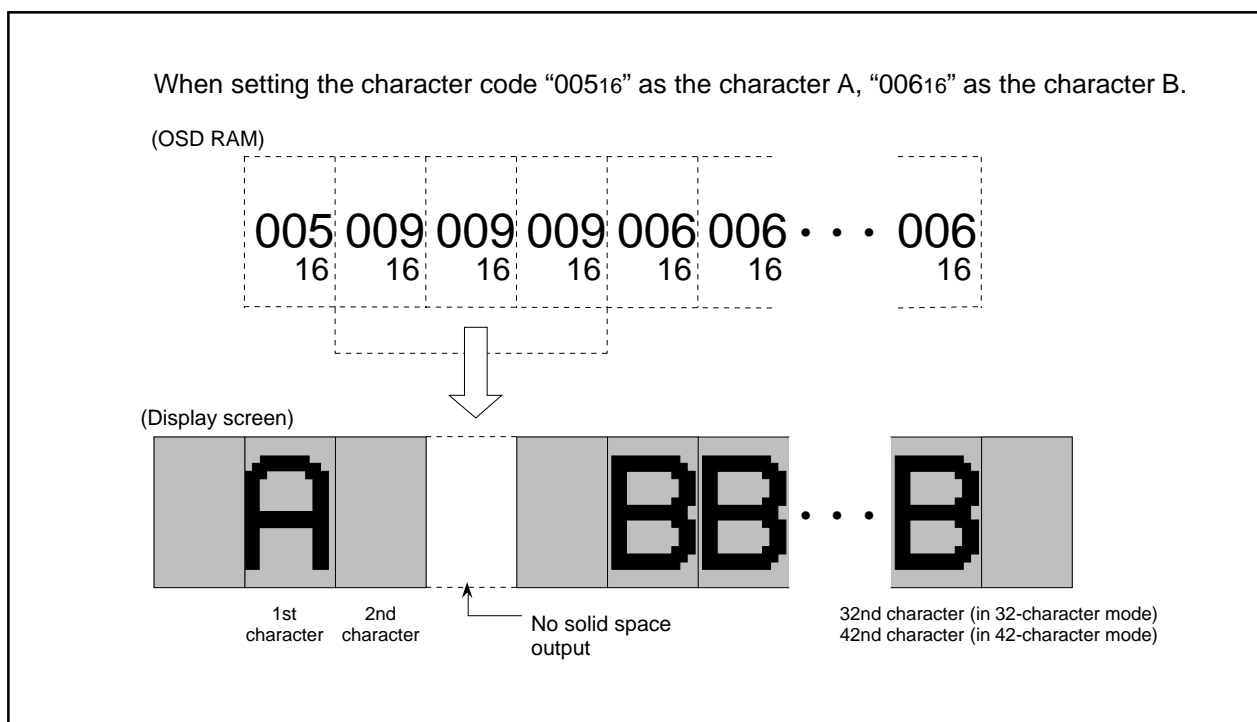


Figure 2.16.38 Display screen example of automatic solid space

2.16.12 Particular OSD Mode Block

This function can display with mixing the fonts below within the OSDP mode block.

<horizontal dot structure with vertical dot structure of 20 dots>

- 16 dots
- 12 dots
- 8 dots
- 4 dots

Each font is selected by a character code. Figure 2.16.39 shows the display example of particular OSD mode block and Table 2.16.11 shows the corresponding between character codes and display fonts.

Note: As for 8 X 20-dot and 4 X 20-dot fonts, only these character background color can be displayed. And also, any character is not displayed on the right side area nor any following areas of these fonts.

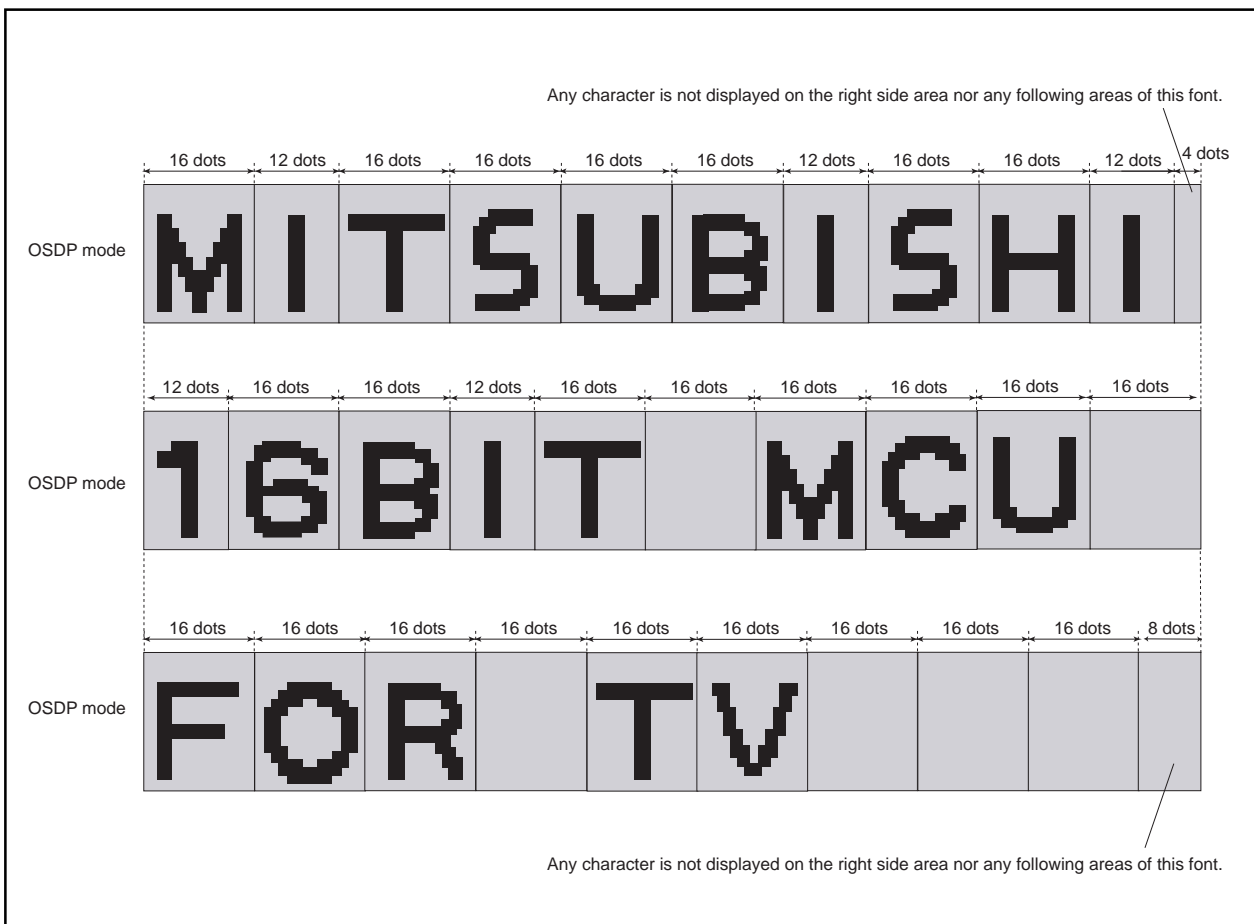
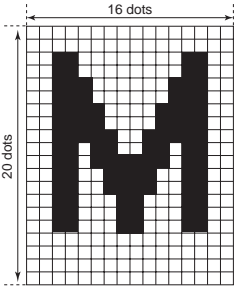
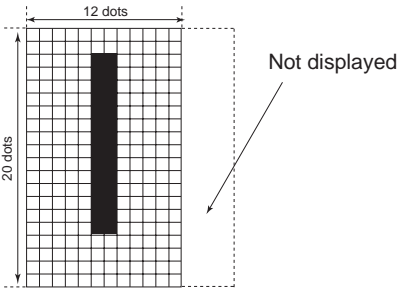
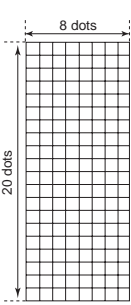
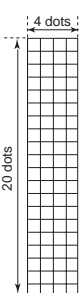


Figure 2.16.39 Display example of OSD mode block

M306V5ME-XXXSP
M306V5EESP

SINGLE-CHIP 16-BIT CMOS MICROCOMPUTER with CLOSED CAPTION DECODER
and ON-SCREEN DISPLAY CONTROLLER

Table 2.16.11 Corresponding between character codes and display fonts

Character code	Display fonts	Notes
00016 to 0EF16, 10016 to 2FF16 (except 10016, 18016, 20016, 28016)	 <p style="text-align: center;">16 dots</p> <p style="position: absolute; left: 328px; top: 200px; transform: rotate(-90deg);">20 dots</p>	
0F016 to 0FD16	 <p style="text-align: center;">12 dots</p> <p style="position: absolute; left: 328px; top: 340px; transform: rotate(-90deg);">20 dots</p> <p style="position: absolute; left: 495px; top: 345px;">Not displayed</p>	<ul style="list-style-type: none"> • The left 12-dot part (16 X 12 dots) of set font is displayed. • In CC and OSDS modes, entire part (16 X 20 dots) of set font is displayed.
3FE16	 <p style="text-align: center;">8 dots</p> <p style="position: absolute; left: 328px; top: 480px; transform: rotate(-90deg);">20 dots</p>	<ul style="list-style-type: none"> • The blank font (only character background) is displayed. • Any character is not displayed on the right side area nor any following areas of this font. • Do not set this font for the 1st character (left edge) of a block.
3FF16	 <p style="text-align: center;">4 dots</p> <p style="position: absolute; left: 328px; top: 630px; transform: rotate(-90deg);">20 dots</p>	<ul style="list-style-type: none"> • The blank font (only character background) is displayed. • Any character is not displayed on the right side area nor any following areas of this font. • Do not set this font for the 1st character (left edge) of a block.

2.16.13 Multiline Display

This microcomputer can ordinarily display 16 lines on the CRT screen by displaying 16 blocks at different vertical positions. In addition, it can display up to 16 lines by using OSD1 interrupts.

An OSD1 interrupt request occurs at the point at which display of each block has been completed. In other words, when a scanning line reaches the point of the display position (specified by the vertical position registers) of a certain block, the character display of that block starts, and an interrupt occurs at the point at which the scanning line exceeds the block. The mode in which an OSD1 interrupt occurs is different depending on the setting of the OSD control register 2 (refer to Figure 2.16.7).

- When bit 7 of the OSD control register 2 is "0"
An OSD1 interrupt request occurs at the completion of layer 1 block display.
- When bit 7 of the OSD control register 2 is "1"
An OSD1 interrupt request occurs at the completion of layer 2 block display.

Notes 1: An OSD1 interrupt does not occur at the end of display when the block is not displayed. In other words, if a block is set to off display by the display control bit of the block control register i (addresses 021016 to 021F16), an OSD1 interrupt request does not occur (refer to Figure 2.16.41 (A)).

2: When another block display appears while one block is displayed, an OSD1 interrupt request occurs only once at the end of the another block display (refer to Figure 2.16.40 (B)).

3: On the screen setting window, an OSD1 interrupt occurs even at the end of the CC mode block (off display) out of window (refer to Figure 2.16.40 (C)).

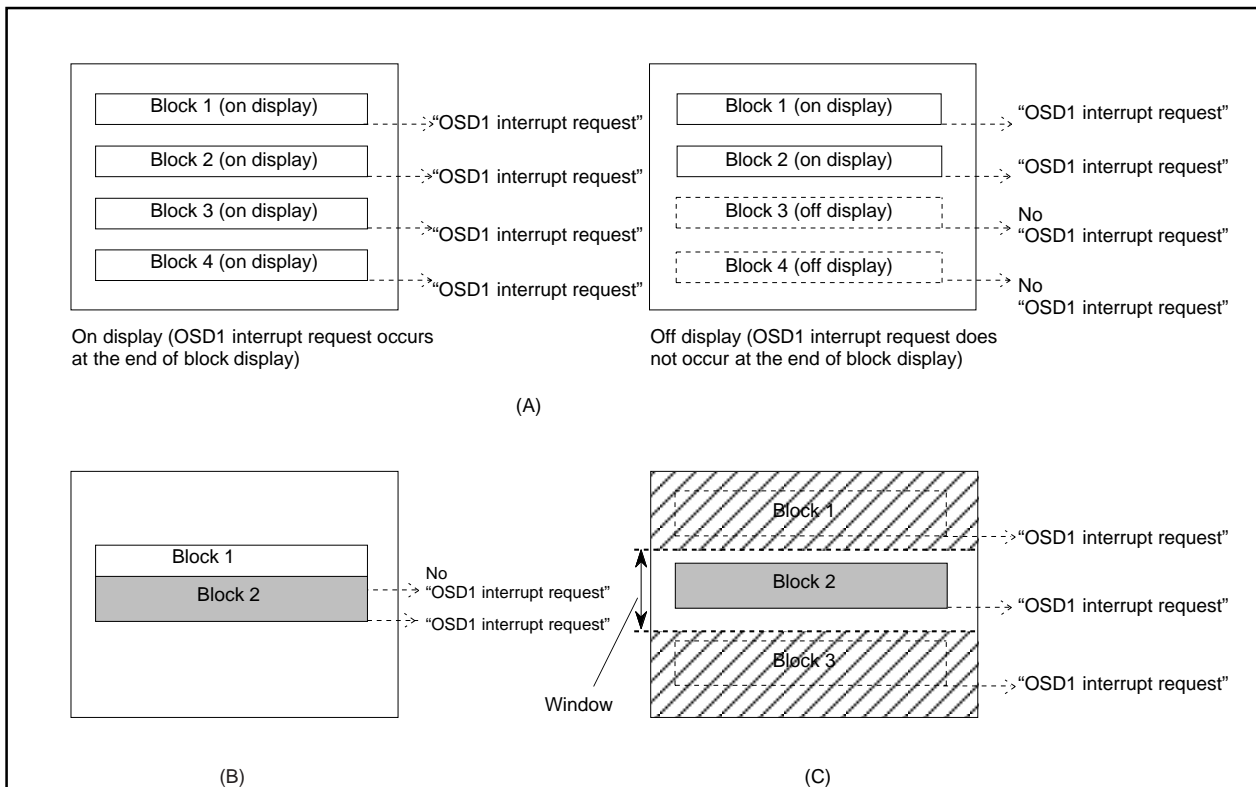


Figure 2.16.40 Note on occurrence of OSD1 interrupt

2.16.14 SPRITE OSD Function

This is especially suitable for cursor and other displays as its function allows for display in any position, regardless of the validity of block OSD displays or display positions. SPRITE font consists of 2 characters: SPRITE fonts 1 and 2. Each SPRITE font is a RAM font consisting of 32 horizontal dots X 20 vertical dots, 4 planes, and 4 bits of data per dot. Each plane has corresponding color palette selection bit, and 16 kinds of color palettes can be selected by the plane bit combination (three bits) for each dot. The color palette is set in dot units according to the OSD RAM (SPRITE) contents from among the selection range. It is possible to add arbitrary font data by software as the SPRITE fonts consist of RAM font.

The SPRITE OSD control register can control SPRITE display and dot size. The display position can also be set independently of the block display by the SPRITE horizontal position registers and the sprite horizontal vertical position registers. The vertical fonts 1 and 2 can be set independently. An OSD interrupt request occurs at each completion of font display. The horizontal position is set in 2048 steps in 2TOSC units, and the vertical position is set in 1024 steps in 1TH units.

When SPRITE display overlaps with other OSD displays, SPRITE display is always given priority. However, the SPRITE display overlaps with the display which includes OUT2 output, OUT2 in the OSD is output without masking.

Notes 1: The SPRITE OSD function cannot output OUT2.

2: When using SPRITE OSD, do not set $HS \leq "00316"$, $HS \geq "80016."$

3: When using SPRITE OSD, do not set $VSi = "00016,"$ $VSi \geq "40016."$

4: When displaying with SPRITE fonts 1 and 2 overlapped, the SPRITE font with a larger set value as the vertical display start position is displayed. When the set values of the vertical display start position are the same, the SPRITE font 1 is displayed.

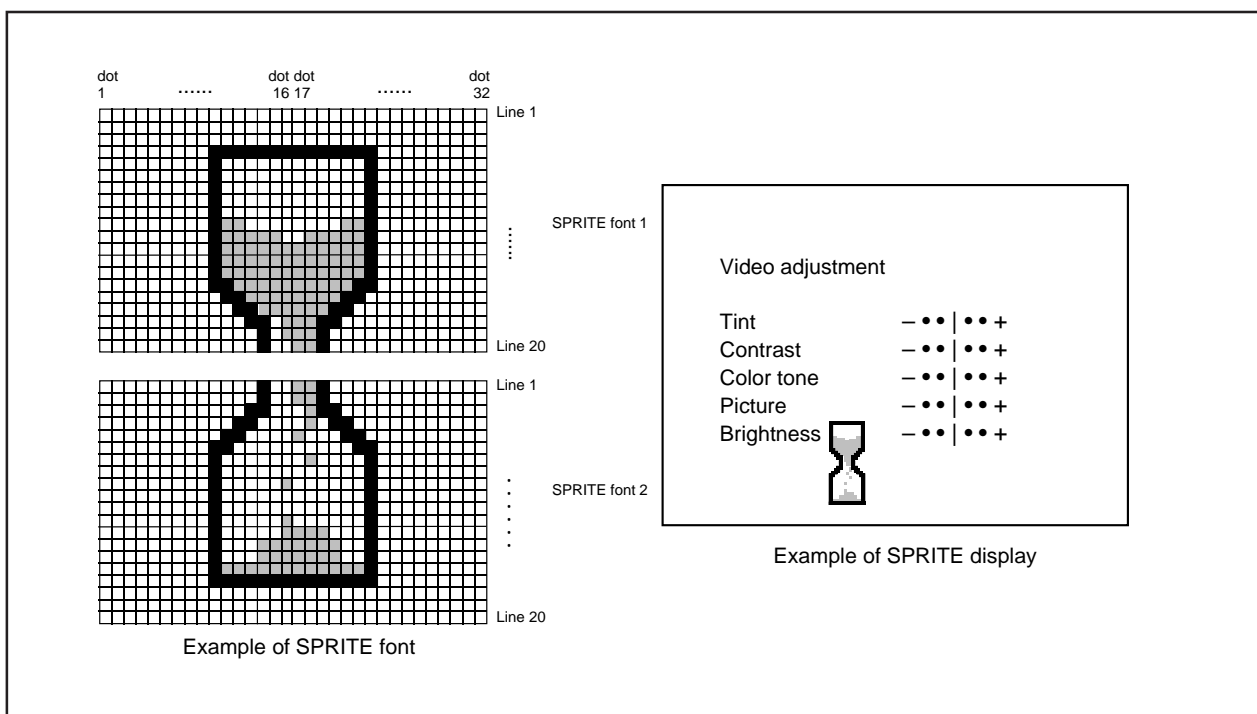


Figure 2.16.41 SPRITE OSD display example

M306V5ME-XXXSP
M306V5EESP

SINGLE-CHIP 16-BIT CMOS MICROCOMPUTER with CLOSED CAPTION DECODER
and ON-SCREEN DISPLAY CONTROLLER

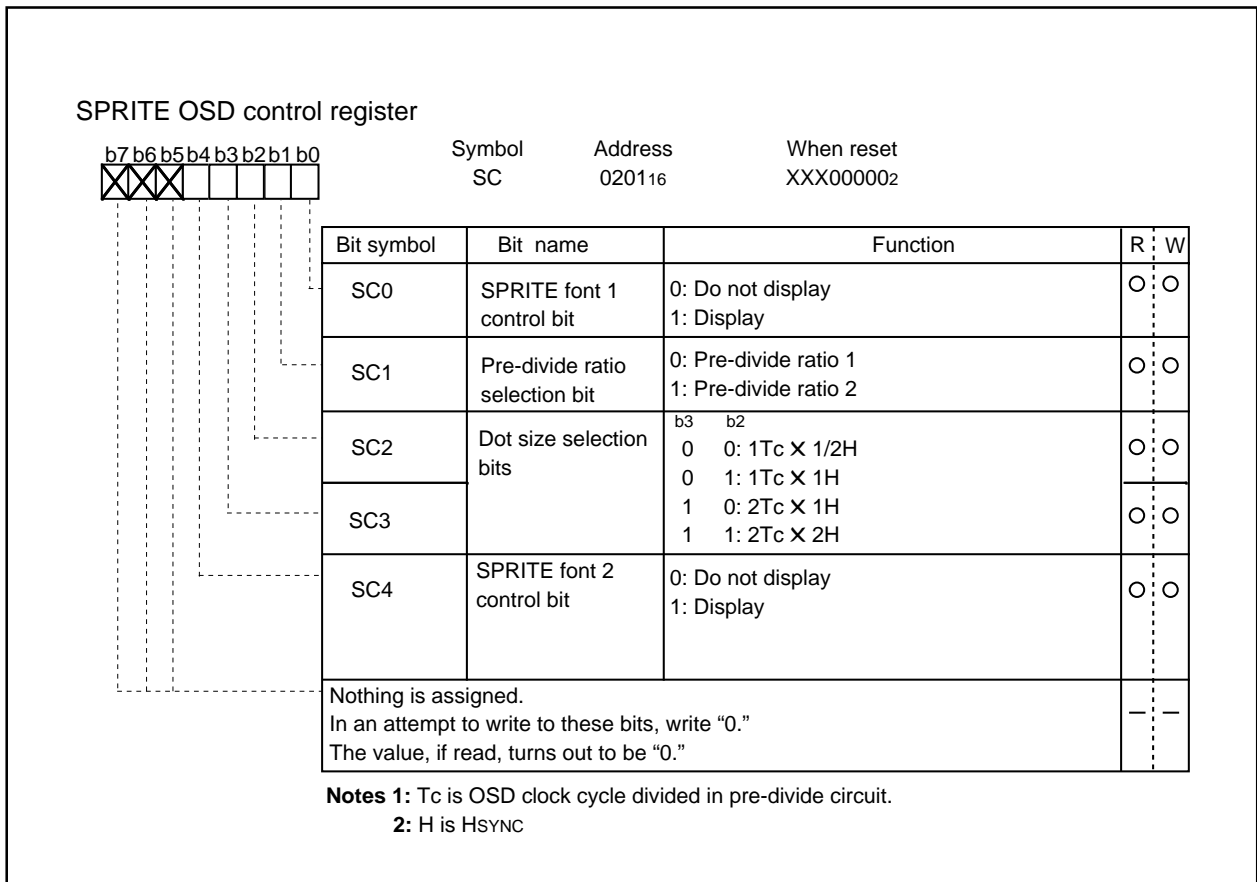


Figure 2.16.42 SPRITE OSD control register

M306V5ME-XXXSP
M306V5EESP

SINGLE-CHIP 16-BIT CMOS MICROCOMPUTER with CLOSED CAPTION DECODER
and ON-SCREEN DISPLAY CONTROLLER

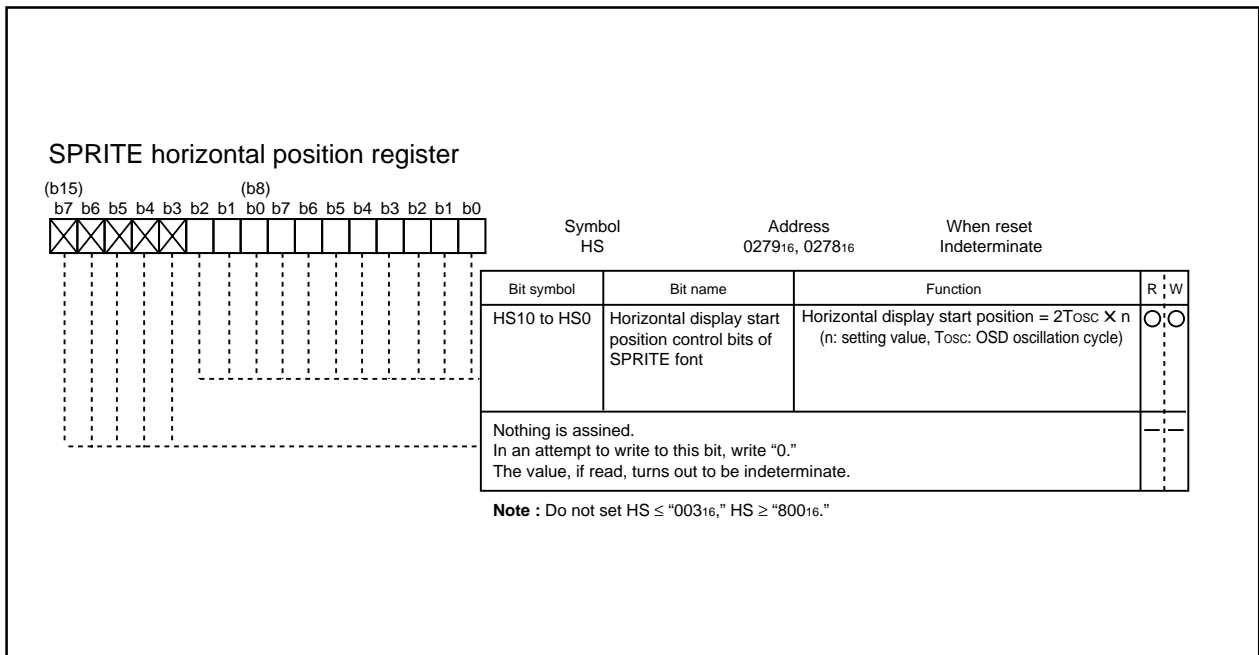


Figure 2.16.43 SPRITE horizontal position register

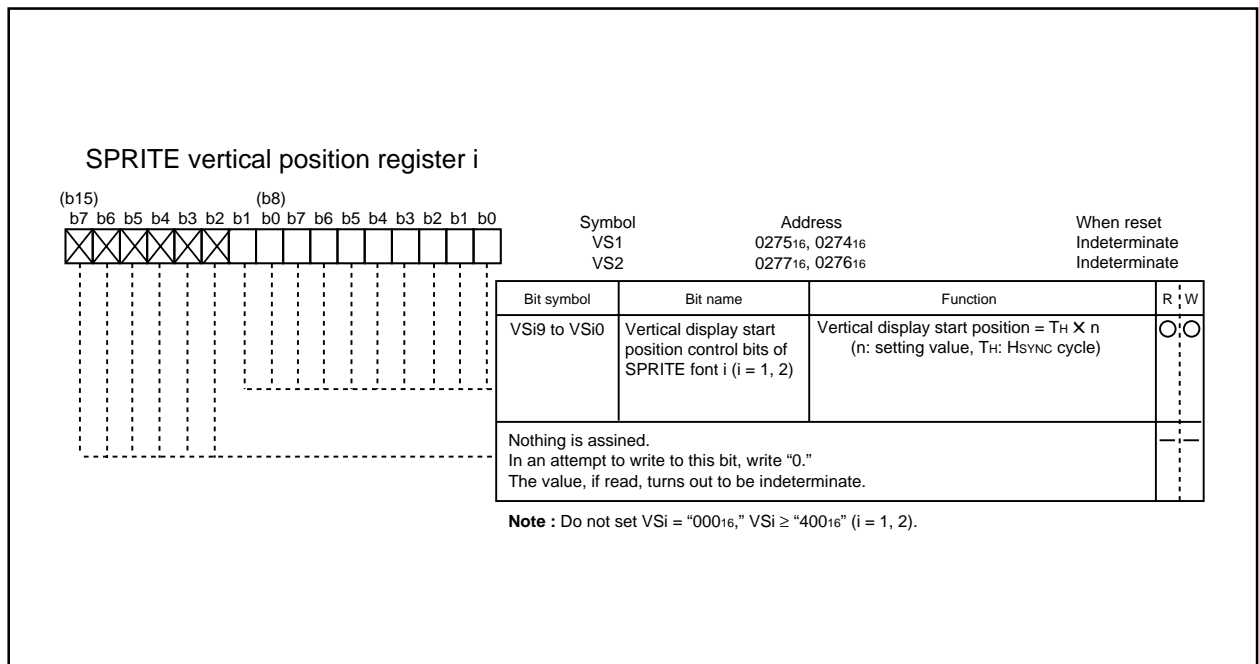


Figure 2.16.44 SPRITE vertical position register i (i = 1, 2)

2.16.15 Window Function

The window function can be set windows on-screen and output OSD within only the area where the window is set.

The ON/OFF for vertical window function is performed by bit 5 of the OSD control register 1 and is used to select vertical window function or vertical blank function by bit 6 of the OSD control register 2. Accordingly, the vertical window function cannot be used simultaneously with the vertical blank function. The display mode to validate the window function is selected by bits 5 to 7 of the OSD control register 3. The top border is set by the top border control register (TBR) and the bottom border is set by the bottom border control register (BBR).

The ON/OFF for horizontal window function is performed by bit 4 of the OSD control register 2 and is used interchangeably for the horizontal blank function with bit 5 of the OSD control register 2. Accordingly, the horizontal blank function cannot be used simultaneously with the horizontal window function. The display mode to validate the window function is selected by bits 5 to 7 of the OSD control register 3. The left border is set by the left border control register (LBR), and the right border is set by the right border control register (RBR).

- Notes 1:** Horizontal blank and horizontal window, as well as vertical blank and vertical window can not be used simultaneously.
- 2:** When the window function is ON by OSD control registers 1 and 2, the window function of OUT2 is valid in all display mode regardless of setting value of the OSD control register 3 (bits 5 to 7). For example, even when make the window function valid in only CC mode, the function of OUT2 is valid in OSDS/L/P and CDOSD modes.
- 3:** As for SPRITE display, the window function does not operate.

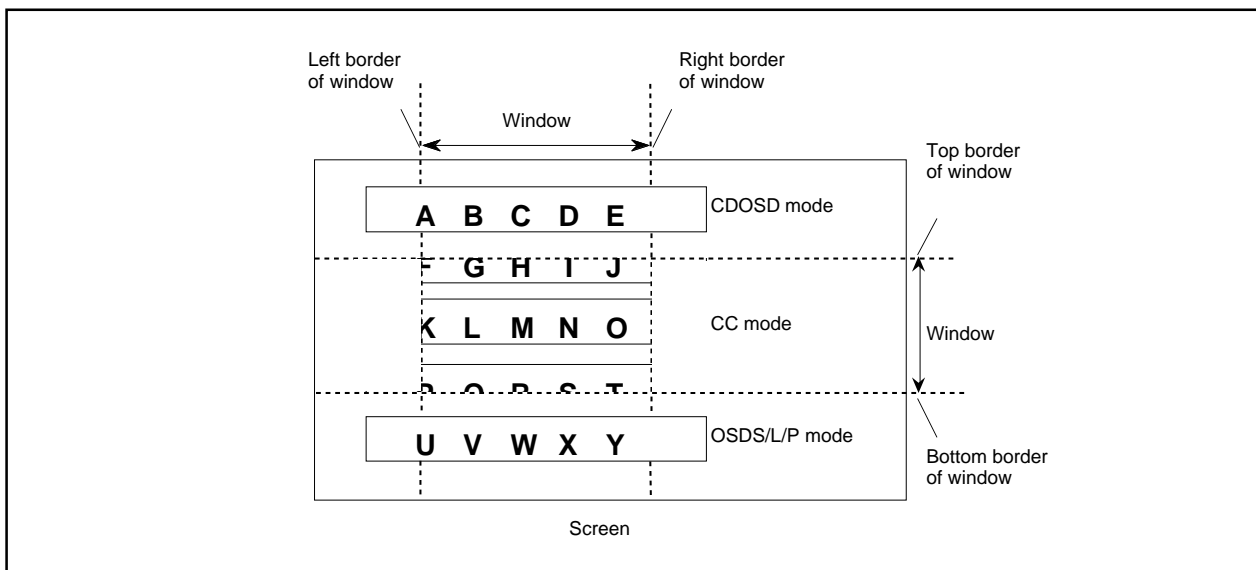


Figure 2.16.45 Example of window function (When CC mode is valid)

2.16.16 Blank Function

The blank function can output blank (OUT1) area on all sides (vertical and horizontal) of the screen. This provides the blank signal, wipe function, etc., when outputting a 3 : 4 image on a wide screen.

The ON/OFF for vertical blank function is performed by bit 5 of the OSD control register 1 and is used to select vertical window function or vertical blank function by bit 6 of the OSD control register 2. Accordingly, the vertical blank function cannot be used simultaneously with the vertical window function. The top border is set by the top border control register (TBR), and the bottom border is set by the bottom border control register (BBR), in 1H units.

The ON/OFF for horizontal blank function is performed by bit 4 of the OSD control register 2 and is used interchangeably for the horizontal window function with bit 5 of the OSD control register 2. Accordingly, the horizontal blank function cannot be used simultaneously with the horizontal window function. The left border is set by the left border control register (LBR) and the right border is set by the right border control register (RBR), in 4TOSC units.

The OSD output (except raster) in area with blank output is not deleted.

These blank signals are not output in the horizontal/vertical blanking interval.

- Notes 1.** Horizontal blank and horizontal window, as well as vertical blank and vertical window can not be used simultaneously.
- 2.** When using the window function, be sure to set “1” to bit 0 of OSD control register 1.

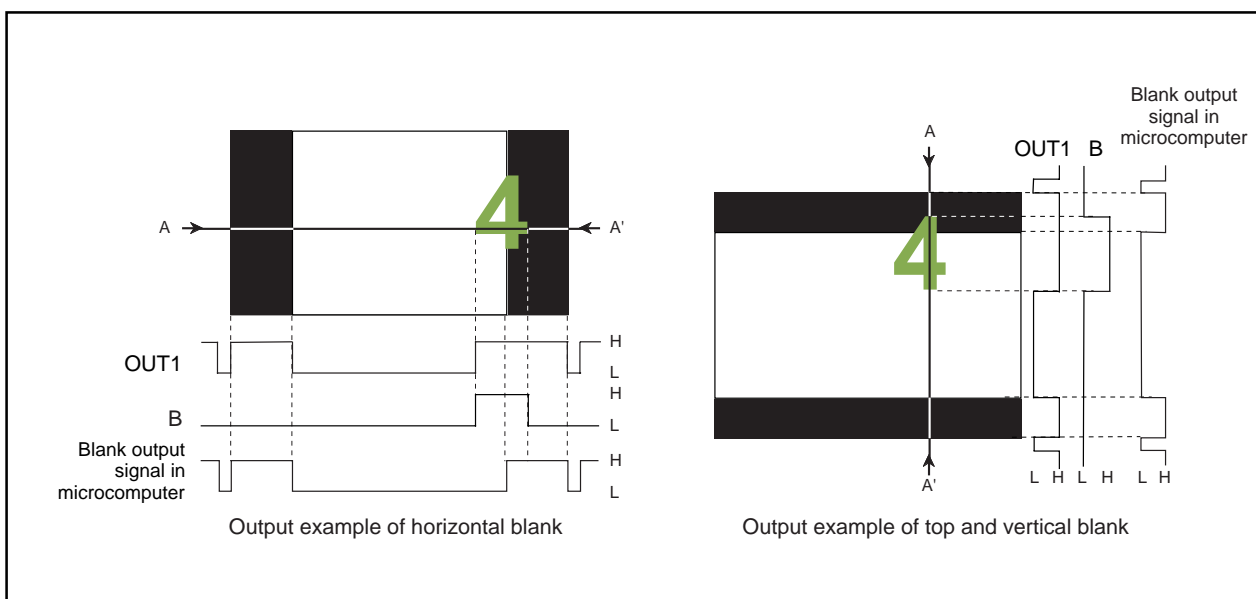


Figure 2.16.46 Blank output example (when OSD output is B + OUT1)

M306V5ME-XXXSP
M306V5EESP

SINGLE-CHIP 16-BIT CMOS MICROCOMPUTER with CLOSED CAPTION DECODER
and ON-SCREEN DISPLAY CONTROLLER

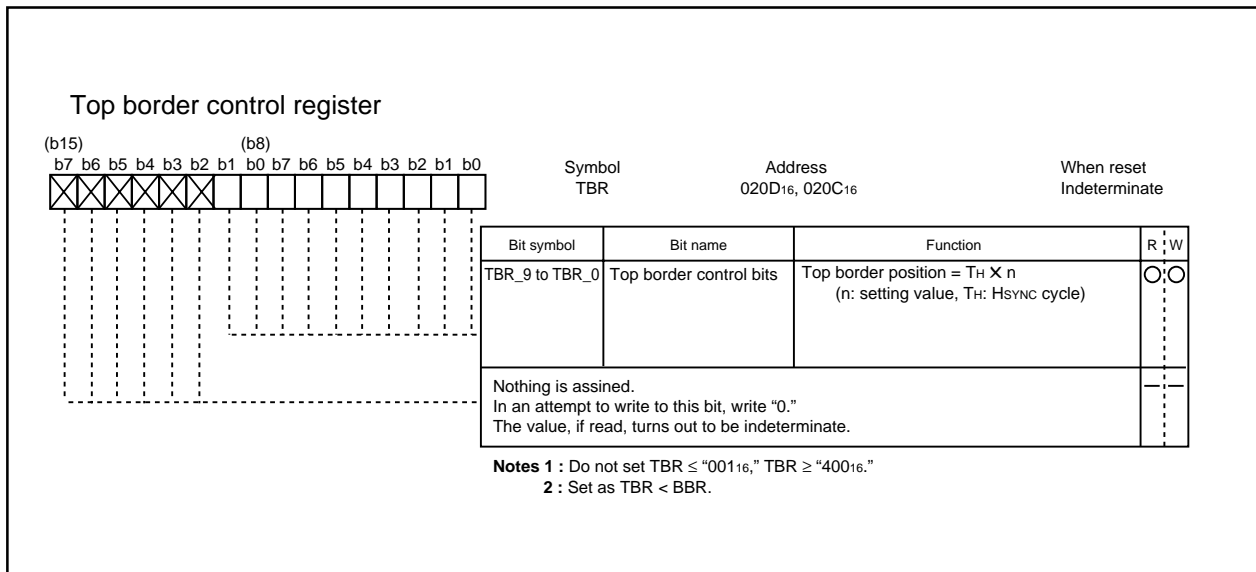


Figure 2.16.47 Top border control register

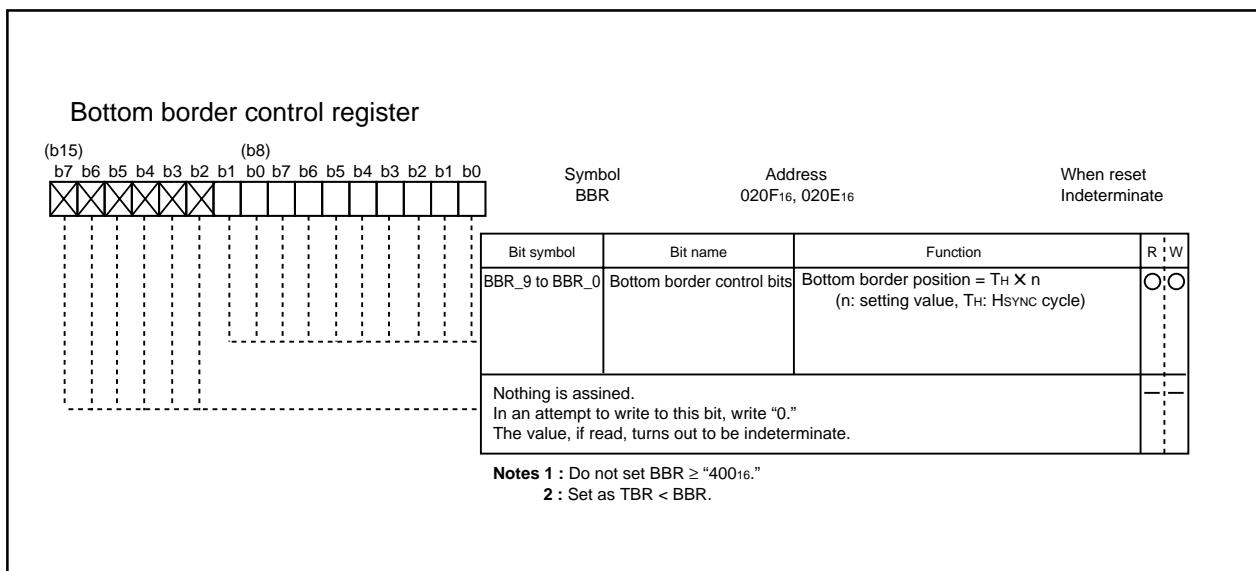


Figure 2.16.48 Bottom border control register

M306V5ME-XXXSP
M306V5EESP

SINGLE-CHIP 16-BIT CMOS MICROCOMPUTER with CLOSED CAPTION DECODER
and ON-SCREEN DISPLAY CONTROLLER

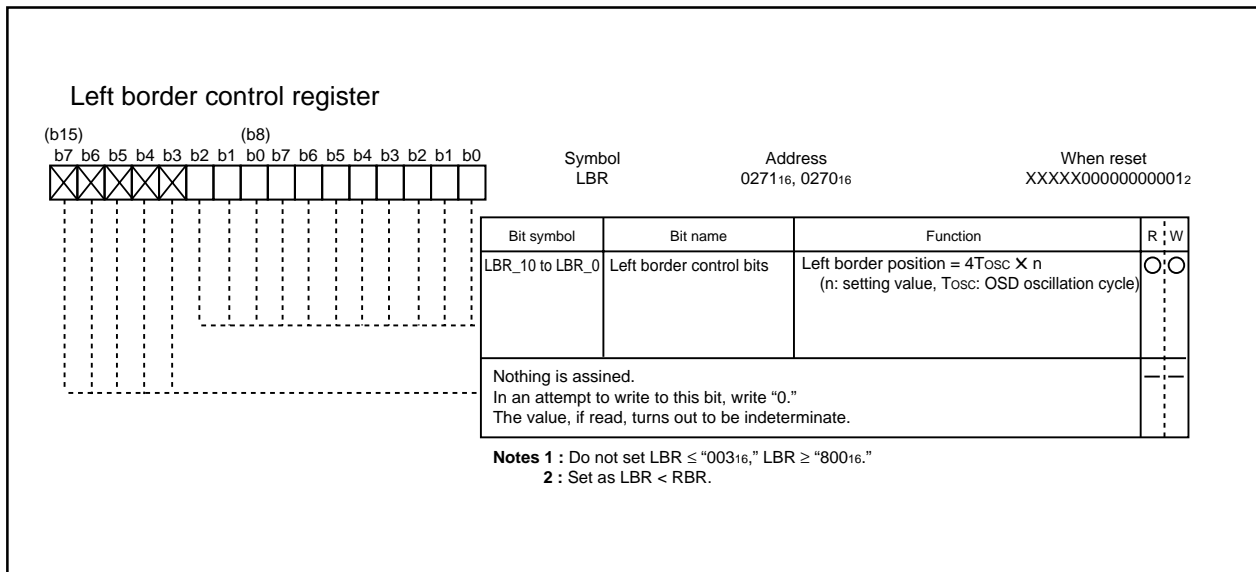


Figure 2.16.49 Left border control register

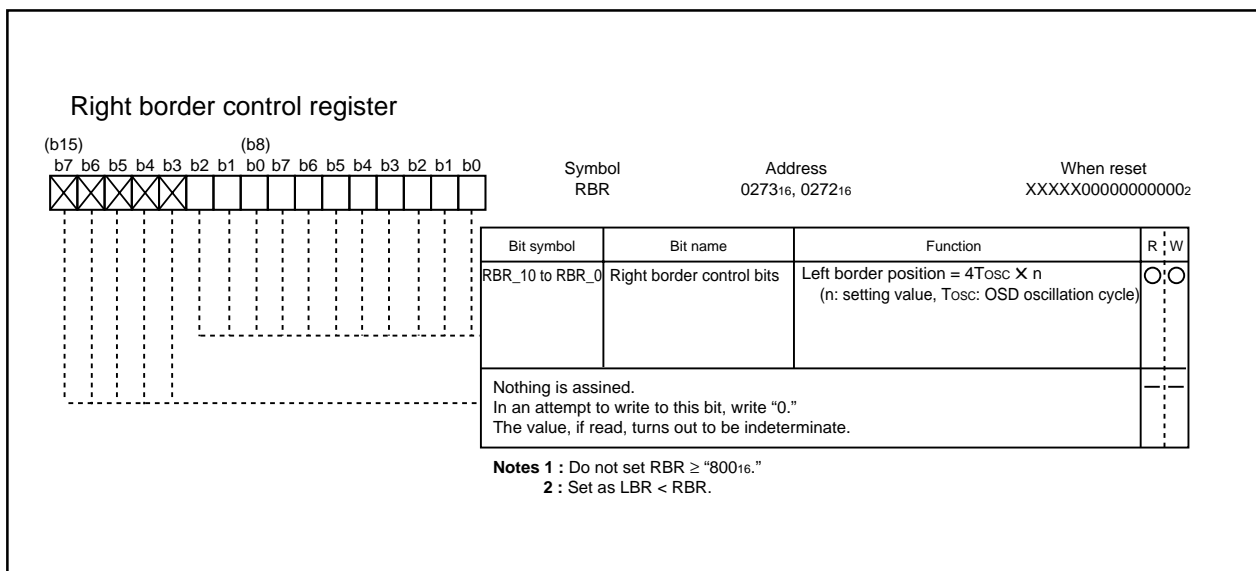


Figure 2.16.50 Bottom border control register

M306V5ME-XXXSP
M306V5EESP

SINGLE-CHIP 16-BIT CMOS MICROCOMPUTER with CLOSED CAPTION DECODER
and ON-SCREEN DISPLAY CONTROLLER

2.16.17 Raster Coloring Function

An entire screen (raster) can be colored by setting the bits 6 to 0 of the raster color register. Since each of the R, G, B, OUT1, and OUT2 pins can be switched to raster coloring output, 512 raster colors can be obtained.

When the character color/the character background color overlaps with the raster color, the color (R, G, B, OUT1, OUT2), specified for the character color/the character background color, takes priority of the raster color. This ensures that the character color/the character background color is not mixed with the raster color.

The raster color register is shown in Figure 2.16.51, the example of raster coloring is shown in Figure 2.16.52.

Note: Raster is not output to the area which includes blank area.

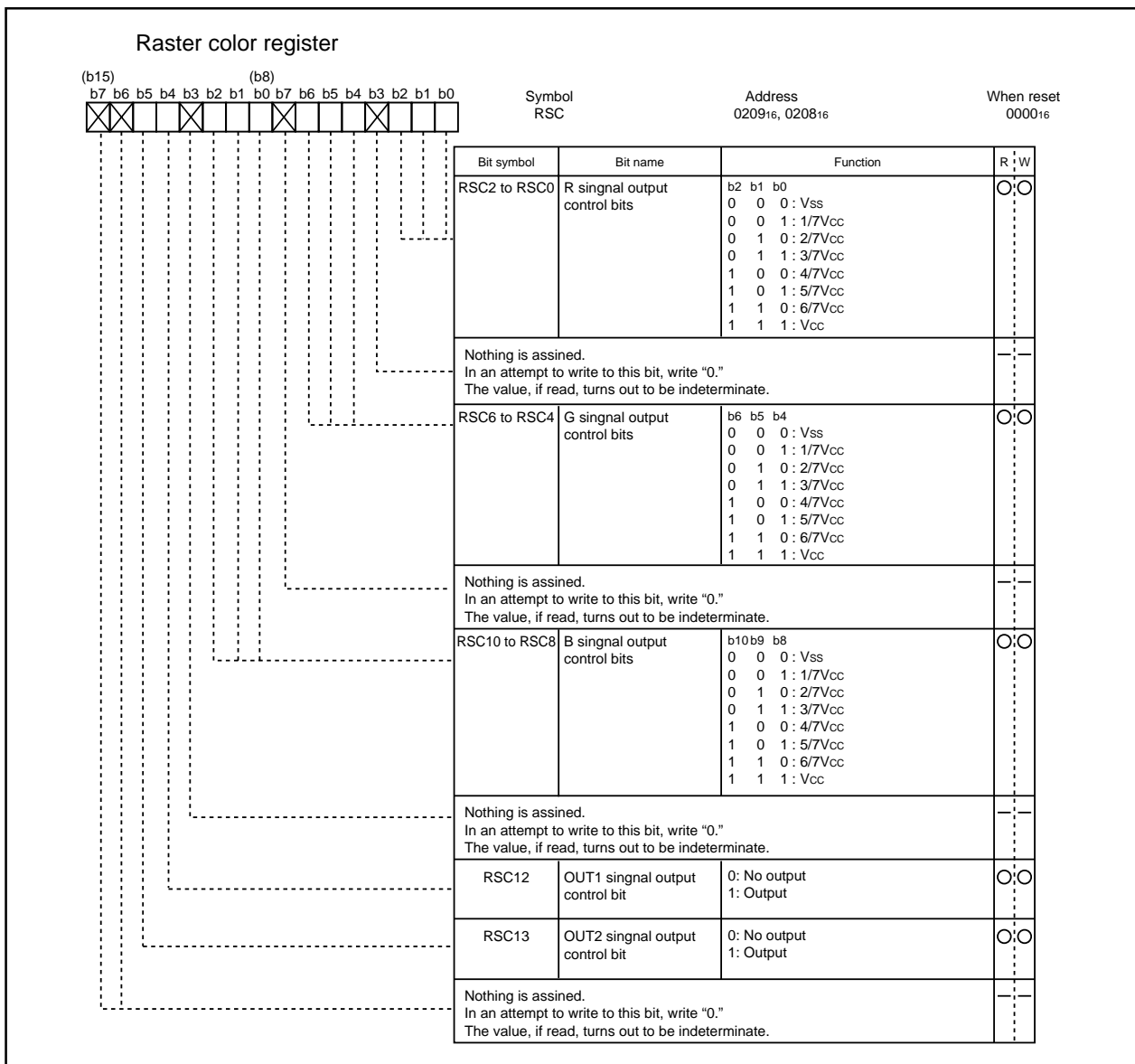


Figure 2.16.51 Raster color register

M306V5ME-XXXSP
M306V5EESP

SINGLE-CHIP 16-BIT CMOS MICROCOMPUTER with CLOSED CAPTION DECODER
and ON-SCREEN DISPLAY CONTROLLER

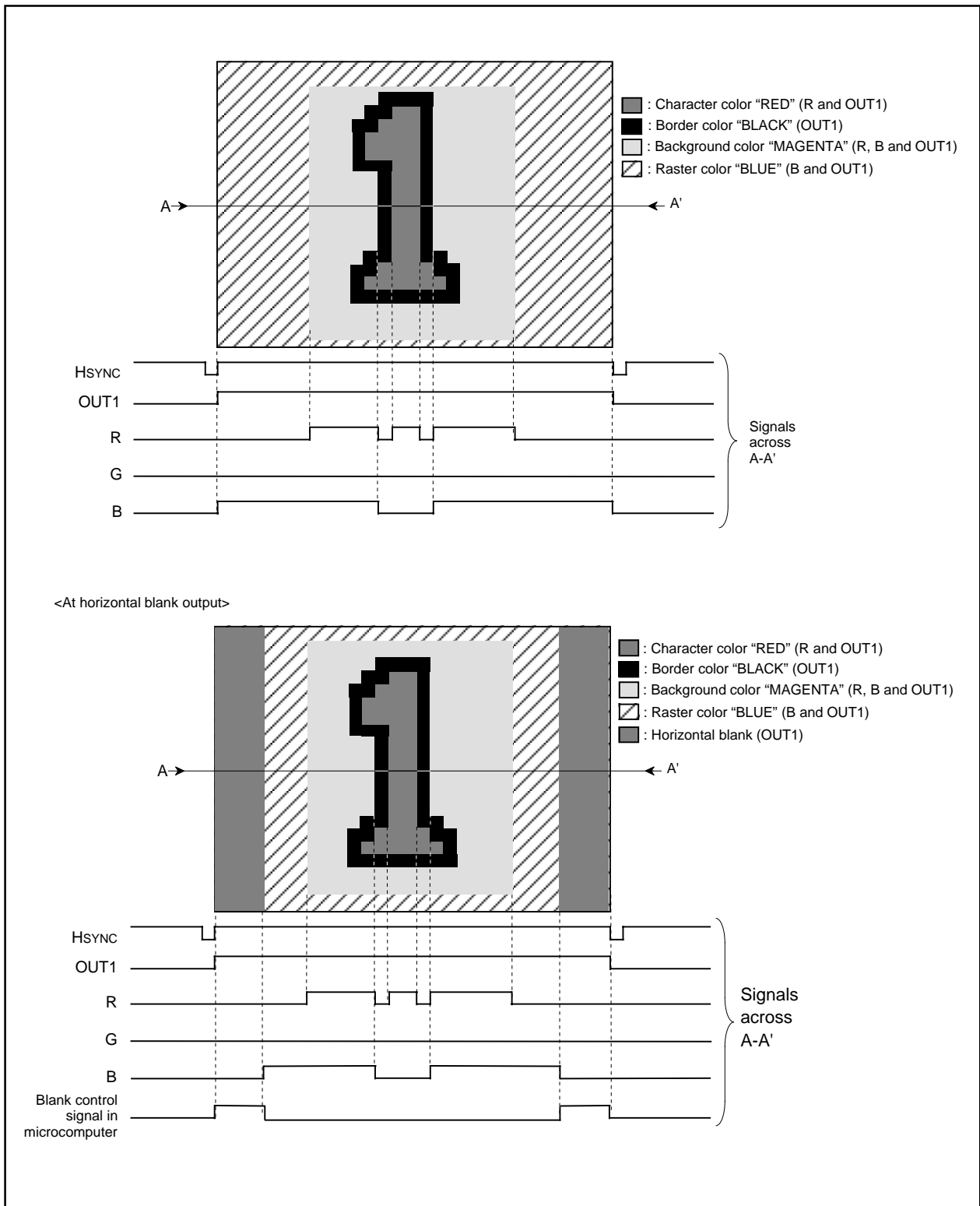


Figure 2.16.52 Example of raster coloring

2.16.18 Scan Mode

This microcomputer has the bi-scan mode for corresponding to HSYNC of double speed frequency. In the bi-scan mode, the vertical start display position and the vertical size is two times as compared with the normal scan mode. The scan mode is selected by bit 1 of the OSD control register 1 (refer to Figure 2.16.3).

Table 2.16.12 Setting for scan mode

Parameter	Scan Mode	Normal Scan	Bi-Scan
Bit 1 of OSD control register 1		0	1
Vertical display start position		Value of vertical position register X 1H	Value of vertical position register X 2H
Vertical dot size		1Tc X 1/2H	1Tc X 1H
		1Tc X 1H	1Tc X 2H
		2Tc X 2H	2Tc X 4H
		3Tc X 3H	3Tc X 6H

2.16.19 R, G, B Signal Output Control

The form of R, G, B signal output is controlled by bit 2 of the OSD control register 2 as the table below.

Table 2.16.13 R, G, B signal output control

Bit 2 of OSD control register 2	Form of R, G, B signal output
0	Each R, G, B pin outputs 2 values (digital output).
1	Each R, G, B pin outputs 8 values (analog output).

M306V5ME-XXXSP
M306V5EESP

SINGLE-CHIP 16-BIT CMOS MICROCOMPUTER with CLOSED CAPTION DECODER
and ON-SCREEN DISPLAY CONTROLLER

2.16.20 OSD Reserved Register

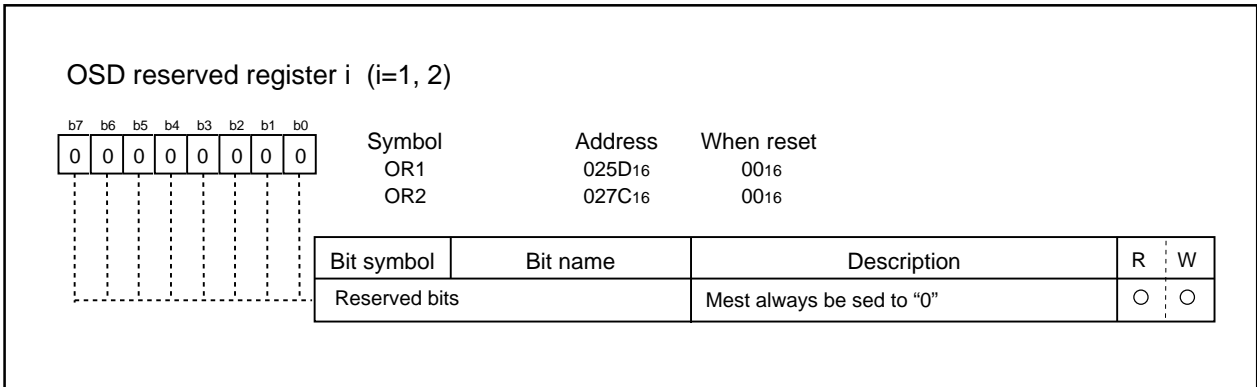


Figure 2.16.53 OSD reserved register i (i=1, 2)

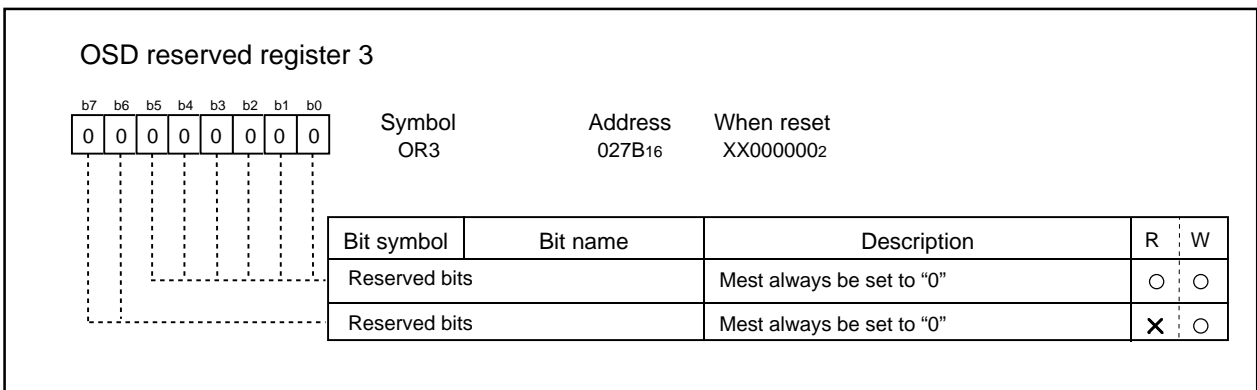


Figure 2.16.54 OSD reserved register 3

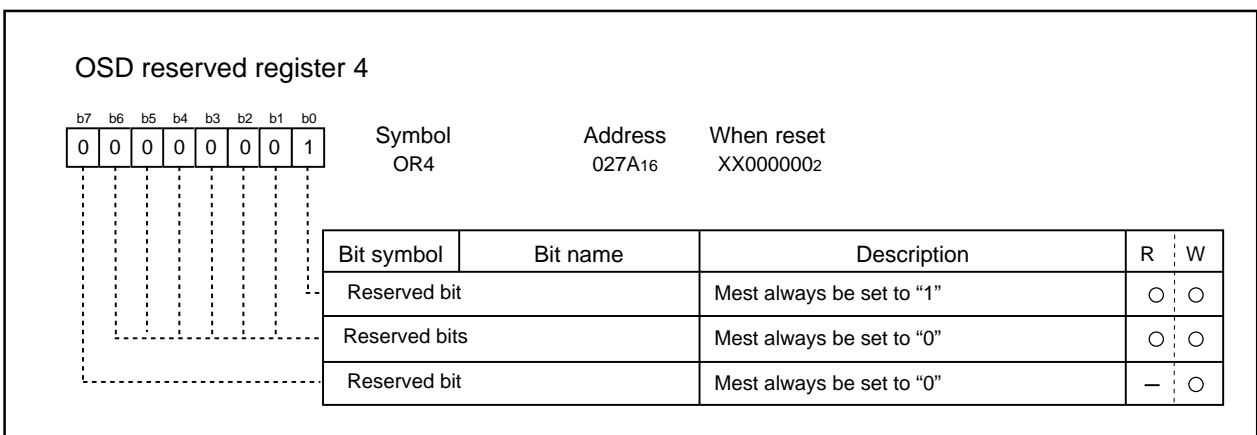


Figure 2.16.55 OSD reserved register 4

2.17 Programmable I/O Ports

There are 46 programmable I/O ports: P00–P07, P20–P27, P30–P37, P40–P43, P50, P52, P53, P62, P63, P67, P70–P72, P74, P76, P82, P90, P93, P94, P100 and P101. Each port can be set independently for input or output using the direction register. A pull-up resistance for each block of 4 ports can be set.

Figures 2.17.1 to 2.17.3 show the programmable I/O ports.

Each pin functions as a programmable I/O port and as the I/O for the built-in peripheral devices.

To use the pins as the inputs for the built-in peripheral devices, set the direction register of each pin to input mode. When the pins are used as the outputs for the built-in peripheral devices (other than the D-A converter), they function as outputs regardless of the contents of the direction registers. When pins are to be used as the outputs for the D-A converter, do not set the direction registers to output mode. See the descriptions of the respective functions for how to set up the built-in peripheral devices.

2.17.1 Direction Registers

Figures 2.17.5 to 2.17.12 show the direction registers.

These registers are used to choose the direction of the programmable I/O ports. Each bit in these registers corresponds one for one to each I/O pin.

(1) Effect of the protection register

Data written to the direction register of P9 is affected by the protection register. The direction register of P9 cannot be easily written.

2.17.2 Port Registers

Figures 2.17.13 to 2.17.20 show the port registers.

These registers are used to write and read data for input and output to and from an external device. A port register consists of a port latch to hold output data and a circuit to read the status of a pin. Each bit in port registers corresponds one for one to each I/O pin.

(1) Reading a port register

With the direction register set to output, reading a port register takes out the content of the port register, not the content of the pin. With the direction register set to input, reading the port register takes out the content of the pin.

(2) Writing to a port register

With the direction register set to output, the level of the written values from each relevant pin is output by writing to a port register. Writing to the port register, with the direction register set to input, inputs a value to the port register, but nothing is output to the relevant pins. The output level remains floating.

2.17.3 Pull-up Control Registers

Figures 2.17.24 to 2.17.26 show the pull-up control registers.

The pull-up control register can be set to apply a pull-up resistance to each block of 4 ports. When ports are set to have a pull-up resistance, the pull-up resistance is connected only when the direction register is set for input.

M306V5ME-XXXSP
M306V5EESP

SINGLE-CHIP 16-BIT CMOS MICROCOMPUTER with CLOSED CAPTION DECODER
and ON-SCREEN DISPLAY CONTROLLER

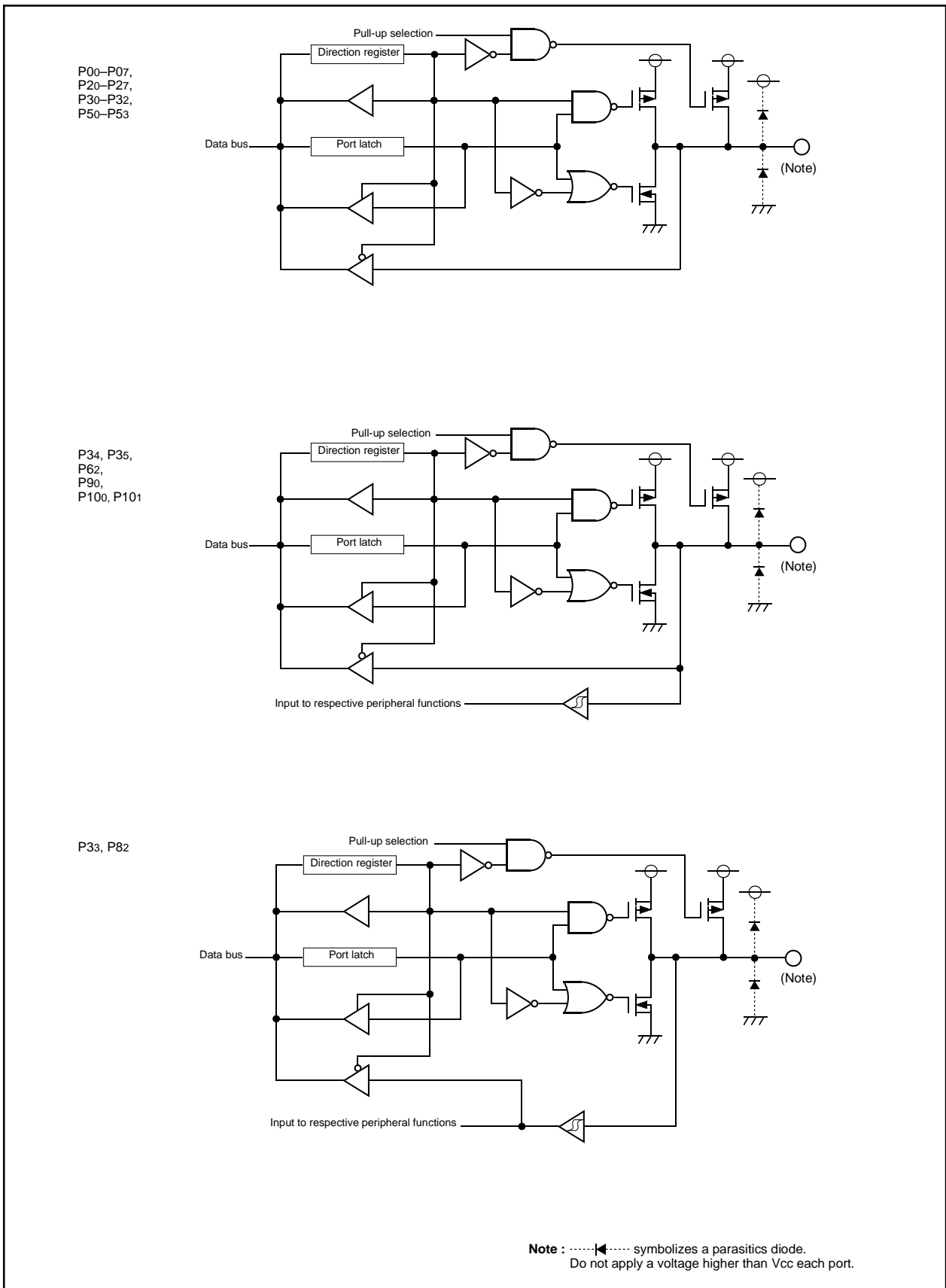


Figure 2.17.1 Programmable I/O ports (1)

M306V5ME-XXXSP
M306V5EESP

SINGLE-CHIP 16-BIT CMOS MICROCOMPUTER with CLOSED CAPTION DECODER
and ON-SCREEN DISPLAY CONTROLLER

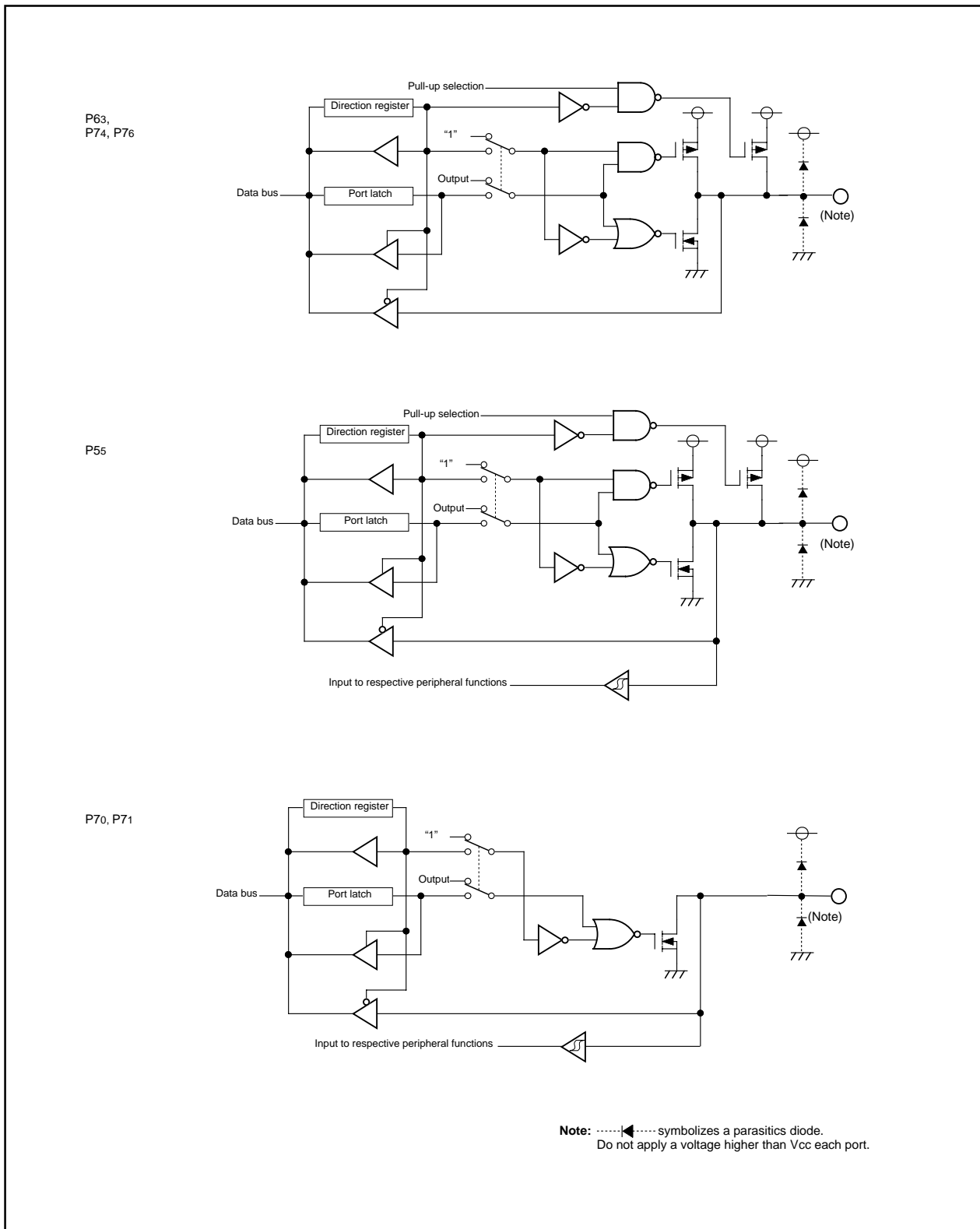


Figure 2.17.2 Programmable I/O ports (2)

M306V5ME-XXXSP
M306V5EESP

SINGLE-CHIP 16-BIT CMOS MICROCOMPUTER with CLOSED CAPTION DECODER
and ON-SCREEN DISPLAY CONTROLLER

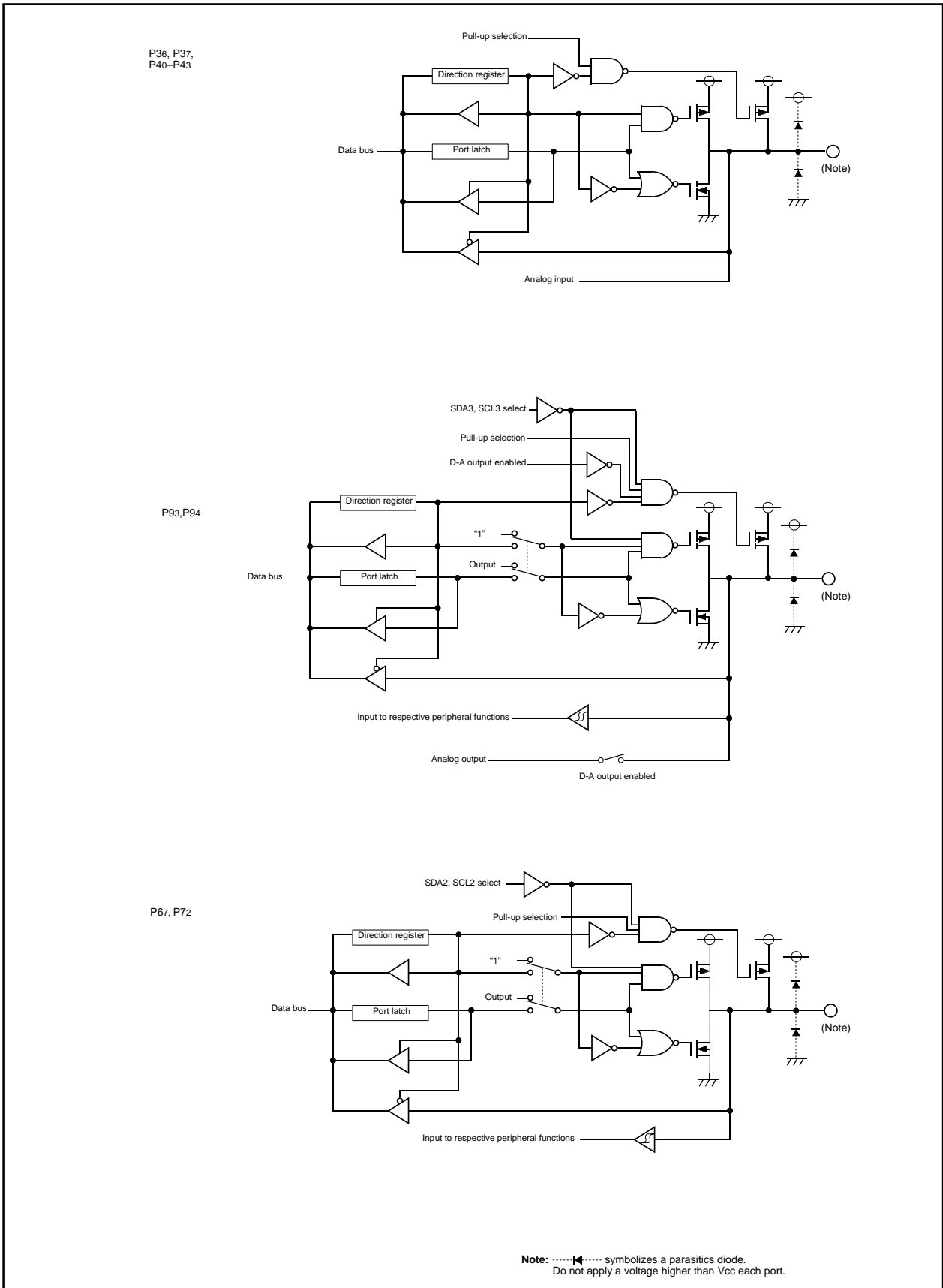


Figure 2.17.3 Programmable I/O ports (3)

M306V5ME-XXXSP
M306V5EESP

SINGLE-CHIP 16-BIT CMOS MICROCOMPUTER with CLOSED CAPTION DECODER
and ON-SCREEN DISPLAY CONTROLLER

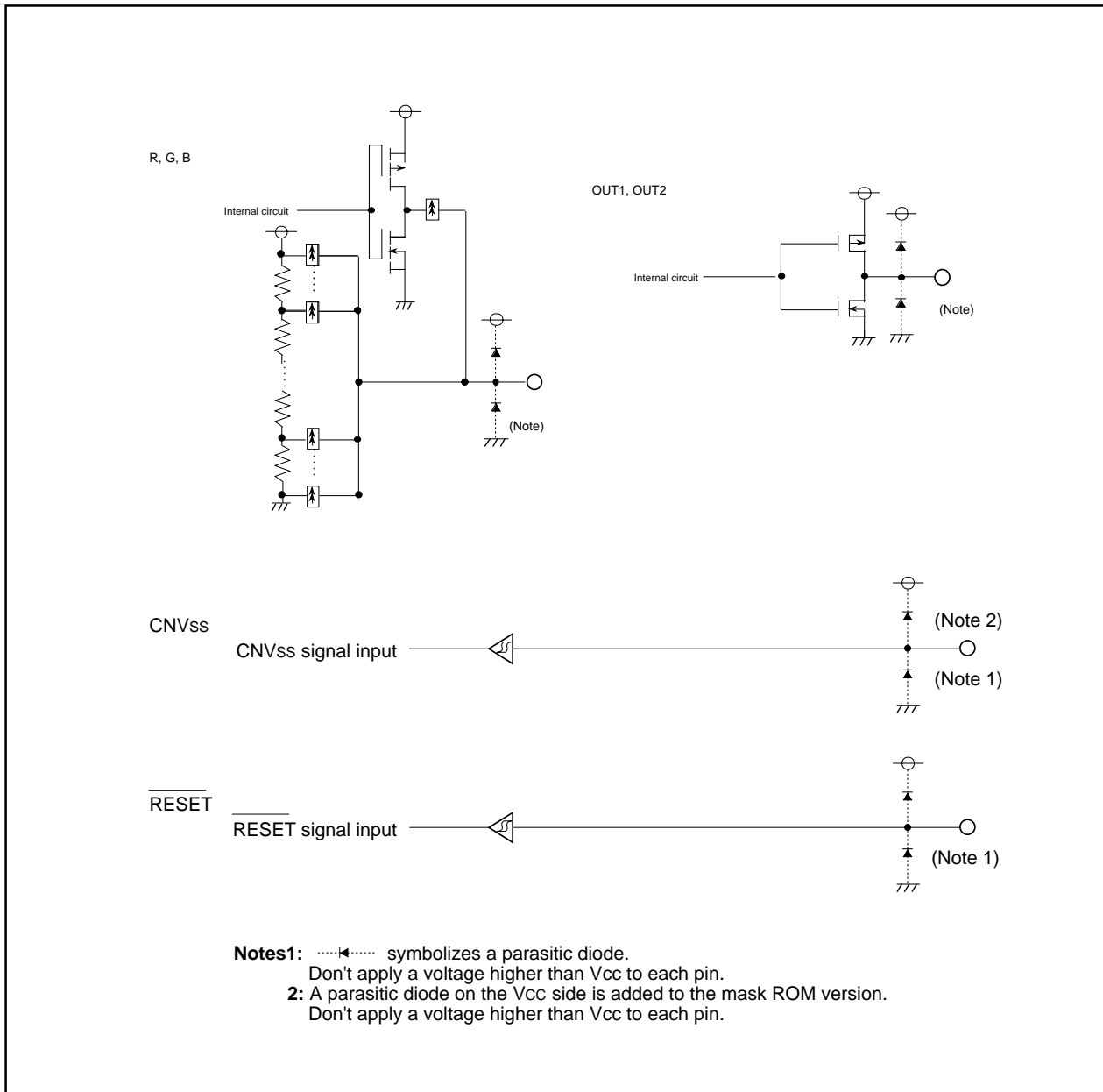


Figure 2.17.4 I/O pins

M306V5ME-XXXSP
M306V5EESP

SINGLE-CHIP 16-BIT CMOS MICROCOMPUTER with CLOSED CAPTION DECODER
and ON-SCREEN DISPLAY CONTROLLER

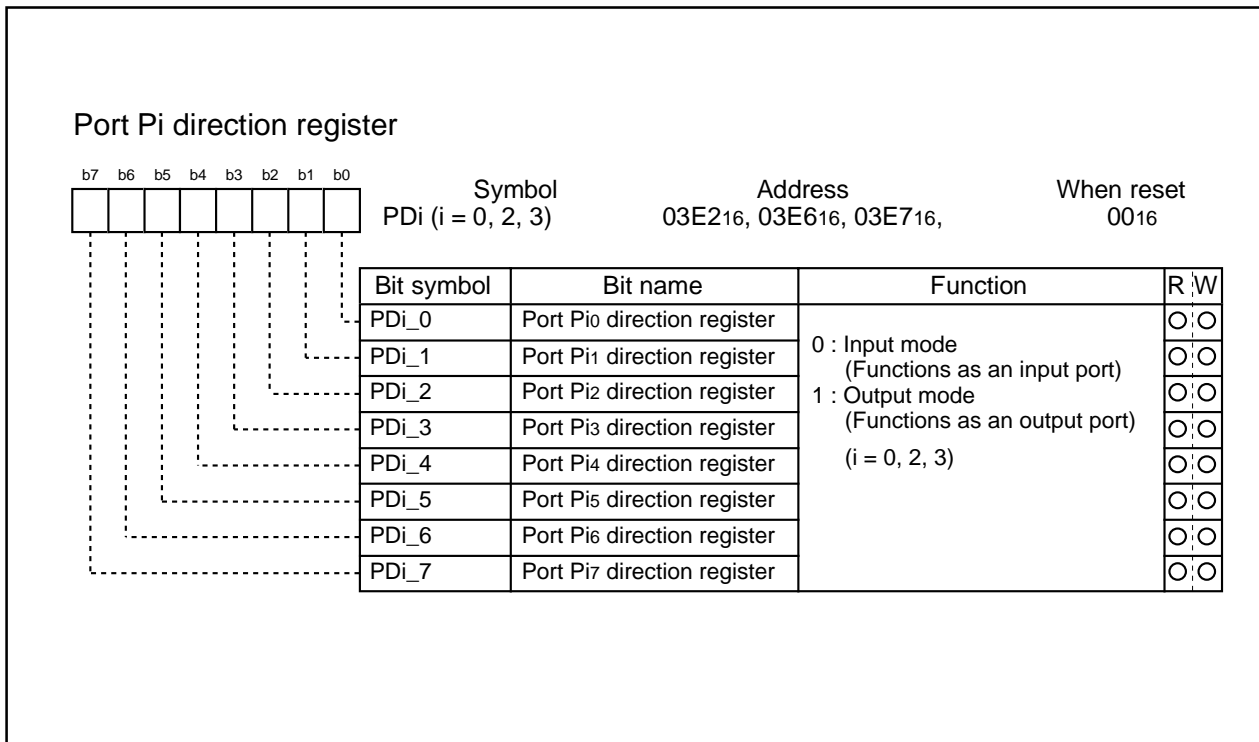


Figure 2.17.5 Port Pi direction register ($i = 0, 2, 3$)

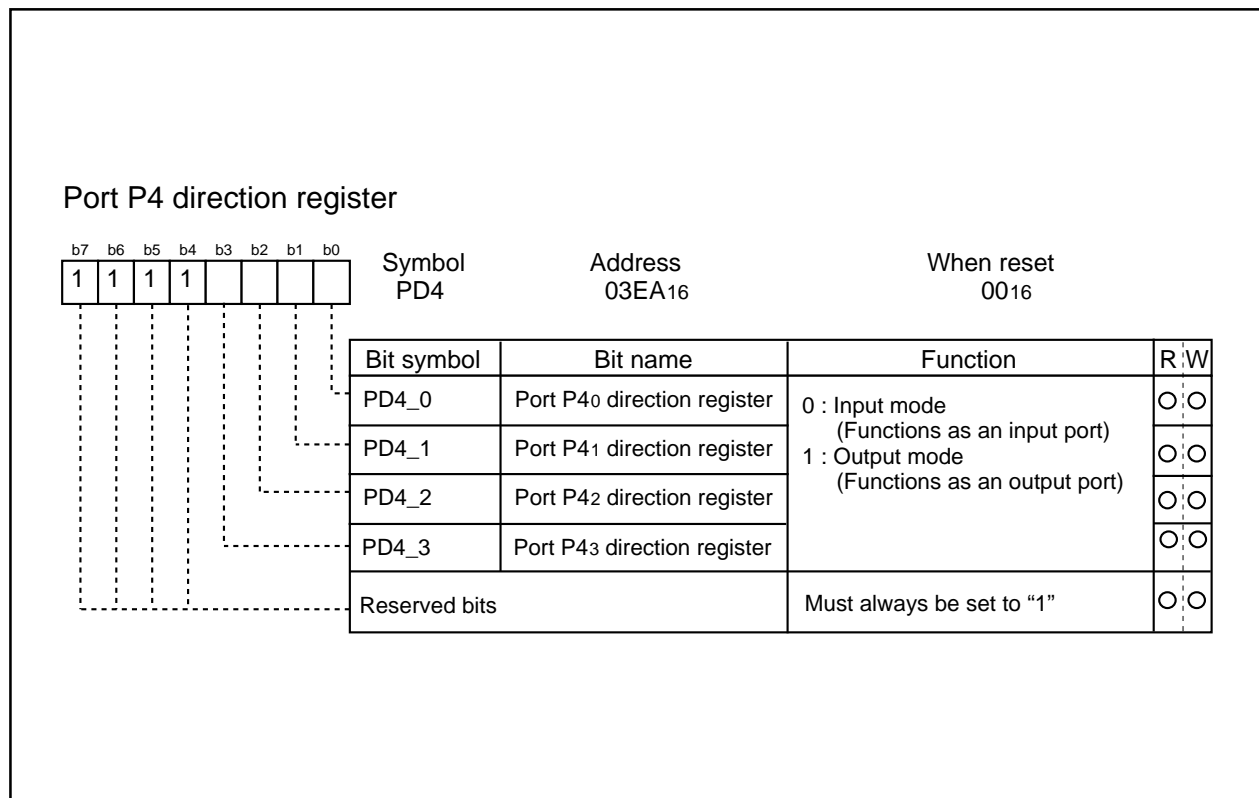


Figure 2.17.6 Port P4 direction register

M306V5ME-XXXSP
M306V5EESP

SINGLE-CHIP 16-BIT CMOS MICROCOMPUTER with CLOSED CAPTION DECODER
and ON-SCREEN DISPLAY CONTROLLER

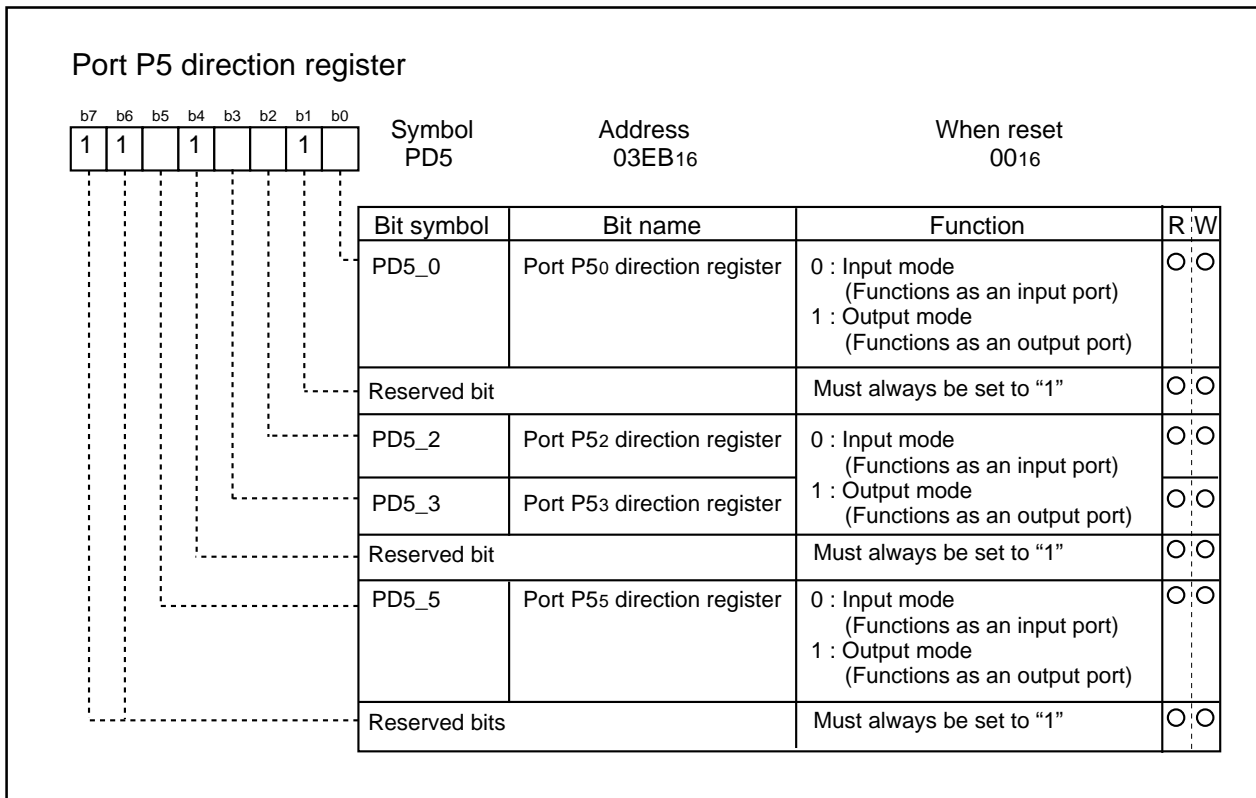


Figure 2.17.7 Port P5 direction register

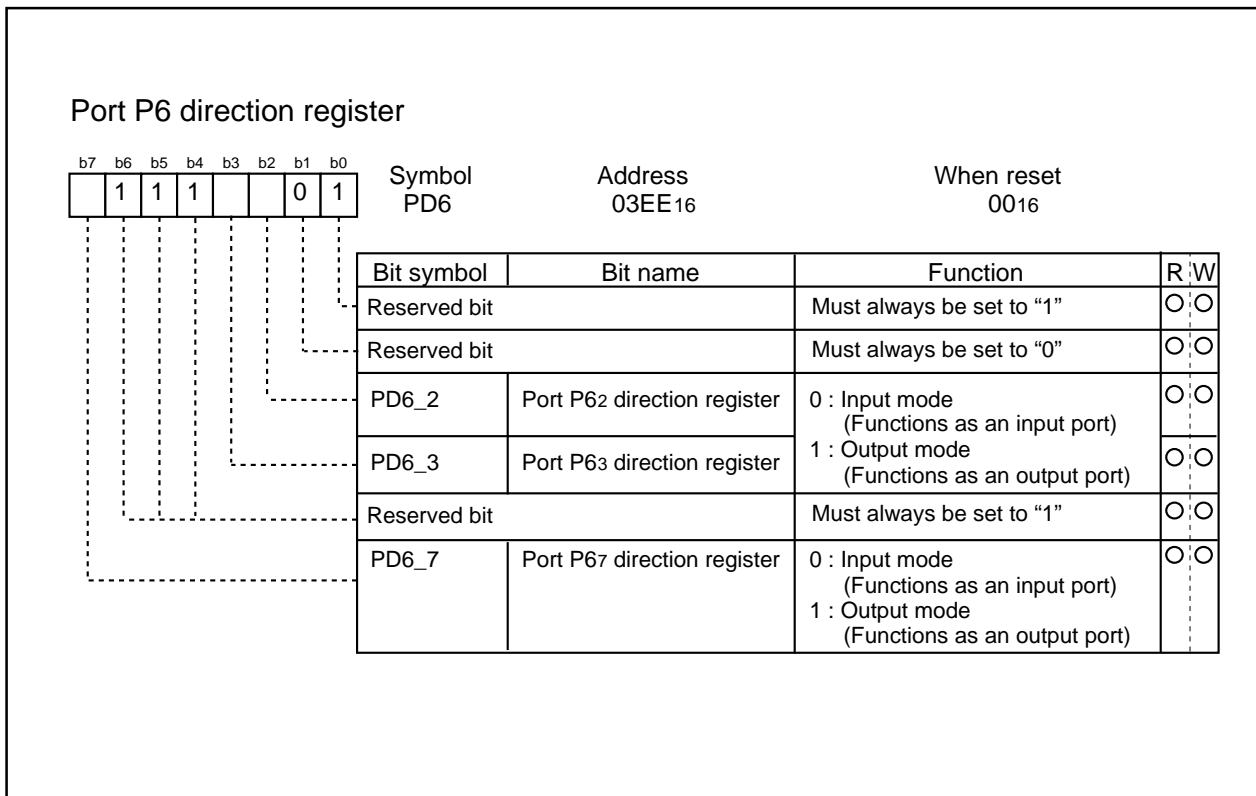


Figure 2.17.8 Port P6 direction register

M306V5ME-XXXSP
M306V5EESP

SINGLE-CHIP 16-BIT CMOS MICROCOMPUTER with CLOSED CAPTION DECODER
and ON-SCREEN DISPLAY CONTROLLER

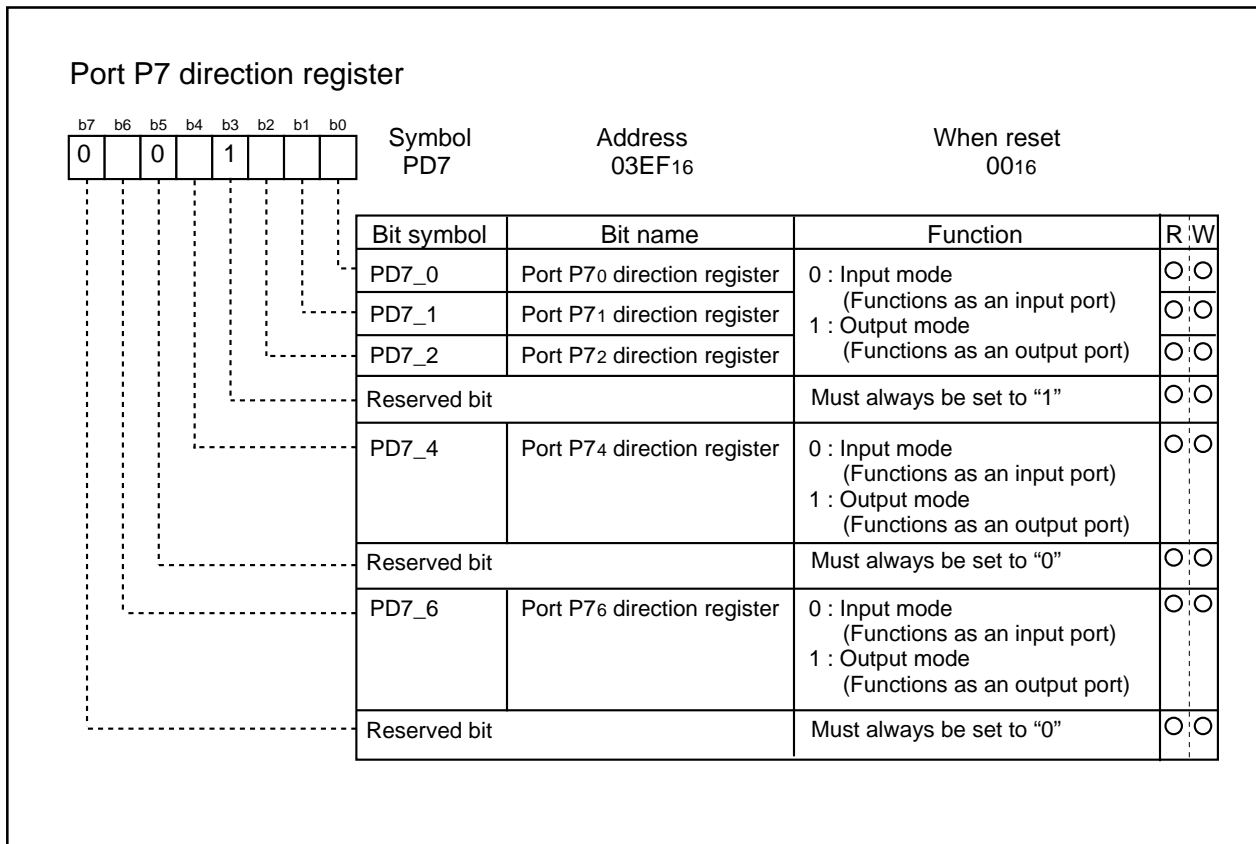


Figure 2.17.9 Port P7 direction register

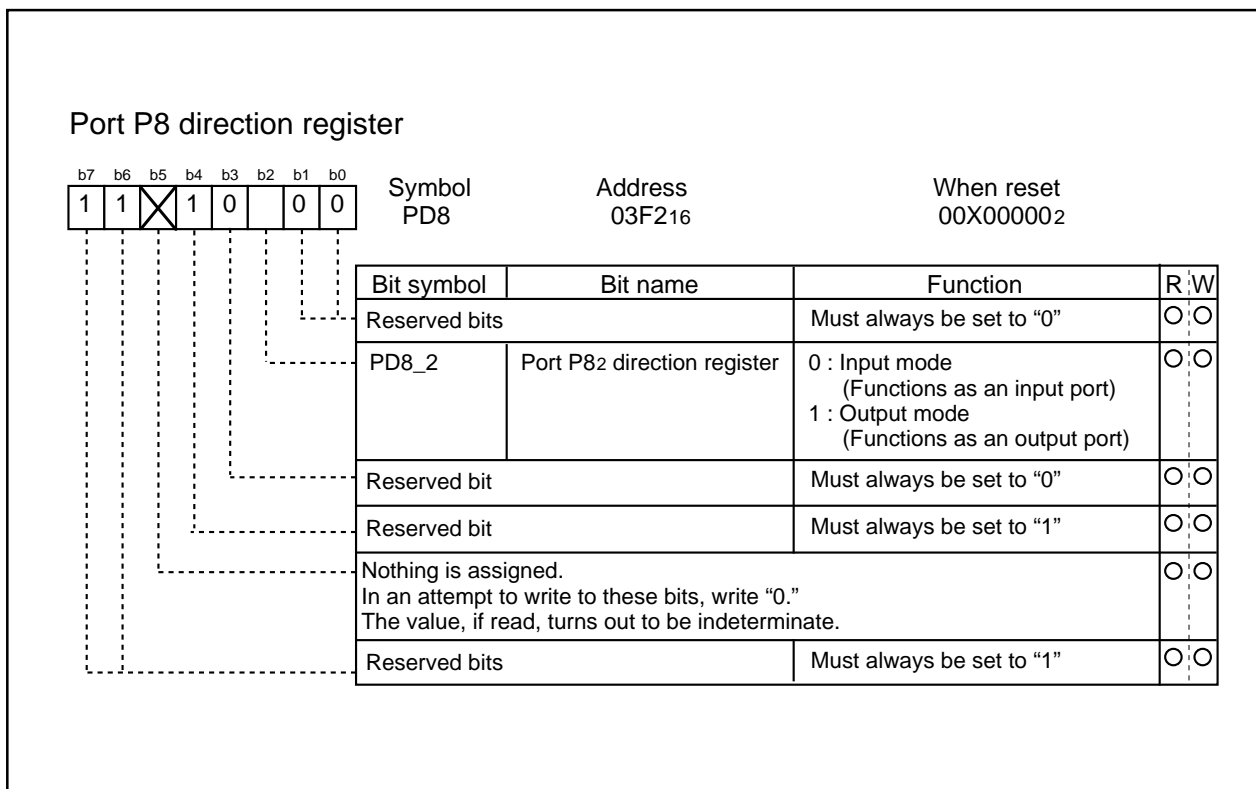


Figure 2.17.10 Port P8 direction register

M306V5ME-XXXSP
M306V5EESP

SINGLE-CHIP 16-BIT CMOS MICROCOMPUTER with CLOSED CAPTION DECODER
and ON-SCREEN DISPLAY CONTROLLER

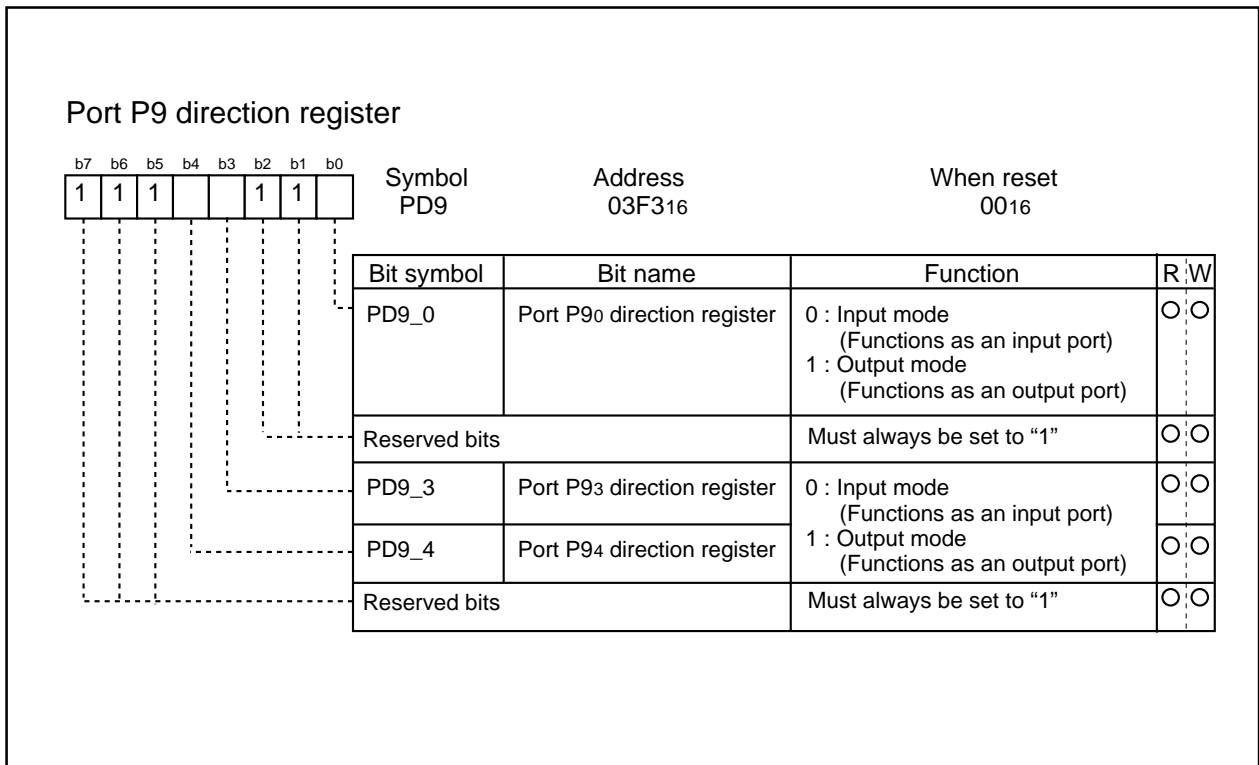


Figure 2.17.11 Port P9 direction register

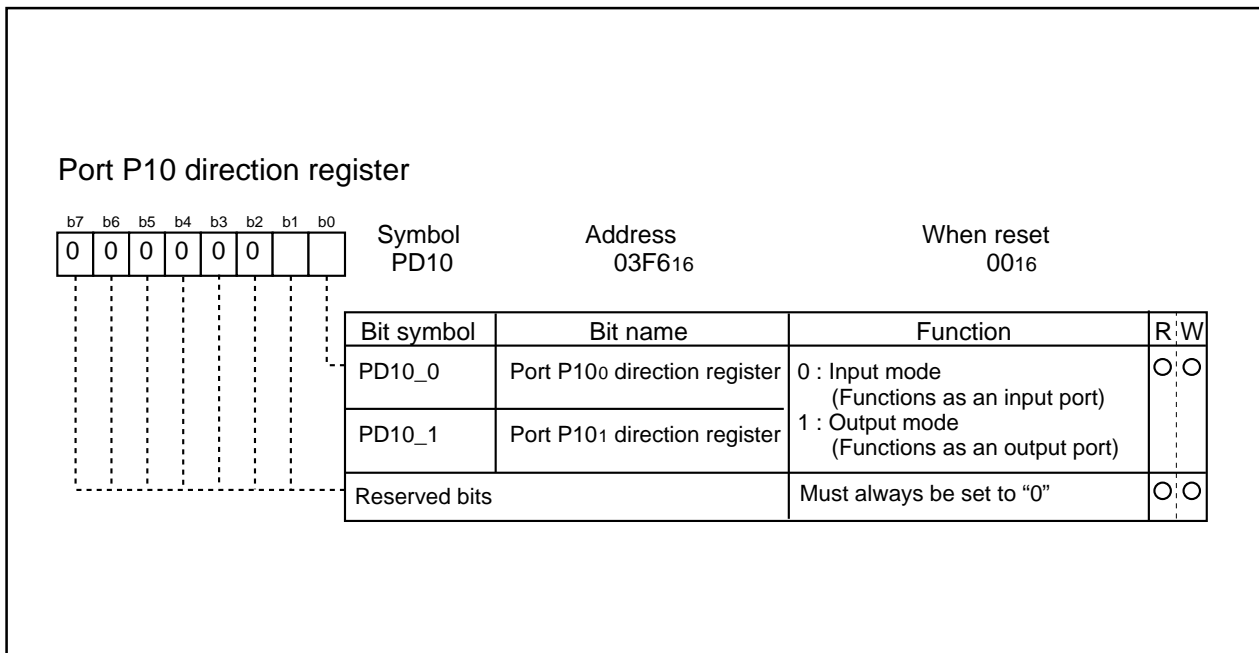


Figure 2.17.12 Port P10 direction register

M306V5ME-XXXSP
M306V5EESP

SINGLE-CHIP 16-BIT CMOS MICROCOMPUTER with CLOSED CAPTION DECODER
and ON-SCREEN DISPLAY CONTROLLER

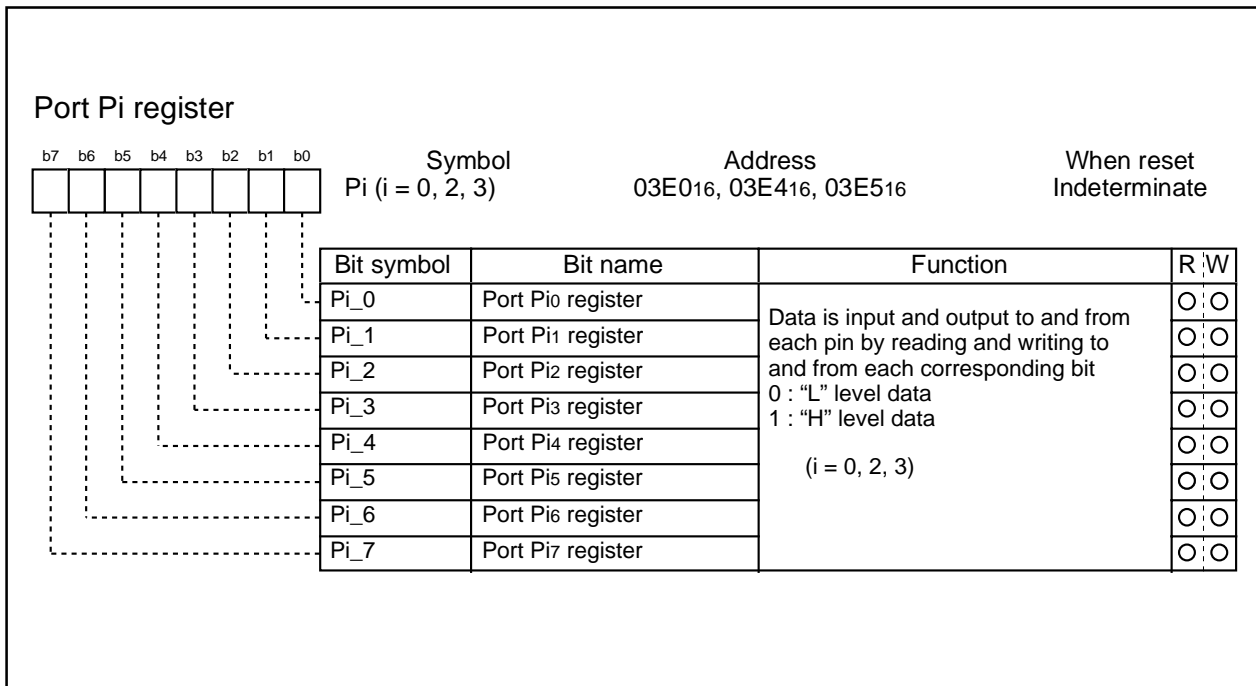


Figure 2.17.13 Port Pi register (i = 0, 2, 3)

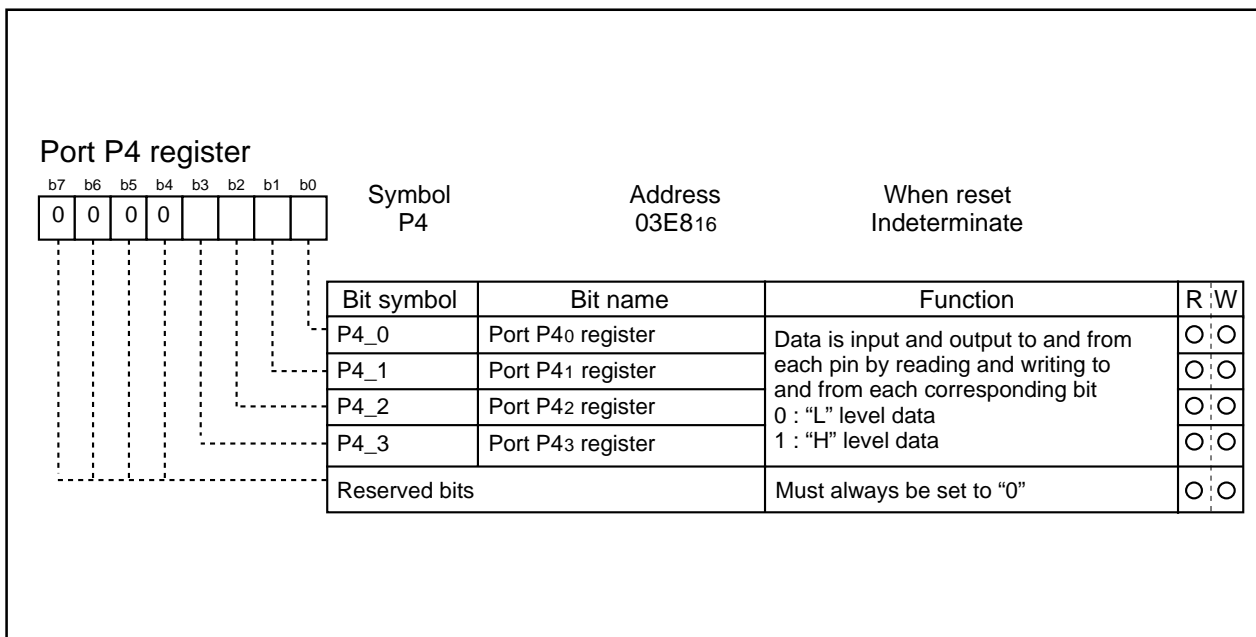


Figure 2.17.14 Port P4 register

M306V5ME-XXXSP
M306V5EESP

SINGLE-CHIP 16-BIT CMOS MICROCOMPUTER with CLOSED CAPTION DECODER
and ON-SCREEN DISPLAY CONTROLLER

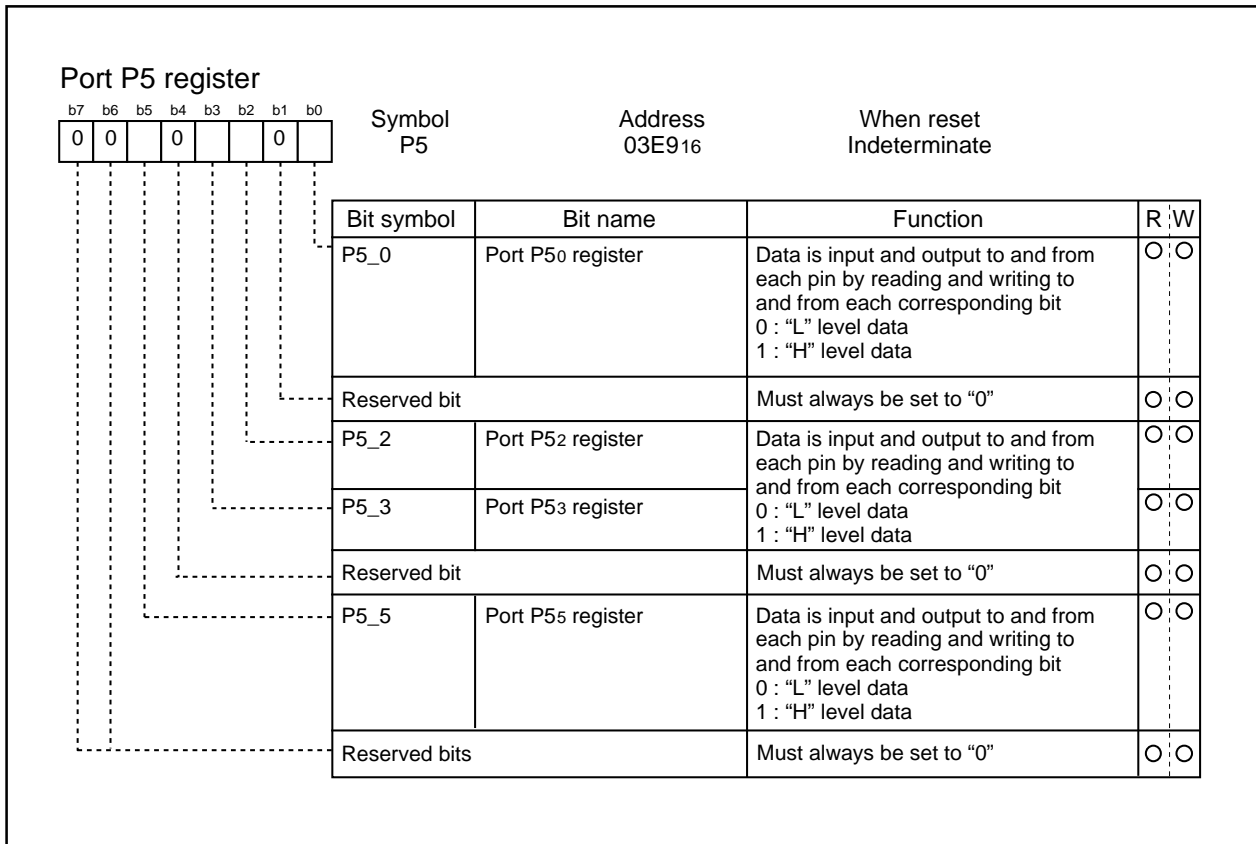


Figure 2.17.15 Port P5 register

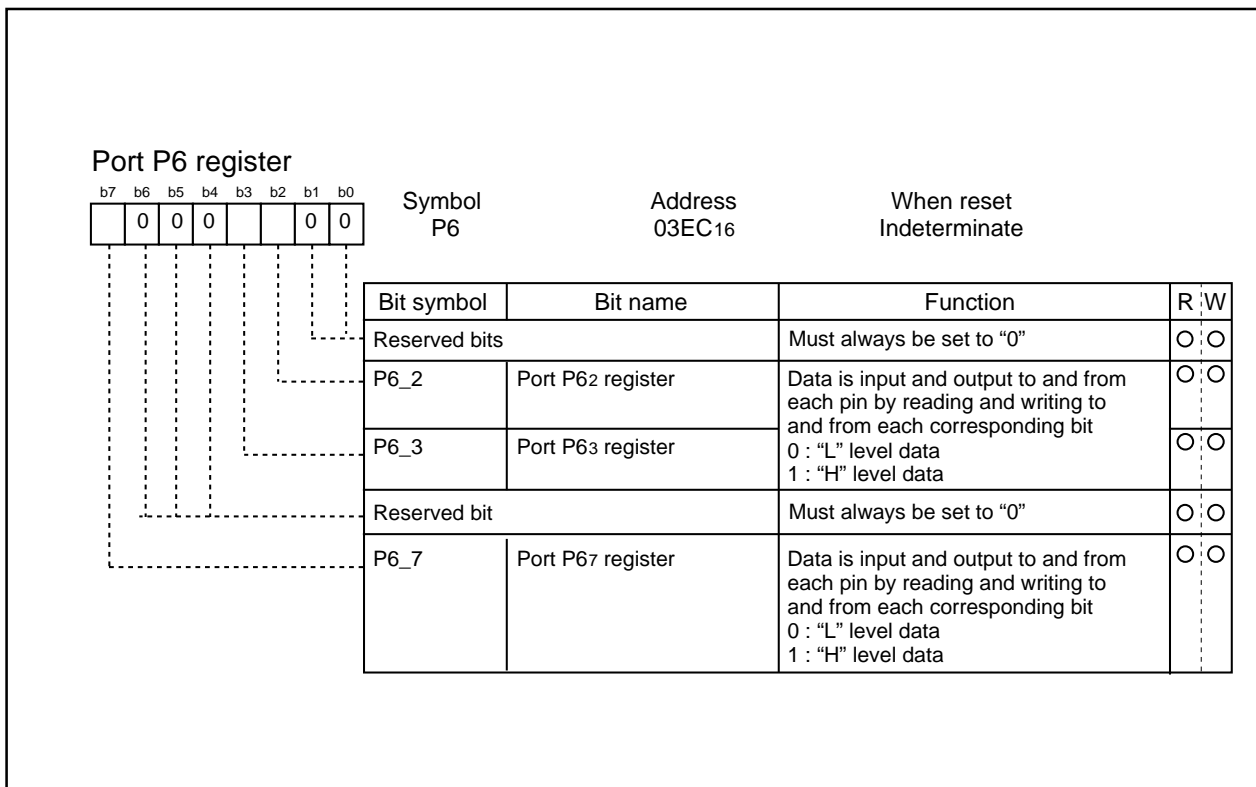


Figure 2.17.16 Port P6 register

M306V5ME-XXXSP
M306V5EESP

SINGLE-CHIP 16-BIT CMOS MICROCOMPUTER with CLOSED CAPTION DECODER
and ON-SCREEN DISPLAY CONTROLLER

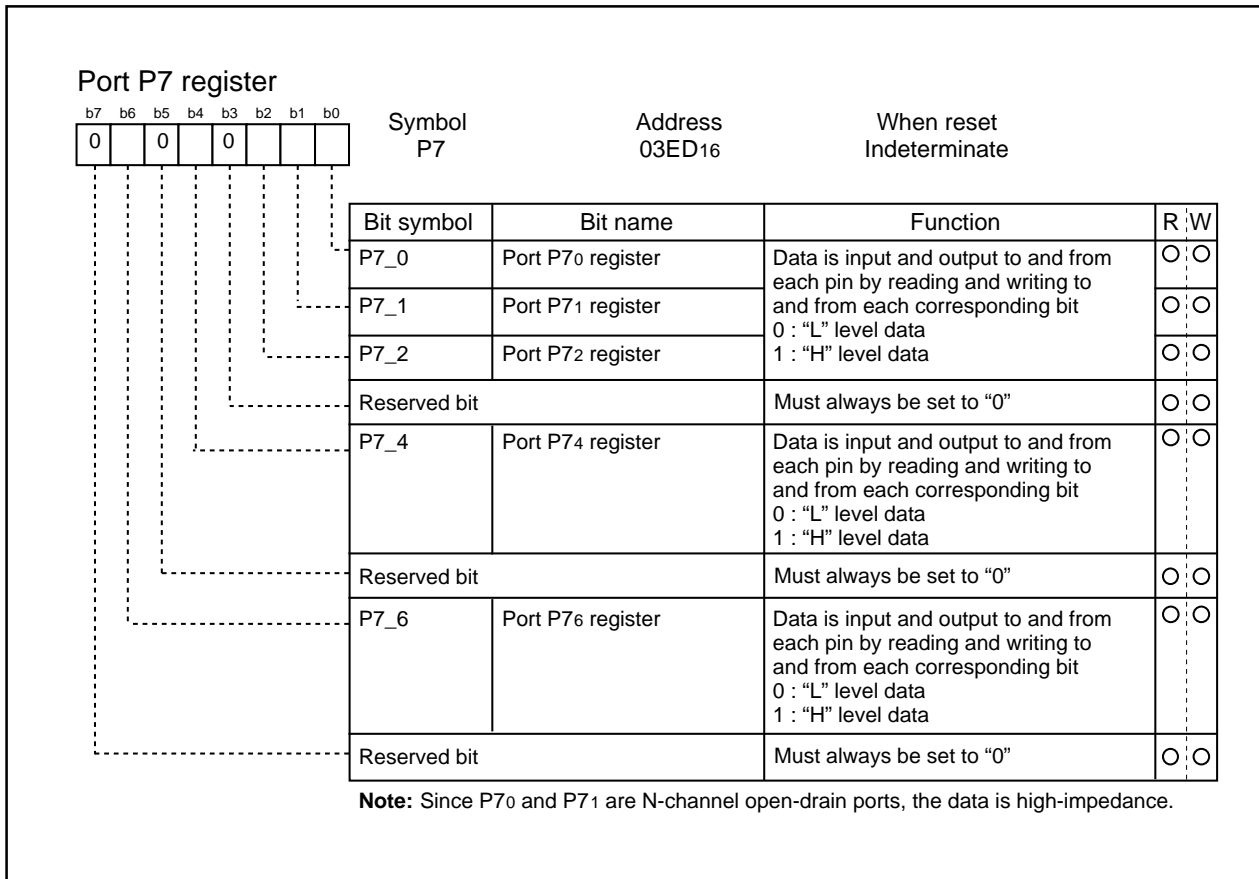


Figure 2.17.17 Port P7 register

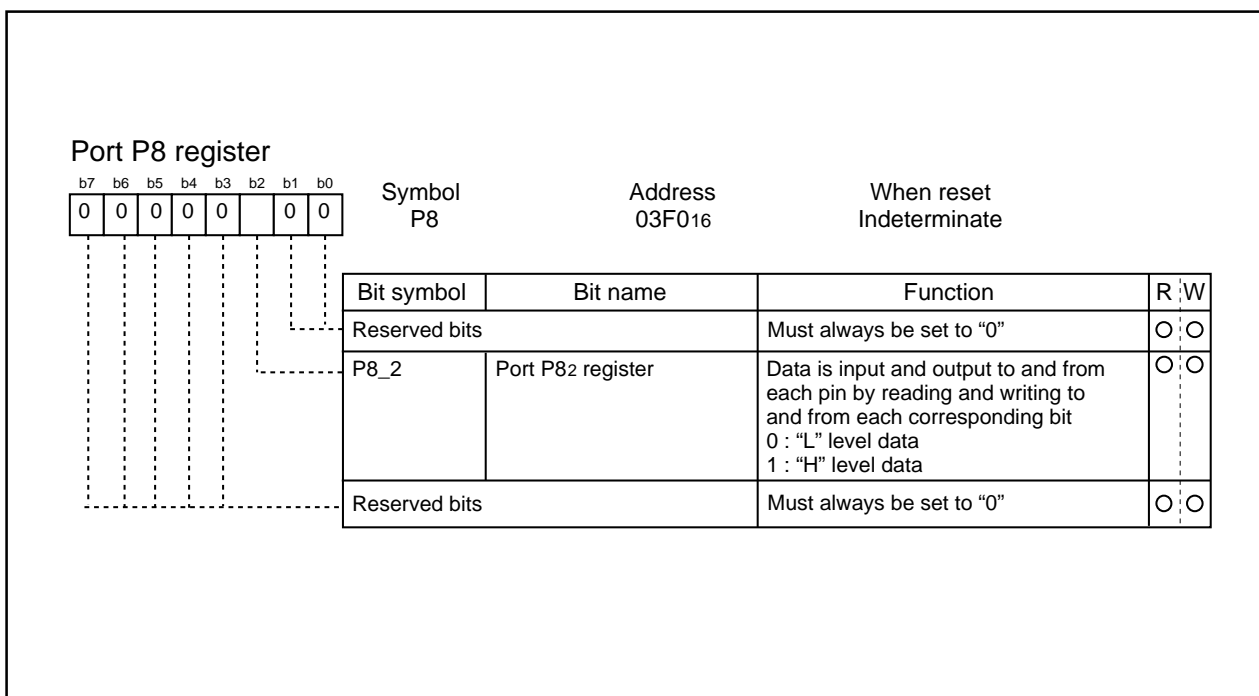


Figure 2.17.18 Port P8 register

M306V5ME-XXXSP
M306V5EESP

SINGLE-CHIP 16-BIT CMOS MICROCOMPUTER with CLOSED CAPTION DECODER
and ON-SCREEN DISPLAY CONTROLLER

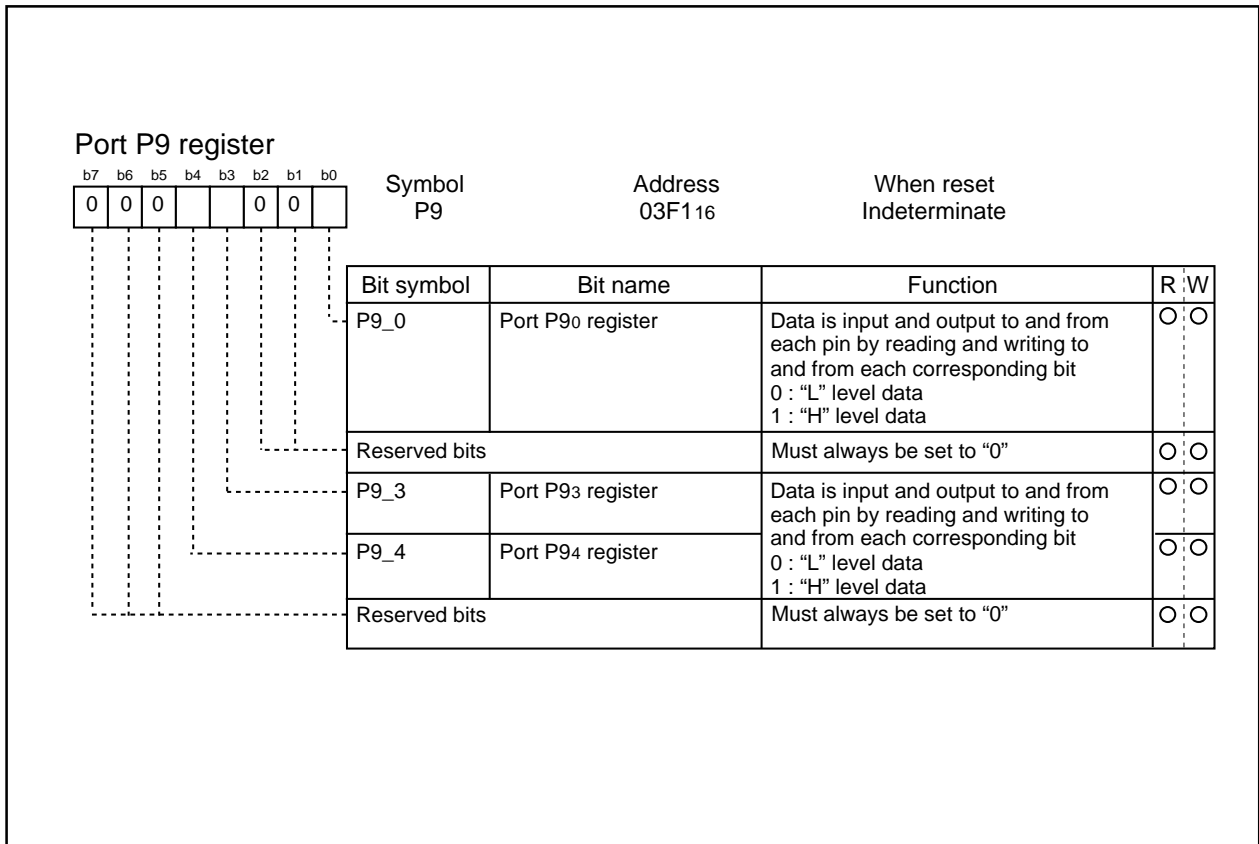


Figure 2.17.19 Port P9 register

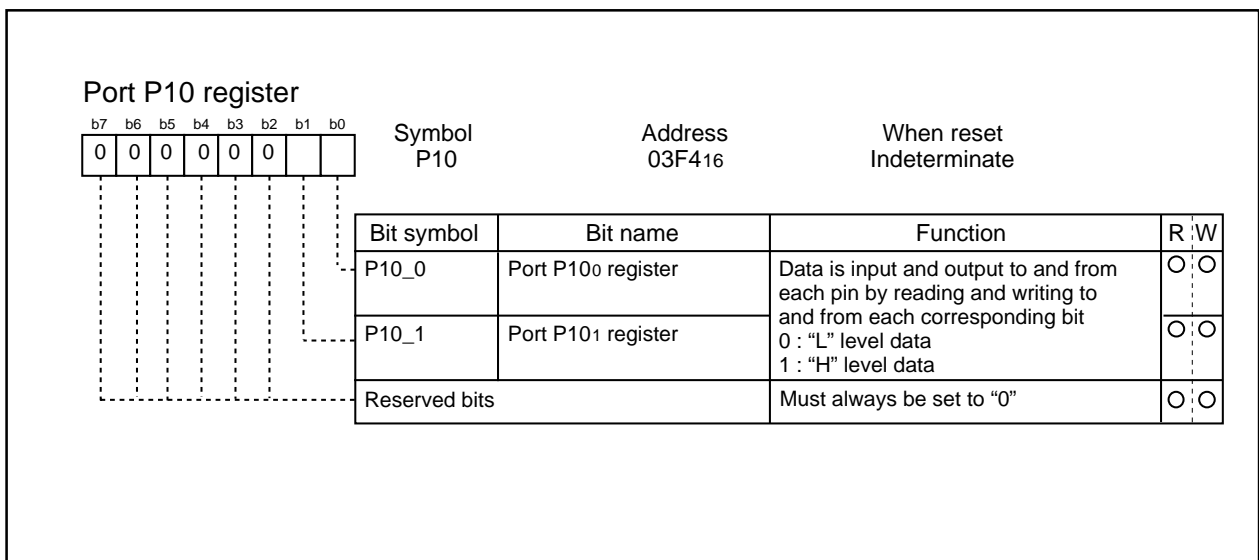


Figure 2.17.20 Port P10 register

M306V5ME-XXXSP
M306V5EESP

SINGLE-CHIP 16-BIT CMOS MICROCOMPUTER with CLOSED CAPTION DECODER
and ON-SCREEN DISPLAY CONTROLLER

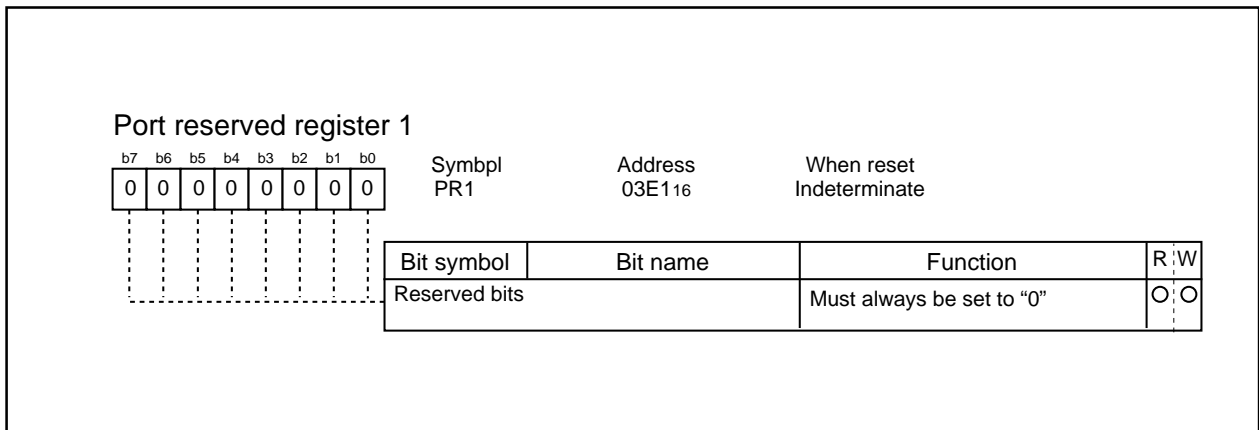


Figure 2.17.21 Port reserved register 1

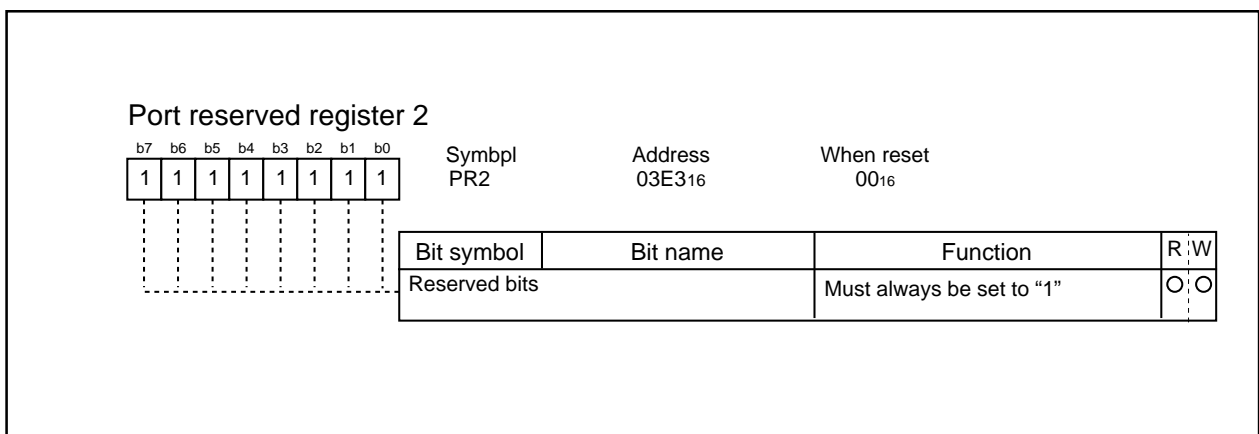


Figure 2.17.22 Port reserved register 2

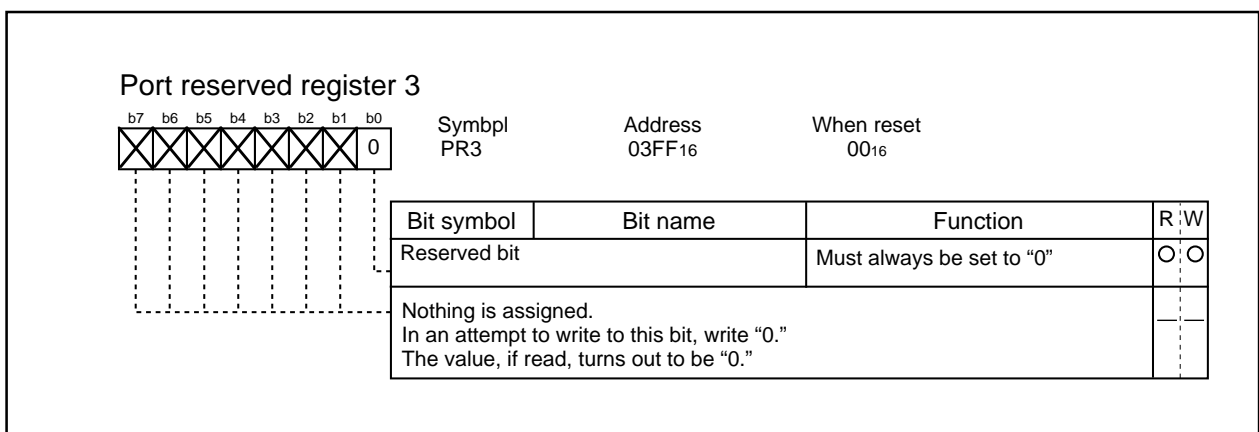


Figure 2.17.23 Port reserved register 3

M306V5ME-XXXSP
M306V5EESP

SINGLE-CHIP 16-BIT CMOS MICROCOMPUTER with CLOSED CAPTION DECODER
and ON-SCREEN DISPLAY CONTROLLER

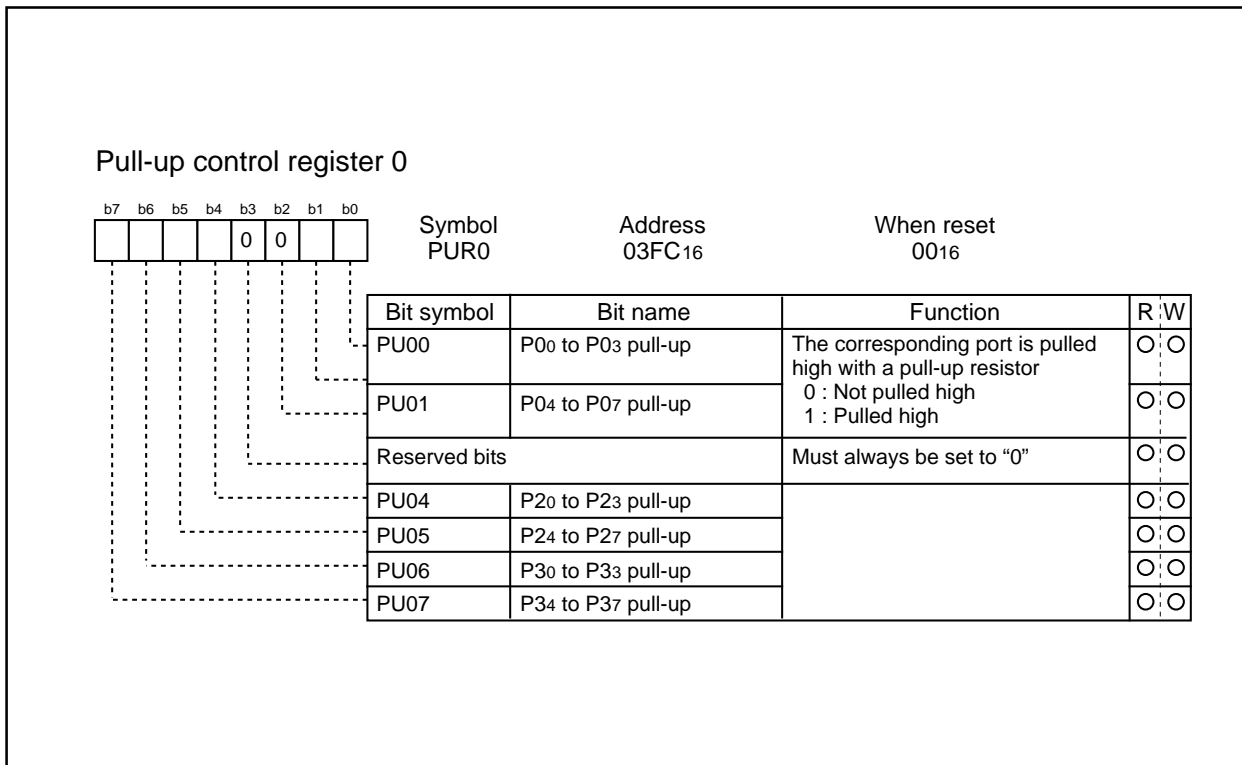


Figure 2.17.24 Pull-up control register 0

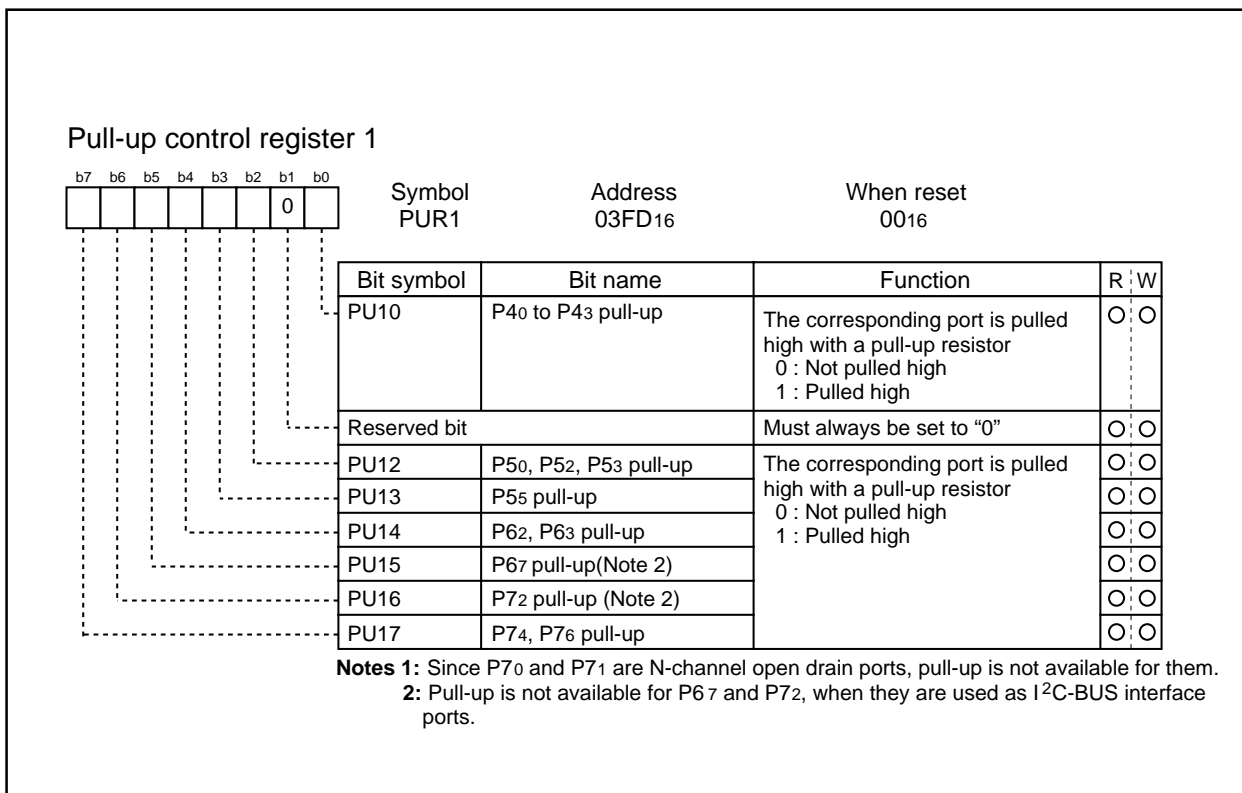


Figure 2.17.25 Pull-up control register 1

M306V5ME-XXXSP
M306V5EESP

SINGLE-CHIP 16-BIT CMOS MICROCOMPUTER with CLOSED CAPTION DECODER
and ON-SCREEN DISPLAY CONTROLLER

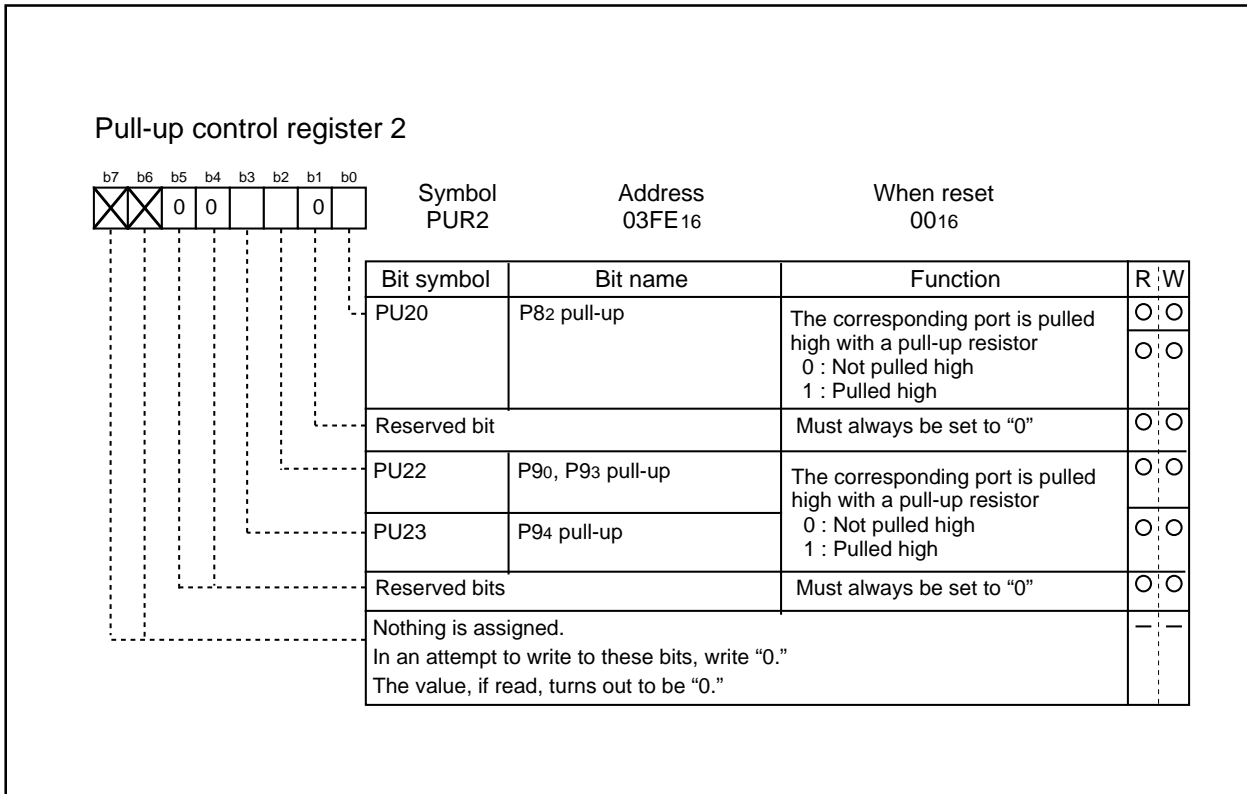


Figure 2.17.26 Pull-up control register 2

M306V5ME-XXXSP
M306V5EESP

SINGLE-CHIP 16-BIT CMOS MICROCOMPUTER with CLOSED CAPTION DECODER
and ON-SCREEN DISPLAY CONTROLLER

Table 2.17.1 Example connection of unused pins in single-chip mode

Pin name	Connection
Ports P0, P2 to P10	After setting for input mode, connect every pin to Vss or Vcc via a resistor; or after setting for output mode, leave these pins open.
XOUT (Note)	Open
AVcc	Connect to VCC
CNVss	Connect via resistor to Vss (pull-down)

Note: With external clock input to XIN pin.

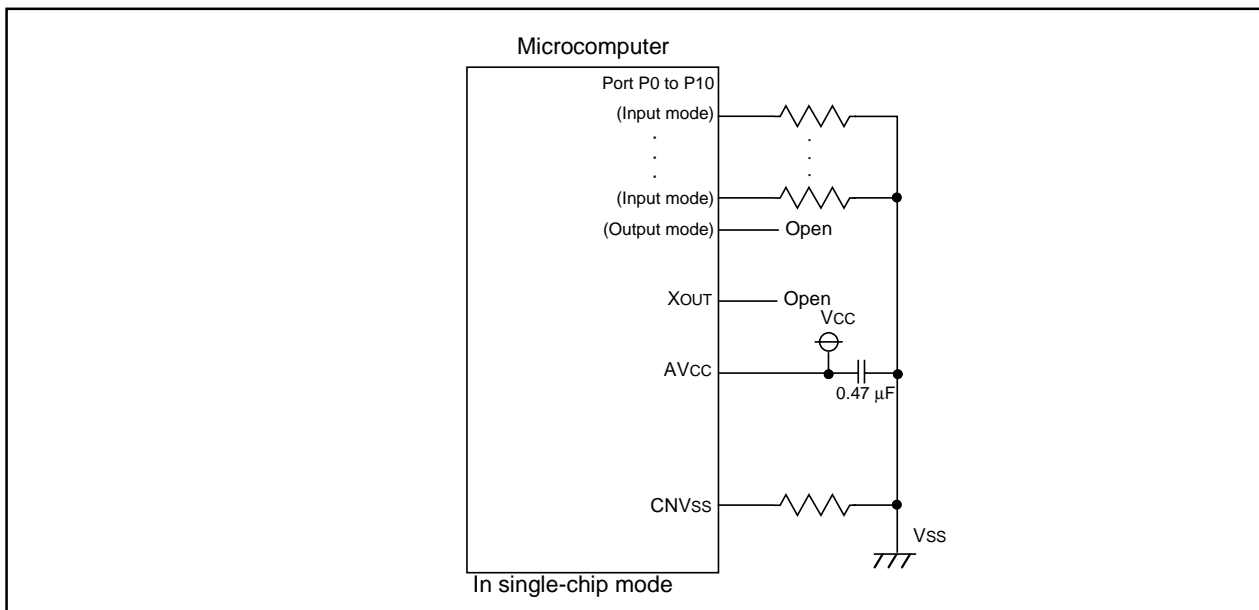


Figure 2.17.27 Example connection of unused pins

3. USAGE PRECAUTION

3.1 Timer A (timer mode)

- (1) Reading the timer Ai register while a count is in progress allows reading, with arbitrary timing, the value of the counter. Reading the timer Ai register with the reload timing gets "FFFF₁₆". Reading the timer Ai register after setting a value in the timer Ai register with a count halted but before the counter starts counting gets a proper value.

3.2 Timer A (event counter mode)

- (1) Reading the timer Ai register while a count is in progress allows reading, with arbitrary timing, the value of the counter. Reading the timer Ai register with the reload timing gets "FFFF₁₆" by underflow or "0000₁₆" by overflow. Reading the timer Ai register after setting a value in the timer Ai register with a count halted but before the counter starts counting gets a proper value.
- (2) When stop counting in free run type, set timer again.

3.3 Timer A (one-shot timer mode)

- (1) Setting the count start flag to "0" while a count is in progress causes as follows:
 - The counter stops counting and a content of reload register is reloaded.
 - The TAIOUT pin outputs "L" level.
 - The interrupt request generated and the timer Ai interrupt request bit goes to "1".
- (2) The timer Ai interrupt request bit goes to "1" if the timer's operation mode is set using any of the following procedures:
 - Selecting one-shot timer mode after reset.
 - Changing operation mode from timer mode to one-shot timer mode.
 - Changing operation mode from event counter mode to one-shot timer mode.Therefore, to use timer Ai interrupt (interrupt request bit), set timer Ai interrupt request bit to "0" after the above listed changes have been made.

3.4 Timer A (pulse width modulation mode)

- (1) The timer Ai interrupt request bit becomes "1" if setting operation mode of the timer in compliance with any of the following procedures:
 - Selecting PWM mode after reset.
 - Changing operation mode from timer mode to PWM mode.
 - Changing operation mode from event counter mode to PWM mode.Therefore, to use timer Ai interrupt (interrupt request bit), set timer Ai interrupt request bit to "0" after the above listed changes have been made.
- (2) Setting the count start flag to "0" while PWM pulses are being output causes the counter to stop counting. If the TAIOUT pin is outputting an "H" level in this instance, the output level goes to "L", and the timer Ai interrupt request bit goes to "1". If the TAIOUT pin is outputting an "L" level in this instance, the level does not change, and the timer Ai interrupt request bit does not becomes "1".

3.5 Timer B (timer mode, event counter mode)

- (1) Reading the timer Bi register while a count is in progress allows reading , with arbitrary timing, the value of the counter. Reading the timer Bi register with the reload timing gets "FFFF16". Reading the timer Bi register after setting a value in the timer Bi register with a count halted but before the counter starts counting gets a proper value.

3.6 Timer B (pulse period, pulse width measurement mode)

- (1) If changing the measurement mode select bit is set after a count is started, the timer Bi interrupt request bit goes to "1".
- (2) When the first effective edge is input after a count is started, an indeterminate value is transferred to the reload register. At this time, timer Bi interrupt request is not generated.

3.7 A-D Converter

- (1) Write to each bit (except bit 6) of A-D control register 0, to each bit of A-D control register 1, and to bit 0 of A-D control register 2 when A-D conversion is stopped (before a trigger occurs).
In particular, when the Vref connection bit is changed from "0" to "1", start A-D conversion after an elapse of 1 μ s or longer.
- (2) When changing A-D operation mode, select analog input pin again.
- (3) When using A-D converter in the one-shot mode and in the single sweep mode
After confirming the completion of A-D conversion, read the A-D register (the completion of A-D conversion is determined by A-D interrupt request bit).
- (4) When using A-D converter in the repeat mode and in the repeat sweep mode
Use the main clock without dividing as the internal clock of CPU.
- (5) The A-D conversion in the sweep mode needs the time as follows; (number of sweep pins + 2 pins) \times repeat times \times A-D conversion time for 1 pin.
- (6) When operating OSD or operating data slicer using the HSYNC and VSYNC input, do not use the A-D sweep mode (single sweep mode, repeat sweep mode 0, and repeat sweep mode 1).

3.8 Stop Mode and Wait Mode

- (1) When returning from stop mode by hardware reset, $\overline{\text{RESET}}$ pin must be set to "L" level until main clock oscillation is stabilized.
- (2) When switching to either wait mode or stop mode, instructions occupying four bytes either from the WAIT instruction or from the instruction that sets the every-clock stop bit to "1" within the instruction queue are perfected and then the program stops. So put at least four NOPs in succession either to the WAIT instruction or to the instruction that sets the every-clock stop bit to "1."

3.9 Interrupts

(1) Reading address 00000₁₆

- When maskable interrupt is occurred, CPU read the interrupt information (the interrupt number and interrupt request level) in the interrupt sequence.

The interrupt request bit of the certain interrupt written in address 00000₁₆ will then be set to "0". Reading address 00000₁₆ by software sets enabled highest priority interrupt source request bit to "0".

Though the interrupt is generated, the interrupt routine may not be executed.

Do not read address 00000₁₆ by software.

(2) Setting the stack pointer

- The value of the stack pointer immediately after reset is initialized to 0000₁₆. Accepting an interrupt before setting a value in the stack pointer may become a factor of runaway. Be sure to set a value in the stack pointer before accepting an interrupt.

(3) External interrupt

- When the polarity of the $\overline{\text{INT}}_0$ and $\overline{\text{INT}}_1$ pins is changed, the interrupt request bit is sometimes set to "1." After changing the polarity, set the interrupt request bit to "0."

(4) Rewrite the interrupt control register

- To rewrite the interrupt control register, do so at a point that does not generate the interrupt request for that register. If there is possibility of the interrupt request occur, rewrite the interrupt control register after the interrupt is disabled. The program examples are described as follow:

Example 1:

```
INT_SWITCH1:
  FCLR  I           ; Disable interrupts.
  AND.B #00h, 0055h ; Clear TA0IC int. priority level and int. request bit.
  NOP
  NOP
  FSET  I           ; Enable interrupts.
```

Example 2:

```
INT_SWITCH2:
  FCLR  I           ; Disable interrupts.
  AND.B #00h, 0055h ; Clear TA0IC int. priority level and int. request bit.
  MOV.W MEM, R0    ; Dummy read.
  FSET  I           ; Enable interrupts.
```

Example 3:

```
INT_SWITCH3:
  PUSHC FLG        ; Push Flag register onto stack
  FCLR  I           ; Disable interrupts.
  AND.B #00h, 0055h ; Clear TA0IC int. priority level and int. request bit.
  POPC  FLG        ; Enable interrupts.
```

The reason why two NOP instructions or dummy read are inserted before FSET I in Examples 1 and 2 is to prevent the interrupt enable flag I from being set before the interrupt control register is rewritten due to effects of the instruction queue.

- When a instruction to rewrite the interrupt control register is executed but the interrupt is disabled, the interrupt request bit is not set sometimes even if the interrupt request for that register has been generated. This will depend on the instruction. If this creates problems, use the below instructions to change the register.

Instructions : AND, OR, BCLR, BSET

3.10 Built-in PROM Version

3.10.1 All Built-in PROM Versions

High voltage is required to program to the built-in PROM. Be careful not to apply excessive voltage. Be especially careful during power-on.

3.10.2 One Time PROM Version

One Time PROM versions shipped in blank, of which built-in PROMs are programmed by users, are also provided. For these microcomputers, a programming test and screening are not performed in the assembly process and the following processes. To improve their reliability after programming, we recommend to program and test as flow shown in Figure 3.10.1 before use.

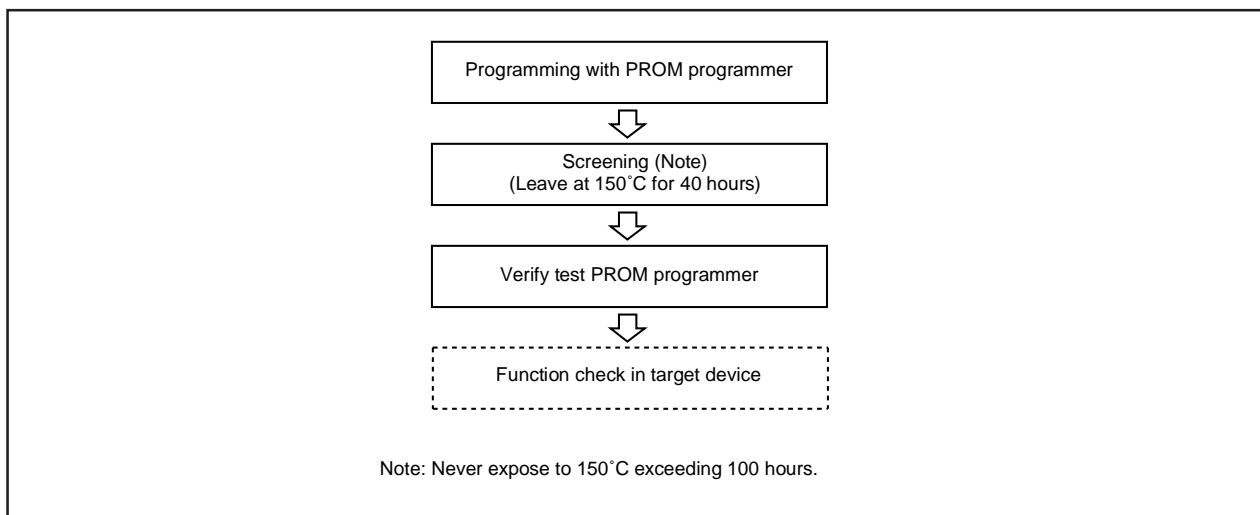


Figure 3.10.1 Programming and test flow for One Time PROM version

4. ITEMS TO BE SUBMITTED WHEN ORDERING MASKED ROM VERSION

Please submit the following when ordering masked ROM products.

- (1) Mask ROM confirmation form
- (2) Mask specification sheet
- (3) ROM data : EPROMs (3 sets)

*: In the case of EPROMs, three sets of EPROMs are required per pattern.

*: In the case of floppy disks, 3.5-inch double-sided high-density disk (IBM format) is required per pattern.

M306V5ME-XXXSP

M306V5EESP

SINGLE-CHIP 16-BIT CMOS MICROCOMPUTER with CLOSED CAPTION DECODER
and ON-SCREEN DISPLAY CONTROLLER

5. ELECTRICAL CHARACTERISTICS

5.1. Absolute Maximum Ratings

Table 5.1.1 Absolute maximum ratings

Symbol	Parameter	Condition	Rated value	Unit
V _{cc}	Supply voltage		-0.3 to 6.0	V
AV _{cc}	Analog supply voltage		-0.3 to 6.0	V
V _i	Input voltage P0 ₀ to P0 ₇ , P2 ₀ to P2 ₇ , P3 ₀ to P3 ₇ , P4 ₀ to P4 ₃ , P5 ₀ , P5 ₂ , P5 ₃ , P5 ₅ , P6 ₂ , P6 ₃ , P6 ₇ , P7 ₀ , P7 ₁ , P7 ₂ , P7 ₄ , P7 ₆ , P8 ₂ , P9 ₀ , P9 ₃ , P9 ₄ , P10 ₀ , P10 ₁ , X _{IN} , OSC1, RESET		-0.3 to V _{cc} +0.3	V
V _i	Input voltage CNV _{ss}		-0.3 to 6.0 (Note)	V
V _o	Output voltage P0 ₀ to P0 ₇ , P2 ₀ to P2 ₇ , P3 ₀ to P3 ₇ , P4 ₀ to P4 ₃ , P5 ₀ , P5 ₂ , P5 ₃ , P5 ₅ , P6 ₂ , P6 ₃ , P6 ₇ , P7 ₀ , P7 ₁ , P7 ₂ , P7 ₄ , P7 ₆ , P8 ₂ , P9 ₀ , P9 ₃ , P9 ₄ , P10 ₀ , P10 ₁ , R, G, B, OUT1, OUT2, OSC2, X _{OUT}		-0.3 to V _{cc} +0.3	V
P _d	Power dissipation	T _a =25 °C	500	mW
T _{opr}	Operating ambient temperature		-10 to 70	°C
T _{stg}	Storage temperature		-40 to 125	°C

Note: When writing to EPROM, only CNV_{ss} is -0.3 to 13(V).

M306V5ME-XXXSP

M306V5EESP

SINGLE-CHIP 16-BIT CMOS MICROCOMPUTER with CLOSED CAPTION DECODER
and ON-SCREEN DISPLAY CONTROLLER

5.2 Recommended Operating Conditions

Table 5.2.1 Recommended operating conditions (referenced to Vcc = 4.5 V to 5.5 V at Ta = – 10 °C to 70 °C unless otherwise specified)

Symbol	Parameter		Standard			Unit	
			Min	Typ.	Max.		
Vcc	Supply voltage (Note 3)		4.5	5.0	5.5	V	
AVcc	Analog supply voltage (Note 3)			Vcc		V	
Vss	Supply voltage			0		V	
VIH	HIGH input voltage	P00 to P07, P20 to P27, P30 to P37, P40 to P43, P50, P52, P53, P55, P62, P63, P67, P70, P71, P72, P74, P76, P82, P90, P93, P94, P100, P101, XIN, OSC1, RESET, CNVss	0.8Vcc		Vcc	V	
VIL	LOW input voltage	P00 to P07, P20 to P27, P30 to P37, P40 to P43, P50, P52, P53, P55, P62, P63, P67, P70, P71, P72, P74, P76, P82, P90, P93, P94, P100, P101, XIN, OSC1, RESET, CNVss	0		0.2Vcc	V	
IOH (peak)	HIGH peak output current	P00 to P07, P20 to P27, P30 to P37, P40 to P43, P50, P52, P53, P55, P62, P63, P67, P72, P74, P76, P82, P90, P93, P94, P100, P101, R, G, B, OUT1, OUT2			–10.0	mA	
IOH (avg)	HIGH average output current	P00 to P07, P20 to P27, P30 to P37, P40 to P43, P50, P52, P53, P55, P62, P63, P67, P72, P74, P76, P82, P90, P93, P94, P100, P101, R, G, B, OUT1, OUT2			–5.0	mA	
IOL (peak)	LOW peak output current	P00 to P07, P20 to P27, P30 to P37, P40 to P43, P50, P52, P53, P55, P62, P63, P67, P70, P71, P72, P74, P76, P82, P90, P93, P94, P100, P101, R, G, B, OUT1, OUT2			10.0	mA	
IOL (avg)	LOW average output current	P00 to P07, P20 to P27, P30 to P37, P40 to P43, P50, P52, P53, P55, P62, P63, P74, P76, P82, P90, P100, P101, R, G, B, OUT1, OUT2			5.0	mA	
IOL (avg)	LOW average output current	P67, P70 to P72, P93, P94			6.0	mA	
f (XIN)	Main clock input oscillation frequency				10	MHz	
fosc	Oscillation frequency (for OSD) OSC1		LC oscillating mode		11.0	27.0	MHz
			Ceramic oscillating mode		24.0	25.0	
f CVIN	Input frequency	Horizontal sync. signal of video signal	15.262	15.743	16.206	kHz	
Vi	Input amplitude video signal	CVIN	1.5	2.0	2.5	V	

Notes 1: The mean output current is the mean value within 100 ms.

2: The total IOL (peak) for ports P0, P2, P9, and P10 must be 80 mA max. The total IOH (peak) for ports P0, P2, P9, and P10 must be 80 mA max. The total IOL (peak) for ports P3, P4, P5, P6, P7 and P82 must be 80 mA max. The total IOH (peak) for ports P3, P4, P5, P6, P72, P74, P76, and P82 must be 80 mA max.

3: Connect 0.1 μF or more capacitor externally between the power source pins Vcc–Vss and AVcc–Vss so as to reduce power source noise. Also connect 0.1 μF or more capacitor externally between the power source pins Vcc–CNVss.

M306V5ME-XXXSP
M306V5EESP

SINGLE-CHIP 16-BIT CMOS MICROCOMPUTER with CLOSED CAPTION DECODER
and ON-SCREEN DISPLAY CONTROLLER

5.3 Electrical Characteristics

Table 5.3.1 Electrical characteristics (referenced to Vcc = 5 V, Vss = 0 V at Ta = 25 °C, f(XIN) = 10 MHz unless otherwise specified)

Symbol	Parameter		Measuring condition	Standard			Unit	
				Min.	Typ.	Max.		
VoH	HIGH output voltage	P00 to P07, P20 to P27, P30 to P37, P40 to P43, P50, P52, P53, P55, P62, P63, P67, P72, P74, P76, P82, P90, P93, P94, P100, P101, R, G, B, OUT1, OUT2	IoH = -5 mA	3.0			V	
VoH	HIGH output voltage	P00 to P07, P20 to P27, P30 to P37, P40 to P43, P50, P52, P53, P55	IoH = -200 μA	4.7			V	
VoH	HIGH output voltage	XOUT	HIGH POWER	IoH = -1 mA	3.0		V	
			LOW POWER	IoH = -0.5 mA	3.0			
VoL	LOW output voltage	P00 to P07, P20 to P27, P30 to P37, P40 to P43, P50, P52, P53, P55, P62, P63, P74, P76, P82, P90, P100, P101, R, G, B, OUT1, OUT2	IoL = 5 mA			2.0	V	
VoL	LOW output voltage	P67, P70 to P72, P93, P94	IoL = 6.0 mA			0.6	V	
VoL	LOW output voltage	P00 to P07, P20 to P27, P30 to P37, P40 to P43, P50, P52, P53, P55	IoL = 200 μA			0.45	V	
VoL	LOW output voltage	XOUT	HIGHPOWER	IoL = 1 mA		2.0	V	
			LOWPOWER	IoL = 0.5 mA		2.0		
Vt+-Vt-	Hysteresis	TB0IN, INT0, INT1, CLK0, CLK2, SCL1, SCL2, SCL3, SDA1, SDA2, SDA3, Hsync, Vsync, HC0, HC1, RxD0, RxD2		0.2		0.8	V	
Vt+-Vt-	Hysteresis	RESET		0.2		1.8	V	
Vt+-Vt-	Hysteresis	XIN		0.2		0.8	V	
IiH	HIGH input current	P00 to P07, P20 to P27, P30 to P37, P40 to P43, P50, P52, P53, P55, P62, P63, P67, P70, P71, P72, P74, P76, P82, P90, P93, P94, P100, P101 XIN, RESET, CNVss, OSC1	Vi = 5 V			5.0	μA	
IiL	LOW input current	P00 to P07, P20 to P27, P30 to P37, P40 to P43, P50, P52, P53, P55, P62, P63, P67, P70, P71, P72, P74, P76, P82, P90, P93, P94, P100, P101 XIN, RESET, CNVss, OSC1	Vi = 0 V			-5.0	μA	
PPULLUP	Pull-up resistor	P00 to P07, P20 to P27, P30 to P37, P40 to P43, P50, P52, P53, P55, P62, P63, P67, P72, P74, P76, P82, P90, P93, P94	Vi = 0 V	30.0	50.0	167.0	kΩ	
Icc	Power supply current	In single-chip mode, the output pins are open and other pins are Vss	f(XIN) = 10 MHz Square wave, no division	OSD ON, Data slicer ON	70	90	mA	
				OSD OFF, Data slicer OFF	30	50		
			f(XIN) = 10 MHz Square wave, division by 8	Ta=25 °C when clock is stopped	OSD OFF, Data slicer OFF	10		mA
					Ta = 70 °C when clock is stopped		10	
				200				
RBS	I ² C-BUS • BUS switch connection resistor (between SCL1 and SCL2, SDA1 and SDA2)		Vcc = 4.5 V			130	Ω	
RiXIN	Feedback resistor XIN				1.0		MΩ	
RiXCIN	Feedback resistor XCIN				6.0		MΩ	

M306V5ME-XXXSP
M306V5EESP

SINGLE-CHIP 16-BIT CMOS MICROCOMPUTER with CLOSED CAPTION DECODER
and ON-SCREEN DISPLAY CONTROLLER

5.4 A-D Conversion Characteristics

Table 5.4.1 A-D conversion characteristics (referenced to $V_{CC} = AV_{CC} = 5V$, $V_{SS} = AV_{SS} = 0V$ at $T_a = 25\text{ }^\circ\text{C}$, $f(X_{IN}) = 10\text{ MHz}$ unless otherwise specified)

Symbol	Parameter		Measuring condition	Standard			Unit
				Min.	Typ.	Max.	
—	Resolution		$V_{REF} = V_{CC}$			8	Bits
—	Absolute accuracy	Sample & hold function not available	$V_{REF} = V_{CC} = 5V$			± 5	LSB
		Sample & hold function available (8 bit)	$V_{REF} = V_{CC} = 5V$			± 5	LSB
R_{LADDER}	Ladder resistance		$V_{REF} = V_{CC}$	10		40	$k\Omega$
t_{CONV}	Conversion time			2.8			μs
t_{SAMP}	Sampling time			0.3			μs
V_{REF}	Reference voltage				V_{CC}		V
V_{IA}	Analog input voltage			0		V_{CC}	V

5.5 D-A Conversion Characteristics

Table 5.5.1 D-A conversion characteristics (referenced to $V_{CC} = 5V$, $V_{SS} = AV_{SS} = 0V$ at $T_a = 25\text{ }^\circ\text{C}$, $f(X_{IN}) = 10\text{ MHz}$ unless otherwise specified)

Symbol	Parameter		Measuring condition	Standard			Unit
				Min.	Typ.	Max.	
—	Resolution					8	Bits
—	Absolute accuracy					10	%
t_{su}	Setup time					3	μs
R_o	Output resistance			4	10	20	$k\Omega$
I_{VREF}	Reference power supply input current		(Note)			1.5	mA

Note: This applies when using one D-A converter, with the D-A register for the unused D-A converter set to "0016."
The A-D converter's ladder resistance is not included.
Also, when the V_{ref} is unconnected at the A-D control register, I_{VREF} is sent.

5.6 Analog R, G, B Output Characteristics

Table 5.6.1 Analog R, G, B output characteristics ($V_{CC} = 5V$, $V_{SS} = 0V$ at $T_a = 25\text{ }^\circ\text{C}$, $f(X_{IN}) = 10\text{ MHz}$ unless otherwise specified)

Symbol	Parameter		Test conditions	Standard		Unit
				Min.	Max.	
R_O	Output impedance				2	$k\Omega$
V_{OE}	Output deviation				± 0.5	V
T_{ST}	Settling time		load capacity of 10 pF, load resistance of 20 $k\Omega$, 70 % DC level		50	ns

M306V5ME-XXXSP
M306V5EESP

SINGLE-CHIP 16-BIT CMOS MICROCOMPUTER with CLOSED CAPTION DECODER
and ON-SCREEN DISPLAY CONTROLLER

5.7 Timing Requirements

Table 5.7.1 External clock input (referenced to Vcc = 5 V, Vss = 0 V at Ta = 25 °C unless otherwise specified)

Symbol	Parameter	Standard		Unit
		Min.	Max.	
tc	External clock input cycle time	100		ns
tw(H)	External clock input HIGH pulse width	40		ns
tw(L)	External clock input LOW pulse width	40		ns
tr	External clock rise time		15	ns
tf	External clock fall time		15	ns

Table 5.7.2 Timer B input (counter input in event counter mode)

(referenced to Vcc = 5 V, Vss = 0 V at Ta = 25 °C unless otherwise specified)

Symbol	Parameter	Standard		Unit
		Min.	Max.	
tc(TB)	TB0IN input cycle time (counted on one edge)	100		ns
tw(TBH)	TB0IN input HIGH pulse width (counted on one edge)	40		ns
tw(TBL)	TB0IN input LOW pulse width (counted on one edge)	40		ns
tc(TB)	TB0IN input cycle time (counted on both edges)	200		ns
tw(TBH)	TB0IN input HIGH pulse width (counted on both edges)	80		ns
tw(TBL)	TB0IN input LOW pulse width (counted on both edges)	80		ns

Table 5.7.3 Timer B input (pulse period measurement mode)

(referenced to Vcc = 5 V, Vss = 0 V at Ta = 25 °C unless otherwise specified)

Symbol	Parameter	Standard		Unit
		Min.	Max.	
tc(TB)	TB0IN input cycle time	400		ns
tw(TBH)	TB0IN input HIGH pulse width	200		ns
tw(TBL)	TB0IN input LOW pulse width	200		ns

Table 5.7.4 Timer B input (pulse width measurement mode)

(referenced to Vcc = 5 V, Vss = 0 V at Ta = 25 °C unless otherwise specified)

Symbol	Parameter	Standard		Unit
		Min.	Max.	
tc(TB)	TB0IN input cycle time	400		ns
tw(TBH)	TB0IN input HIGH pulse width	200		ns
tw(TBL)	TB0IN input LOW pulse width	200		ns

M306V5ME-XXXSP

M306V5EESP

SINGLE-CHIP 16-BIT CMOS MICROCOMPUTER with CLOSED CAPTION DECODER
and ON-SCREEN DISPLAY CONTROLLER

Table 5.7.5 Serial I/O (referenced to $V_{CC} = 5\text{ V}$, $V_{SS} = 0\text{ V}$ at $T_a = 25\text{ }^\circ\text{C}$ unless otherwise specified)

Symbol	Parameter	Standard		Unit
		Min.	Max.	
$t_{c(CK)}$	CLKi input cycle time	200		ns
$t_{w(CKH)}$	CLKi input HIGH pulse width	100		ns
$t_{w(CKL)}$	CLKi input LOW pulse width	100		ns
$t_{d(C-Q)}$	TxDi output delay time		80	ns
$t_{h(C-Q)}$	TxDi hold time	0		ns
$t_{su(D-C)}$	RxDi input setup time	30		ns
$t_{h(C-D)}$	RxDi input hold time	90		ns

Table 5.7.6 External interrupt \overline{INT}_i inputs (referenced to $V_{CC} = 5\text{ V}$, $V_{SS} = 0\text{ V}$ at $T_a = 25\text{ }^\circ\text{C}$ unless otherwise specified)

Symbol	Parameter	Standard		Unit
		Min.	Max.	
$t_{w(INH)}$	\overline{INT}_i input HIGH pulse width	250		ns
$t_{w(INL)}$	\overline{INT}_i input LOW pulse width	250		ns

M306V5ME-XXXSP
M306V5EESP

SINGLE-CHIP 16-BIT CMOS MICROCOMPUTER with CLOSED CAPTION DECODER
and ON-SCREEN DISPLAY CONTROLLER

5.8 Timing Diagram

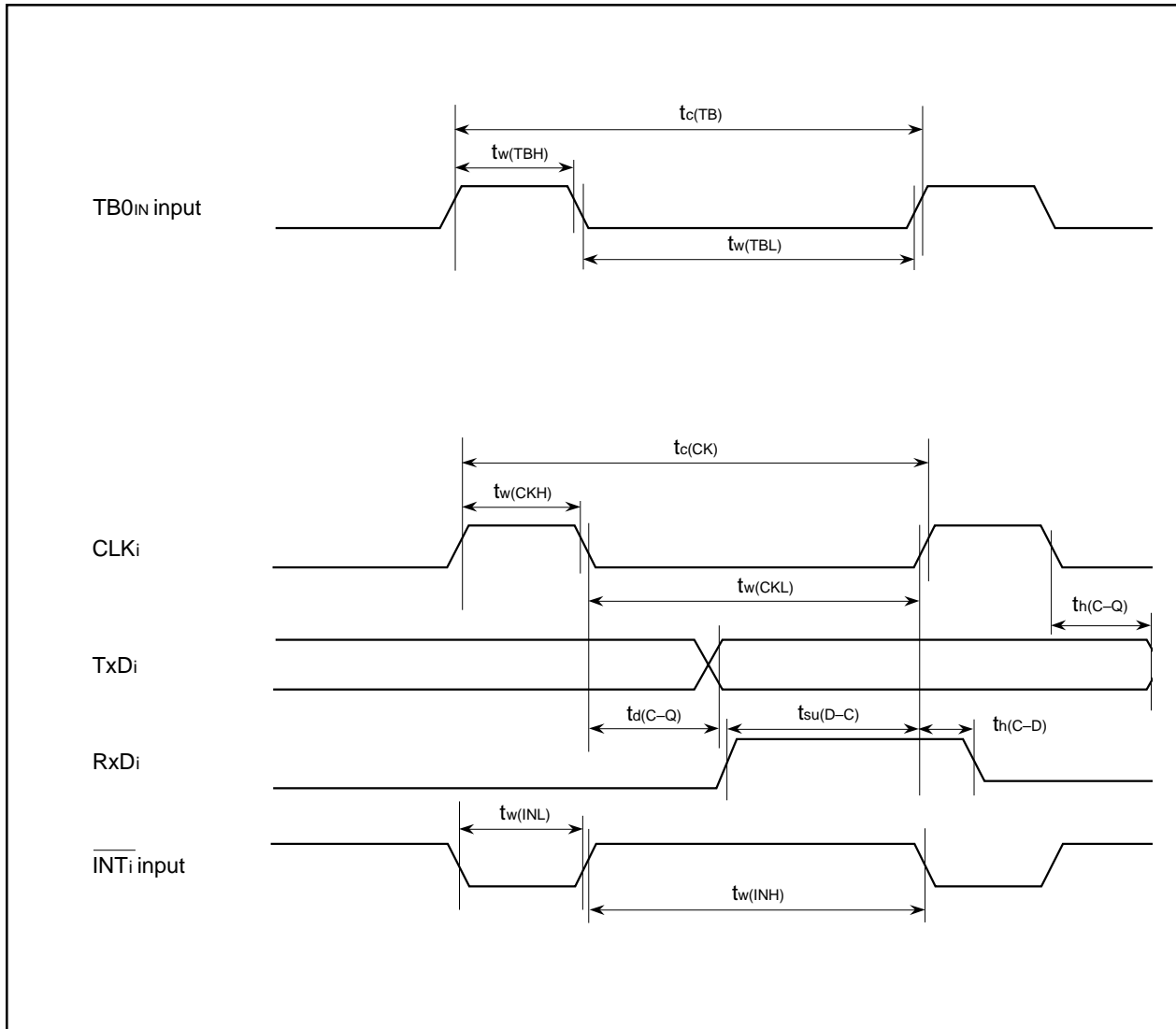


Figure 5.8.1 Timing diagram

M306V5ME-XXXSP
M306V5EESP

SINGLE-CHIP 16-BIT CMOS MICROCOMPUTER with CLOSED CAPTION DECODER
and ON-SCREEN DISPLAY CONTROLLER

6. MASK CONFIRMATION FORM

GZZ—SH56—45B <93A0>

**MITSUBISHI ELECTRIC SINGLE-CHIP 16-BIT
MICROCOMPUTER M306V5ME-XXXSP
MASK ROM CONFIRMATION FORM**

Mask ROM number	
-----------------	--

Receipt	Date :	
	Section head signature	Supervisor signature

Note : Please complete all items marked ※.

※ Customer	Company name	TEL ()	Issuance signature	Submitted by	Supervisor
	Date issued	Date :			

※ 1. Check sheet

Name the product you order, and choose which to give in, EPROMs or floppy disks.
If you order by means of EPROMs, three sets of EPROMs are required per pattern. If you order by means of floppy disks, one floppy disk is required per pattern.

In the case of EPROMs

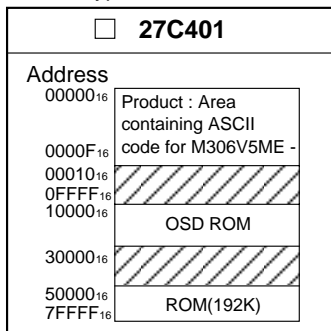
Mitsubishi will create the mask using the data on the EPROMs supplied, providing the data is the same on at least two of those sets. Mitsubishi will, therefore, only accept liability if there is any discrepancy between the data on the EPROM sets and the ROM data written to the product.
Please carefully check the data on the EPROMs being submitted to Mitsubishi.

Checksum code for total EPROM area :

--	--	--	--

 (hex)

EPROM type :



- (1) The area from 00000₁₆ to 0000F₁₆ is for storing data on the product type name.
The ASCII code for 'M306V5ME-' is shown at right.
The data in this table must be written to address 00000₁₆ to 0000F₁₆.
Both address and data are shown in hex.
- (2) Write "FF₁₆" to the lined area.

Address	'M' = 4D ₁₆	Address	'_' = 2D ₁₆
00000 ₁₆		00008 ₁₆	
00001 ₁₆	'3' = 33 ₁₆	00009 ₁₆	FF ₁₆
00002 ₁₆	'0' = 30 ₁₆	0000A ₁₆	FF ₁₆
00003 ₁₆	'6' = 36 ₁₆	0000B ₁₆	FF ₁₆
00004 ₁₆	'V' = 56 ₁₆	0000C ₁₆	FF ₁₆
00005 ₁₆	'5' = 35 ₁₆	0000D ₁₆	FF ₁₆
00006 ₁₆	'M' = 4D ₁₆	0000E ₁₆	FF ₁₆
00007 ₁₆	'E' = 45 ₁₆	0000F ₁₆	FF ₁₆

**M306V5ME-XXXSP
M306V5EESP**

SINGLE-CHIP 16-BIT CMOS MICROCOMPUTER with CLOSED CAPTION DECODER
and ON-SCREEN DISPLAY CONTROLLER

GZZ—SH56—45B <93A0>

**MITSUBISHI ELECTRIC SINGLE-CHIP 16-BIT
MICROCOMPUTER M306V5ME-XXXSP
MASK ROM CONFIRMATION FORM**

Mask ROM number	
-----------------	--

- (3) Be sure to store "FF 16" in the following test font addresses in OSD ROM.
When producing OSD ROM data with the OSD font editor program of Mitsubishi,
"FF16" is set automatically to these test font addresses.

(All addresses below are shown in hex.)

100FE	120FE	140FE	160FE	18002	1A002	1C002	1E002	20400	20401	20600	20601	213F8	213F9	213FC	213FD
100FF	120FF	140FF	160FF	18003	1A003	1C003	1E003	21400	21401	21600	21601	223F8	223F9	223FC	223FD
101FE	121FE	141FE	161FE	18102	1A102	1C102	1E102	22400	22401	22600	22601	233F8	233F9	233FC	233FD
101FF	121FF	141FF	161FF	18103	1A103	1C103	1E103	23400	23401	23600	23601	243F8	243F9	243FC	243FD
102FE	122FE	142FE	162FE	18202	1A202	1C202	1E202	24400	24401	24600	24601	253F8	253F9	253FC	253FD
102FF	122FF	142FF	162FF	18203	1A203	1C203	1E203	25400	25401	25600	25601	263F8	263F9	263FC	263FD
103FE	123FE	143FE	163FE	18302	1A302	1C302	1E302	26400	26401	26600	26601	273F8	273F9	273FC	273FD
103FF	123FF	143FF	163FF	18303	1A303	1C303	1E303	27400	27401	27600	27601	283F8	283F9	283FC	283FD
104FE	124FE	144FE	164FE	18402	1A402	1C402	1E402	28400	28401	28600	28601	293F8	293F9	293FC	293FD
104FF	124FF	144FF	164FF	18403	1A403	1C403	1E403	29400	29401	29600	29601	2A3F8	2A3F9	2A3FC	2A3FD
105FE	125FE	145FE	165FE	18502	1A502	1C502	1E502	2A400	2A401	2A600	2A601	21BF8	21BF9	21BFC	21BFD
105FF	125FF	145FF	165FF	18503	1A503	1C503	1E503	2B400	2B401	2B600	2B601	22BF8	22BF9	22BFC	22BFD
106FE	126FE	146FE	166FE	18602	1A602	1C602	1E602	2C400	2C401	2C600	2C601	23BF8	23BF9	23BFC	23BFD
106FF	126FF	146FF	166FF	18603	1A603	1C603	1E603	2D400	2D401	2D600	2D601	24BF8	24BF9	24BFC	24BFD
107FE	127FE	147FE	167FE	18702	1A702	1C702	1E702	2E400	2E401	2E600	2E601	25BF8	25BF9	25BFC	25BFD
107FF	127FF	147FF	167FF	18703	1A703	1C703	1E703	2F400	2F401	2F600	2F601	26BF8	26BF9	26BFC	26BFD
108FE	128FE	148FE	168FE	18802	1A802	1C802	1E802	20C00	20C01	20E00	20E01	27BF8	27BF9	27BFC	27BFD
108FF	128FF	148FF	168FF	18803	1A803	1C803	1E803	21C00	21C01	21E00	21E01	28BF8	28BF9	28BFC	28BFD
109FE	129FE	149FE	169FE	18902	1A902	1C902	1E902	22C00	22C01	22E00	22E01	29BF8	29BF9	29BFC	29BFD
109FF	129FF	149FF	169FF	18903	1A903	1C903	1E903	23C00	23C01	23E00	23E01	2ABF8	2ABF9	2ABFC	2ABFD
10AFE	12AFE	14AFE	16AFE	18A02	1AA02	1CA02	1EA02	24C00	24C01	24E00	24E01				
10AFF	12AFF	14AFF	16AFF	18A03	1AA03	1CA03	1EA03	25C00	25C01	25E00	25E01				
10BFE	12BFE	14BFE	16BFE	18B02	1AB02	1CB02	1EB02	26C00	26C01	26E00	26E01				
10BFF	12BFF	14BFF	16BFF	18B03	1AB03	1CB03	1EB03	27C00	27C01	27E00	27E01				
10CFE	12CFE	14CFE	16CFE	18C02	1AC02	1CC02	1EC02	28C00	28C01	28E00	28E01				
10CFF	12CFF	14CFF	16CFF	18C03	1AC03	1CC03	1EC03	29C00	29C01	29E00	29E01				
10DFE	12DFE	14DFE	16DFE	18D02	1AD02	1CD02	1ED02	2AC00	2AC01	2AE00	2AE01				
10DFF	12DFF	14DFF	16DFF	18D03	1AD03	1CD03	1ED03	2BC00	2BC01	2BE00	2BE01				
10EFE	12EFE	14EFE	16EFE	18E02	1AE02	1CE02	1EE02	2CC00	2CC01	2CE00	2CE01				
10EFF	12EFF	14EFF	16EFF	18E03	1AE03	1CE03	1EE03	2DC00	2DC01	2DE00	2DE01				
10FFE	12FFE	14FFE	16FFE	18F02	1AF02	1CF02	1EF02	2EC00	2EC01	2EE00	2EE01				
10FFF	12FFF	14FFF	16FFF	18F03	1AF03	1CF03	1EF03	10000	10800	10001	10801				
110FE	130FE	150FE	170FE	19002	1B002	1D002	1F002	11000	11800	11001	11801				
110FF	130FF	150FF	170FF	19003	1B003	1D003	1F003	12000	12800	12001	12801				
111FE	131FE	151FE	171FE	19102	1B102	1D102	1F102	13000	13800	13001	13801				
111FF	131FF	151FF	171FF	19103	1B103	1D103	1F103	14000	14800	14001	14801				
112FE	132FE	152FE	172FE	19202	1B202	1D202	1F202	15000	15800	15001	15801				
112FF	132FF	152FF	172FF	19203	1B203	1D203	1F203	16000	16800	16001	16801				
113FE	133FE	153FE	173FE	19302	1B302	1D302	1F302	17000	17800	17001	17801				
113FF	133FF	153FF	173FF	19303	1B303	1D303	1F303	18000	18800	18001	18801				
114FE	134FE	154FE	174FE	19402	1B402	1D402	1F402	19000	19800	19001	19801				
114FF	134FF	154FF	174FF	19403	1B403	1D403	1F403	1A000	1A800	1A001	1A801				
115FE	135FE	155FE	175FE	19502	1B502	1D502	1F502	1B000	1B800	1B001	1B801				
115FF	135FF	155FF	175FF	19503	1B503	1D503	1F503	1C000	1C800	1C001	1C801				
116FE	136FE	156FE	176FE	19602	1B602	1D602	1F602	1D000	1D800	1D001	1D801				
116FF	136FF	156FF	176FF	19603	1B603	1D603	1F603	1E000	1E800	1E001	1E801				
117FE	137FE	157FE	177FE	19702	1B702	1D702	1F702	1F000	1F800	1F001	1F801				
117FF	137FF	157FF	177FF	19703	1B703	1D703	1F703								
118FE	138FE	158FE	178FE	19802	1B802	1D802	1F802								
118FF	138FF	158FF	178FF	19803	1B803	1D803	1F803								
119FE	139FE	159FE	179FE	19902	1B902	1D902	1F902								
119FF	139FF	159FF	179FF	19903	1B903	1D903	1F903								

(2/4)



M306V5ME-XXXSP
M306V5EESP

SINGLE-CHIP 16-BIT CMOS MICROCOMPUTER with CLOSED CAPTION DECODER
and ON-SCREEN DISPLAY CONTROLLER

GZZ—SH56—45B <93A0>

**MITSUBISHI ELECTRIC SINGLE-CHIP 16-BIT
MICROCOMPUTER M306V5ME-XXXSP
MASK ROM CONFIRMATION FORM**

Mask ROM number	
-----------------	--

The ASCII code for the type No. can be written to EPROM addresses 00000₁₆ to 0000F₁₆ by specifying the pseudo-instructions shown in the following table at the beginning of the assembler source program.

EPROM type	27C401
Code entered in source program	△.SECTION△ASCII CODE, ROM DATA △.ORG △080000H △.BYTE △' M306V5ME- '

Note: The ROM cannot be processed if the type No. written to the EPROM does not match the type No. in the check sheet.

In the case of floppy disks

Mitsubishi processes the mask files generated by the mask file generation utilities out of those held on the floppy disks you give in to us, and forms them into masks. Hence, we assume liability provided that there is any discrepancy between the contents of these mask files and the ROM data to be burned into products we produce. Check thoroughly the contents of the mask files you give in. Prepare 3.5 inches 2HD(IBM format) floppy disks. And store only one mask file in a floppy disk.

File code :

--	--	--	--	--	--	--	--	--	--

(hex)

Mask file name :

--	--	--	--	--	--	--	--	--	--

.MSK (alpha-numeric 8-digit)

Note: When using the floppy disks, do not store the type No. to addresses 0000₁₆ to 0000F₁₆.

※2. Mark specification

The mark specification differs according to the type of package. After entering the mark specification on the separate mark specification sheet (for each package), attach that sheet to this masking check sheet for submission to Mitsubishi.

For the M306V5ME-XXXSP, submit the 64P4B mark specification sheet.

M306V5ME-XXXSP
M306V5EESP

SINGLE-CHIP 16-BIT CMOS MICROCOMPUTER with CLOSED CAPTION DECODER
and ON-SCREEN DISPLAY CONTROLLER

GZZ—SH56—45B <93A0>

**MITSUBISHI ELECTRIC SINGLE-CHIP 16-BIT
MICROCOMPUTER M306V5ME-XXXSP
MASK ROM CONFIRMATION FORM**

Mask ROM number	
-----------------	--

※ 3. Usage Conditions

For our reference when of testing our products, please reply to the following questions about the usage of the products you ordered.

(1) Which kind of X_{IN}-X_{OUT} oscillation circuit is used?

- Ceramic resonator Quartz-crystal oscillator
 External clock input Other ()

What frequency do you use?

f(X_{IN}) = MHz

(2) Which operation mode do you use?

- Single-chip mode Memory expansion mode
 Microprocessor mode

Thank you cooperation.

※ 4. Special item (Indicate none if there is no specified item)

M306V5ME-XXXSP
M306V5EESP

SINGLE-CHIP 16-BIT CMOS MICROCOMPUTER with CLOSED CAPTION DECODER
and ON-SCREEN DISPLAY CONTROLLER

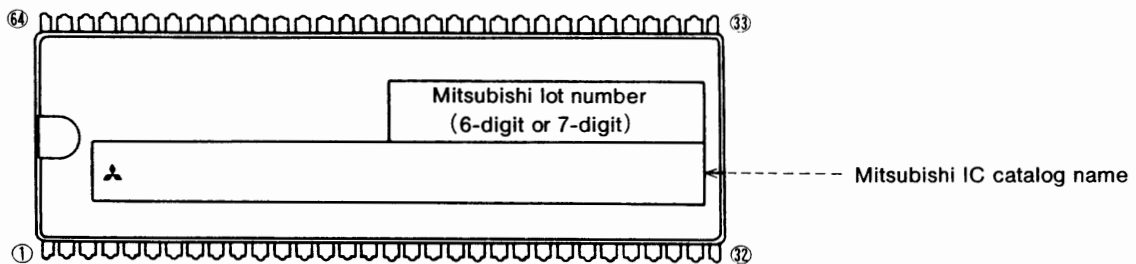
7. MARK SPECIFICATION FORM

64P4B (64-PIN SHRINK DIP) MARK SPECIFICATION FORM

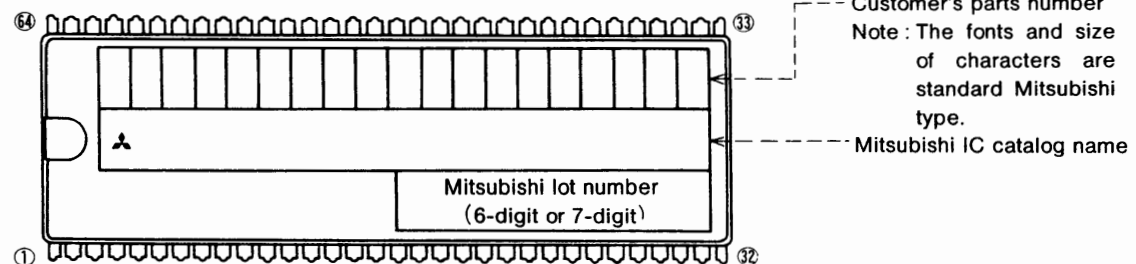
Mitsubishi IC catalog name

Please choose one of the marking types below (A, B, C), and enter the Mitsubishi IC catalog name and the special mark (if needed).

A. Standard Mitsubishi Mark



B. Customer's Parts Number + Mitsubishi Catalog Name

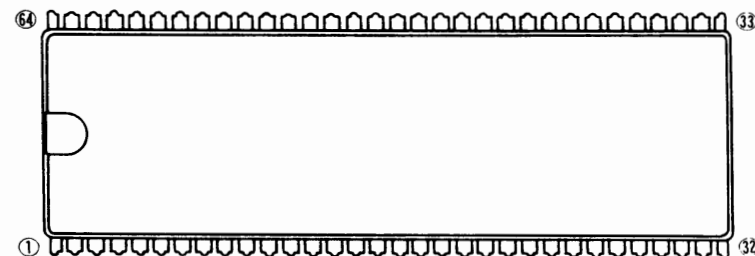


Note1 : The mark field should be written right aligned.

- 2 : The fonts and size of characters are standard Mitsubishi type.
- 3 : Customer's parts number can be up to 19 characters :
Only 0~9, A~Z, +, -, /, (,), &, ©, . (period), and , (comma) are usable.
- 4 : If the Mitsubishi logo is not required, check the box on the right.

Mitsubishi logo is not required

C. Special Mark Required



Note1 : If the special mark is to be printed, indicate the desired layout of the mark in the upper figure. The layout will be duplicated as close as possible. Mitsubishi lot number (6-digit or 7-digit) and mask ROM number (3-digit) are always marked.

2 : If the customer's trade mark logo must be used in the special mark, check the box below. Please submit a clean original of the logo.

For the new special character fonts a clean font original (ideally logo drawing) must be submitted.

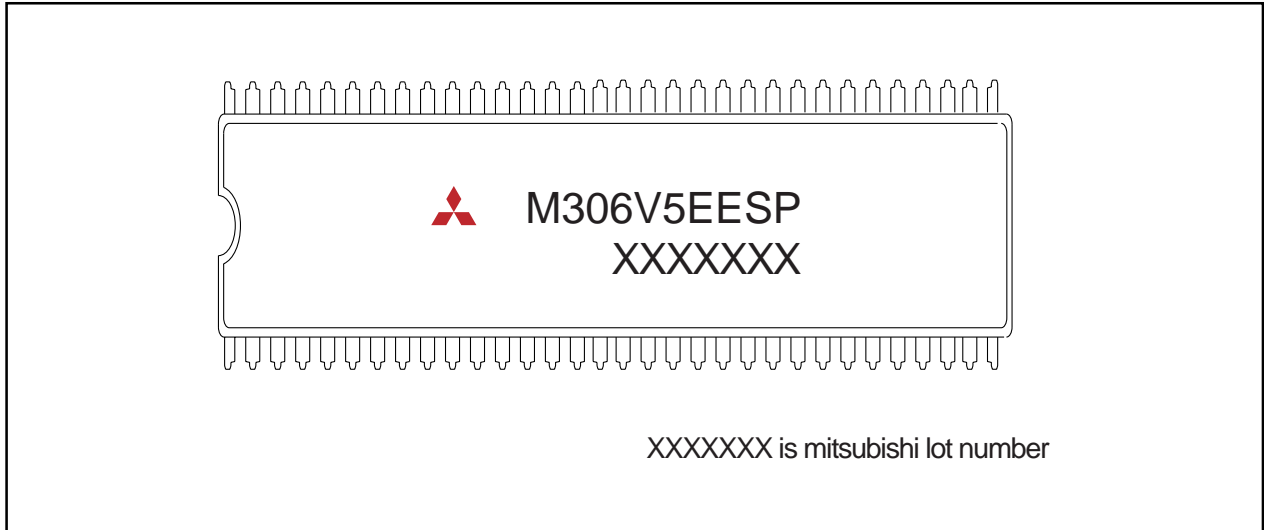
Special logo required

The standard Mitsubishi font is used for all characters except for a logo.

M306V5ME-XXXSP
M306V5EESP

SINGLE-CHIP 16-BIT CMOS MICROCOMPUTER with CLOSED CAPTION DECODER
and ON-SCREEN DISPLAY CONTROLLER

8. ONE TIME PROM VERSION M306V5EESP MARKING



M306V5ME-XXXSP
M306V5EESP

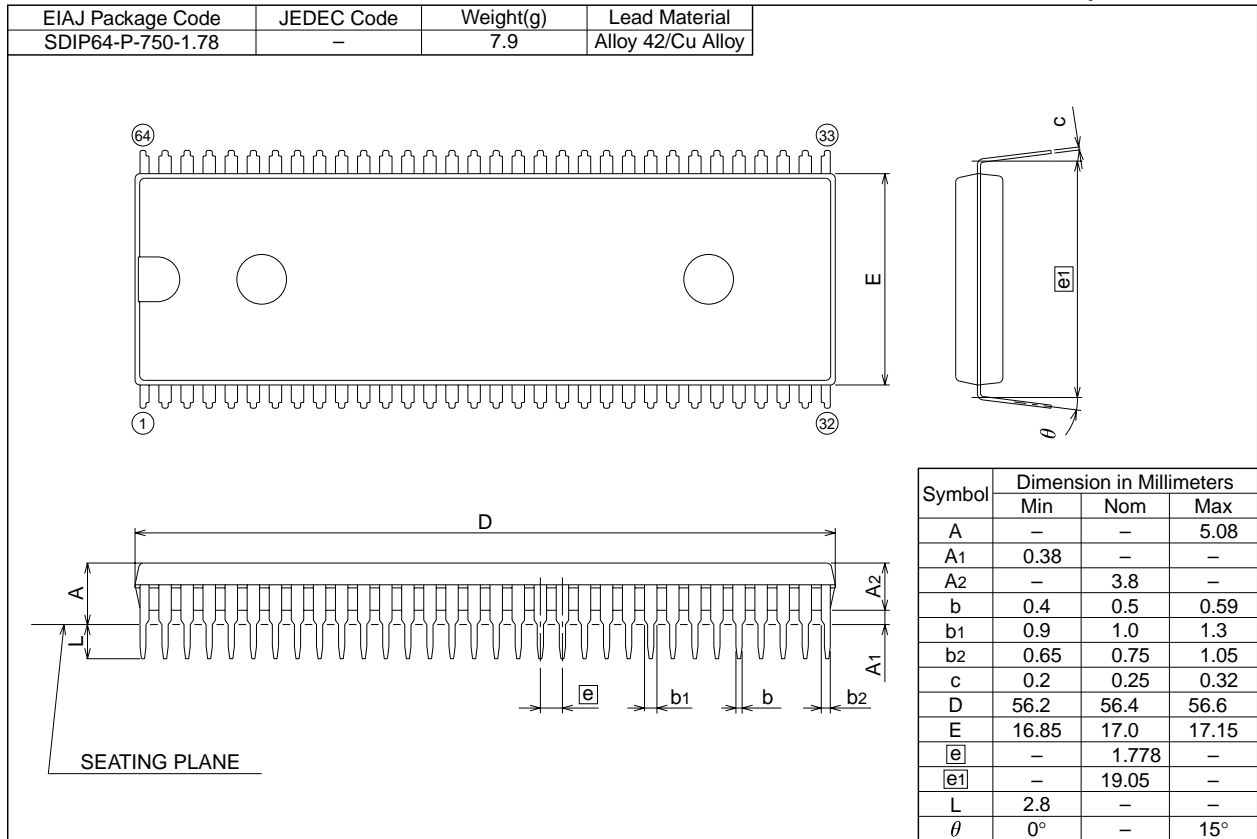
SINGLE-CHIP 16-BIT CMOS MICROCOMPUTER with CLOSED CAPTION DECODER
and ON-SCREEN DISPLAY CONTROLLER

9. PACKAGE OUTLINE

64P4B

(MMP)

Plastic 64pin 750mil SDIP



M306V5ME-XXXSP
M306V5EESP

SINGLE-CHIP 16-BIT CMOS MICROCOMPUTER with CLOSED CAPTION DECODER
and ON-SCREEN DISPLAY CONTROLLER

Structure of Register

Refer to the figure below as for each register.

<Example>

Processor mode register 1 (Note)

b7 b6 b5 b4 b3 b2 b1 b0

0	0	0	0	0	X	1	0
---	---	---	---	---	---	---	---

Symbol
PM1

Address
000516

Values immediately after reset release (Note 1)
When reset
0000X002

Bit attributes (Note 2)

Bit symbol	Bit name	Function	R:W
Reserved bit		Must always be set to "0"	○:○
Reserved bit		Must always be set to "1"	○:○
Nothing is assigned. In an attempt to write to this bit, write "0." The value, if read, turns out to be indeterminate.			—:—
Reserved bits		Must always be set to "0"	—:○
PM17	Wait bit	0 : No wait state 1 : Wait state inserted	○:○

Note: As bit 1 of this register becomes "0" at reset, must always be set to "1" after reset release. Set bit 1 of the protect register (address 000A16) to "1" when writing new values to this register.

X: Bit in which nothing is assigned

Notes 1: Values immediately after reset release
 0 "0" after reset release
 1 "1" after reset release
 ? Indeterminate after reset release
 X Bit in which nothing is assigned

2: Bit attributes The attributes of control register bits are classified into 3 types : read-only, write-only and read and write. In the figure, these attributes are represented as follows :

R Read
 ○ Read enabled
 X Read disabled
 — Bit in which nothing is assigned (The read value is indeterminate unless otherwise mentioned.)

W Write
 ○ Write enabled
 X Write disabled
 — Bit in which nothing is assigned

-----Register Index-----

[A]		
A-D conversion interrupt control register (ADIC) 43	DMAi destination pointer (DARi) 62	
Address match interrupt enable register (AIER) 53	DMAi transfer counter (TCRi) 62	
Address match interrupt register i (RMADi) .. 53	DMAi source pointer (SARi) 62	
A-D register i (ADi) 141	[H]	
A-D control register 2 (ADCON2) 141	Horizontal position register (HP) 176	
A-D control register 1 (ADCON1) 140, 143, 145, 147, 149, 150	HSYNC counter register (HC) 165	
A-D control register 0 (ADCON0) 140, 143, 145, 147, 149, 151	HSYNC counter latch 13	
[B]		
Block control register i (BCi) 171	[I]	
Bottom border control register (BBR) 215	I ² Ci data shift register (IICiS0) 123	
Bus collision detection interrupt control register (BCNIC) 43	I ² Ci address register (IICiS0D) 124	
[C]		
Caption data register i (CDi) 13	I ² Ci status register (IICiS1) 131	
Caption position register (CPS) 161	I ² Ci control register (IICiS1D) 128	
Clock control register (CS) 179	I ² Ci clock control register (IICiS2) 126	
Clock run-in detect register (CRD) 162	I ² Ci port selection register (IICiS2D) 121	
Color palette register i (CRi) 119	I ² Ci transmit buffer register (IICiS0S) 123	
Count start flag (TABSR) 71, 81	I/O polarity control register (PC) 180	
[D]		
D-A control register (DACon) 154	Interrupt control reserved register i (REiIC) 52	
D-A register i (DAi) 154	Interrupt request cause select register (IFSR) 52	
Data clock position register (DPS) 163	INTi interrupt control register (INTiIC) 43	
Data slicer control register 1 (DSC1) 157	[L]	
Data slicer control register 2 (DSC2) 157	Left border control register (LBR) 216	
Data slicer interrupt control register (DSiC) .. 43	[M]	
Data slicer reserved register i (DRi) 164	Multi-master I ² C-BUS interface i interrupt control register (IICiIC) 43	
DMA0 request cause select register (DM0SL) 60	[O]	
DMA1 request cause select register (DM1SL) 61	One-shot start flag (ONSF) 72	
DMAi control register (DMiCON) 61	OSD control register 1 (OC1) 170	
DMAi interrupt control register (DMiIC) 43	OSD control register 2 (OC2) 173	
[P]		
Peripheral mode register (PM) 87	OSD control register 3 (OC3) 198	
	OSD control register 4 (OC4) 182	
	OSD reserved register i (ORi) 220	
	OSDi interrupt control register (OSDiIC) 43	

M306V5ME-XXXSP
M306V5EESP

SINGLE-CHIP 16-BIT CMOS MICROCOMPUTER with CLOSED CAPTION DECODER
and ON-SCREEN DISPLAY CONTROLLER

Port P0, P2, P3 register
(P0 to P0, P2, P3) 231

Port P0, P2, P3 direction register
(PD0, PD2, PD3) 227

Port P4 register (P4) 231

Port P4 direction register (PD4) 227

Port P5 register (P5) 232

Port P5 direction register (PD5) 228

Port P6 register (P6) 232

Port P6 direction register (PD6) 228

Port P7 register (P7) 233

Port P7 direction register (PD7) 229

Port P8 register (P8) 233

Port P8 direction register (PD8) 229

Port P9 register (P9) 234

Port P9 direction register (PD9) 230

Port P10 register (P10) 234

Port P10 direction register (PD10) 230

Port reserved register i (PRi) 235

Processor mode register 0 (PM0) 23

Processor mode register 1 (PM1) 23

Protect register (PRCR) 35

Pull-up control register 0 (PUR0) 236

Pull-up control register 1 (PUR1) 236

Pull-up control register 2 (PUR2) 237

[R]

Raster color register (RSC) 217

Reserved register i (INVCi) 73, 81, 86

Right border control register (RBR) 216

[S]

SPRITE horizontal position register (HS) 212

SPRITE OSD control register (SC) 211

SPRITE vertical position register i (VSi) 212

System clock control register 0 (CM0) 30

System clock control register 1 (CM1) 30

[T]

Timer Ai interrupt control register (TAiIC)
..... 43

Timer Bi interrupt control register (TBiIC)
..... 43

Timer Ai register (TAi) 71

Timer Bi register (TBi) 81

Timer Ai mode register (TAiMR)
..... 70, 74, 76, 77, 78

Timer Bi mode register (TBiMR)
..... 80, 82, 83, 84

Top border control register (TBR) 215

Trigger select register (TRGSR) 73

[U]

UART transmit/receive control register 2 (UCON)
..... 97

UART0 transmit/receive control register 0 (U0C0)
..... 94

UART0 transmit/receive control register 1 (U0C1)
..... 96

UART0 transmit/receive mode register (U0MR)
..... 93, 100, 107

UART2 special mode register (U2SMR) 97

UART2 transmit/receive mode register (U2MR)
..... 93, 100, 107

UART2 transmit/receive control register 0 (U2C0)
..... 95

UART2 transmit/receive control register 1 (U2C1)
..... 96

UARTi bit rate generator (UiBRG) 92

UARTi receive buffer register (UiRB) 92

UARTi receive interrupt control register (SiRIC)
..... 43

UARTi transmit buffer register (UiTB) 92

UARTi transmit interrupt control register (SiTIC)
..... 43

Up/down flag (UDF) 72

[V]

VSYNC interrupt control register (VSYNCIC) 43

Vertical position register i (VPi) 176

[W]

Watchdog timer control register (WDC) 57

Watchdog timer start register (WDTS) 57

M306V5ME-XXXSP

M306V5EESP

SINGLE-CHIP 16-BIT CMOS MICROCOMPUTER with CLOSED CAPTION DECODER
and ON-SCREEN DISPLAY CONTROLLER



Keep safety first in your circuit designs!

- Mitsubishi Electric Corporation puts the maximum effort into making semiconductor products better and more reliable, but there is always the possibility that trouble may occur with them. Trouble with semiconductors may lead to personal injury, fire or property damage. Remember to give due consideration to safety when making your circuit designs, with appropriate measures such as (i) placement of substitutive, auxiliary circuits, (ii) use of non-flammable material or (iii) prevention against any malfunction or mishap.

Notes regarding these materials

- These materials are intended as a reference to assist our customers in the selection of the Mitsubishi semiconductor product best suited to the customer's application; they do not convey any license under any intellectual property rights, or any other rights, belonging to Mitsubishi Electric Corporation or a third party.
- Mitsubishi Electric Corporation assumes no responsibility for any damage, or infringement of any third-party's rights, originating in the use of any product data, diagrams, charts, programs, algorithms, or circuit application examples contained in these materials.
- All information contained in these materials, including product data, diagrams, charts, programs and algorithms represents information on products at the time of publication of these materials, and are subject to change by Mitsubishi Electric Corporation without notice due to product improvements or other reasons. It is therefore recommended that customers contact Mitsubishi Electric Corporation or an authorized Mitsubishi Semiconductor product distributor for the latest product information before purchasing a product listed herein.
- The information described here may contain technical inaccuracies or typographical errors. Mitsubishi Electric Corporation assumes no responsibility for any damage, liability, or other loss rising from these inaccuracies or errors. Please also pay attention to information published by Mitsubishi Electric Corporation by various means, including the Mitsubishi Semiconductor home page (<http://www.mitsubishichips.com>).
- When using any or all of the information contained in these materials, including product data, diagrams, charts, programs, and algorithms, please be sure to evaluate all information as a total system before making a final decision on the applicability of the information and products. Mitsubishi Electric Corporation assumes no responsibility for any damage, liability or other loss resulting from the information contained herein.
- Mitsubishi Electric Corporation semiconductors are not designed or manufactured for use in a device or system that is used under circumstances in which human life is potentially at stake. Please contact Mitsubishi Electric Corporation or an authorized Mitsubishi Semiconductor product distributor when considering the use of a product contained herein for any specific purposes, such as apparatus or systems for transportation, vehicular, medical, aerospace, nuclear, or undersea repeater use.
- The prior written approval of Mitsubishi Electric Corporation is necessary to reprint or reproduce in whole or in part these materials.
- If these products or technologies are subject to the Japanese export control restrictions, they must be exported under a license from the Japanese government and cannot be imported into a country other than the approved destination.
- Any diversion or reexport contrary to the export control laws and regulations of Japan and/or the country of destination is prohibited.
- Please contact Mitsubishi Electric Corporation or an authorized Mitsubishi Semiconductor product distributor for further details on these materials or the products contained therein.

REVISION HISTORY

M306V5ME-XXXSP, M306V5EESP (REV.1.0) DATA SHEET

Rev. No.	Revision Description	Rev. date
1.0	First Edition of PDF File	0006