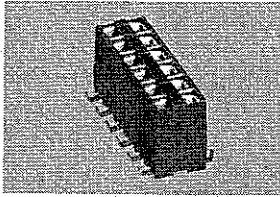


AMP HV-100 Receptacles Double Row, Vertical Mount, SMD

Surface Mount Assembly, Double Row



Material and Finish:

Housing—Liquid Crystal Polymer (LCP) black UL 94-V0 rated

Posts—Phosphor bronze plated as follows:

Plating A

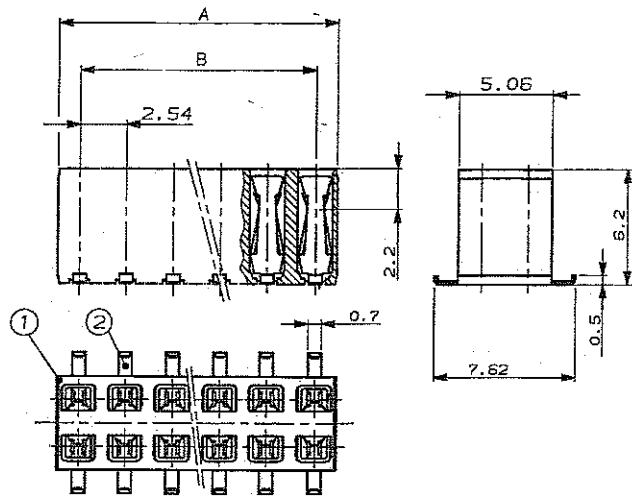
Contact Zone—0.8 µm gold over 1.27 µm nickel

Soldering Zone—2.5 µm tin over 1.27 µm nickel

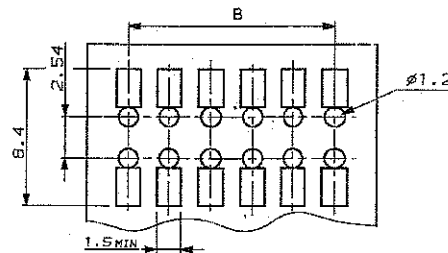
Plating B—2.5 µm tin over 1.27 µm nickel

Technical Documents:

Product Specification
108-19056



RECOMMENDED PCB LAYOUT



No. of Positions	Dimensions		Packaging / Part Number (Blister)	
	A	B	Plating A	Plating B
2	5.08	2.54	969973-2	1355347-2
3	7.62	5.08	969973-3	1355347-3
4	10.16	7.62	969973-4	1355347-4
5	12.70	10.16	969973-5	1355347-5
6	15.24	12.70	969973-6	1355347-6
7	17.78	15.24	969973-7	1355347-7
8	20.32	17.78	969973-8	1355347-8
9	22.86	20.32	969973-9	1355347-9
10	25.40	22.86	1-969973-0	1-1355347-0
11	27.94	25.40	1-969973-1	1-1355347-1
12	30.48	27.94	1-969973-2	1-1355347-2
13	33.02	30.48	1-969973-3	1-1355347-3
14	35.56	33.02	1-969973-4	1-1355347-4
15	38.10	35.56	1-969973-5	1-1355347-5
16	40.64	38.10	1-969973-6	1-1355347-6
17	43.18	40.64	1-969973-7	1-1355347-7
18	45.72	43.18	1-969973-8	1-1355347-8
19	48.26	45.72	1-969973-9	1-1355347-9
20	50.80	48.26	2-969973-0	2-1355347-0

Products for Industrial & Commercial Applications

Dimensions are shown for reference purposes only.
Conversion Rate:
25.4mm = 1 inch

Dimensions are in inches and millimetres unless otherwise specified. Values in brackets are metric equivalents.

Specifications subject to change

www.tycoelectronics.com