

INTEGRATED CONNECTOR MODULES

0853-2X6R-66 Power over Ethernet MagJack® 2 x 6

ELECTRICAL CHARACTERISTICS @ 25°C

TURNS RATIO

TP1	1CT : 1CT ±2%
TP2	1CT : 1CT ±2%
TP3	1CT : 1CT ±2%
TP4	1CT : 1CT ±2%

DCI @ 100kHz/100mVRMS 8mA DC BIAS

350µH MIN.

INS. LOSS

0.1MHz TO 1MHz	-1.1 dB MAX
1MHz TO 65MHz	-0.5 dB MAX
65MHz TO 100MHz	-0.8 dB MAX
100MHz TO 125MHz	-1.2 dB MAX

RET. LOSS (MIN)

0.5MHz-40MHz	-18 dB
40MHz-100MHz	-12+20LOG(f/80MHz) dB

CM TO CM REJ

100kHz - 100MHz	-30 dB MIN
-----------------	------------

CM TO DM REJ

100kHz - 100MHz	-35 dB MIN
-----------------	------------

HIPOT (Isolation Voltage):

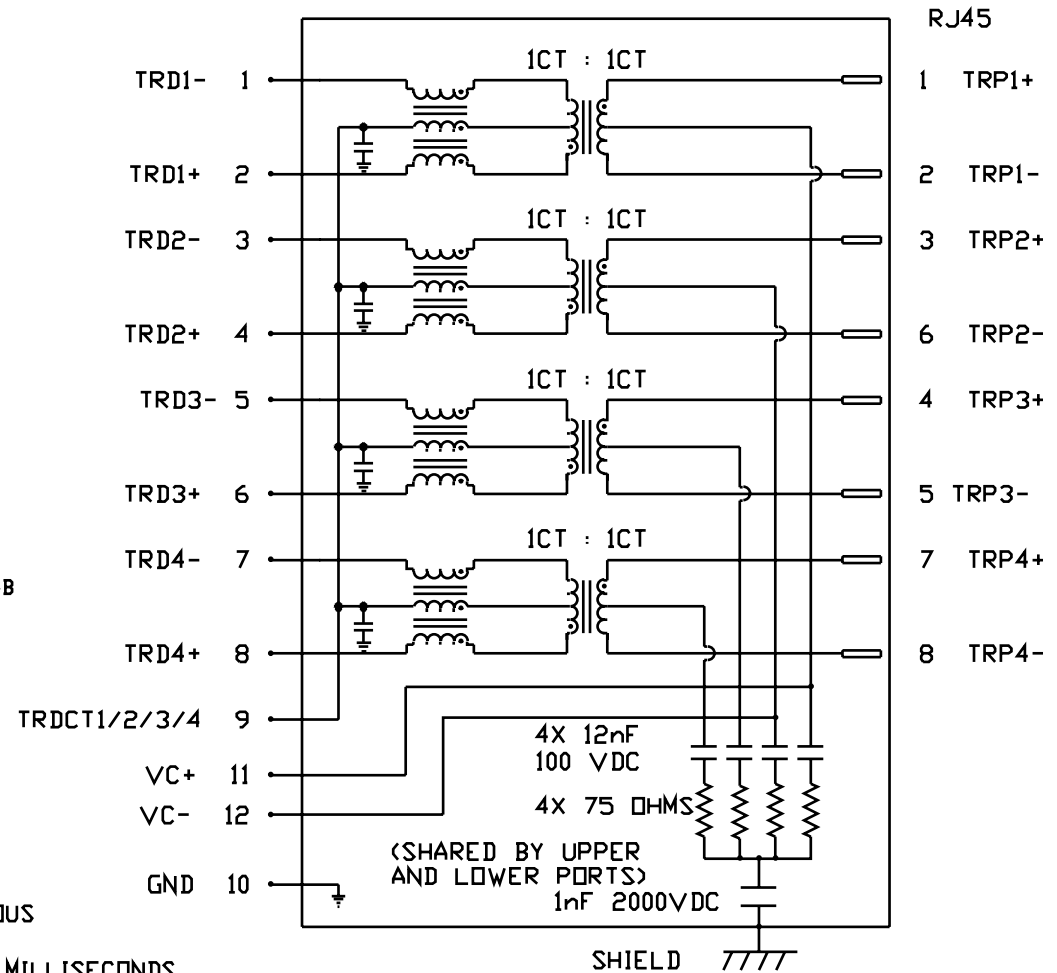
100% OF PRODUCT TESTED
IN PRODUCTION

2250 VDC

BALANCED DC LINE CURRENT

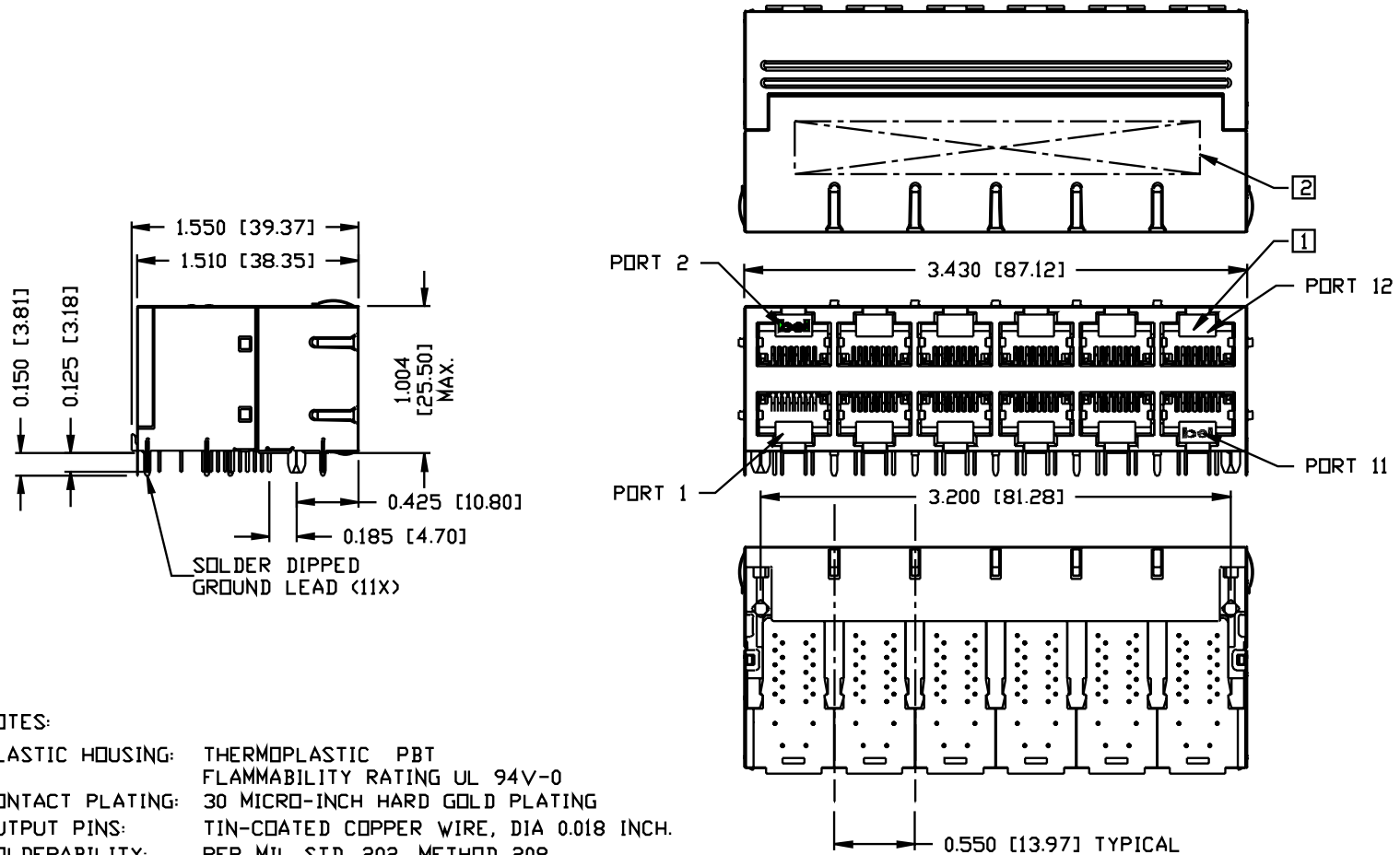
350 mA MAX.
@ 57 VDC CONTINUOUS
500 mA MAX.
@ 57 VDC for 200 MILLISECONDS

SCHEMATIC



INTEGRATED CONNECTOR MODULES

0853-2X6R-66 Power over Ethernet MagJack® 2 x 6



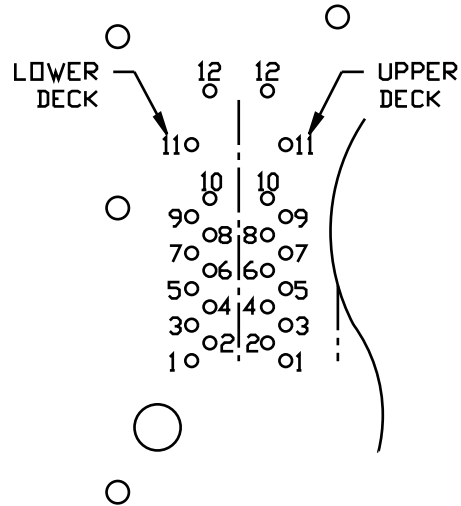
NOTES:

- PLASTIC HOUSING: THERMOPLASTIC PBT
FLAMMABILITY RATING UL 94V-0
- CONTACT PLATING: 30 MICRO-INCH HARD GOLD PLATING
- OUTPUT PINS: TIN-COATED COPPER WIRE, DIA 0.018 INCH.
- SOLDERABILITY: PER MIL STD. 202, METHOD 208.
- METAL SHIELD: NICKEL PLATED COPPER ALLOY.
(ALL GROUND LEADS ARE SOLDER DIPPED)

- 1 JACK CAVITY CONFORMS TO FCC RULES AND REGULATIONS, PART 68 SUBPART F.
- 2 MARK PART WITH MFG LOGO, PART NUMBER, DATE CODE AND MFG NAME.

INTEGRATED CONNECTOR MODULES

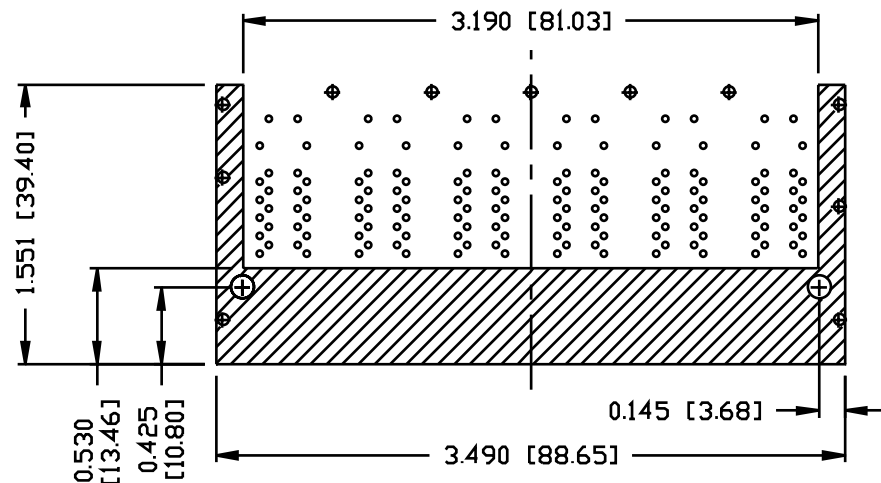
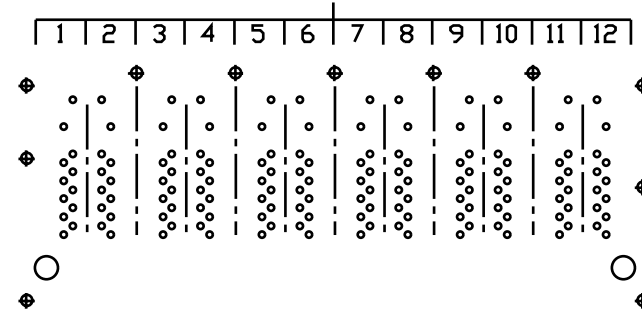
0853-2X6R-66 Power over Ethernet MagJack® 2 x 6



PIN-OUT INFORMATION
(COMPONENT SIDE VIEW)

12	VC-
11	VC+
10	GND
9	TRCT1/2/3/4
8	TRD 4+
7	TRD 4-
6	TRD 3+
5	TRD 3-
4	TRD 2+
3	TRD 2-
2	TRD 1+
1	TRD 1-

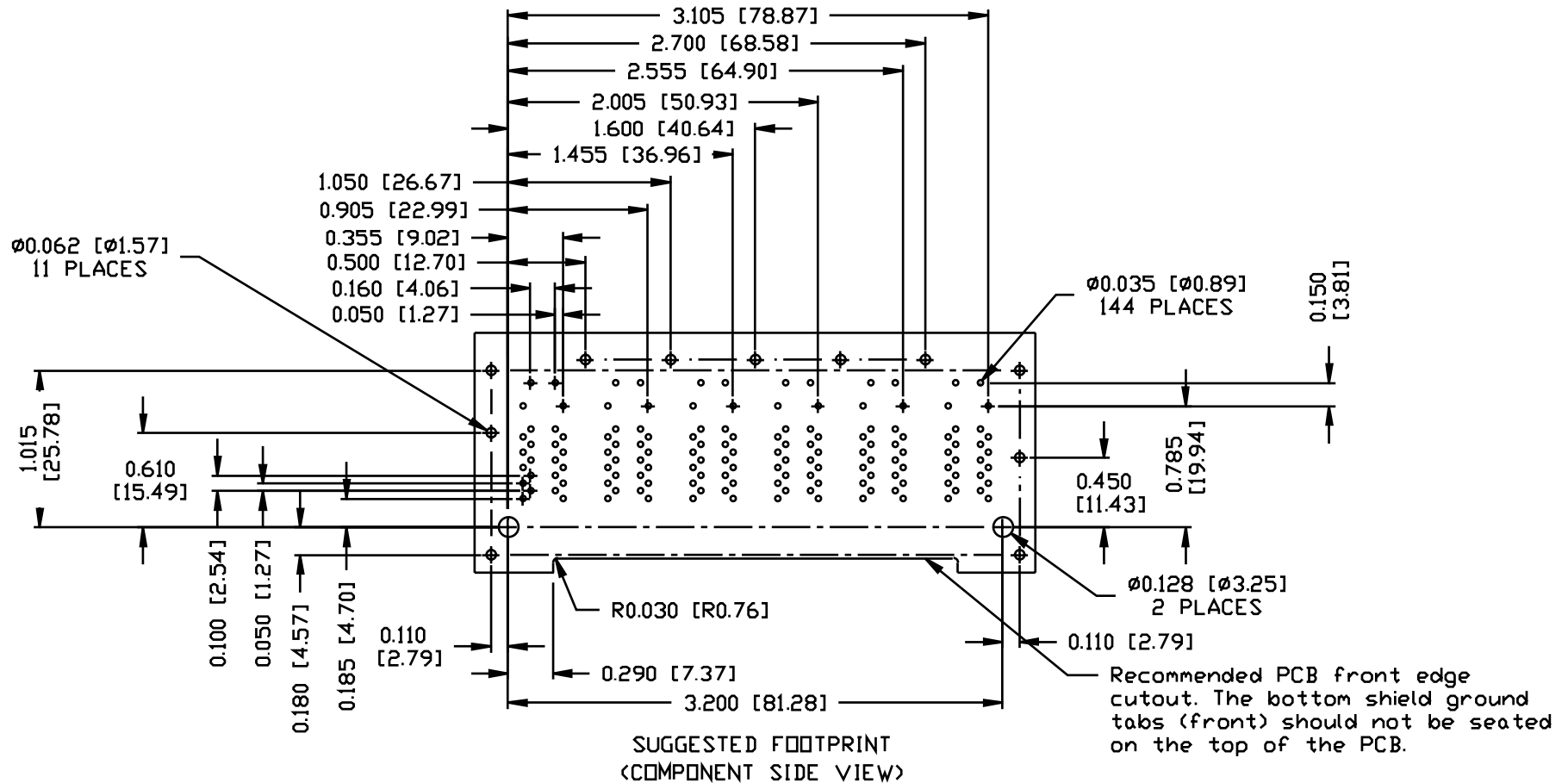
PORT ASSIGNMENT
(COMPONENT SIDE VIEW)



THE SHADED AREA OF BOTTOM SIDE OF PART
MAY BE COVERED BY METAL SHIELD.

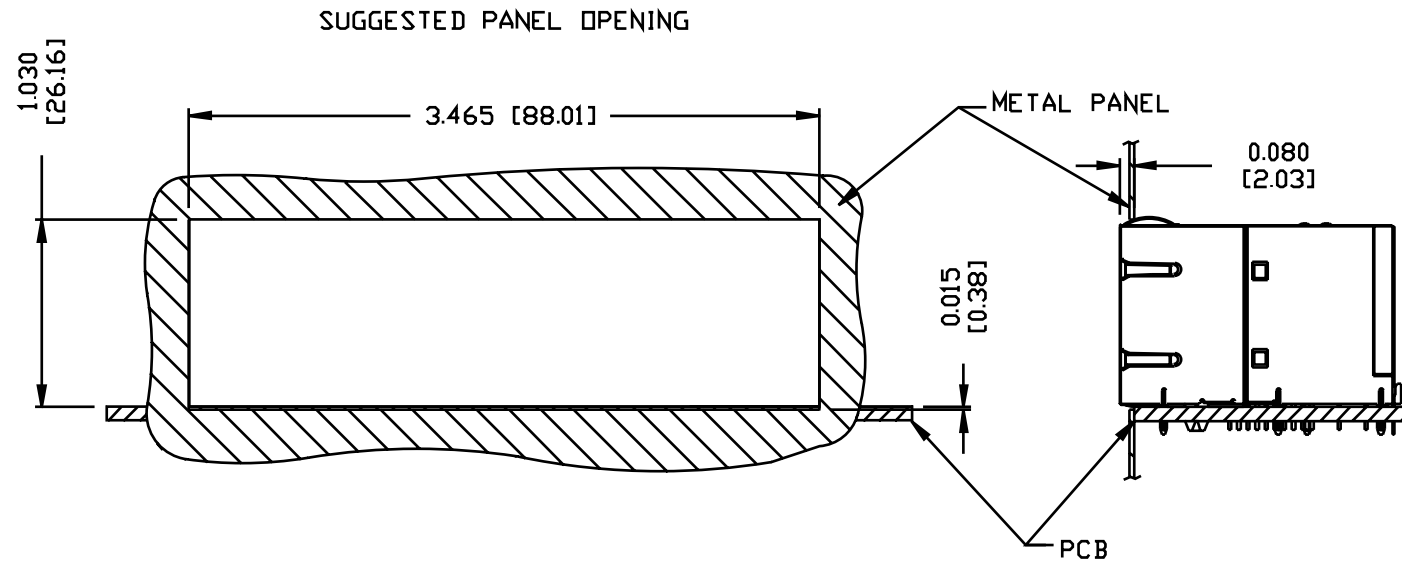
INTEGRATED CONNECTOR MODULES

0853-2X6R-66 Power over Ethernet MagJack® 2 x 6



INTEGRATED CONNECTOR MODULES

0853-2X6R-66 Power over Ethernet MagJack® 2 x 6



NOTE:

THE DISTANCE OF PANEL INSIDE SURFACE RELATIVE TO FRONT SURFACE OF PART IS ONLY A SUGGESTION. IN CASE THIS DISTANCE IS DIFFERENT, THE REQUIRED PANEL OPENING DIMENSIONS CHANGE ACCORDINGLY.
PACKING INFORMATION

PACKING TRAY : 0200-9999-B7 (TOP)

0200-9999-B8 (BOTTOM)

PACKING QUANTITY : 15 PCS FINISHED GOODS PER TRAY.

5 TRAYS (75 PCS FINISHED GOODS) PER CARTON BOX.

NOTE : CARDBOARDS ARE PLACED BETWEEN LAYERS OF PACKING TRAY INSIDE CARTON BOX.
(INCLUDE THE UPPERMOST AND LOWERMOST TRAY)