



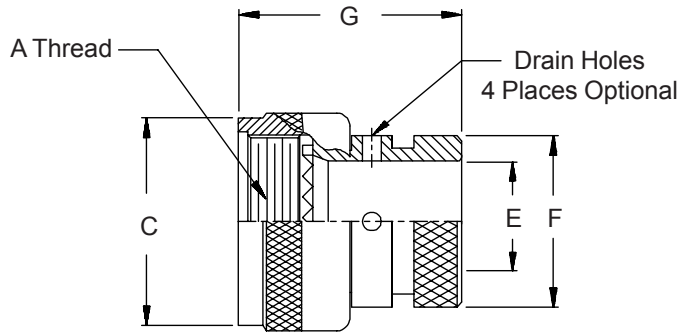
## AS85049/62 and M38999/2 Shrink Boot Adapters

**Glenair Connector  
Designator F**

**MIL-DTL-38999 Series I &  
II, 40M38277, PAN 6433-1,  
PATT 614, PATT 616,  
NFC93422 Series HE308 &  
HE309**

### M85049/62-10 W D

Basic Part No.	W	D	
Shell Size			Drain Hole Option (Omit for none)
			Finish
			A = Anodize Black
			N = Electroless Nickel
			W = 1,000 Hr. Cadmium Olive Drab Over Electroless Nickel



**TABLE I**

Shell Size	A Thread Class 2B	C Dia		E Dia Min	F Dia Min	G	
		+ .000 -.062	(0.0) (1.6)			Max	Max
08	.438 - 28 UNEF	.567	(14.4)	.250 (6.4)	.533 (13.5)	1.000	(25.4)
10	.562 - 24 UNEF	.704	(17.9)	.375 (9.5)	.605 (15.4)	1.000	(25.4)
12	.688 - 24 UNEF	.829	(21.1)	.500 (12.7)	.774 (19.7)	1.000	(25.4)
14	.813 - 20 UNEF	.954	(24.2)	.625 (15.9)	.838 (21.3)	1.000	(25.4)
16	.938 - 20 UNEF	1.079	(27.4)	.750 (19.1)	.963 (24.5)	1.000	(25.4)
18	1.063 - 18 UNEF	1.203	(30.6)	.812 (20.6)	1.042 (26.5)	1.000	(25.4)
20	1.188 - 18 UNEF	1.329	(33.8)	.937 (23.8)	1.217 (30.9)	1.000	(25.4)
22	1.313 - 18 UNEF	1.454	(36.9)	1.062 (27.0)	1.355 (34.4)	1.000	(25.4)
24	1.438 - 18 UNEF	1.579	(40.1)	1.188 (30.2)	1.443 (36.7)	1.000	(25.4)

1. For complete dimensions see applicable Military Specification.
2. Metric dimensions (mm) are indicated in parentheses.