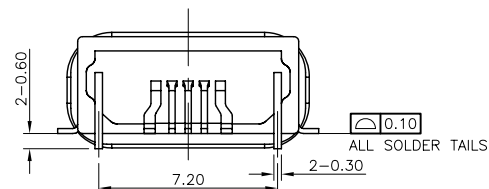
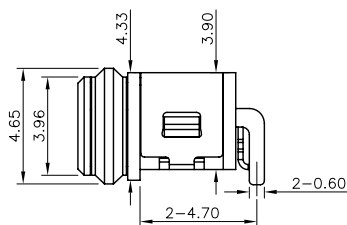
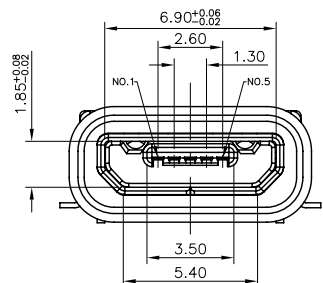
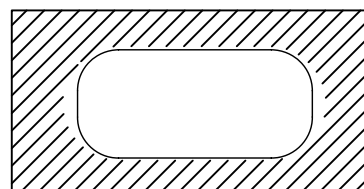
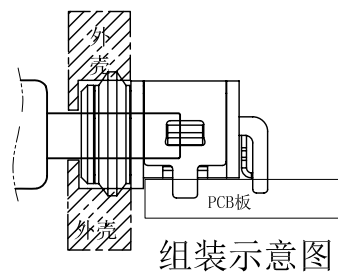
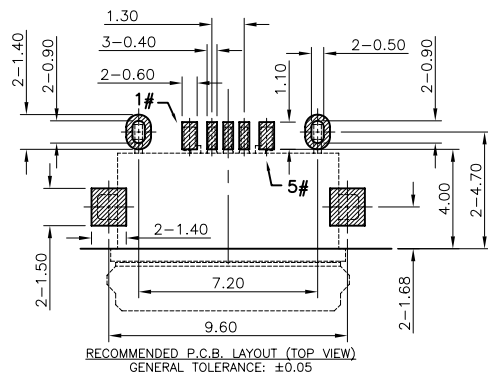


3D VIEW

Contact Number	Signal Name	Remarks
1#	VBUS	Power
2#	D-	Date-
3#	D+	Date+
4#	ID	Reserve or Ground
5#	GND	Ground



NO.	DESCRIPTION	QTY	MATERIAL	REMARK
①	Oval ring	1	Rubber	Black
②	Glue	1	-----	Black
③	U-shaped frame	1	Copper alloy or stainless	Nickel plated
④	Inner shell	1	Copper alloy or stainless	Nickel plated
⑤	Terminal	5	Copper alloy, 0.15t	Gold Plated On Contact Area
⑥	Outer shell	1	High temperature thermoplastic	Black
⑦	Body	1	High temperature thermoplastic	Black



建议开槽尺寸
单边放大0.2mm

SPECIFICATIONS:

1. ELECTRICAL CHARACTERISTICS:

- 1.1. RATING: 3A(PIN1&5),0.5A(PIN2&3&4);
- 1.2. CONTACT RESISTANCE: 30 mΩ MAX.(INITIAL);
- 1.3. DIELECTRIC WITHSTANDING: 500V AC MIN.;
- 1.4. INSULATION RESISTANCE: 1000MΩ MIN.;
2. DURABILITY: 10,000 CYCLES MIN.;
3. INSERTION FORCE: 3.5Kgf (35N) Max.;
4. EXTRACTION FORCE: 0.8Kgf (8N) Min.;
5. WATER PROOFNESS: THIS PRODUCT IS BASED ON IPX7(1m,30min)
6. PLUG INTERFACE DIMENSIONS CONFORM TO USB2.0 SPEC.
7. PACKAGING: TAPE & REEL.



深圳市华宇创精密电子有限公司

TOLERANCE: X.X ±0.30 X.XX ±0.25 X.XXX ±0.15 X' ±2' X.X' ±0.5'	DRAWN BY : 陈一鸣	DATE : 2014-02-23	PART NAME: MICRO USB 5P B口 带防水胶圈 前贴后插
	CHECKED BY: 马跃	DATE : 2014-02-23	PART NO. HVCW196-USB05-720B
UNIT: mm [inch] SCALE:1:1 SIZE: A4	APPROVED BY: 邱敏	DATE : 2014-02-23	DRAW NO: HVC-USB18090418
			SHEET NO. 1 OF 1