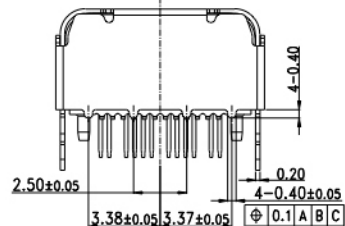
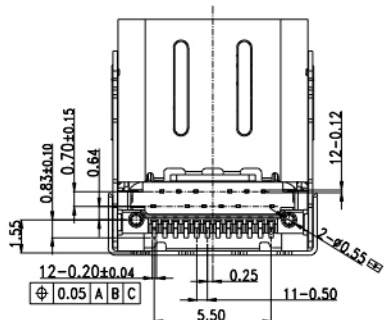
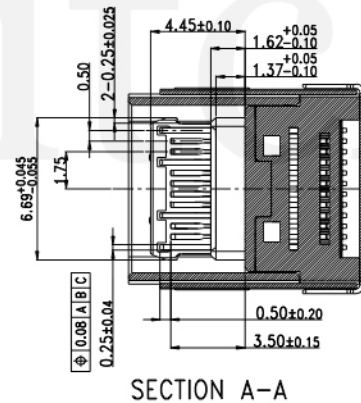


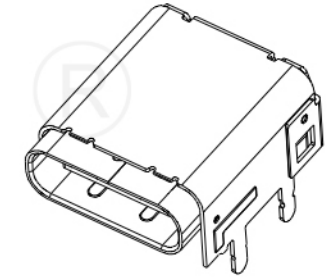
RECOMMENDED P.C.B LAYOUT (COMPONENT SIDE)  
PCB THICKNESS: 2.0±0.05mm



Pin No	Signal Name	Mating Sequence	Pin No	Signal Name	Mating Sequence
A1	GND	First	B12	GND	First
A2	TX1+	Second	B11	RX1+	Second
A3	TX1-	Second	B10	RX1-	Second
A4	Vbus	First	B9	Vbus	First
A5	CC1	Second	B8	SBU2	Second
A6	D+	Second	B7	D-	Second
A7	D-	Second	B6	D+	Second
A8	SBU1	Second	B5	CC2	Second
A9	Vbus	First	B4	Vbus	First
A10	RX2-	Second	B3	TX2-	Second
A11	RX2+	Second	B2	TX2+	Second
A12	GND	First	B1	GND	First
SHELL	GND		SHELL	GND	



SECTION A-A



NOTES:

1. MATERIAL : SEE TABLE
2. COPLANARITY : 0.10 Max.
3. ELECTRICAL CHARACTERISTICS  
LOW LEVEL CONTACT RESISTANCE: 40mΩ Max  
INSULATION RESISTANCE: 100MΩ MIN  
DIELECTRIC WITHSTANDING VOLTAGE: 100 VAC:  
CONTACT CURRENT RATING: 5A Max
4. MECHANICAL CHARACTERISTICS  
INSERTION FORCE: 5~20N  
EXTRACTION FORCE: 8~20N  
AFTER DURABILITY EXTRACTION FORCE: 6~20N
5. DURABILITY: 10000 CYCLES
6. PACKAGING TYPE: CARRIER TAPE.
7. SALT SPRAY : 24 HOURS



**b-Switch** 品贊科技® **G-Switch Electronic (HongKong) CO.,Ltd.**

Unless otherwise specified, Tolerance: X. ±0.30 X.x ±0.20 X.xx ±0.15 X.xxx ±0.10 Angles ±3°	DESIGN FengFengChen	DATE 2021.02.01	Molde code:	
	CHECKED	DATE	GT-USB-7065	
	APPROVED	DATE		
	<a href="http://www.dg-switch.com">http://www.dg-switch.com</a>		REV.: X1	SCALE: 4:1
TEL: 0769-82388879		SIZE: A4	SHEET: 1/1	