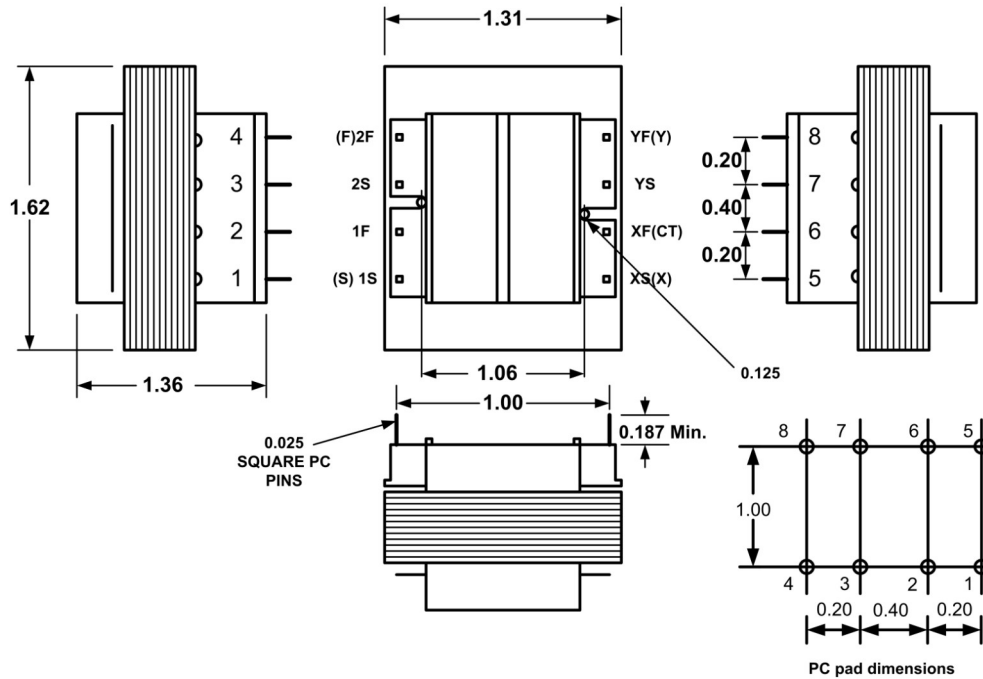


# ADMIRAL CLASS - INTERNATIONAL PRINTED CIRCUIT MOUNT, POWER TRANSFORMER



## 1. Electrical Specifications

- A. Maximum Power: 5VA
- B. Input Voltage and Frequency: 115V, 115/230V, 230V 50/60Hz
- C. Voltage Regulation: 18% TYP @ full load to no load
- D. Temperature Rise: 25°C TYP
- E. Insulation Resistance: > 1 MEG ohm
- F. Hi-Pot: 4000Vrms 1 minute @ Pri to Sec  
4000Vrms 1 minute @ Pri to Core  
4000Vrms 1 minute @ Sec to Core

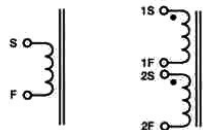
## 2. Marking: Ensign Corp, part number (see table), date code

## 3. Safety:

- UL/cUL 5085-2 Recognized Construction (File 47299)
- UL 60950 Recognized (File E144070)
- VDE 0805 Licensed (File 19019-3336-9002/A1C)
- UL 1446 Recognized Insulation System (File 95662)



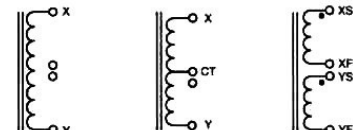
### Primary Schematics



Single Input  
(Specify 115V,  
120V, 230V or  
240V)

Dual Input  
(Specify  
115/230V or  
120/240V)

### Secondary Schematics



Single  
Output

Center-Tapped  
Output

Dual  
Output

Part Number			Series Connection	Parallel Connection
115V	115/230V	230V		
IP005-1-010X	IP005-2-010X	IP005-3-010X	10VCT @ 0.50A	5V @ 1.0A
IP005-1-012X	IP005-2-012X	IP005-3-012X	12.6VCT @ 0.40A	6.3V @ 0.80A
IP005-1-016X	IP005-2-016X	IP005-3-016X	16VCT @ 0.31A	8V @ 0.62A
IP005-1-020X	IP005-2-020X	IP005-3-020X	20VCT @ 0.25A	10V @ 0.50A
IP005-1-024X	IP005-2-024X	IP005-3-024X	24VCT @ 0.21A	12V @ 0.42A
IP005-1-028X	IP005-2-028X	IP005-3-028X	28VCT @ 0.18A	14V @ 0.36A
IP005-1-036X	IP005-2-036X	IP005-3-036X	36VCT @ 0.14A	18V @ 0.28A



**POWER TRANSFORMER  
ADMIRAL CLASS**

**IP005-1-XXXX  
IP005-2-XXXX  
IP005-3-XXXX**

CONTENTS OF THIS DRAWING ARE SUBJECT TO  
CHANGE WITHOUT PRIOR NOTICE

**Ensign Corporation**  
201 ENSIGN RD., BELLEVUE, IA 52031

Dim: Inches

Sheet 1 of 1

PROPRIETARY NOTICE: THIS DRAWING PRINT OR DOCUMENT AND SUBJECT MATTER DISCLOSED HEREIN ARE PROPRIETARY ITEMS TO WHICH ENSIGN RETAINS THE EXCLUSIVE RIGHT OF DISSEMINATION, MANUFACTURE AND SALE. THIS DRAWING, PRINT OR DOCUMENT IS SUBMITTED IN CONFIDENCE FOR CONSIDERATION BY THE RECIPIENT ALONE UNLESS PERMISSION FOR FURTHER DISCLOSURE IS EXPRESSLY GRANTED IN WRITING