

## Metric OMNI-BLOK® Fuse Block Molded Base Type



The metric Omni-Blok® fuse block, for 5 x 20mm size fuses, is a low profile design that is available with a choice of solder type terminals, NEMA style QC terminals, or PC board mountable terminals. Each of these designs has tin-plated brass terminals. A unique design feature provides self-alignment of the clips to the fuse caps. This feature, plus a one-piece clip/terminal design, assures low contact resistance. An anti-rotation feature is also available on the solder and QC terminal designs.

**APPROVALS:** Recognized under the Components Program of Underwriters Laboratories and Certified by CSA. VDE and Semko approved.

### SPECIFICATIONS:

Electrical:	UL/CSA	VDE/Semko
Solder Type —	10A, 300V.	6.3A, 250V.
Q.C. Type —	10A, 300V.	6.3A, 250V.
PCB Type —	10A, 300V.	6.3A, 250V.

**Dielectric Strength:** 1500V., Minimum.

**Clip/Terminals:** Tin-Plated Spring Brass.

**Base:** Glass reinforced Thermoplastic, UL 94V0 flammability rating.

Gray color (GY) for anti-rotational series, black color for all others.

**Ambient Temperature:** -40°C to +85°C.

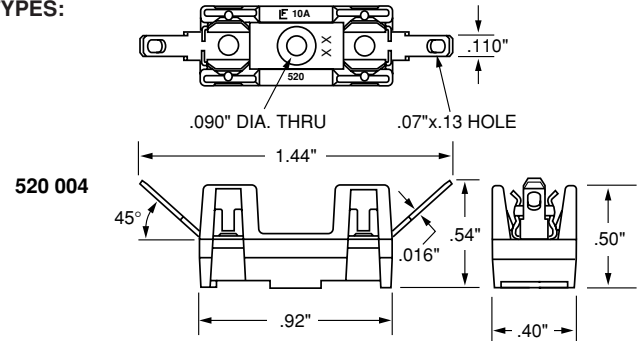
### PATENTED

### ORDERING INFORMATION:

Catalog Number	Typical Overall Width	Clip/Terminals	Anti-Rotation Boss
<b>Solder Type Terminals</b>			
520 004	.40"	Brass	No
<b>NEMA Style .110" Q.C. Terminals</b>			
520 003	.40"	Brass	No
520 005-GY	.40"	Brass	Yes
<b>PC Board Mount</b>			
520 101	.40"	Brass	No

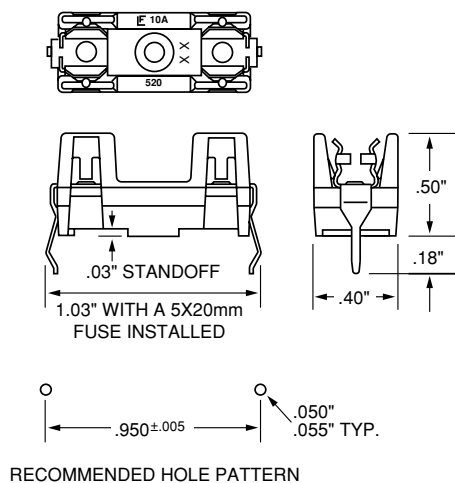


### SOLDER TERMINAL TYPES:



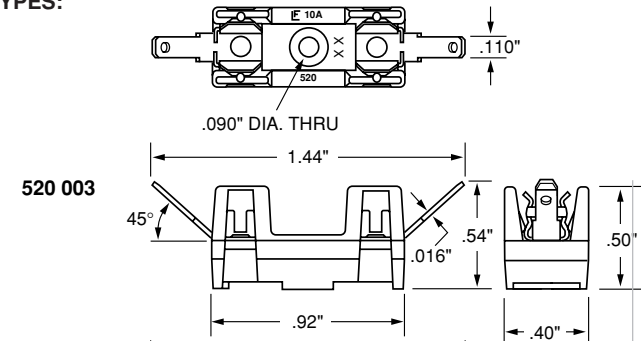
### P.C. MOUNT TYPE

520 101



### Q.C. TERMINAL TYPES:

520 003



520 005-GY

