

1

2

3

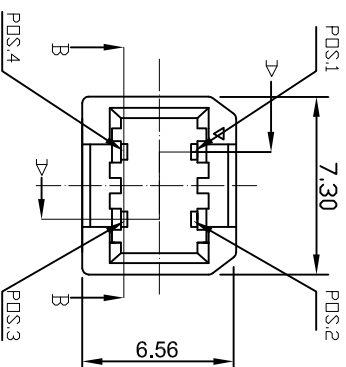
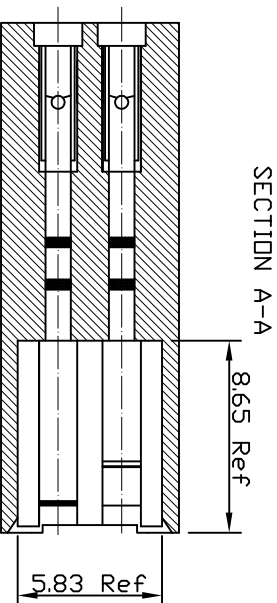
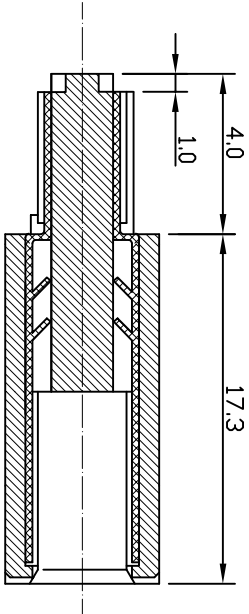
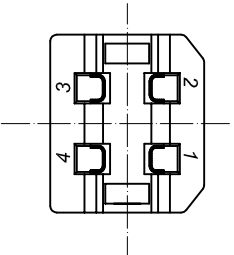
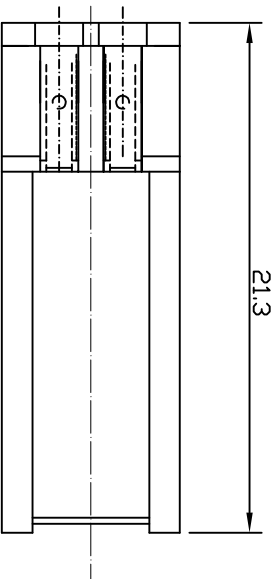
4

5

6

7

⑤ USB2.0 COMPLIANT



NOTE:
 1. MATERIALS:
 INSULATION: PBT 30%GLASS FILLED UL94V-0
 COLOR: WHITE
 CONTACT: COPPER ALLOY PREPLATEIVE 30U" GOLD PLATED

A

B

C

D

E

F

G

H

Scale	1:1																		
TOLERANCE																			
.XX	±0.10					Drawn	Date	Name											
.X	±0.20					Approved	10.02.2014	Ray											
X.	±0.50																		
XX.	±1																		
DIM	TOL																		
Angle	TOL																		

RoHS compliant

1

2

3

4

5

6

7

Customer-No.

ASSMANN WSW-No. A-USBPB-2

Drawing-No.

ASS 6282 CO rev00

Replace

Sheet 1 / 4



1

2

3

4

5

6

7

A

A

NOTE:

1.0.MATERIALS:
1.1.COLD ROLL STEEL, t=0.35mm

2.0.FINISHES:

2.1.5.0um Min. BRIGHT TIN/LEAD(9:1) OVER 5.0um Min. COPPER

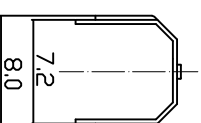
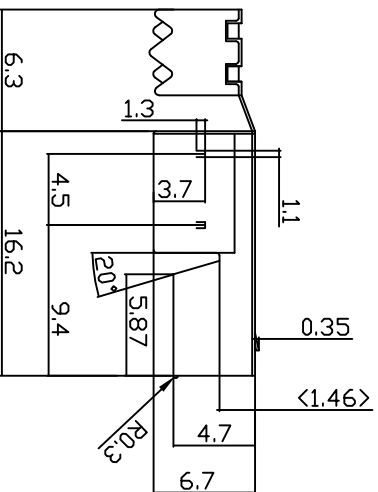
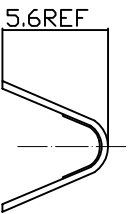
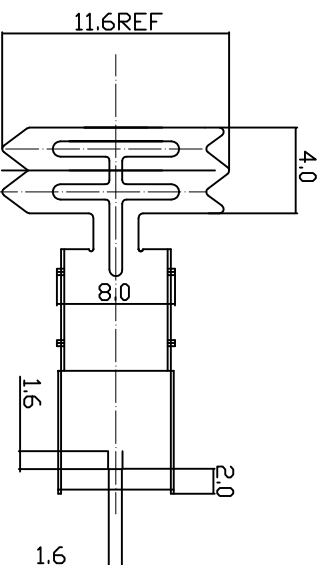
2.2.3.0um-5.0um NICKEL OVER 5.0um Min. COPPER

2.3.1.5u" Min. Au+80~150u" NICKEL +100u"Min. COPPER

2.4.3.0um-5.0um NICKEL OVER 5.0um Min. COPPER(SPECIAL PLATED)

3.0.APPLICATION CABLE SPEC:

UL CSA Type	AWG Signal wires Power wires	Jackel OD.	Cable length(max.)
UL CM	28AWG x 11P, 28AWG x 2Cores	4.2mm	0.81m
UL FT4	28AWG x 11P, 26AWG x 2Cores	4.4mm	1.31m
	28AWG x 11P, 24AWG x 2Cores	4.7mm	2.08m
	28AWG x 11P, 22AWG x 2Cores	5.0mm	3.33m
	28AWG x 11P, 20AWG x 2Cores	5.0mm	5.00m



G

G

Scale	1:1
TOLERANCE	
.XX	±0.10
.X	±0.20
X.	±0.50
XX.	±1
DIM	TOL
Angle	TOL

Id.	Drawn	Modification	Date	Name
①			10.02.2014	Ray

Date	Name
10.02.2014	Ray
10.02.2014	Ray

Customer-No.	ASSMANN WSW-No.
	A-USBPB-2
Drawing-No.	ASS 6282 CO
Replace	rev00

H

H

RoHS compliant

Sheet	2 / 4
-------	-------

Customer-No.	ASSMANN WSW-No.
	A-USBPB-2
Drawing-No.	ASS 6282 CO
Replace	rev00

Date	Name
10.02.2014	Ray
10.02.2014	Ray

Customer-No.	ASSMANN WSW-No.
	A-USBPB-2
Drawing-No.	ASS 6282 CO
Replace	rev00

1

2

3

4

5

6

7



1

2

3

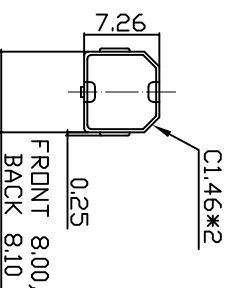
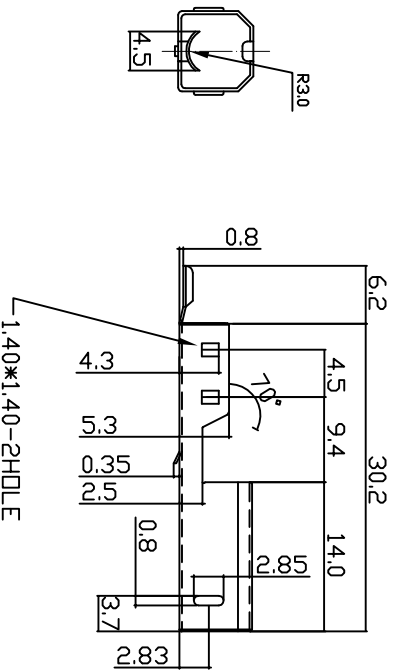
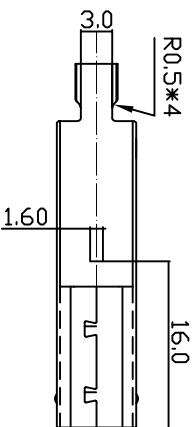
4

5

6

7

H



NOTE:
 1.0.MATERIALS:
 1.1.COLD ROLL STEEL, t=0.35mm
 2.0.FINISHES:
 2.1.5.0um Min.BRIGHT TIN/LEAD(9:1) OVER 5.0um Min.COPPER
 2.2.3.0um-5.0um NICKEL OVER 5.0um Min.COPPER
 2.3.1.5u" Min.Au+80~150U".NICKEL+100U"Min.COPPER
 2.4.3.0um-5.0um NICKEL OVER 5.0um Min.COPPER(SPECIAL PLATED)
 3.0.OTHER:

Scale	1:1																		
TOLERANCE																			
.XX	±0.10																		
.X	±0.20																		
X.	±0.50																		
XX.	±1																		
DIM	TOL																		
Angle	TOL																		

RoHS compliant

1	2	3	4	5	6	7	A
1	2	3	4	5	6	7	B
1	2	3	4	5	6	7	C
1	2	3	4	5	6	7	D
1	2	3	4	5	6	7	E
1	2	3	4	5	6	7	F
1	2	3	4	5	6	7	G
1	2	3	4	5	6	7	H

Customer-No.
 ASSMANN WSW-No.
A-USBPB-2

Drawing-No.

ASS 6282 CO rev00



Replace Sheet 3 / 4

	1	2	3	4	5	6	7	
A								
B	<p>ASSEMBLY PROCESS</p> <p>PART:</p> <p>Housing with contact</p> <p>Front Shell</p> <p>Back Shell</p>							
C	<p>NOTES:</p> <p>Rating: 30VAC (R.M.S)</p> <p>Voltage: 1.5 AMPERE MINIMUM PER CONTACT AT 30°C T-RISE TEMPERATURE: -55°C TO +85°C UNLESS LIMITED BY CABLE OR OVERMOLD (-40°C TO +60°C STORAGE: 0°C TO +40 °C (OPERATING) ELECTRIC RESISTANCE: 30 MILLIOHMS MAXIMUM INITIAL INSULATION RESISTANCE: 1000 MEGOHMS MINIMUM DIELECTRIC WITHSTANDING VOLTAGE: 500VAC AT SEA LEVEL CAPACITANCE: 2 PICOFARADS MAXIMUM AT 1KHZ MODIFICATION SEAM DIRECTION CIRCUMGYRATE: 180 DEGREE</p>							
D	<p>Customer-No.</p> <p>ASSMANN WSW-No.</p> <p>A-USBPB-2</p>							
E	<p>Scale 1:1</p> <p>TOLERANCE</p> <p>.XX ±0.05</p> <p>.X ±0.10</p> <p>X. ±0.15</p> <p>DIM TOL</p> <p>X° ±3°</p> <p>X° ±1.0°</p> <p>Angle TOL</p>							
F	<p>Drawn</p> <p>10.02.2014</p> <p>Ray</p> <p>Approved</p> <p>10.02.2014</p> <p>Ray</p>							
G	<p>ASSMANN WSW components</p>							
H	<p>ASS 6282 CO</p> <p>rev00</p> <p>4 / 4</p>							

RoHS compliant



ASSMANN WSW components