

PLEASE CHECK WWW.MOLEX.COM FOR LATEST PART INFORMATION

Part Number: [0474036202](#)
Status: **Active**
Overview: [esatausb_combo_receptacles](#)
Description: Combo External Serial ATA and USB Receptacles, Right Angle, Through Holewith SMT type Front Solder Tabs, Reverse Mount on Recessed PCB, Lead free

Documents:

[Drawing \(PDF\)](#) [RoHS Certificate of Compliance \(PDF\)](#)

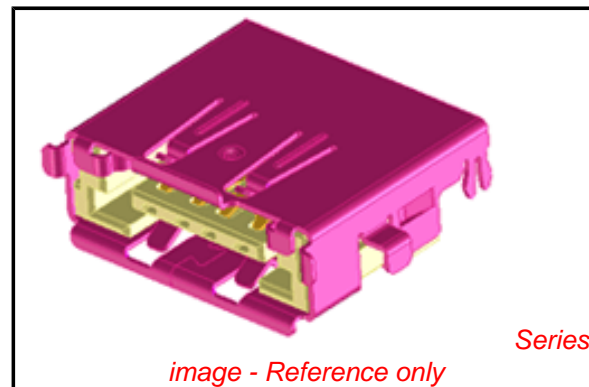
General

Product Family	I/O Connectors
Series	47403
Application	Wire-to-Board
Comments	SMT type front solder tabs . Reverse mounted on recessed PCB . Durability: 1,500 cycles for USB; 2,500 cycles for eSATA
Component Type	Receptacle
Overview	esatausb_combo_receptacles
Product Name	eSATA/USB Combo, External Serial ATA, USB
Type	N/A

Physical

Circuits (Loaded)	4, 7
Circuits Detail	eSATA: 7 circuits; USB: 4 circuits
Color - Resin	Black
Durability (mating cycles max)	1,500
Gender	Male
Keying to Mating Part	Yes
Lock to Mating Part	Yes
Material - Metal	Copper Alloy
Material - Plating Mating	Gold
Material - Plating Termination	Tin
Material - Resin	High Temperature Thermoplastic
Number of Rows	2
Orientation	Right Angle
PCB Locator	No
PCB Retention	Yes
PCB Thickness Recommended (in)	0.047 In
PCB Thickness Recommended (mm)	1.20 mm
Packaging Type	Embossed Tape on Reel
Panel Mount	Yes
Pitch - Mating Interface (in)	0.050 In, 0.079 In, 0.098 In
Pitch - Mating Interface (mm)	1.27 mm, 2.00 mm, 2.50 mm
Pitch - Term. Interface (in)	0.050 In, 0.079 In, 0.098 In
Pitch - Term. Interface (mm)	1.27 mm, 2.00 mm, 2.50 mm
Plating min: Mating (µin)	30
Plating min: Mating (µm)	0.76
Plating min: Termination (µin)	80
Plating min: Termination (µm)	2
Polarized to Mating Part	Yes
Polarized to PCB	Yes
Ports	1
Temperature Range - Operating	-35°C to +85°C
Termination Interface: Style	Through Hole

Electrical



EU RoHS

ELV and RoHS Compliant
REACH SVHC
 Not Reviewed
Halogen-Free Status
 Not Reviewed

China RoHS



Need more information on product environmental compliance?

Email productcompliance@molex.com
 For a multiple part number RoHS Certificate of Compliance, [click here](#)

Please visit the [Contact Us](#) section for any non-product compliance questions.

Search Parts in this Series

[47403Series](#)

Mates With

External Serial ATA Cable Assembly or USB Type A Cable Assembly

Current - Maximum per Contact	1.5A
Grounding to Panel	Yes
Shield Type	Full Shield
Shielded	Yes
Voltage - Maximum	15V DC

Solder Process Data

Duration at Max. Process Temperature (seconds)	20
Lead-free Process Capability	Reflow Capable (SMT only)
Max. Cycles at Max. Process Temperature	3
Process Temperature max. C	255

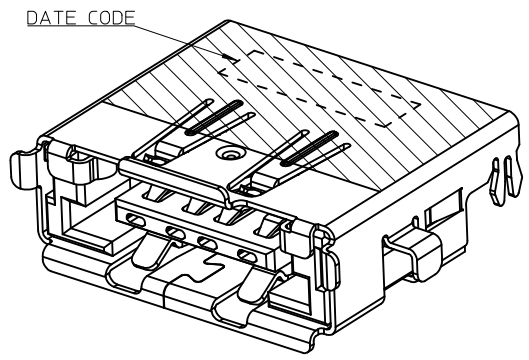
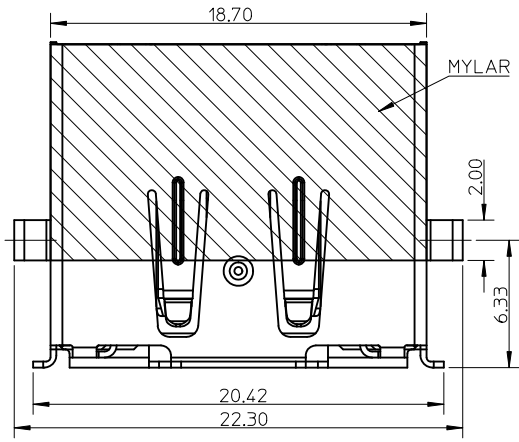
Material Info

Reference - Drawing Numbers

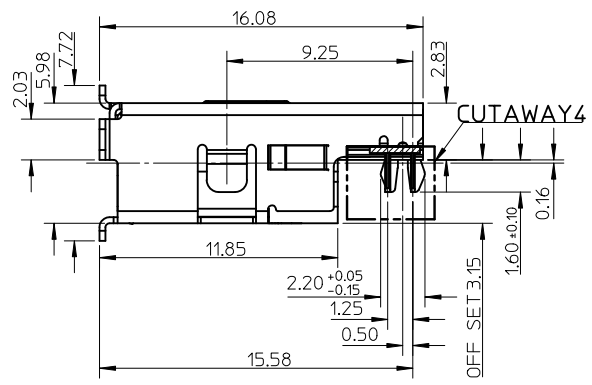
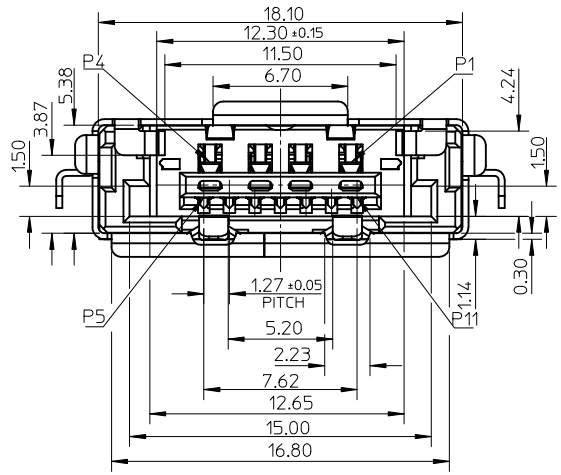
Sales Drawing	SD-47403-620
---------------	--------------

This document was generated on 05/26/2010

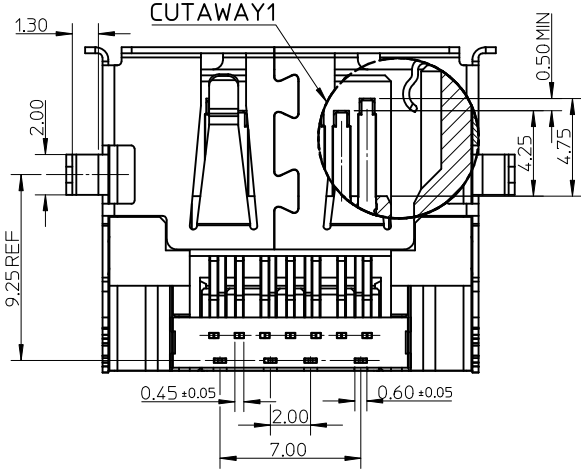
PLEASE CHECK WWW.MOLEX.COM FOR LATEST PART INFORMATION



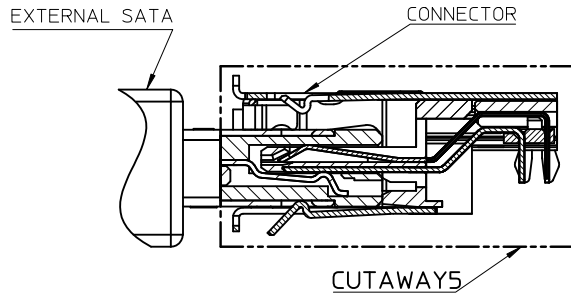
- NOTES:
1. MATERIAL: HIGH TEMPERATURE THERMOPLASTIC, 30% GLASS FILLED, BLACK, UL94V-0.
TERMINAL-1: COPPER ALLOY.
TERMINAL-2: COPPER ALLOY.
METAL SHELL: STAINLESS STEEL.
 2. TERMINAL PLATING:
CONTACT AREA: GOLD PLATING.
SOLDER AREA: TIN PLATING, 2.0 MICROMETERS MINIMUM.
UNDER PLATING: NIKEL PLATING, 2.0 MICROMETERS MINIMUM.
 3. METAL SHELL PLATING:
SOLDERABLE NIKEL PLATING 0.76 MICRONS MINIMUM.
 4. PRODUCT SPECIFICATION: PS-47403-001.
 5. PACKAGE SPECIFICATION: PK-47403-016.
 6. PRODUCT COMPLIANT TO RoSH DIRECTIVE 2002/95/EC AND ELV2000/53/EC.



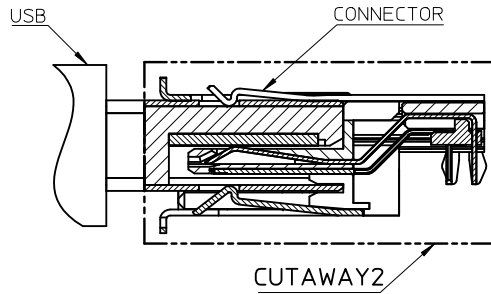
P/N	GOLD PLATING SPEC
47403-6200	GOLD FLASH
47403-6201	15u" MINIMUM
47403-6202	30u" MINIMUM



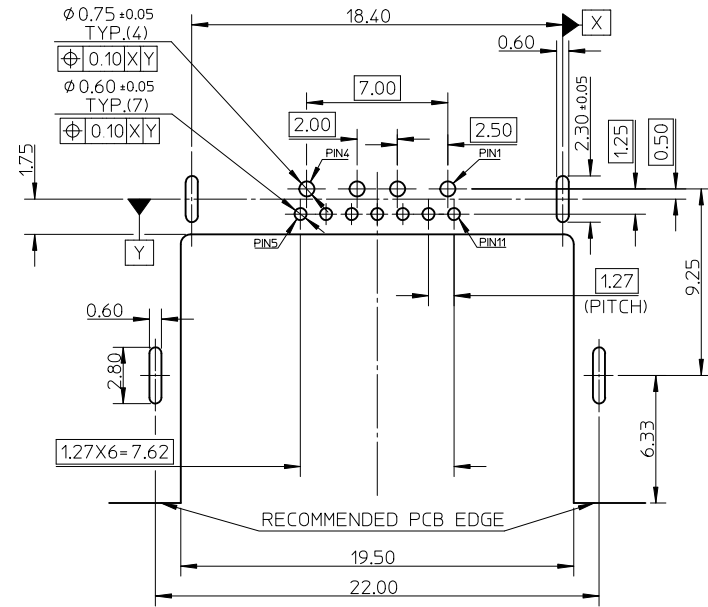
NEW RELEASE EC NO: SH2010-0379 DRWING: LLI 2010/04/02 CHKD: STARY SONG 2009/05/14 APPR: RZHIANG 2010/04/21	QUALITY SYMBOLS $F_{\alpha} = 0$ $F_{\beta} = 0$ $F_{\gamma} = 0$	GENERAL TOLERANCES (UNLESS SPECIFIED) mm INCH 4 PLACES ± --- ± --- 3 PLACES ± --- ± --- 2 PLACES ± 0.25 ± --- 1 PLACE ± 0.25 ± --- ANGULAR ± 3°	DIMENSION STYLE MM ONLY	SCALE 4:1	DESIGN UNITS METRIC	THIRD ANGLE PROJECTION	
	DRAWN BY DIXON LI	DATE 2009/05/14	TITLE SALES DRAWING FOR COMBO OF EXTERNAL SATA AND USB REVERSE TYPE				
	CHECKED BY STARY SONG	DATE 2009/05/14	APPROVED BY RZHANG	DATE 2010/04/14	MATERIAL NO. SEE TABLE	DOCUMENT NO. SD-47403-620	SHEET NO. 1 OF 2
	DRAFT WHERE APPLICABLE MUST REMAIN WITHIN DIMENSIONS						THIS DRAWING CONTAINS INFORMATION THAT IS PROPRIETARY TO MOLEX INCORPORATED AND SHOULD NOT BE USED WITHOUT WRITTEN PERMISSION



MATING WITH EXTERNAL SATA



MATING WITH USB



RECOMMENDED PCB LAYOUT T=1.2MM
CONNECTOR SIDE, TOLERANCE: +7-0.05

PIN ASSIGNMENT

USB		I/O SATA	
NAME	TYPE	NAME	TYPE
P1	VBUS	P5	GND
P2	D-	P6	A+
P3	D+	P7	A-
P4	GND	P8	GND
		P9	B-
		P10	B+
		P11	GND

NEW RELEASE EC NO: SH2010-0379 DRW:GLL 2010/04/02 CHKD:STARY SONG 2009/05/14 APPR:RZHANG 2010/04/14	QUALITY SYMBOLS	DESCRIPTION
		=0
		=0.25
		=0.5

GENERAL TOLERANCES (UNLESS SPECIFIED)		mm	INCH
	4 PLACES	± ---	± ---
	3 PLACES	± ---	± ---
	2 PLACES	± 0.25	± ---
	1 PLACE	± 0.25	± ---
ANGULAR ± 3 °			
DRAFT WHERE APPLICABLE MUST REMAIN WITHIN DIMENSIONS			

DIMENSION STYLE		SCALE	DESIGN UNITS
MM ONLY		4:1	METRIC
DRAWN BY	DATE	TITLE	
DIXON LI	2009/05/14	SALES DRAWING FOR COMBO OF EXTERNAL SATA AND USB REVERSE TYPE	
CHECKED BY	DATE		
STARY SONG	2009/05/14		
APPROVED BY	DATE	MOLEX INCORPORATED	
RZHANG	2010/04/14	DOCUMENT NO.	
MATERIAL NO.		SHEET NO.	
SEE SHEET 1		SD-47403-620	
SIZE A3		2 OF 2	

THIRD ANGLE PROJECTION	
------------------------	--