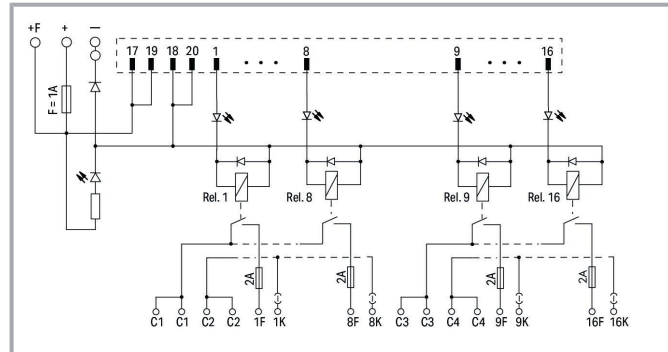
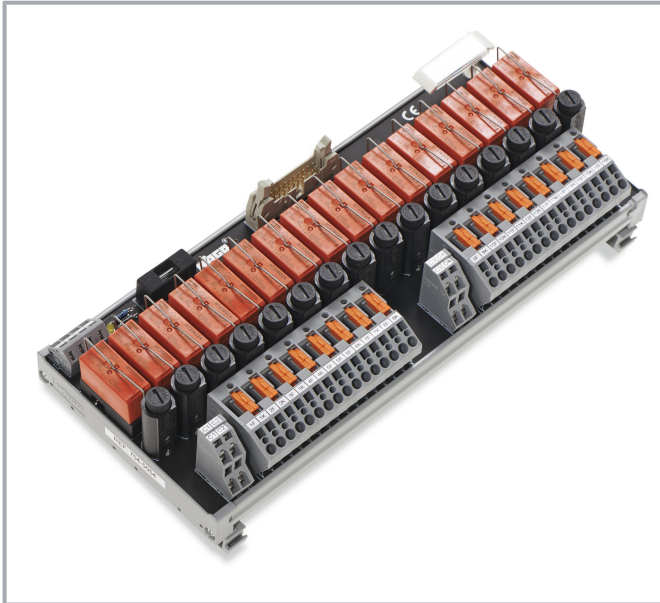


## Data sheet | Item number: 704-5054

Interface module for system wiring; Pluggable connector per DIN 41651; Male connector; 20-pole; 16-channel relay output; 1 make contact; with disconnect terminal block and fuse; in mounting carrier; 2,50 mm<sup>2</sup>

[www.wago.com/704-5054](http://www.wago.com/704-5054)



### Data

#### Notes

Note

Independent of the relay used, the maximum continuous current is 5A per channel.

### Electrical data

Inputs/outputs	16-channel relay output
Nominal operating voltage	DC 24 V
Operating voltage range	±10 %
Number of make/switch-on contacts	1
Limiting continuous current	2 A
Switching voltage (max.)	AC 250 V; DC 48 V
Switching power (resistive) (max.)	AC 500 VA; DC 50 W
Mechanical life	30 x 10 <sup>6</sup> switching operations

Subject to changes. Please also observe the further product documentation!

WAGO GmbH & Co. KG  
Hansastr. 27  
32423 Minden  
Phone: +49571 887-0 | Fax: +49571 887-169  
Email: [info.de@wago.com](mailto:info.de@wago.com) | Web: [www.wago.com](http://www.wago.com)

Do you have any questions about our products?  
We are always happy to take your call at +49 (571) 887-44222.



Status indicator	Green LED (channel) Yellow LED (power supply)
Internal fuse	Supply: 1 A; Relay output: 2 A
WAGO Basic Relay	788-154
Specialty functions	with disconnect/test terminal blocks with output fuse

### Safety and protection

Rated voltage	50 V
Rated surge voltage	0.8 kV
Pollution degree	2
Dielectric strength, control/load circuit (AC, 1 min)	4 kVrms
Dielectric strength, load/load circuit (AC, 1 min)	1 kVrms

### Connection data

Compatible PLC Modules	Siemens S7-300 Siemens S7-400 Siemens S7-1500 GE Fanuc 9030 GE Fanuc RX3i Schneider Modicon TM3 Schneider TSX Schneider Twido Schneider Modicon M340 Schneider Modicon Quantum Rockwell Compact Logix Rockwell Control Logix WAGO I/O System 753 WAGO I/O System 750 Omron CJ1W
Compatible PLC I/O Card Types	6ES7 313-5BE01-0AB0 6ES7 313-5BG04-0AB0 6ES7 313-6BE01-0AB0 6ES7 313-6BF03-0AB0 6ES7 313-6CE01-0AB0 6ES7 313-6CF03-0AB0 6ES7 314-6BF01-0AB0 6ES7 314-6BG03-0AB0 6ES7 314-6CF01-0AB0 6ES7 314-6CG03-0AB0 6ES7 322-1BH01-0AA0 6ES7 322-1BH10-0AA0 6ES7 322-1BH80-0AA0 6ES7 322-1BL00-0AA0

Subject to changes. Please also observe the further product documentation!

WAGO GmbH & Co. KG  
Hansastr. 27  
32423 Minden  
Phone: +49571 887-0 | Fax: +49571 887-169  
Email: [info.de@wago.com](mailto:info.de@wago.com) | Web: [www.wago.com](http://www.wago.com)

Do you have any questions about our products?  
We are always happy to take your call at +49 (571) 887-44222.



6ES7 322-1BP00-0AA0  
6ES7 322-1EH01-0AA0  
6ES7 322-8BH01/8BH10-0AB0  
6ES7 323-1BL00-0AA0  
6ES7 422-1BL00-0AA0  
6ES7 511-1CK00-0AB0  
6ES7 512-1CK00-0AB0  
6ES7 522-1BH00-0AB0  
6ES7 522-1BH01-0AB0  
6ES7 522-1BH10-0AA0  
6ES7 522-1BL00-0AB0  
6ES7 522-1BL01-0AB0  
6ES7 522-1BL10-0AA0  
6ES7 523-1BL00-0AA0  
IC693 MDL740  
IC693 MDL742  
IC693 MDL753  
IC694 MDL753  
TM3 DQ16T(G)  
TM3 DQ16TK  
TM3 DQ32TK  
TSX DSZ 32T2  
TSX DMZ 28DT  
TSX DMZ 28DTK  
TSX DMZ 64DTK  
TSX DSY 16T2  
TSX DSY 32T2K  
TSX DSY 64T2K  
TSX DMY 28FK  
TSX DMY 28RFK  
TM2 DDO 16TK  
TM2 DDO 32TK  
BMX DDO 1602  
BMX DDO 3202K  
BMX DDO 6402K  
BMX DDM 3202K  
140 DDO 353 00  
140 DDO 353 01  
140 DDO 364 00  
140 DVO 853 00  
1769 - OB16  
1769 - OB16P  
1769 - OB32  
1769 - OB32T  
1756 - OB16E  
1756 - OB32  
753-530 (x2)  
750-1500

Subject to changes. Please also observe the further product documentation!

---

WAGO GmbH & Co. KG

Hansastr. 27

32423 Minden

Phone: +49571 887-0 | Fax: +49571 887-169

Email: [info.de@wago.com](mailto:info.de@wago.com) | Web: [www.wago.com](http://www.wago.com)

Do you have any questions about our products?

We are always happy to take your call at +49 (571) 887-44222.



	CJ1W-OD212 CJ1W-OD232 CJ1W-OD262 CJ1W-MD232
Connection type (1)	System
Pole number 1	20
Pluggable connectors	DIN 41651 male connector
Mating direction	vertical
Connection type 2	Field
Pole number 2	32
Design 2	PCB terminal blocks
WAGO Connector 2	WAGO 742 Series
Solid conductor 2	0.08 ... 2.5 mm <sup>2</sup> / 28 ... 12 AWG
Fine-stranded conductor 2	0.08 ... 2.5 mm <sup>2</sup> / 28 ... 12 AWG
Strip length 2	8 ... 9 mm / 0.31 ... 0.35 inch
Connection type (3)	Field
Pole number 3	8
Design 3	PCB terminal blocks (double-deck)
WAGO Connector 3	WAGO 736 Series
Solid conductor 3	0.08 ... 2.5 mm <sup>2</sup> / 28 ... 12 AWG
Fine-stranded conductor (3)	0.08 ... 2.5 mm <sup>2</sup> / 28 ... 12 AWG
Strip length 3	5 ... 6 mm / 0.2 ... 0.24 inch
Connection type (4)	Power supply
Pole number (4)	4
Design (4)	PCB terminal blocks
Connection technology 4	CAGE CLAMP®
WAGO Connector (4)	WAGO 236 Series
Solid conductor 4	0.08 ... 2.5 mm <sup>2</sup> / 28 ... 12 AWG
Fine-stranded conductor (4)	0.08 ... 2.5 mm <sup>2</sup> / 28 ... 12 AWG
Strip length (4)	5 ... 6 mm / 0.2 ... 0.24 inch
Note (conductor cross-section)	12 AWG: THHN, THWN

## Physical data

Width	240 mm / 9.449 inch
Height	105 mm / 4.134 inch
Depth from upper edge of DIN-rail	55 mm / 2.165 inch

Subject to changes. Please also observe the further product documentation!

WAGO GmbH & Co. KG  
Hansastr. 27  
32423 Minden  
Phone: +49571 887-0 | Fax: +49571 887-169  
Email: [info.de@wago.com](mailto:info.de@wago.com) | Web: [www.wago.com](http://www.wago.com)

Do you have any questions about our products?  
We are always happy to take your call at +49 (571) 887-44222.

## Mechanical data

Mounting type	DIN-35 rail
---------------	-------------

## Material data

Contact material (relay)	AgNi 90/10
Fire load	7.044 MJ
Weight	770 g

## Environmental requirements

Surrounding air temperature (operation)	-25 ... 50 °C
Surrounding air temperature (storage)	-40 ... 70 °C
Relative humidity	85% (non-condensing)

## Commercial data

Product Group	30 ()
PU (SPU)	1 Stück
Packaging type	box
Country of origin	QU
GTIN	4045454980177
Customs tariff number	85366990990

## Optional accessories

### Marking accessories

Marking strip



**Item no.: 2009-110**

Marking strips; for Smart Printer; on reel; not stretchable; plain; snap-on type; white

[www.wago.com/2009-110](http://www.wago.com/2009-110)



**Item no.: 709-196**

Marking strips; for laser printer; translucent

[www.wago.com/709-196](http://www.wago.com/709-196)



**Item no.: 709-178**

Marking strips; on reel; 7.5 mm wide; not stretchable; plain; snap-on type; white

[www.wago.com/709-178](http://www.wago.com/709-178)

Subject to changes. Please also observe the further product documentation!

WAGO GmbH & Co. KG

Hansastr. 27

32423 Minden

Phone: +49571 887-0 | Fax: +49571 887-169

Email: [info.de@wago.com](mailto:info.de@wago.com) | Web: [www.wago.com](http://www.wago.com)

Do you have any questions about our products?

We are always happy to take your call at +49 (571) 887-44222.



**Item no.: 709-177**

Marking strips; on reel; 7.5 mm wide; not stretchable; plain; snap-on type; translucent

**Cables and pluggable connectors**

System cable



**Item no.: 706-2300/301-300**

System cable; for Siemens S7-300; 2 x 16 digital inputs or outputs; Length: 3 m; Conductor cross-section: 0.14 mm<sup>2</sup>

[www.wago.com/706-2300/301-300](http://www.wago.com/706-2300/301-300)



**Item no.: 706-2300/301-200**

System cable; for Siemens S7-300; 2 x 16 digital inputs or outputs; Length: 2 m; Conductor cross-section: 0.14 mm<sup>2</sup>

[www.wago.com/706-2300/301-200](http://www.wago.com/706-2300/301-200)



**Item no.: 706-2300/200-100**

System cable; for Siemens S7-300; 2 x 16 digital outputs; Length: 1 m; Conductor cross-section: 0.14 mm<sup>2</sup>

[www.wago.com/706-2300/200-100](http://www.wago.com/706-2300/200-100)



**Item no.: 706-2300/200-300**

System cable; for Siemens S7-300; 2 x 16 digital outputs; Length: 3 m; Conductor cross-section: 0.14 mm<sup>2</sup>

[www.wago.com/706-2300/200-300](http://www.wago.com/706-2300/200-300)



**Item no.: 706-2300/200-200**

System cable; for Siemens S7-300; 2 x 16 digital outputs; Length: 2 m; Conductor cross-section: 0.14 mm<sup>2</sup>

[www.wago.com/706-2300/200-200](http://www.wago.com/706-2300/200-200)



**Item no.: 706-2300/300-100**

System cable; for Siemens S7-300; 16 digital inputs or outputs; Length: 1 m; Conductor cross-section: 0.14 mm<sup>2</sup>

[www.wago.com/706-2300/300-100](http://www.wago.com/706-2300/300-100)



**Item no.: 706-2300/301-100**

System cable; for Siemens S7-300; 2 x 16 digital inputs or outputs; Length: 1 m; Conductor cross-section: 0.14 mm<sup>2</sup>

[www.wago.com/706-2300/301-100](http://www.wago.com/706-2300/301-100)



**Item no.: 706-2300/300-200**

System cable; for Siemens S7-300; 16 digital inputs or outputs; Length: 2 m; Conductor cross-section: 0.14 mm<sup>2</sup>

[www.wago.com/706-2300/300-200](http://www.wago.com/706-2300/300-200)



**Item no.: 706-2300/300-300**

System cable; for Siemens S7-300; 16 digital inputs or outputs; Length: 3 m; Conductor cross-section: 0.14 mm<sup>2</sup>

[www.wago.com/706-2300/300-300](http://www.wago.com/706-2300/300-300)



**Item no.: 706-7753/301-200**

System cable; for WAGO-I/O-SYSTEM, 753 Series; 2 x 16 digital inputs or outputs; Length: 2 m; Conductor cross-section: 0.14 mm<sup>2</sup>

[www.wago.com/706-7753/301-200](http://www.wago.com/706-7753/301-200)

Connection cable



**Item no.: 706-100/1300-200**

Connection cable; 20-pole; Pluggable connector per DIN 41651; open-ended; Length: 2 m; Conductor cross-section: 0.14 mm<sup>2</sup>; UR components

[www.wago.com/706-100/1300-200](http://www.wago.com/706-100/1300-200)

Subject to changes. Please also observe the further product documentation!

WAGO GmbH & Co. KG

Hansastr. 27

32423 Minden

Phone: +49571 887-0 | Fax: +49571 887-169

Email: [info.de@wago.com](mailto:info.de@wago.com) | Web: [www.wago.com](http://www.wago.com)

Do you have any questions about our products?

We are always happy to take your call at +49 (571) 887-44222.



Item no.: 706-100/1300-400

Connection cable; 20-pole; Pluggable connector per DIN 41651; open-ended; Length: 4 m; Conductor cross-section: 0.14 mm<sup>2</sup>; UR components

[www.wago.com/706-100](http://www.wago.com/706-100)

/1300-400

## Downloads

### Documentation

#### Bid Text

704-5054 X81 - Datei	2019. 2. 19.	xml 4.2 kB	Download
-------------------------	--------------	---------------	----------

704-5054 doc - Datei	2015. 11. 20.	doc 27.6 kB	Download
-------------------------	---------------	----------------	----------

#### Additional Information

Disposal; Electrical and electronic equipment, Packaging	V 1.0.0	pdf 265.8 kB	Download
--	---------	-----------------	----------

#### System Description

WAGO System Wiring, Selection Guide This guide will help you select the appropriate interface modules and system cables for the controller you are using.		pdf 545.9 kB	Download
--	--	-----------------	----------

## CAD/CAE-Data

### CAE data

EPLAN Data Portal 704-5054		URL	Download
----------------------------	--	-----	----------

WSCAD Universe 704-5054		URL	Download
-------------------------	--	-----	----------

## Environmental Product Compliance

### Compliance Search

Environmental Product Compliance 704-5054 Interface module for system wiring; Pluggable connector per DIN 41651; Male connector; 20-pole; 16-channel relay output; 1 make contact; with disconnect terminal block and fuse; in mounting carrier; 2,50 mm <sup>2</sup>		URL	Download
--	--	-----	----------

Subject to changes. Please also observe the further product documentation!

Data sheet | Item number: 704-5054

[www.wago.com/704-5054](http://www.wago.com/704-5054)



## Installation Notes

Subject to changes. Please also observe the further product documentation!

---

WAGO GmbH & Co. KG  
Hansastr. 27  
32423 Minden  
Phone: +49571 887-0 | Fax: +49571 887-169  
Email: [info.de@wago.com](mailto:info.de@wago.com) | Web: [www.wago.com](http://www.wago.com)

Do you have any questions about our products?  
We are always happy to take your call at +49 (571) 887-44222.