



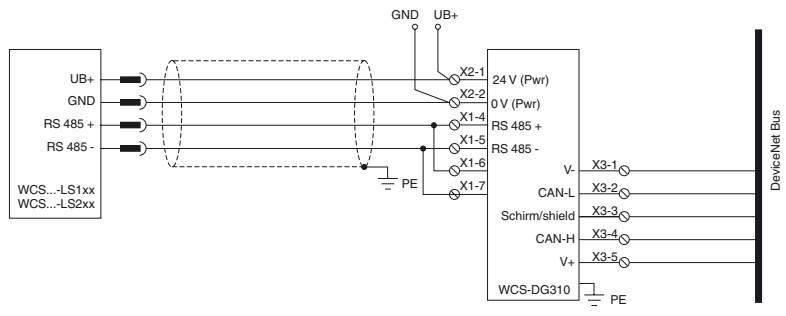
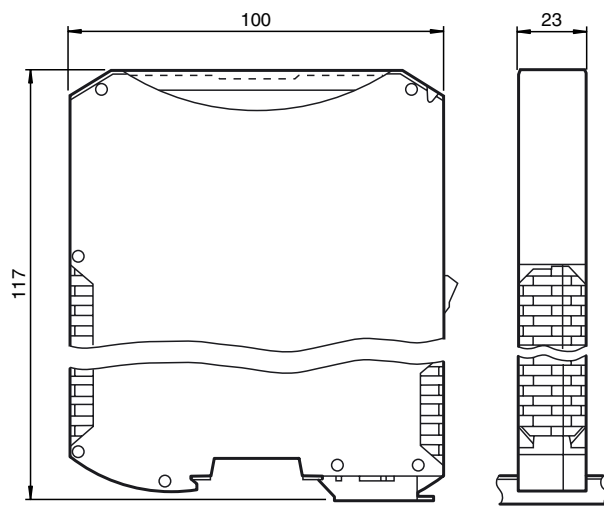
Model number

WCS-DG310
WCS DeviceNet interface module

Features

- Up to 4 read heads can be connected
- DIN rail mounting
- Integrated switch
- DeviceNet interface

Dimensions



Technical data

General specifications	
Installation	DIN rail mounting
Functional safety related parameters	
MTTF _d	180 a
Mission Time (T _M)	20 a
Diagnostic Coverage (DC)	0 %
Electrical specifications	
Operating voltage	U _B 10 ... 30 V DC
Power consumption	P ₀ ≤ 3.6 W (without read heads)
Interface 1	
Connection of	control system
Interface type	DeviceNet
Transfer rate	max. 500 kBit/s
Data output format	binary code
Bus termination resistor	switchable
Interface 2	
Connection of	Read head
Connectable read heads	WCS...-LS221 , WCS...-LS121
Interface type	RS-485
Transmission method	half duplex
Transfer rate	62.5 kBit/s
RS485 termination resistor	switchable
Refresh cycle of read head	1 ms
Standard conformity	
Emitted interference	EN 55011, cl. A: 2007
Noise immunity	EN 61000-6-2:2005
Ambient conditions	

Release date: 2017-11-14 09:45 Date of issue: 2017-11-14 276148_eng.xml

Operating temperature	0 ... 55 °C (32 ... 131 °F) , no moisture condensation
Storage temperature	-40 ... 70 °C (-40 ... 158 °F)
Relative humidity	≤ 80 %

Mechanical specifications

Connection type	Interface 1: terminal connection ≤ 2.5 mm ² , 5-pin Interface 2: terminal connection ≤ 2.5 mm ² , 7-pin
Housing width	23 mm
Housing height	116 mm
Degree of protection	IP20
Material	plastic
Installation position	any position
Mass	approx. 200 g