

TOLERANCE UNLESS SPECIFIED = .XXX = +/- .005 .XX = +/- .015 FRACTIONS = +/- .032

FS36-030.DC2

YYWW = YEAR, WEEK
XXX = SITECODE

M MagneTek - Triad
FS36-030
CLASS B **RU** us

EIA-17-YYWW
XXX B10

PRODUCTION TESTS

| | | |
|-----------------------|-------|--------------|
| TURNS RATIO = 100% | | |
| DC | (1-2) | 1650 TO 1900 |
| RESISTANCE IN OHMS | (3-4) | 2160 TO 2500 |
| | (5-6) | 78 TO 94 |
| | (7-8) | 99 TO 121 |

MAX EXCITATION CURRENT = .005 AMPS

APPLY = 230V, 60Hz PINS 1-4

CONNECT PINS 2-3

OPEN CIRCUIT VOLTAGE TEST:

APPLY 230V/60HZ PINS 1-4, CON. 2-3

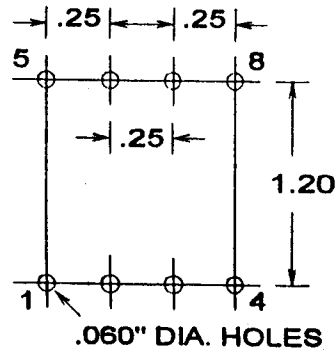
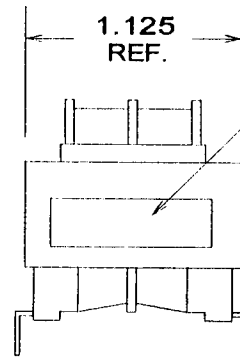
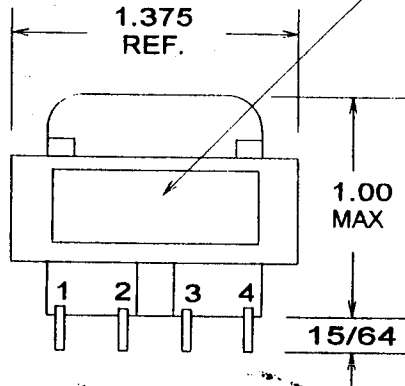
READ 23.2 TO 24.2 EACH SECONDARY

HIPOT = 2500V P-S, P-C, S-C

500V S-S, P-P

CONTINUITY :

FINAL ASSEMBLY NOTES



MagneTek

TRIPINO FS36-030

MEHQD

1 X 7100 PER 1 X 7100 PER LABEL DETAIL ABOVE