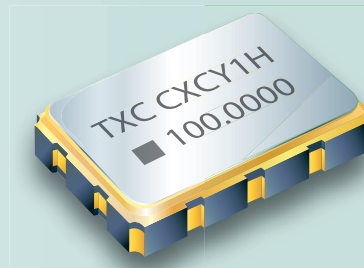


# SMD HCSL Crystal Oscillators - Differential Output 5.0 x 3.2 x 1.2 mm CX Series

Oscillators  
 Series

## Features

- 3.3V and 2.5V operation available.
- HCSL output, output frequencies 25 MHz to 200 MHz.
- Excellent low phase noise and jitter.
- Tri-State function available.
- PCI-Express, SAS, SATA and other high-Speed interface applications.
- RoHS Compliant / Pb Free.

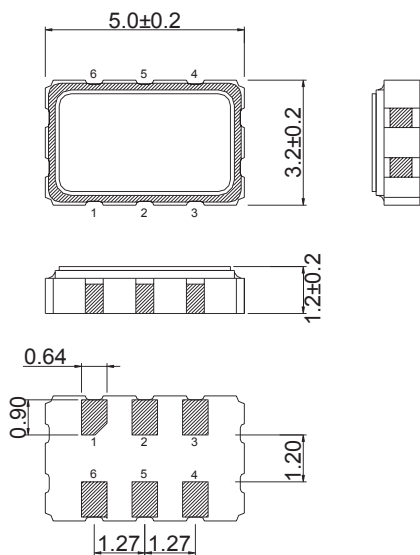


## Electrical Specifications

Item / Type	CX
Output Type	HCSL
Output Load	50 Ω
Oscillation Mode	3rd Overtone
Supply Voltage	2.5 V , 3.3 V
Frequency Range	25 MHz to 200 MHz
Overall Frequency Stability *	± 50 ppm , or specify
Operating Temperature Range	-10 ~ + 70 °C , - 40 ~ + 85 °C , or specify
Storage Temperature Range	- 55 ~ + 125 °C
Voltage Vol ( Typ. ) / Voh ( Typ. )	0 mV / 740 mV
Rise ( Tr ) / Fall ( Tf ) Time ( 20 % ~ 80 % )	0.5 nS Max.
Supply Current	30 mA Max.
Symmetry	45 ~ 55 %
Start-up Time	10 mS Max.
Phase Jitter ( 12 KHz ~ 20 MHz )	1.0 pS Max.

\* Inclusive of frequency tolerance at 25 °C, variation over temperature, supply voltage variation, aging and vibration.

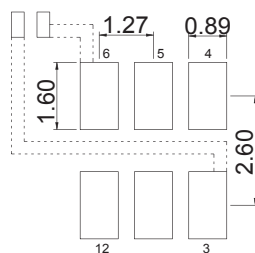
## Dimensions



### Pin Function:

1. Enable Control or NC
2. Enable Control or NC
3. GND
4. OUT
5. OUTN
6. VDD

### Land Pattern:



※ Pad dimension tolerance ±0.2 mm

※ Power Supply Decoupling Capacitor is Required.  
 ※ Pad dimension tolerance ±0.2 mm

Units: mm

Remark : Specification subject to change without prior notice. Please confirm with our sales. <http://www.txccorp.com>