

FEATURES

Fixed gain of 29 dB

Operation from 2.3 GHz to 2.4 GHz

EVM $\leq 3\%$ with 16 QAM OFDMA

@ $P_{OUT} = 25 \text{ dBm}$ [3.5V] and

@ $P_{OUT} = 27.5 \text{ dBm}$ [5V]

Input internally matched to 50Ω

Power supply: 3.2 V to 5.5 V

Quiescent current

130 mA in high power mode

70 mA in low power mode

PAE: $> 20\%$

Multiple operating modes to reduce battery drain

Low power mode: 100 mA (Operating)

Standby mode: 10 mA

Sleep mode: $< 1 \mu\text{A}$

APPLICATIONS

WiMAX/WiBro Mobile Terminals and CPEs

Good performance from 2.5GHz to 2.7GHz - See Page 7

GENERAL DESCRIPTION

The ADL5570 is a high linearity 2.3 GHz to 2.4 GHz power amplifier designed for WiMAX terminals and CPEs using TDD operation at a duty cycle of 50% or lower. With a gain of 29 dB and an output compression point of 31 dBm, it can operate at an output power level up to 26 dBm while maintaining an EVM of $\leq 3\%$ with a supply voltage of 3.5V. PAE is greater than 20% at $P_{OUT} = 25 \text{ dBm}$ with a 3.5V supply voltage.

The ADL5570 RF input is matched on chip and provides an input return loss of less than -10 dB . The open-collector output is externally matched with strip-line and external shunt capacitance.

FUNCTIONAL BLOCK DIAGRAM

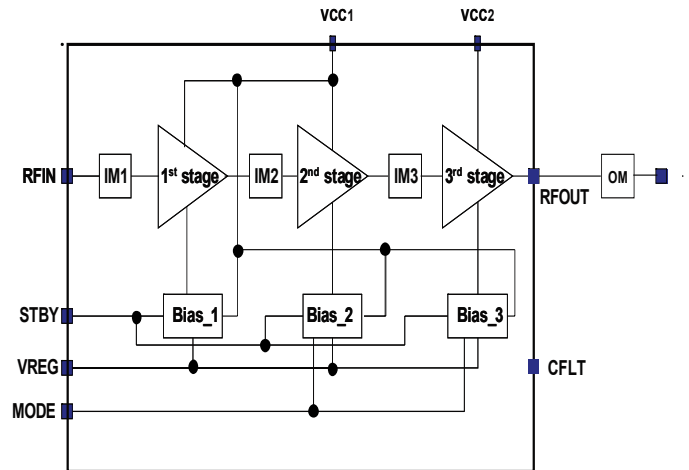


Figure 1. ADL5570 Block Diagram

The ADL5570 operates over a supply voltage range from 3.2 V to 5.5 V with a supply current of 400mA Burst RMS when delivering 25 dBm (3.5 V supply). A low power mode is also available for operation at power levels $\leq 10 \text{ dBm}$ with optimized operating and quiescent currents of 100 and 70 mA, respectively. A Standby mode is available which reduces the quiescent current to 10 mA; useful when a TDD terminal is receiving data.

The ADL5570 is fabricated in a GaAs HBT process and is packaged in a 4mm x 4mm 16-Lead Pb-free RoHS compliant LFCSP that uses an exposed paddle for excellent thermal impedance. It operates from -40°C to $+85^\circ\text{C}$.

Rev. PrG

Information furnished by Analog Devices is believed to be accurate and reliable. However, no responsibility is assumed by Analog Devices for its use, nor for any infringements of patents or other rights of third parties that may result from its use. Specifications subject to change without notice. No license is granted by implication or otherwise under any patent or patent rights of Analog Devices. Trademarks and registered trademarks are the property of their respective owners.

TABLE OF CONTENTS

Features	1	Pin Configuration and Function Descriptions.....	5
Applications.....	1	Typical Performance Characteristics	6
Functional Block Diagram	1	APPLICATIONS	7
General Description	1	2.5 GHz to 2.7 Ghz Peformance	7
Revision History	2	Evaluation Board	8
Target Specifications - VCC = 3.5 V	3	Outline Dimensions	10
Target Specifications - Vcc = 5 V	4		

REVISION HISTORY

3/07—Rev. PrF: Preliminary Version

TARGET SPECIFICATIONS - VCC = 3.5 V

T = 25°C, 1024 FFT, 16 QAM OFDMA modulated carrier, 10 MHz Channel BW, Z_L = 50 Ω, MODE = 0 V, STBY = 0 V, VREG = 2.85 V, 33% duty cycle, unless otherwise noted.

Table 1.

Parameter	Conditions	Min	Typ	Max	Unit
Frequency Range	See table 5 for tuning details	2.3		2.4	GHz
Linear Output Power	MODE = 0 V, EVM ≤ 3%		25		dBm
	MODE = 2.5 V, EVM ≤ 3%		10		dBm
Gain			29		dB
vs. Frequency	±5 MHz		±0.3		dB
vs. Temp	-40°C ≤ T _A ≤ +85°C		±0.5		dB
vs. Supply	3.2 V to 4.2 V		±1		dB
OP1dB	Unmodulated input		31		dBm
EVM	P _{OUT} = 25 dBm		3		% rms
Input Return Loss			10		dB
Spectral Mask @ 25dBm Output Power	±5 MHz carrier offset		35		dBc
	±6 MHz carrier offset		37		dBc
	±10.5 MHz carrier offset		41		dBc
	±20 MHz carrier offset		51		dBc
Harmonic Distortion			36		dBc
Power Supply Interface	VCC = 3.5 V				
Supply Current	P _{OUT} = 25 dBm, MODE= 0 V.		250		mA
	P _{OUT} = 12 dBm, MODE= 2.5 V.		100		mA
PAE	P _{OUT} = 25 dBm, MODE= 0 V		>20		%
Standby Mode	VREG = 2.85 V, STBY = 2.5 V		10		mA
Sleep Mode	VREG = 0 V		10		μA
Turn On/Off Time			1		μs
VSWR Survivability		10:1			

TARGET SPECIFICATIONS - VCC = 5 V

T = 25°C, 1024 FFT, 16 QAM OFDMA modulated carrier, 10 MHz Channel BW, $Z_L = 50 \Omega$, MODE = 0 V, STBY = 0 V, VREG = 2.85 V, 33% duty cycle, unless otherwise noted.

Table 2.

Parameter	Conditions	Min	Typ	Max	Unit
Frequency Range	See table 5 for tuning details	2.3		2.4	GHz
Linear Output Power	MODE = 0 V, EVM ≤ 3%		27.5		dBm
	MODE = 2.5 V, EVM ≤ 3%		10		dBm
Gain			28		dB
vs. Frequency	±5 MHz		±0.3		dB
vs. Temp	-40°C ≤ T _A ≤ +85°C		±0.5		dB
vs. Supply	4.5 V to 5.5 V		±1		dB
OP1dB	Unmodulated input		32		dBm
EVM	P _{OUT} = 27.5 dBm		3		% rms
Input Return Loss			10		dB
Spectral Mask @ 25dBm Output Power	±5MHz carrier offset		38		dBc
	±6 MHz carrier offset		39		dBc
	±10.5 MHz carrier offset		43		dBc
	±20 MHz carrier offset		49		dBc
Harmonic Distortion			36		dBc
Power Supply Interface	VCC = 5 V				
Supply Current	P _{OUT} = 27.5 dBm, MODE = 0 V		300		mA
	P _{OUT} = 13 dBm, MODE = 2.5 V		115		mA
PAE	P _{OUT} = 27.5 dBm, MODE = 0 V		16		%
Standby Mode	VREG = 2.85 V, STBY = 2.5 V		10		mA
Sleep Mode	VREG = 0 V		10		μA
Turn On/Off Time			1		μs
VSWR Survivability		10:1			

PIN CONFIGURATION AND FUNCTION DESCRIPTIONS

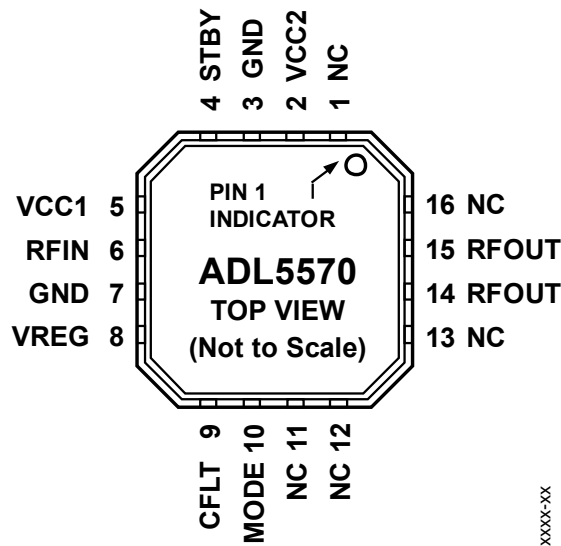


Figure 2. ADL5570 Pin Configuration

Table 3. Pin Function Descriptions

Pin No.	Mnemonic	Description
5	VCC1	Connect to Power Supply.
6	RFIN	Matched RF Input.
8	VREG	When VREG is low, the device goes into sleep mode, reducing supply current to 1 uA. When VREG is high (2.85 V), the device operates in its normal transmit mode. When high, VREG draws a bias current of approximately 10 mA.
9	CFLT	A Ground Referenced Capacitor. It should be connected to this node to reduce bias line noise (see figure 8).
10	MODE	Switches Between High Power and Low Power Modes. When MODE is low (0 V), the device operates in high power mode. When MODE is high (2.5 V), the device operates in low power mode.
14, 15	RFOUT	Unmatched RF Output. These parallel outputs can be matched to 50 Ω using strip-line and shunt capacitance. The power supply voltage should be connected to these pins through a choke inductor.
2	VCC2	This power supply pin should be connected to the supply via a choke circuit (see Figure 8).
4	STBY	When STBY is low (0 V), the device operates in transmit mode. When the radio is receiving data, STBY can be taken high (2.5 V), reducing supply current to 10 mA.
1, 11 to 13, 16	N/C	No Connect. Do not connect these pins.
7	GND	Connected to Ground.
	Exposed Paddle	The exposed paddle should be soldered down to a low impedance ground plane (use multiple vias (at least 9) to stitch together the ground planes) for optimum electrical and thermal performance.

Table 4. Operating Modes¹

Mnemonic	Normal Operation	Low Power Mode, POUT ≤ 10dBm	Standby Mode	Sleep Mode
VREG	High	High	High	Low
MODE	Low	High	X	X
STBY	Low	Low	High	X

¹ X = don't care.

TYPICAL PERFORMANCE CHARACTERISTICS

T = 25°C, 1024 FFT, 16 QAM OFDMA modulated carrier, 10 MHz Channel BW, $Z_L = 50 \Omega$, MODE = 0 V, STBY = 0 V, VREG = 2.85 V, 33% duty cycle, unless otherwise noted.

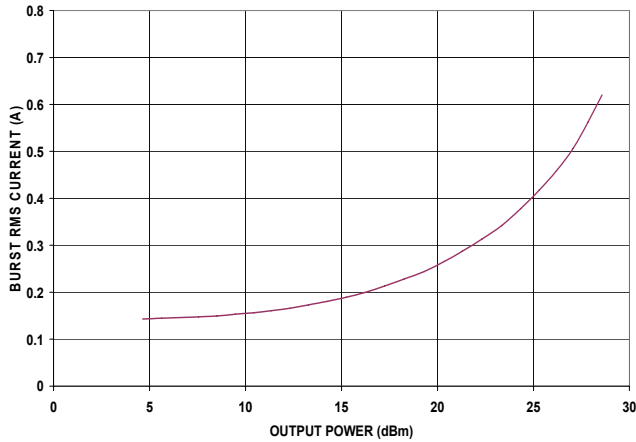


Figure 3. Burst RMS Current vs. P_{OUT} , at 2.35 GHz, $V_{CC}=3.5V$

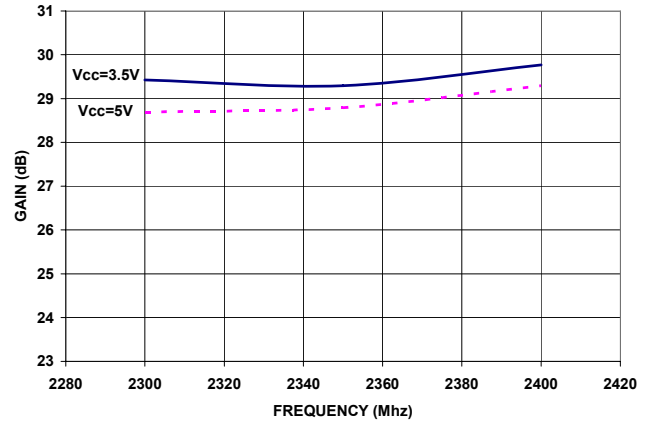


Figure 6. Gain vs. Frequency at $P_{IN} = -2 \text{ dBm}$

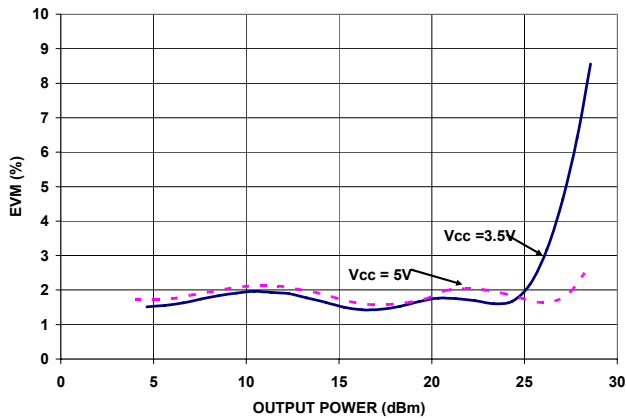


Figure 4. EVM vs. P_{OUT} at 2.35 GHz.

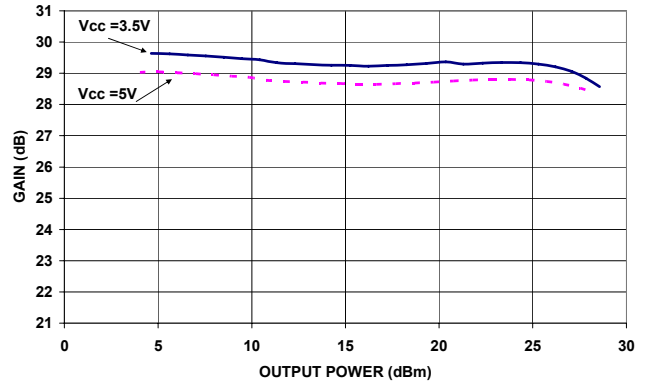


Figure 7. Gain vs. Output Power at 2.35 GHz

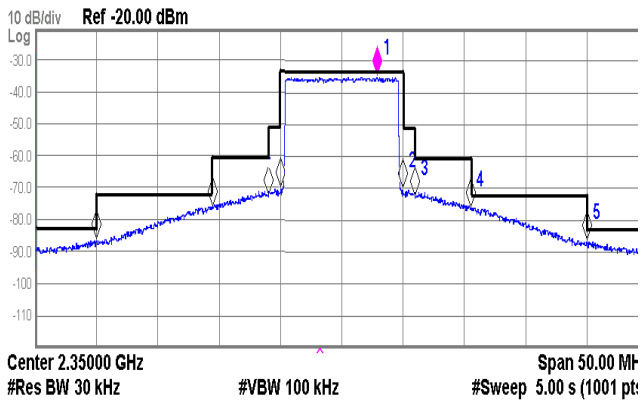


Figure 5. WiMax Spectrum with FCC Spectral Mask limits applied at 2.35GHz, $V_{CC}=3.5V$, $P_{out}=25\text{dBm}$.

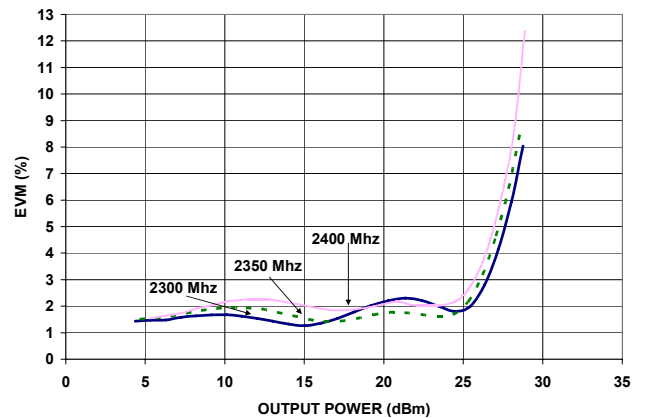


Figure 8. EVM vs. Output Power at $V_{CC}=3.5V$

APPLICATIONS

2.5 GHZ TO 2.7 GHZ PEFORMANCE

The ADL5570 is optimized for superior performance within the 2.3 GHz to 2.4 GHz frequency band. With a change in the external matching capacitor, C3, to 2.4pF, the ADL5570 shows good performance in the 2.5 GHz to 2.7 GHz frequency band. The EVM, Gain and RMS current performance data are shown in Figure 9 and Figure 10.

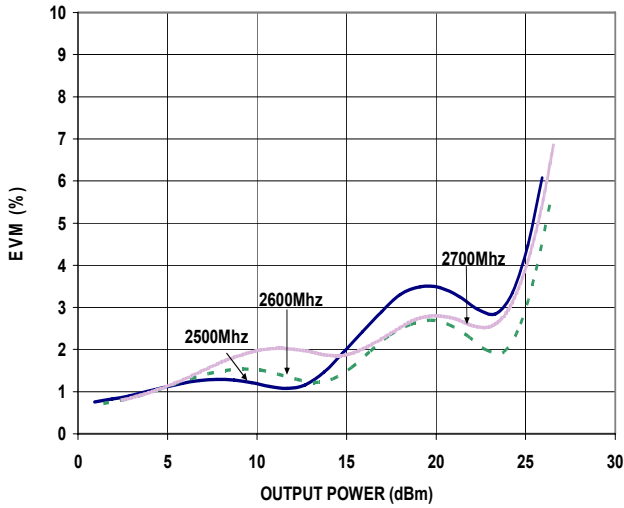


Figure 9. EVM vs Output power Performance at Vcc=3.5V and 16QAM OFDMA Signal

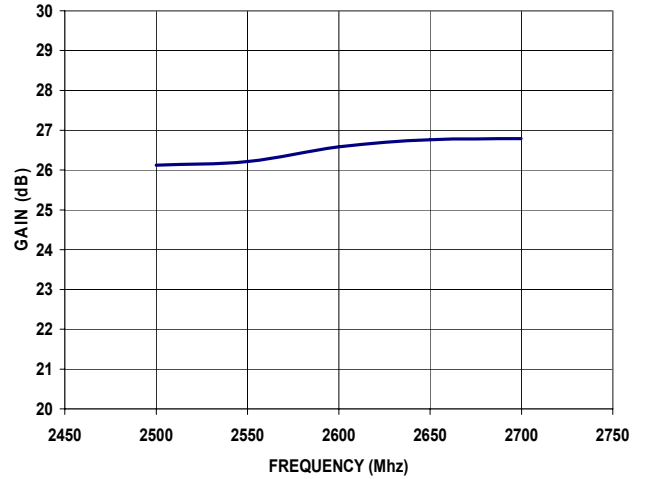


Figure 10. Gain vs Frequency Performance at Vcc=3.5V and 16QAM OFDMA Signal

EVALUATION BOARD

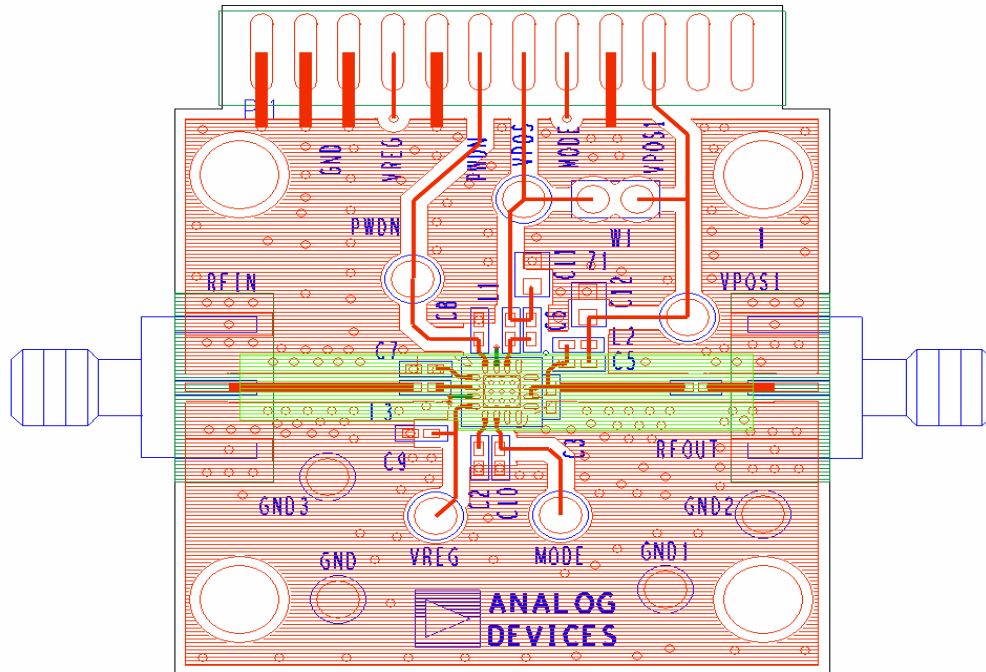
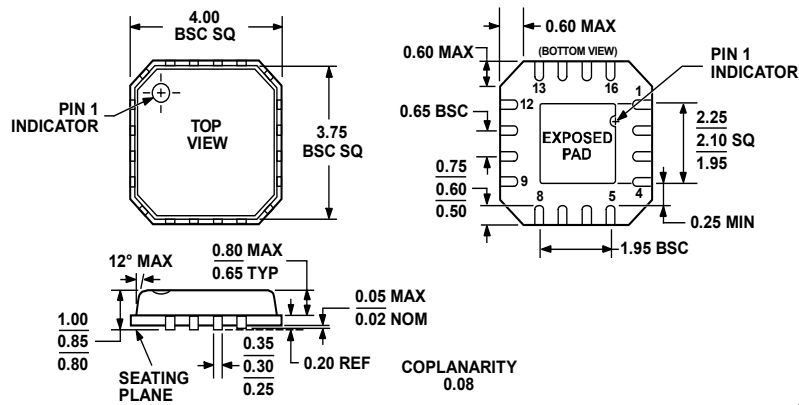


Figure 11. Evaluation Board Layout

The ADL5570 performance data were taken on a FR4 board layout. Care should be taken to ensure 50Ω impedance for all RF traces. For optimal performance in linearity, gain and efficiency, the output matching capacitor, C3, should be placed 30 mils from the edge of the package.

OUTLINE DIMENSIONS



021207-A

COMPLIANT TO JEDEC STANDARDS MO-220-VGGC

Figure 13. 16-Lead Lead Frame Chip Scale Package [LFCSP_VQ]
 4 mm x 4 mm Body, Very Thin Quad
 (CP-16-4)
 Dimensions shown in millimeters