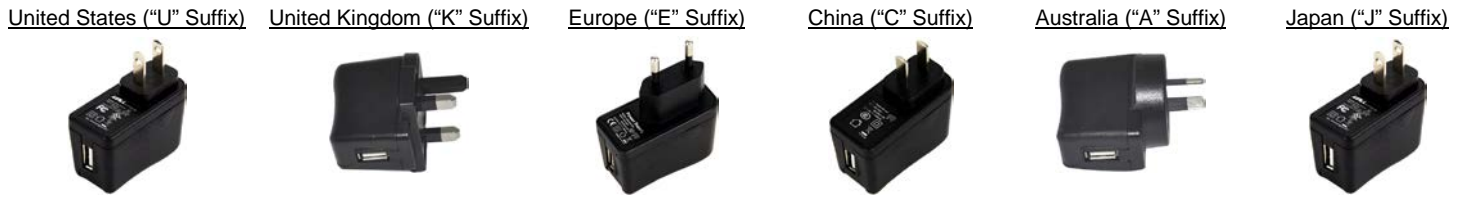


HORIZONTAL TYPE ("H" Suffix)



HORIZONTAL TYPE ("V" Suffix)



**FEATURES**

- Class II
- Single Outputs
- RoHS Compliant
- 100-240VAC Input Voltage Range
- Low Standby Power
- CEC / Energy Star Level VI (Except for 12V models) Compliant
- Vertical and Horizontal Types Available
- USB Type Output Connector
- Black (Standard) or White Case Colors Available
- Over Voltage, Over Current, & Short Circuit Protection
- UL/cUL, FCC, CE, GS, EUP, CB, BS1363, SAA, CCC, PSE, MEPS, & C-TICK Safety Approvals
- United States, United Kingdom, Europe, China, Australia, and Japan AC Plug Types Available

**DESCRIPTION**

The WMSAW6USB series of Class II AC/DC wall mount power supplies provides up to 6 Watts of output power. This series consists of single output models with an input voltage range of 100-240VAC and a USB type output connector. These supplies are protected against over voltage, over current, and short circuit conditions. The WMSAW6USB series is RoHS and CEC/Energy Star Level VI (Except for 12V models) compliant and has UL/cUL, FCC, CE, GS, EUP, CB, BS1363, SAA, CCC, PSE, MEPS, and C-TICK safety approvals. Vertical or horizontal package types are available for this series as well as United States, United Kingdom, Europe, China, Australia, and Japan AC plugs.

**MODEL SELECTION TABLE**

Model Number <sup>(1)</sup>	Input Voltage	Output Voltage	Output Current	Line Regulation	Load Regulation	Ripple & Noise <sup>(2)</sup>	Output Power	Package Type
WMSAW205USBV-xy	100~240 VAC	5 VDC	500mA	±1%	±5%	50mVp-p	2.5W	Vertical
WMSAW405USBV-xy		5 VDC	800mA	±1%	±5%	50mVp-p	4W	
WMSAW505USBV-xy		5 VDC	1000mA	±1%	±5%	50mVp-p	5W	
WMSAW605USBV-xy		5 VDC	1200mA	±1%	±5%	50mVp-p	6W	
WMSAW306USBV-xy		6 VDC	500mA	±1%	±5%	50mVp-p	3W	
WMSAW406USBV-xy		6 VDC	800mA	±1%	±5%	50mVp-p	4.8W	
WMSAW606USBV-xy		6 VDC	1000mA	±1%	±5%	50mVp-p	6W	
WMSAW675USBV-xy		7.5 VDC	800mA	±1%	±5%	50mVp-p	6W	
WMSAW409USBV-xy		9 VDC	500mA	±1%	±5%	50mVp-p	4.5W	
WMSAW509USBV-xy		9 VDC	600mA	±1%	±5%	50mVp-p	5.4W	
WMSAW612USBV-xy		12 VDC	500mA	±1%	±5%	50mVp-p	6W	
WMSAW205USBH-xy		100~240 VAC	5 VDC	500mA	±1%	±5%	50mVp-p	
WMSAW405USBH-xy	5 VDC		800mA	±1%	±5%	50mVp-p	4W	
WMSAW505USBH-xy	5 VDC		1000mA	±1%	±5%	50mVp-p	5W	
WMSAW605USBH-xy	5 VDC		1200mA	±1%	±5%	50mVp-p	6W	
WMSAW306USBH-xy	6 VDC		500mA	±1%	±5%	50mVp-p	3W	
WMSAW406USBH-xy	6 VDC		800mA	±1%	±5%	50mVp-p	4.8W	
WMSAW606USBH-xy	6 VDC		1000mA	±1%	±5%	50mVp-p	6W	
WMSAW675USBH-xy	7.5 VDC		800mA	±1%	±5%	50mVp-p	6W	
WMSAW409USBH-xy	9 VDC		500mA	±1%	±5%	50mVp-p	4.5W	
WMSAW509USBH-xy	9 VDC		600mA	±1%	±5%	50mVp-p	5.4W	
WMSAW612USBH-xy	12 VDC		500mA	±1%	±5%	50mVp-p	6W	

**SPECIFICATIONS: WMSAW6USB SERIES**

All specifications are based on 25°C, Nominal Input Voltage, and Maximum Output Current unless otherwise noted.  
We reserve the right to change specifications based on technological advances.

SPECIFICATION	TEST CONDITIONS	Min	Typ	Max	Unit
<b>INPUT SPECIFICATIONS</b>					
Input Voltage	Rated input voltage range	100	115/230	240	VAC
Input Frequency		47	50/60	63	Hz
Input Current	90VAC/60Hz and full load			300	mA
Inrush Current	100VAC and full load			30	A
	240VAC and full load			75	
Stand-by Power	230VAC/50Hz and no load			0.3	W
<b>OUTPUT SPECIFICATIONS</b>					
Output Voltage		See Table			
Voltage Tolerance		-5		+5	%
Line Regulation		-1		+1	%
Load Regulation		-5		+5	%
Output Power		See Table			
Output Current		See Table			
Minimum Load		0			mA
Ripple & Noise			50		mVp-p
Hold-Up Time	100VAC/60Hz and full load	10			ms
Turn-on Time	100VAC/60Hz and full load			3	s
<b>PROTECTION</b>					
Over Voltage Protection		Output voltage clamped by Zener diode			
Over Current Protection		Output shut-down; Automatic recovery			
Short Circuit Protection		Output shut-down; Automatic recovery			
<b>GENERAL SPECIFICATIONS</b>					
Efficiency		CEC-V / ERP / MEPS			
Switching Frequency			65		KHz
Dielectric Withstand Voltage	10mA / 60 sec	3000			VAC
Insulation (input to output)	500VDC	10			MΩ
<b>ENVIRONMENTAL SPECIFICATIONS</b>					
Operating Temperature		0		40	°C
Storage Temperature		-20		60	°C
Operating Humidity		5		95	% RH
Cooling		Free air convection			
MTBF	@ 25°C (MIL-HDBK-217F)	50,000			hours
<b>PHYSICAL SPECIFICATIONS</b>					
Dimensions (L x W x H)		See drawings			
Weight	Horizontal type	1.52oz (43g)			
	Vertical type	1.59oz (45g)			
Output Connector		USB Type			
AC Plug Types	"U" suffix	See "Model Number Setup" Table on page 5	United States		
	"K" suffix		United Kingdom		
	"E" suffix		Europe		
	"A" suffix		Australia		
	"C" suffix		China		
	"J" suffix		Japan		
Package Type	"V" suffix	See "Model Number Setup" Table on page 5	Vertical		
	"H" suffix		Horizontal		
<b>SAFETY &amp; COMPLIANCE</b>					
Safety Approvals		UL/cUL, FCC, CE, GS, EUP, CB, BS1363, SAA, CCC, PSE, MEPS, and C-TICK			
Compliance		RoHS and CEC/Energy Star Level VI compliant			

**NOTES**

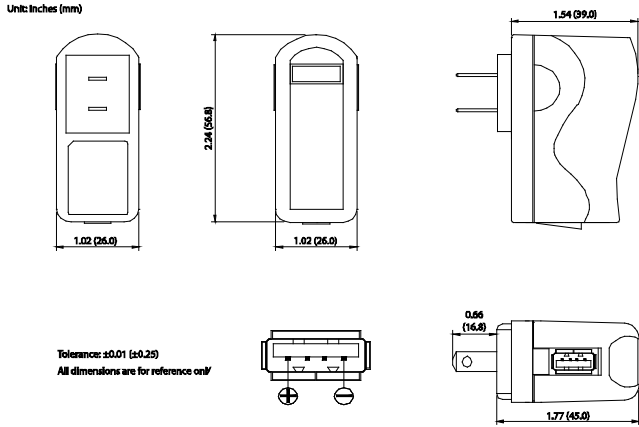
1. The "x" in the model number represents the type of plug: it can be "U" for United States type, "K" for United Kingdom type, "E" for Europe type, "A" for Australia type, "C" for China type, and "J" for Japan type. The "y" in the model represents the color of the case: it can be "W" for a white case or leave blank for a black case.

2. Ripple and noise is measured at 20MHz limited bandwidth with 0.1µF ceramic and 10µF electrolytic capacitors across the output.

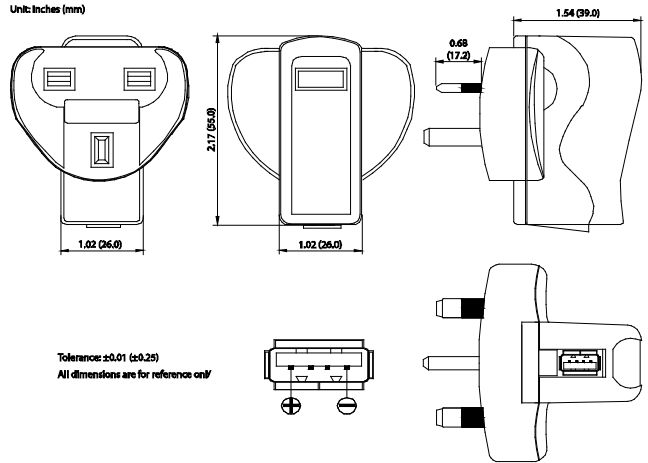
MECHANICAL DRAWINGS

HORIZONTAL TYPE ("H" SUFFIX)

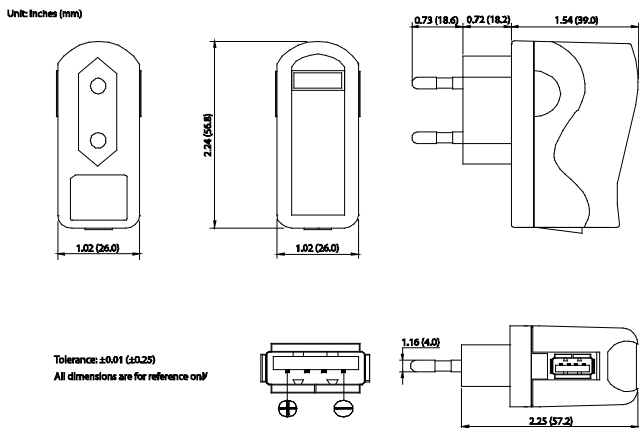
United States ("U" Suffix)



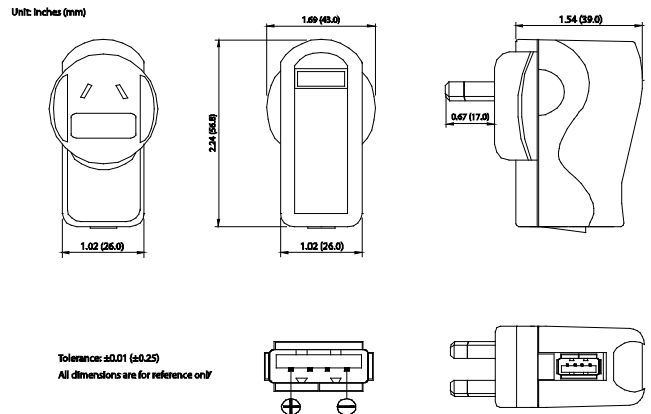
United Kingdom ("K" Suffix)



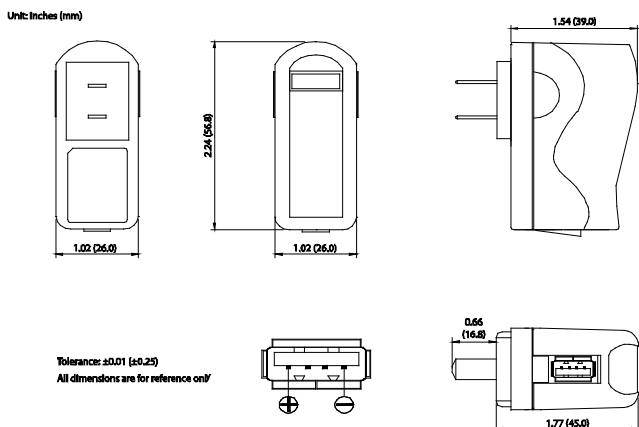
Europe ("E" Suffix)



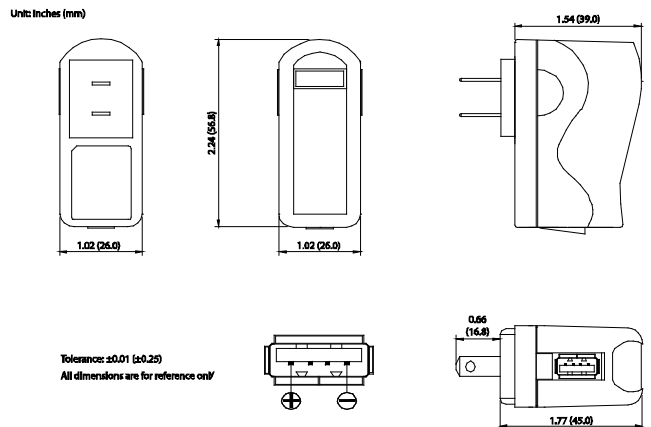
Australia ("A" TYPE)



China ("C" Suffix)



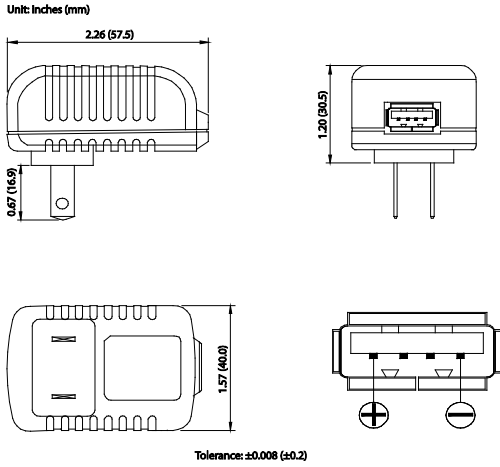
Japan ("J" Suffix)



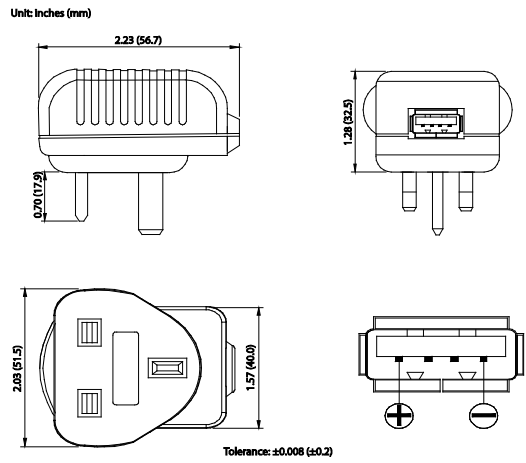
MECHANICAL DRAWINGS

VERTICAL TYPE ("V" SUFFIX)

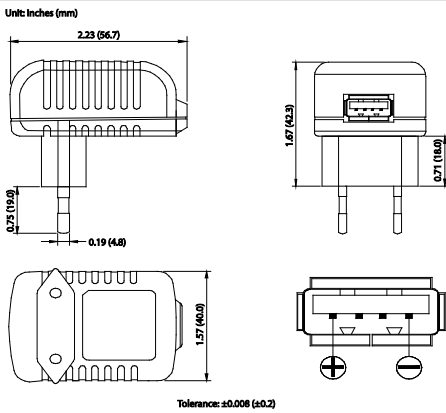
United States ("U" Suffix)



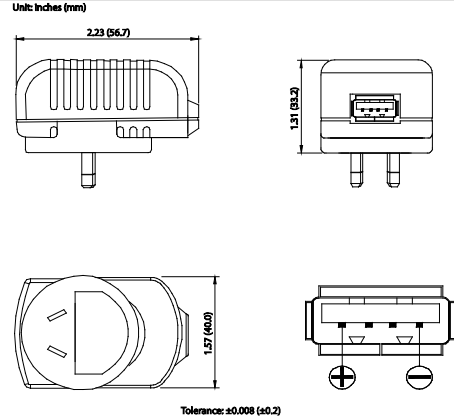
United Kingdom ("K" Suffix)



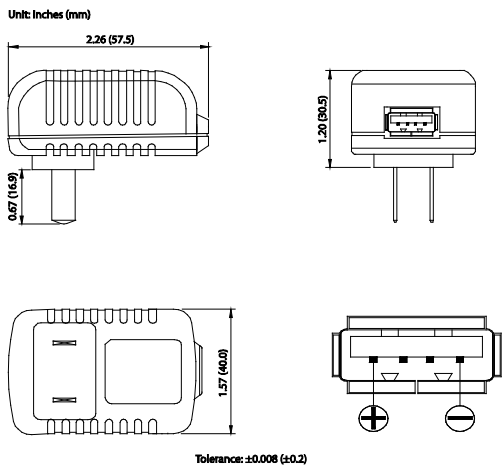
Europe ("E" Suffix)



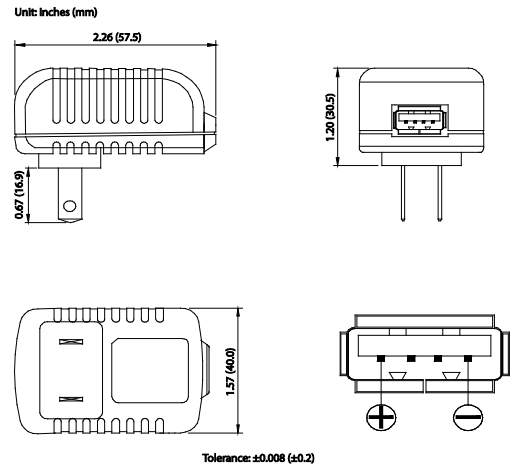
Australia ("A" TYPE)



China ("C" Suffix)



Japan ("J" Suffix)



MODEL NUMBER SETUP

WMSAW	6	12	USB	V	-	U	W
Series Name	Output Power	Output Voltage	Output Connector	Package Type		AC Plug Type	Case Color
	<b>2:</b> 2.5 Watts	<b>05:</b> 5 VDC	<b>USB:</b> USB Type	<b>V:</b> Vertical		<b>U:</b> United States	<b>None:</b> Black
	<b>3:</b> 3 Watts	<b>06:</b> 6 VDC		<b>H:</b> Horizontal		<b>K:</b> United Kingdom	<b>W:</b> White
	4 Watts	<b>75:</b> 7.5 VDC				<b>E:</b> Europe	
	<b>4:</b> 4.5 watts 4.8 Watts	<b>09:</b> 9 VDC				<b>A:</b> Australia	
	<b>5:</b> 5 Watts 5.4 Watts	<b>12:</b> 12 VDC				<b>C:</b> China	
	<b>6:</b> 6 Watts					<b>J:</b> Japan	

COMPANY INFORMATION

Wall Industries, Inc. has created custom and modified units for over 50 years. Our in-house research and development engineers will provide a solution that exceeds your performance requirements on-time and on budget. Our ISO9001-2008 certification is just one example of our commitment to producing a high quality, well-documented product for our customers.

Our past projects demonstrate our commitment to you, our customer. Wall Industries, Inc. has a reputation for working closely with its customers to ensure each solution meets or exceeds form, fit and function requirements. We will continue to provide ongoing support for your project above and beyond the design and production phases. Give us a call today to discuss your future projects.

Contact **Wall Industries** for further information:

Phone: ☎ (603)778-2300  
 Toll Free: ☎ (888)597-9255  
 Fax: ☎ (603)778-9797  
 E-mail: [sales@wallindustries.com](mailto:sales@wallindustries.com)  
 Web: [www.wallindustries.com](http://www.wallindustries.com)  
 Address: 5 Watson Brook Rd.  
 Exeter, NH 03833