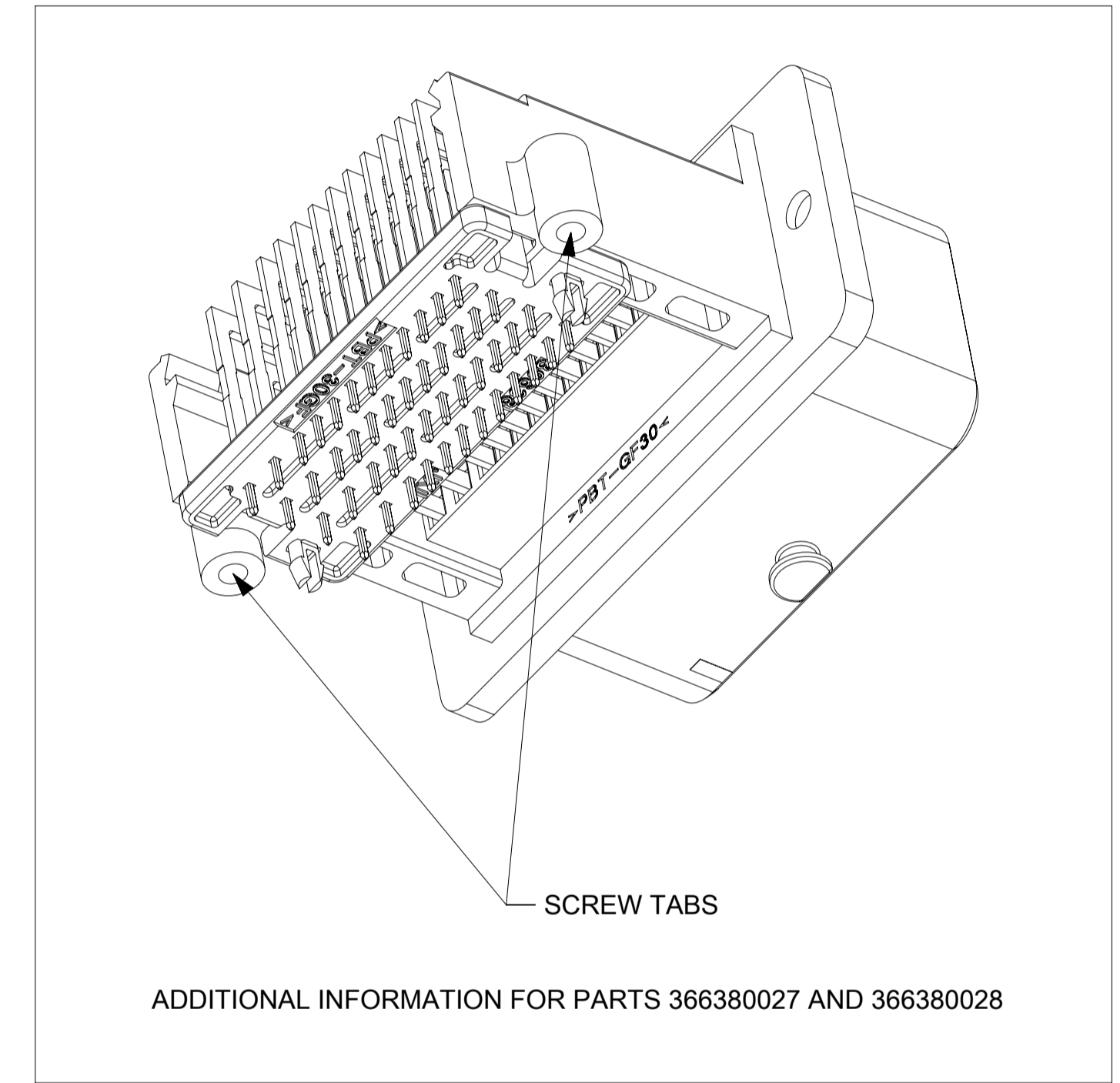


BILL OF MATERIAL

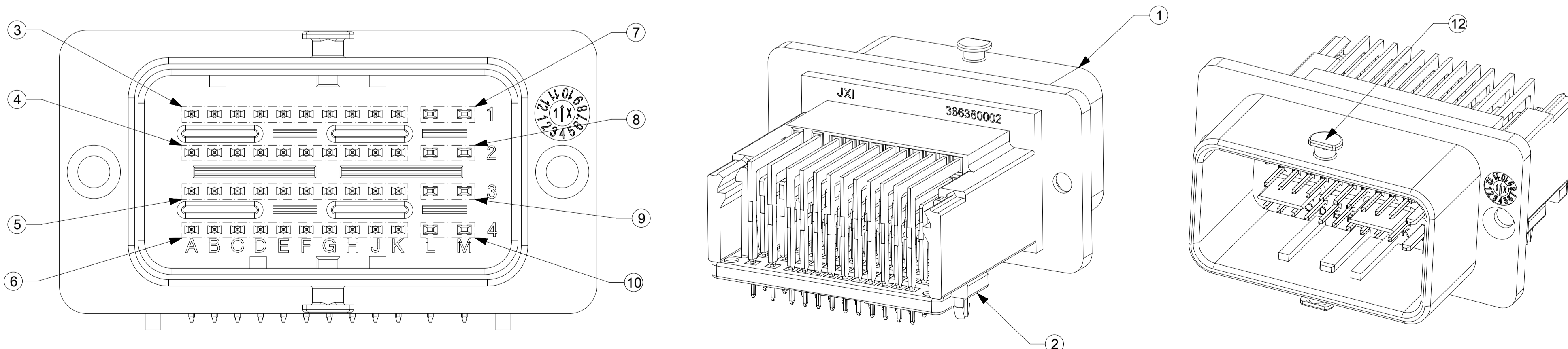
ITEM	PART DESCRIPTION	MATERIAL	PLATING	KEY	QUANTITY															
					1	2	3	4	5	6	7	8	9	10	11	12	13	14	15	16
1	CMC HSG 48W 48CKT COUNTERSUNK HOLE BLK	PBT GF 30	N/A	BLACK	1	-	-	-	-	-	-	-	-	-	-	-	-			
	CMC HSG 48W 48CKT COUNTERSUNK HOLE BLK	PBT GF 30	N/A	BLACK	-	1	-	-	-	-	-	-	-	-	-	-	-			
	CMC HSG 48W 36CKT COUNTERSUNK HOLE BLK	PBT GF 30	N/A	BLACK	-	-	1	-	1	-	-	-	-	-	-	-	-			
	CMC HSG 48W 36CKT COUNTERSUNK HOLE BLK	PBT GF 30	N/A	BLACK	-	-	-	1	-	1	-	-	-	-	-	-	-			
	CMC HSG 48W 48CKT THROUGH HOLE BLK	PBT GF 30	N/A	BLACK	-	-	-	-	-	-	1	-	-	-	-	-	-			
	CMC HSG 48W 48CKT THROUGH HOLE BLK	PBT GF 30	N/A	BLACK	-	-	-	-	-	-	-	1	-	-	-	-	-			
	CMC HSG 48W 48CKT C/S HOLE SCREW TAB BLK	PBT GF 30	N/A	BLACK	-	-	-	-	-	-	-	-	1	-	-	-	-			
	CMC HSG 48W 48CKT COUNTERSUNK HOLE BRN	PBT GF 30	N/A	BROWN	-	-	-	-	-	-	-	-	-	1	-	-	-			
	CMC HSG 48W 48CKT COUNTERSUNK HOLE BRN	PBT GF 30	N/A	BROWN	-	-	-	-	-	-	-	-	-	-	1	-	-			
	CMC HSG 48W 36CKT COUNTERSUNK HOLE BRN	PBT GF 30	N/A	BROWN	-	-	-	-	-	-	-	-	-	-	-	1	-			
	CMC HSG 48W 36CKT COUNTERSUNK HOLE BRN	PBT GF 30	N/A	BROWN	-	-	-	-	-	-	-	-	-	-	-	-	1			
	CMC HSG 48W 48CKT THROUGH HOLE BRN	PBT GF 30	N/A	BROWN	-	-	-	-	-	-	-	-	-	-	-	-	1			
CMC HSG 48W 48CKT THROUGH HOLE BRN	PBT GF 30	N/A	BROWN	-	-	-	-	-	-	-	-	-	-	-	-	1				
CMC HSG 48W 48CKT C/S HOLE SCREW TAB BRN	PBT GF 30	N/A	BROWN	-	-	-	-	-	-	-	-	-	-	-	-	1				
2	48W CMC GRID PLATE WITH PCB LOCK	PBT GF 30	N/A	BLACK	1	-	1	-	1	-	1	-	1	-	1	-	1			
	48W CMC GRID PLATE W/O PCB LOCK	PBT GF 30	N/A	BLACK	-	1	-	1	-	1	-	1	-	1	-	1	-			
3	CMC HDR PIN 0.64X0.64 ROW 1 TIN PLATED	C26000 3/4 H	TIN	N/A	10	10	-	-	-	-	10	10	10	10	-	-	10	10	10	
4	CMC HDR PIN 0.64X0.64 ROW 2 TIN PLATED	C26000 3/4 H	TIN	N/A	10	10	10	10	-	-	10	10	10	10	10	10	10	10	10	
5	CMC HDR PIN 0.64X0.64 ROW 3 TIN PLATED	C26000 3/4 H	TIN	N/A	10	10	10	10	-	-	10	10	10	10	10	10	10	10	10	
6	CMC HDR PIN 0.64X0.64 ROW 4 TIN PLATED	C26000 3/4 H	TIN	N/A	10	10	10	10	-	-	10	10	10	10	10	10	10	10	10	
3	CMC HDR PIN 0.64X0.64 ROW 1 GOLD PLATED	C26000 3/4 H	GOLD	N/A	-	-	-	-	-	-	-	-	-	-	-	-	-	-	-	
4	CMC HDR PIN 0.64X0.64 ROW 2 GOLD PLATED	C26000 3/4 H	GOLD	N/A	-	-	-	-	-	-	-	-	-	-	-	-	-	-	-	
5	CMC HDR PIN 0.64X0.64 ROW 3 GOLD PLATED	C26000 3/4 H	GOLD	N/A	-	-	-	-	-	-	-	-	-	-	-	-	-	-	-	
6	CMC HDR PIN 0.64X0.64 ROW 4 GOLD PLATED	C26000 3/4 H	GOLD	N/A	-	-	-	-	-	-	-	-	-	-	-	-	-	-	-	
7	CMC HDR PIN 1.5X0.8 ROW 1 TIN PLATED	C26000 3/4 H	TIN	N/A	2	2	-	-	-	-	2	2	2	2	2	-	-	2	2	2
8	CMC HDR PIN 1.5X0.8 ROW 2 TIN PLATED	C26000 3/4 H	TIN	N/A	2	2	2	2	2	2	2	2	2	2	2	2	2	2	2	2
9	CMC HDR PIN 1.5X0.8 ROW 3 TIN PLATED	C26000 3/4 H	TIN	N/A	2	2	2	2	2	2	2	2	2	2	2	2	2	2	2	2
10	CMC HDR PIN 1.5X0.8 ROW 4 TIN PLATED	C26000 3/4 H	TIN	N/A	2	2	2	2	2	2	2	2	2	2	2	2	2	2	2	2
11	PAD PRINT WHITE		N/A	N/A	1	1	1	1	1	1	1	1	1	1	1	1	1	1	1	1
12	PAD PRINT BROWN		N/A	BROWN	-	-	-	-	-	-	-	-	-	-	1	1	1	1	1	1

- NOTES:
- AREA FOR JXI AND MOLEX PART NUMBER REPRESENTATION
 - AREA FOR PLASTIC MATERIAL >PBT-30%GF< DESCRIPTION
 - PART WITH WHITE COLOR (RoHS COMPLIANT) AT SPECIFIED TWO AREAS TO LOCATE POWER TERMINALS
 - PAINT WITH BROWN COLOR (RoHS COMPLIANT) AT SPECIFIED AREA ON BOTH SIDES FOR P/N: 366380003, -0005, -0007, -0009, -0021 & -0023
 - PART TO MEET SOLDERABILITY SPEC SMES-152
 - PACKAGING SPECIFICATION: PK-36638-001
 - PCB SOLDER HOLE SIZE IS DIA 1.1(+0.10/-0.05) FOR THE TERMINALS
 - MANUAL/WAVE SOLDER COMPATIBLE
 - FOR OTHER DIMENSIONS REFER REMAINING VIEWS IN THE DRAWING
 - THESE DIMENSIONS ARE ONLY FOR PART NUMBERS 366380020, -0021, -0022 & -0023
 - 366380020, -0021, -0022 & -0023 WILL COMPLY TO VIEW "M" OUT OF WHICH 366380020 & -0022 ARE TOOLED AND 366380021& -0023 ARE NOT TOOLED
 - 366380013 AND -0019 MATE WITH PART NUMBERS 643202311/643204311
 - GOLD PLATED AT CONTACT AREA (6.7+/-0.5mm) FOR P/N 366380013 & -0019
 - SEALING SOLUTION AT THE FLANGE (IF NEEDED), IS THE RESPONSIBILITY OF THE END CUSTOMER
 - WARPAGE ON FLANGE : 0.3 MAX
 - INTERFACE DEFINITION: REFER TO DRAWING SD-98644-006

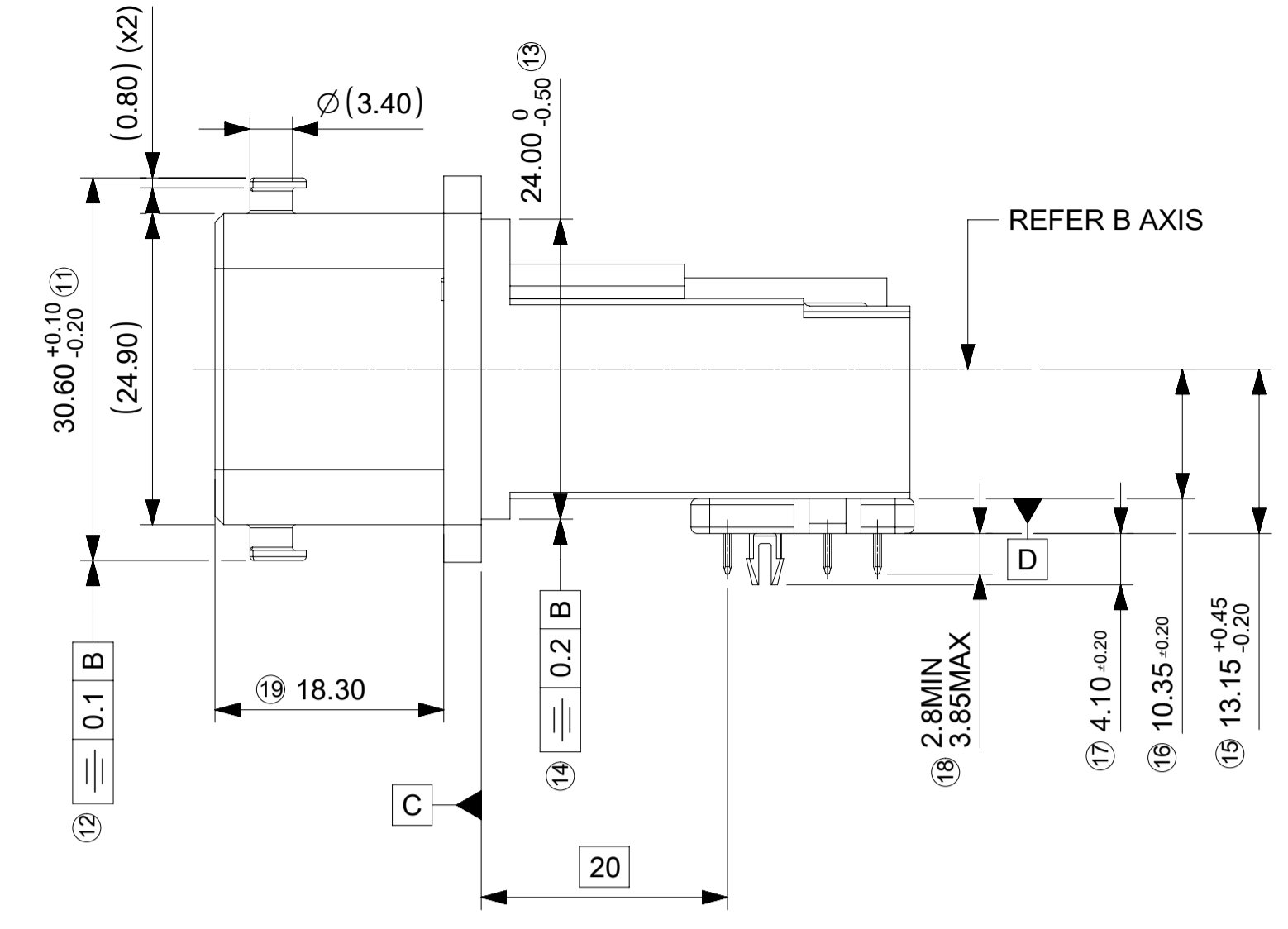
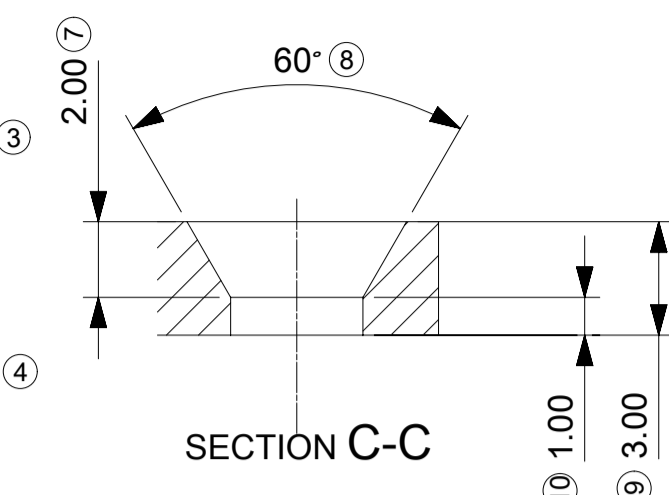
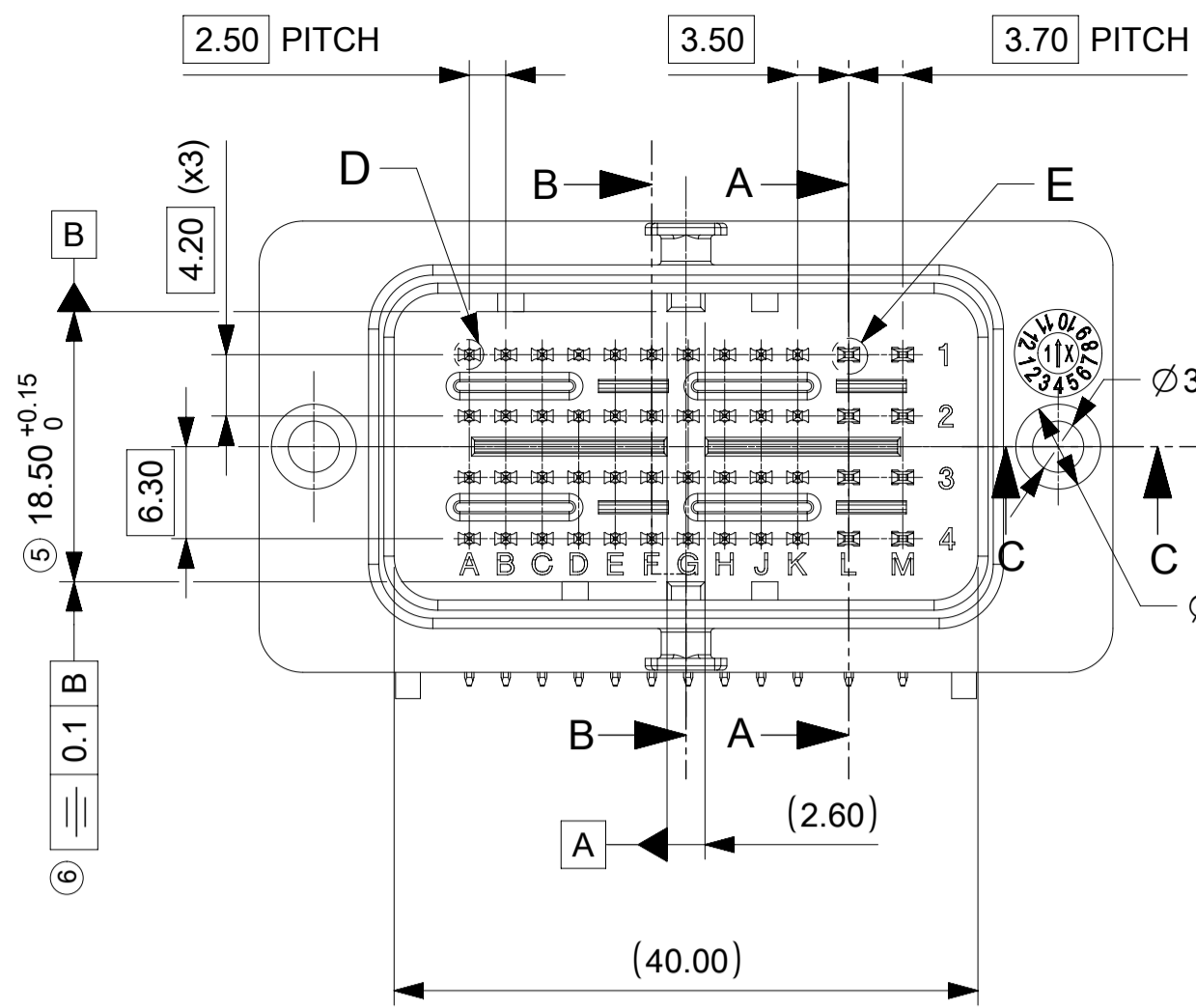
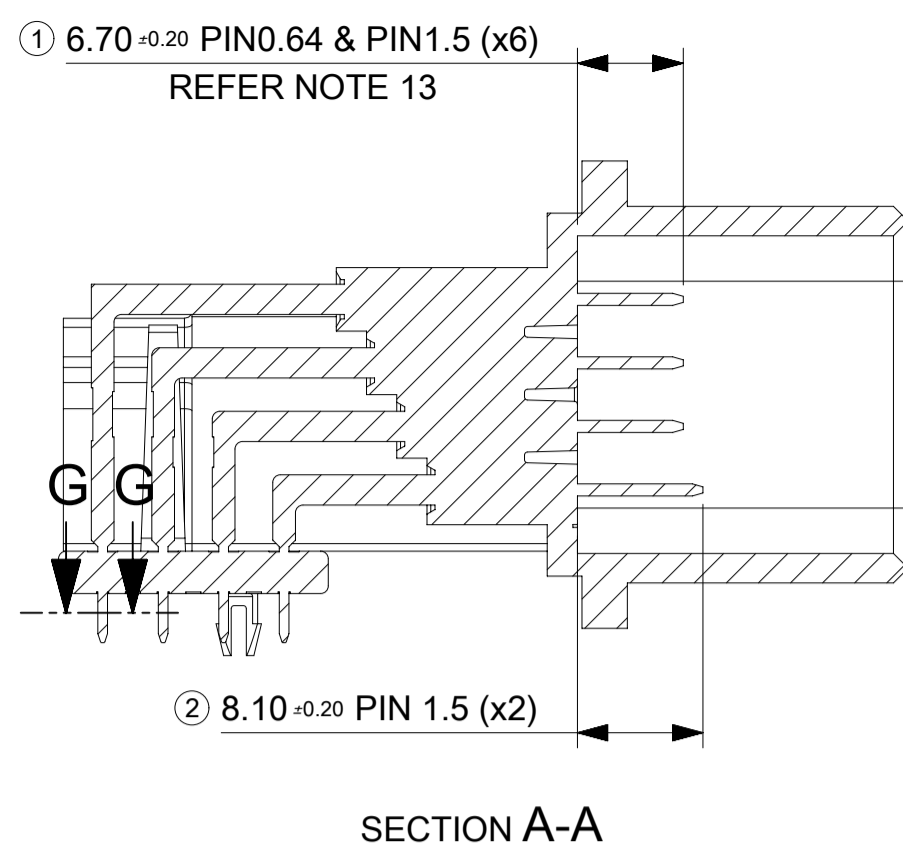


MOLEX ASSEMBLY PART NO	CUSTOMER	PART DESCRIPTION	48 CKT POCKET	48 CKT POCKET	36 CKT POCKET	36 CKT POCKET
366380004	GENERAL MARKET	ASSY CMC 48W 48CKT BLK W/O PCB LOCK	BLACK KEY			
366380006	GENERAL MARKET	ASSY CMC 48W 36CKT BLK WITH PCB LOCK			BLACK KEY	
366380008	GENERAL MARKET	ASSY CMC 48W 36CKT BLK W/O PCB LOCK			BLACK KEY	
366380013 O	GENERAL MARKET	ASSY CMC 48W 36CKT BLK WITH PCB LOCK			BLACK KEY	
366380019 O	GENERAL MARKET	ASSY CMC 48W 36CKT BLK W/O PCB LOCK			BLACK KEY	
366380020	GENERAL MARKET	ASSY CMC 48W 48CKT BLK WITH PCB LOCK	BLACK KEY			
366380022	GENERAL MARKET	ASSY CMC 48W 48CKT BLK W/O PCB LOCK	BLACK KEY			
366380027	GENERAL MARKET	ASSY CMC 48W 48CKT BLK WITH PCB LOCK WITH SCREW TAB	BLACK KEY			
366380003	GENERAL MARKET	ASSY CMC 48W 48CKT BRN WITH PCB LOCK		BROWN KEY		
366380005	GENERAL MARKET	ASSY CMC 48W 48CKT BRN W/O PCB LOCK		BROWN KEY		
366380007	GENERAL MARKET	ASSY CMC 48W 36CKT BRN WITH PCB LOCK			BROWN KEY	
366380009	GENERAL MARKET	ASSY CMC 48W 36CKT BRN W/O PCB LOCK			BROWN KEY	
366380021	GENERAL MARKET	ASSY CMC 48W 48CKT BRN WITH PCB LOCK		BROWN KEY		
366380023	GENERAL MARKET	ASSY CMC 48W 48CKT BRN W/O PCB LOCK		BROWN KEY		
366380028	GENERAL MARKET	ASSY CMC 48W 48CKT BRN WITH PCB LOCK WITH SCREW TAB		BROWN KEY		

O= OBSOLETE

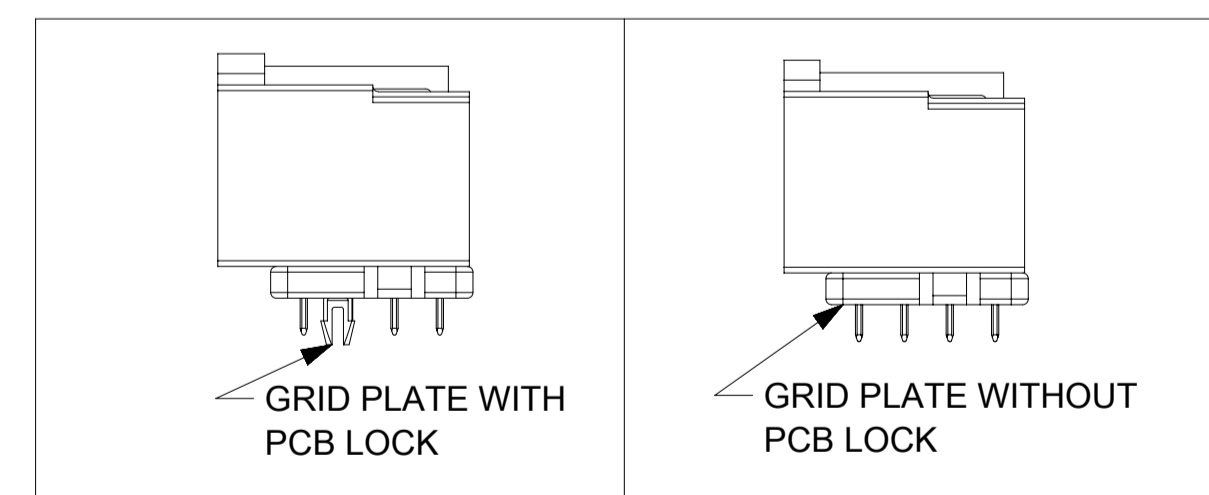
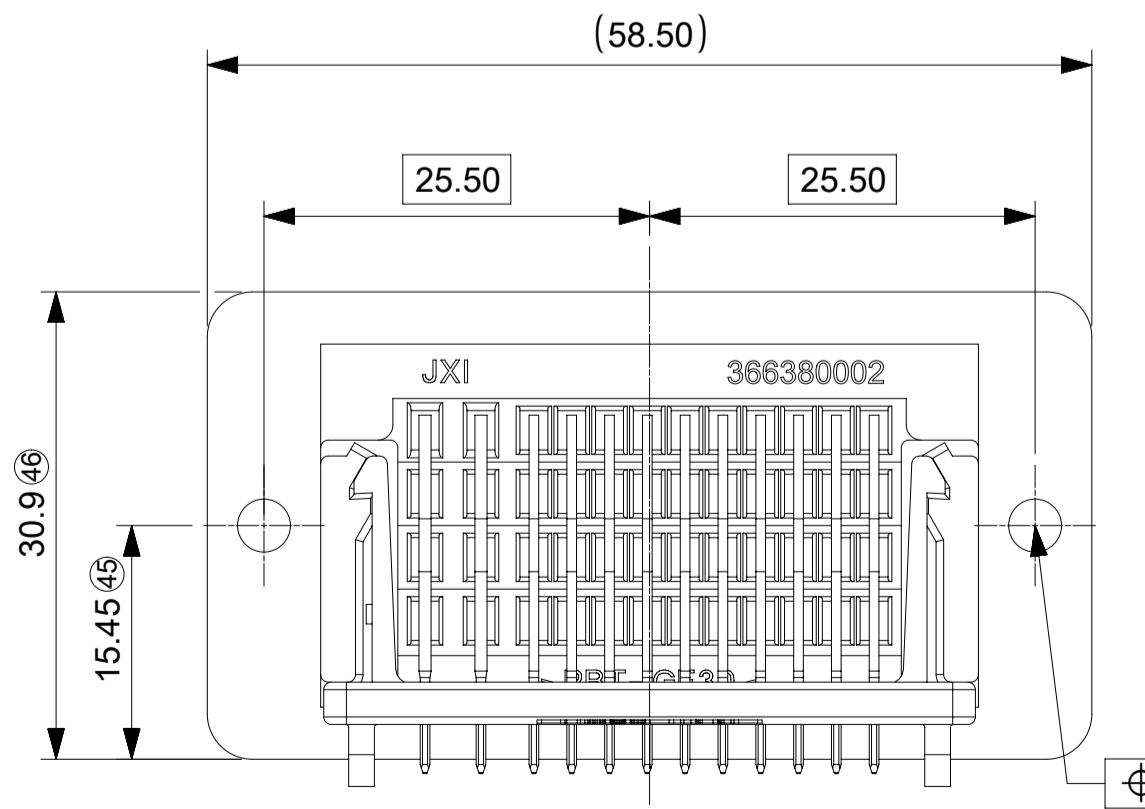
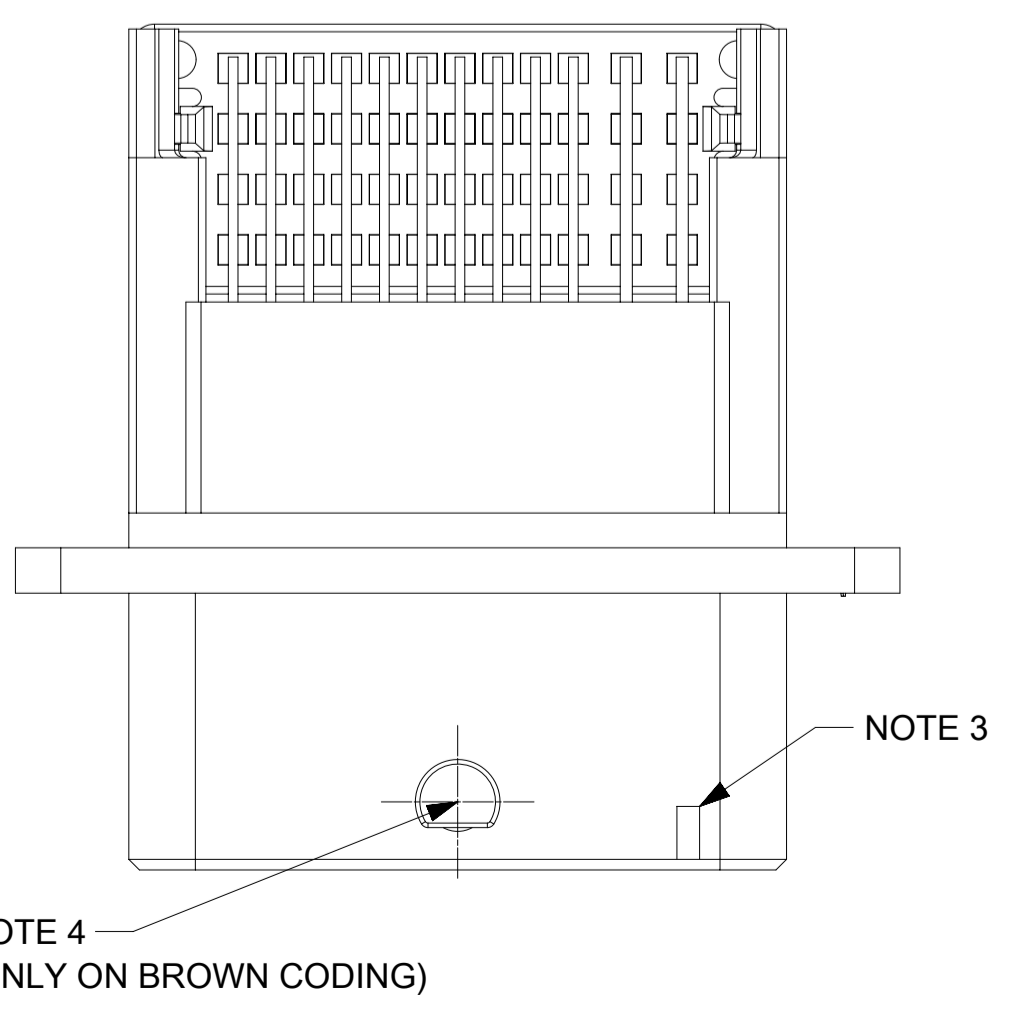
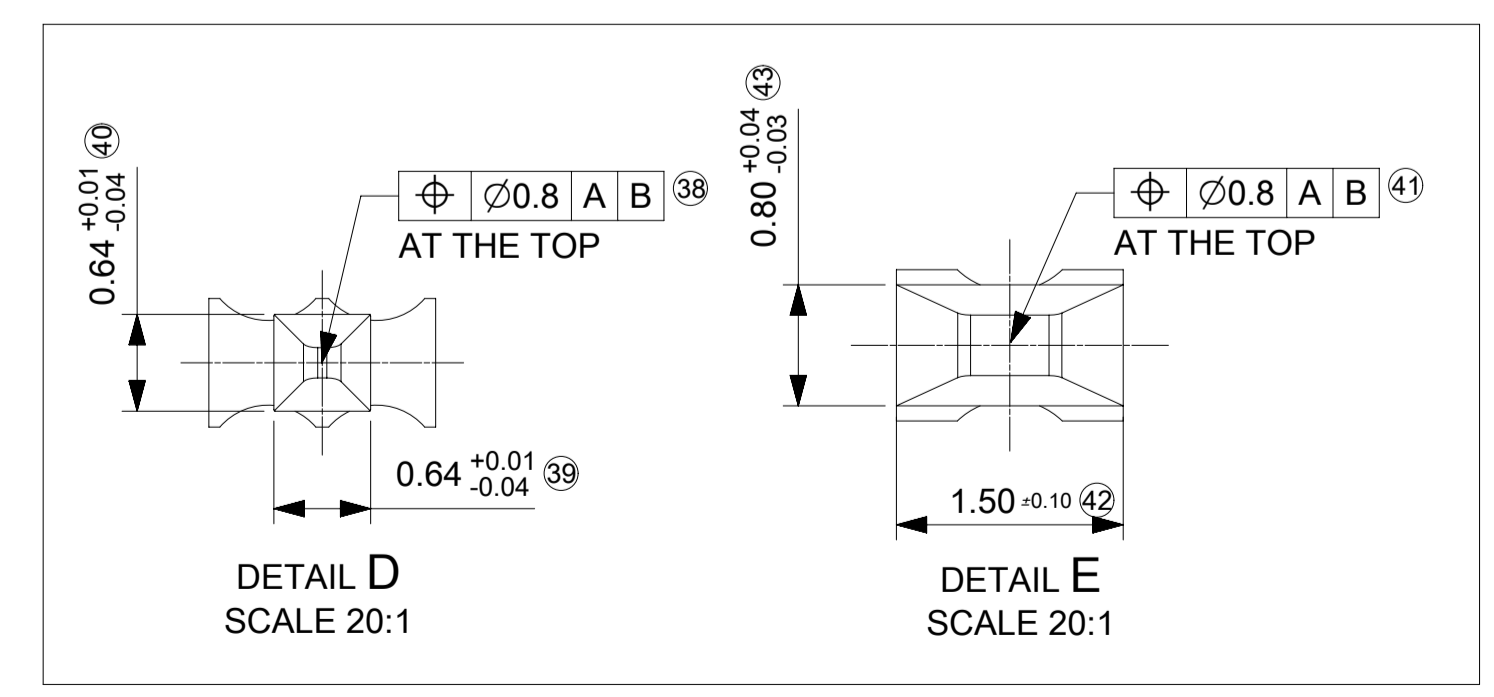
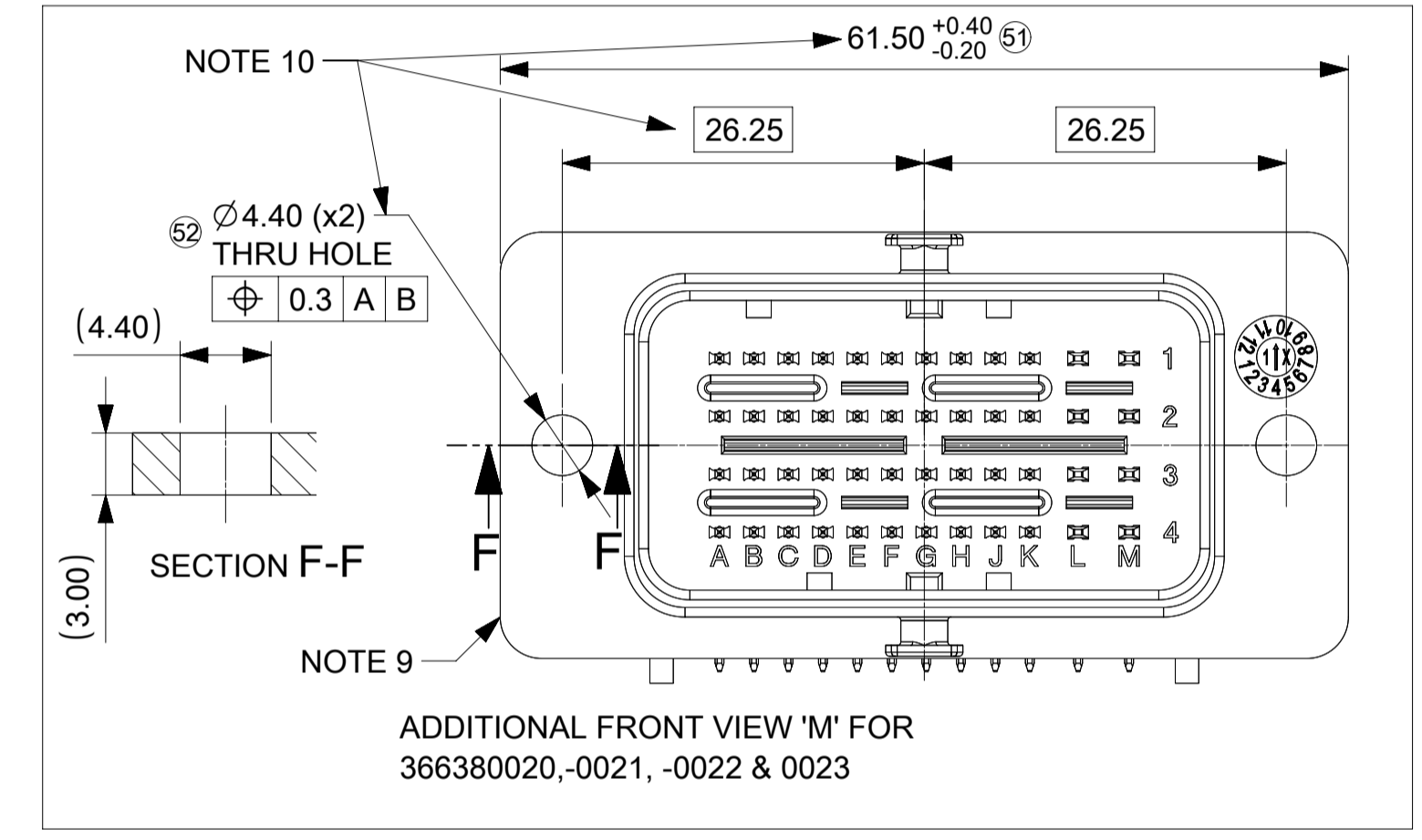
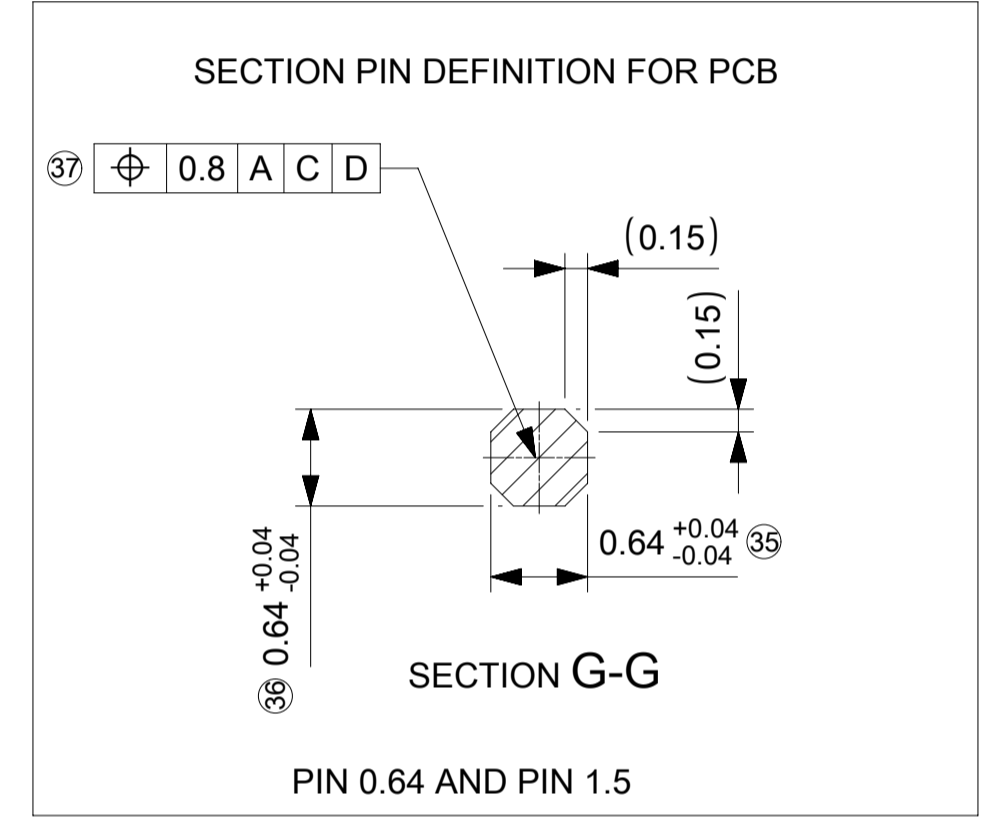
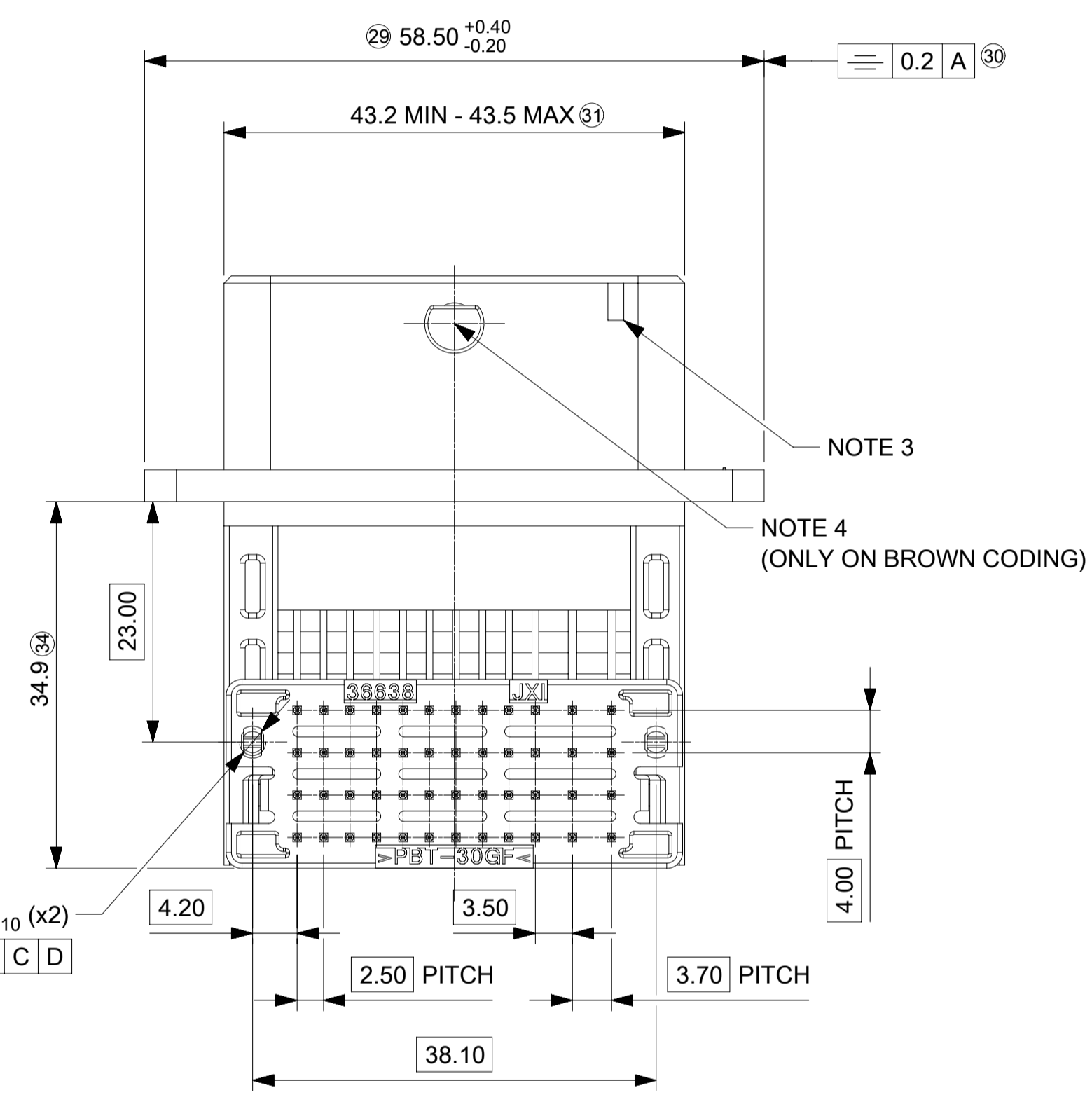
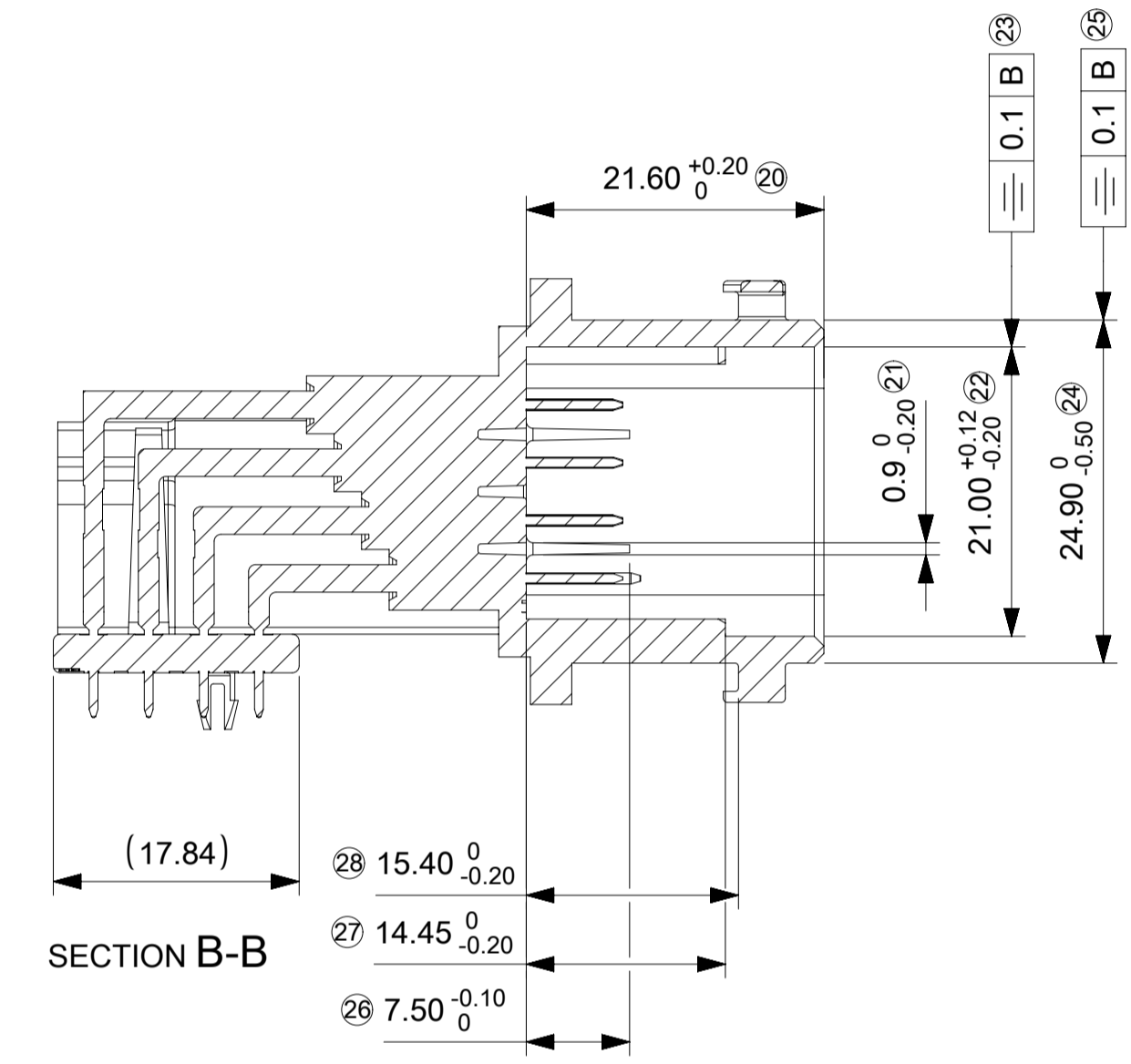


THIS DRAWING CONTAINS INFORMATION THAT IS PROPRIETARY TO MOLEX ELECTRONIC TECHNOLOGIES, LLC AND SHOULD NOT BE USED WITHOUT WRITTEN PERMISSION		CURRENT REV DESC: OBSOLETE PART NUMBER		molex	
DIMENSION UNITS mm	SCALE 3:1	EC NO: 650260		48CKT RA S CMC HEADER	
GENERAL TOLERANCES (UNLESS SPECIFIED)		DRWN: AKUMAR19 2020/11/27		PRODUCT CUSTOMER DRAWING	
ANGULAR TOL ± 1.0°		CHK'D: GGA 2020/12/09		DOCUMENT NUMBER	
4 PLACES ±		APPR: GGA 2020/12/09		DOC TYPE DOC PART REVISION	
3 PLACES ±		INITIAL REVISION:		366381000	
2 PLACES ± 0.1		DRWN: SSUVARNA 2018/12/20		PSD	000
1 PLACE ± 0.2		APPR: SLAFAURE 2019/01/08		000	B
0 PLACES ±		DRAFT WHERE APPLICABLE MUST REMAIN WITHIN DIMENSIONS		SHEET NUMBER	
	THIRD ANGLE PROJECTION	DRAWING	SERIES	MATERIAL NUMBER	CUSTOMER
		A1-SIZE	36638	SEE TABLE	GENERAL MARKET
					1 OF 4



CODING:

DIM	BLACK	BROWN
A	12.90	8.50
B	6.30	10.70
C	8.50	12.90
D	6.30	12.90

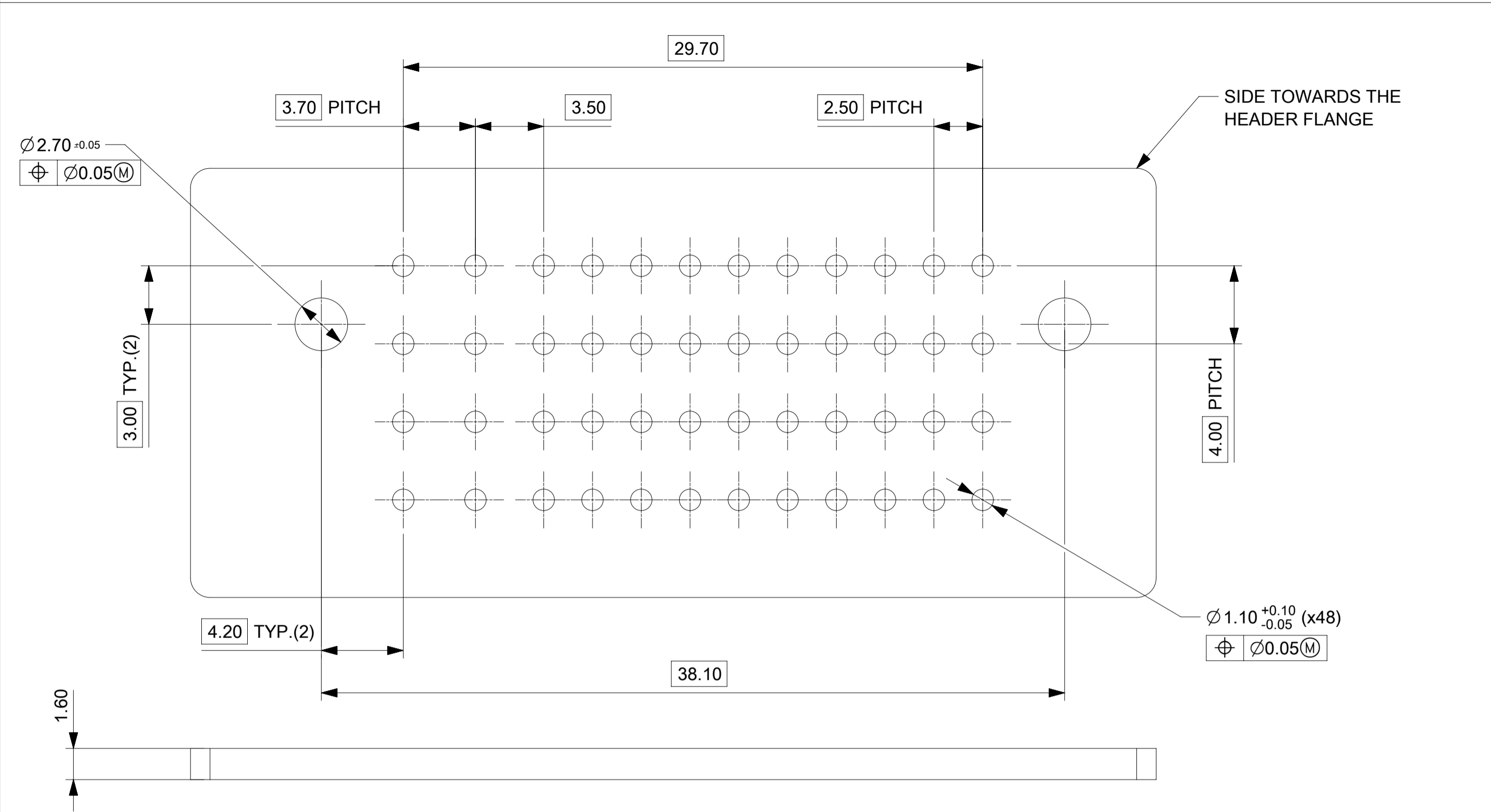


THIS DRAWING CONTAINS INFORMATION THAT IS PROPRIETARY TO MOLEX ELECTRONIC TECHNOLOGIES, LLC AND SHOULD NOT BE USED WITHOUT WRITTEN PERMISSION

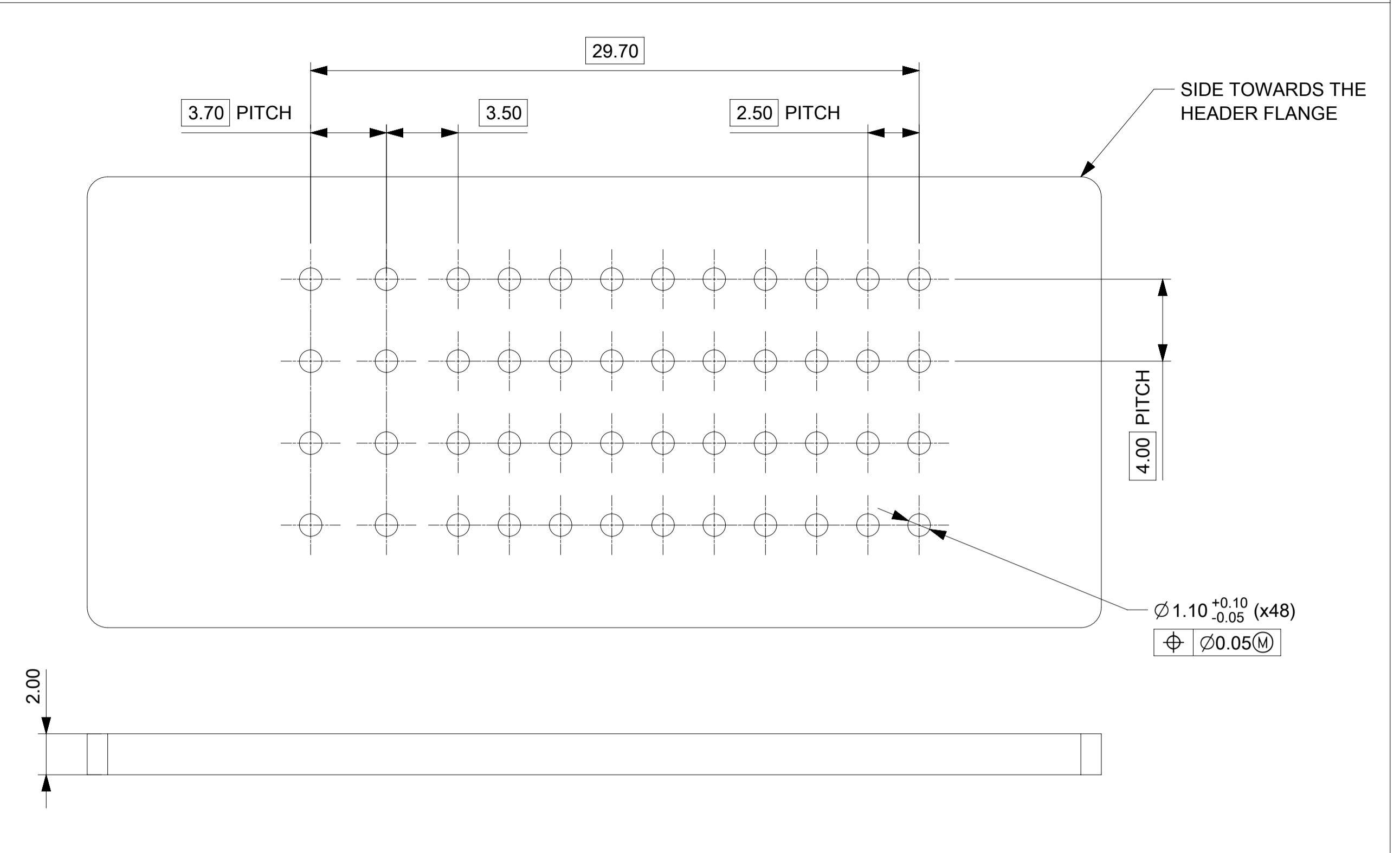
DIMENSION UNITS	SCALE	CURRENT REV DESC: OBSOLETE PART NUMBER		
mm	2:1			
GENERAL TOLERANCES (UNLESS SPECIFIED)				
ANGULAR TOL	± 1.0°			
4 PLACES	±	EC NO: 650260		
3 PLACES	±	DRWN: AKUMAR19	2020/11/27	
2 PLACES	± 0.1	CHK'D: GGA	2020/12/09	
1 PLACE	± 0.2	APPR: GGA	2020/12/09	
0 PLACES	±	INITIAL REVISION:		
DRAFT WHERE APPLICABLE MUST REMAIN WITHIN DIMENSIONS		DRWN: SSVARNA	2018/12/20	
		APPR: SLAFAURE	2019/01/08	
THIRD ANGLE PROJECTION	DRAWING	SERIES	MATERIAL NUMBER	CUSTOMER
	A1-SIZE	36638	SEE TABLE	GENERAL MARKET
		DOCUMENT NUMBER	DOC TYPE	DOC PART
		366381000	PSD	000
		PRODUCT CUSTOMER DRAWING		
		48CKT RA S CMC HEADER		
SHEET NUMBER				
		2 OF 4		

RoHS COMPLIANT

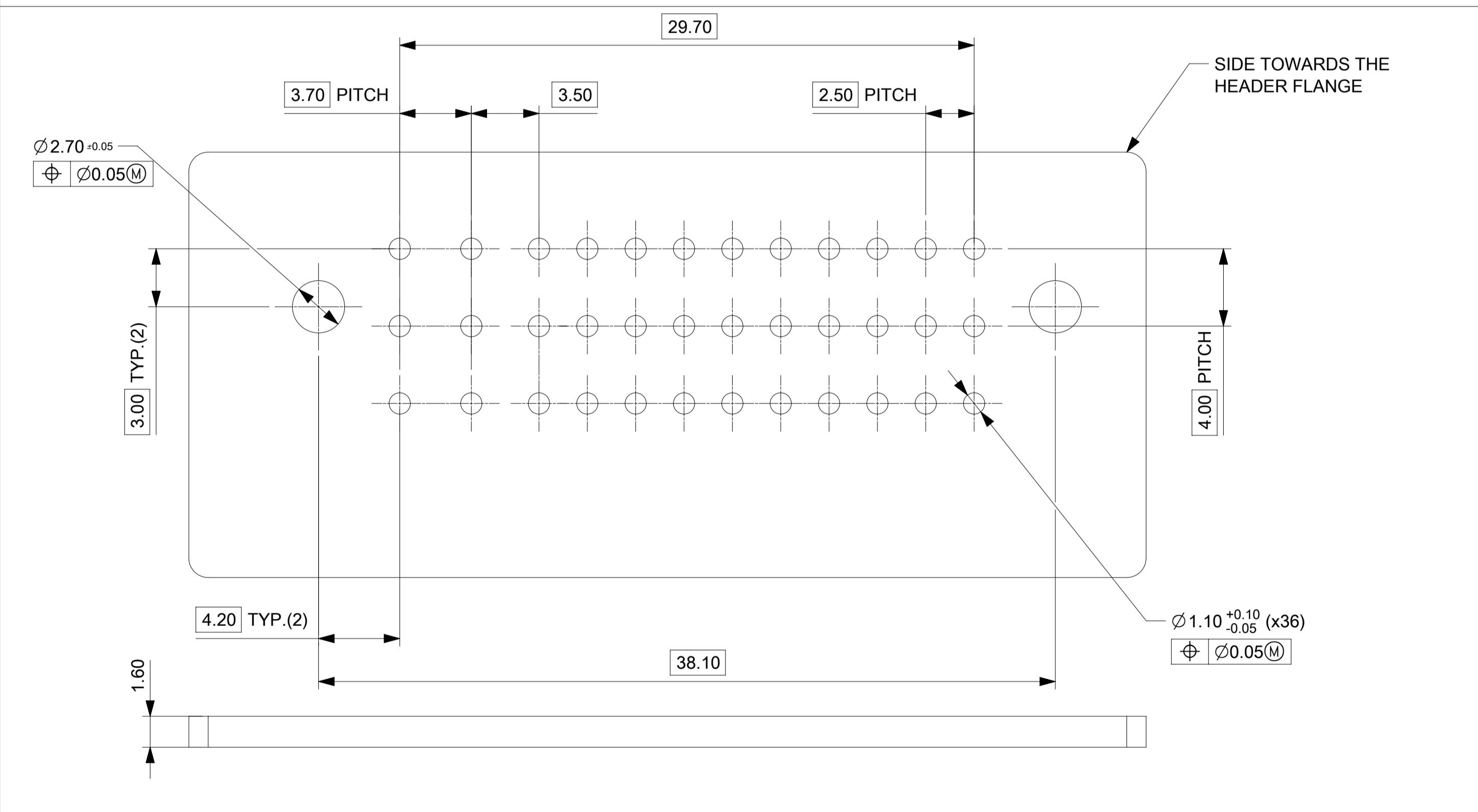
RECOMMENDED PCB PAYOUT



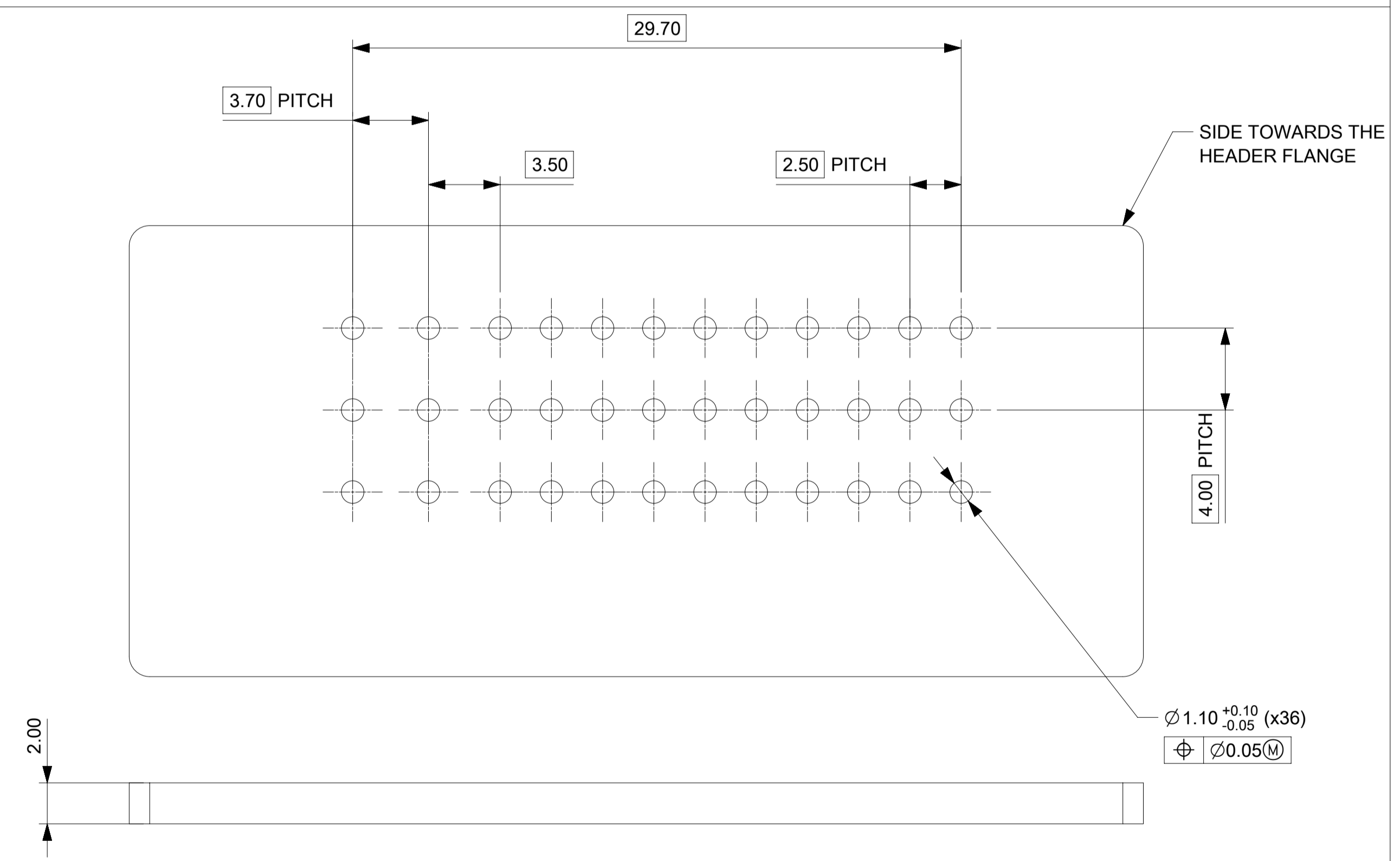
FOR PN 366380002, 366380003, 366380020, 366380021



FOR PN 366380004, 366380005, 366380022, 366380023



FOR PN 366380006, 366380007 AND 366380013



FOR PN 366380008, 366380009 AND 366380019

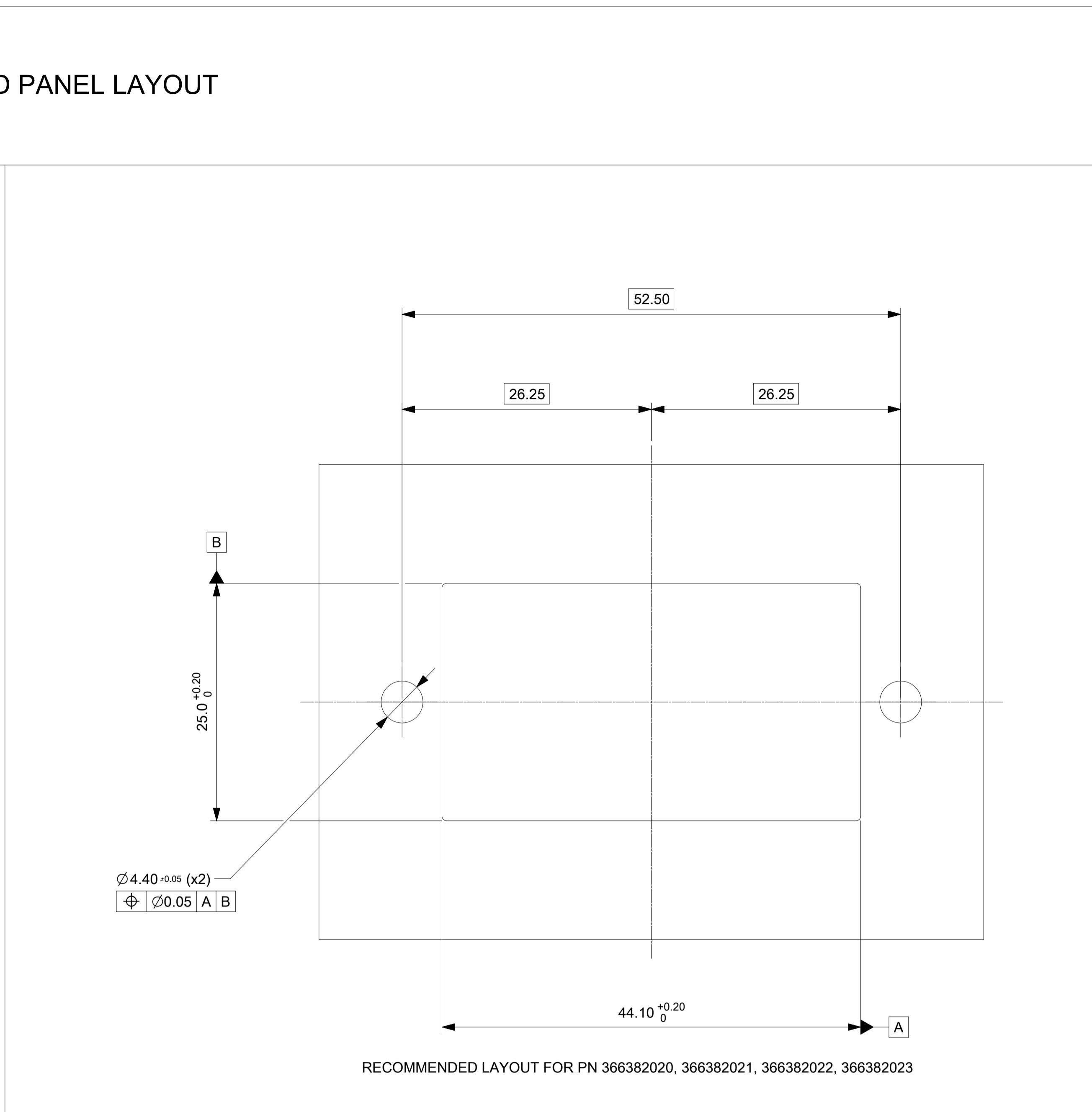
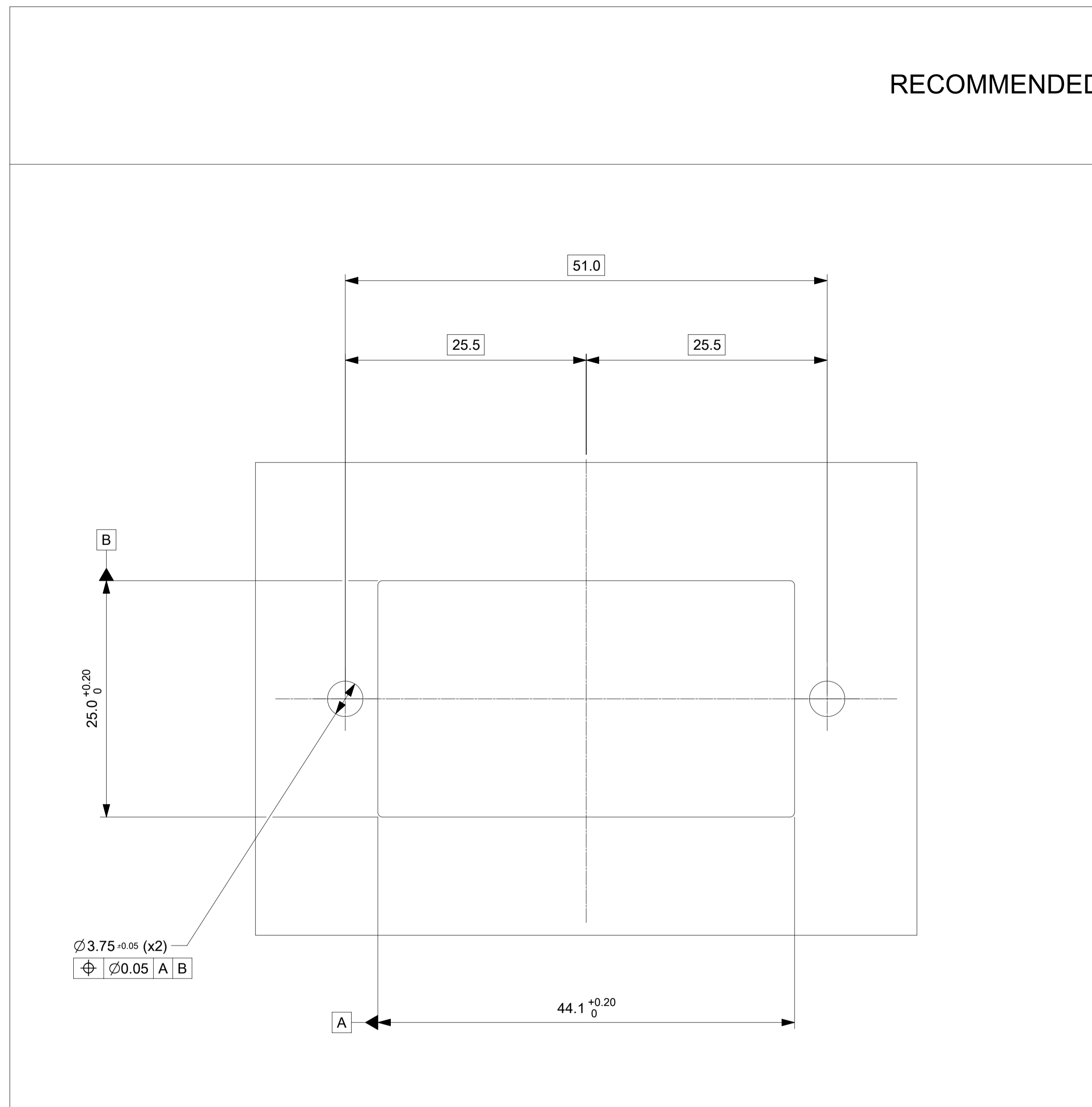
NOTES:

1. THE VIEW 'RECOMMENDED PCB LAYOUT' SHOWS THE SECTION OF THE HOLE POSITION CONCERNING THE HEADER-PIN, GUIDING AND LOCKING LAYOUT.
2. THIS VIEW OF THE HOLE PATTERN DOESN'T POINT TO THE ABSOLUTE POSITION ON THE PCB.
3. THE HOLE PATTERN IS THE COPY OF THE HEADER LAYOUT.
4. PLEASE COMBINE THE TWO ELEMENTS (HEADER AND VIEW OF THE HOLE PATTERN).

THIS DRAWING CONTAINS INFORMATION THAT IS PROPRIETARY TO MOLEX ELECTRONIC TECHNOLOGIES, LLC AND SHOULD NOT BE USED WITHOUT WRITTEN PERMISSION


DIMENSION UNITS	SCALE	CURRENT REV DESC: OBSOLETE PART NUMBER				
mm	5:1					
GENERAL TOLERANCES (UNLESS SPECIFIED)		EC NO: 650260		48CKT RA S CMC HEADER		
ANGULAR TOL	± 1.0°	DRWN: AKUMAR19		2020/11/27		
4 PLACES	±	CHK'D: GGA		2020/12/09		
3 PLACES	±	APPR: GGA		2020/12/09		
2 PLACES	± 0.1	INITIAL REVISION:		PRODUCT CUSTOMER DRAWING		
1 PLACE	± 0.2	DRWN: SSUVARNA		DOCUMENT NUMBER		
0 PLACES	±	APPR: SLAFAURE		366381000		
DRAFT WHERE APPLICABLE MUST REMAIN WITHIN DIMENSIONS		THIRD ANGLE PROJECTION		DOC TYPE DOC PART REVISION		
		DRAWING		PSD 000 B		
		SERIES		MATERIAL NUMBER		
		A1-SIZE		CUSTOMER		
		36638		GENERAL MARKET		
				SHEET NUMBER		
				3 OF 4		

RECOMMENDED PANEL LAYOUT



RECOMMENDED LAYOUT FOR PN 366382020, 366382021, 366382022, 366382023

NOTES:
1. REQUIRED MATING SURFACE FINISH: Ra 3.0µm MAX OR POLISHED

THIS DRAWING CONTAINS INFORMATION THAT IS PROPRIETARY TO MOLEX ELECTRONIC TECHNOLOGIES, LLC AND SHOULD NOT BE USED WITHOUT WRITTEN PERMISSION												
DIMENSION UNITS mm		SCALE 1:1		CURRENT REV DESC: OBSOLETE PART NUMBER				 48CKT RA S CMC HEADER				
GENERAL TOLERANCES (UNLESS SPECIFIED)		ANGULAR TOL ± 1.0°		EC NO: 650260								
4 PLACES ±		3 PLACES ±		DRWN: AKUMAR19		2020/11/27		PRODUCT CUSTOMER DRAWING				
2 PLACES ± 0.1		1 PLACE ± 0.2		CHK'D: GGA		2020/12/09		DOCUMENT NUMBER				
0 PLACES ±		DRAFT WHERE APPLICABLE MUST REMAIN WITHIN DIMENSIONS		APPR: GGA		2020/12/09		366381000		PSD	000	B
THIRD ANGLE PROJECTION		DRAWING		INITIAL REVISION:		DRWN: SSUVARNA		2018/12/20		DOC TYPE		REVISION
A1-SIZE		SERIES		APPR: SLAFAURE		2019/01/08		MATERIAL NUMBER		CUSTOMER		SHEET NUMBER
SEE TABLE		36638		GENERAL MARKET		4 OF 4						