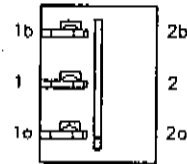
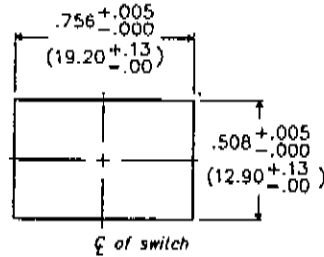
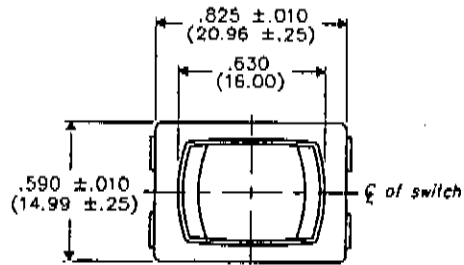


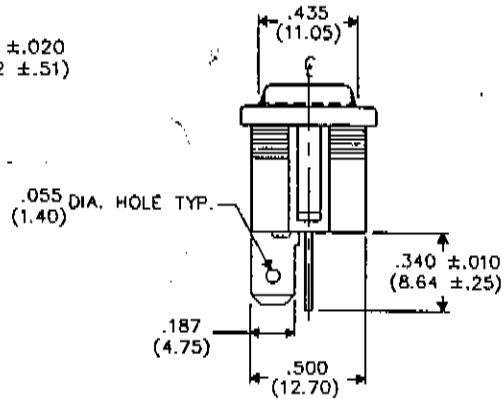
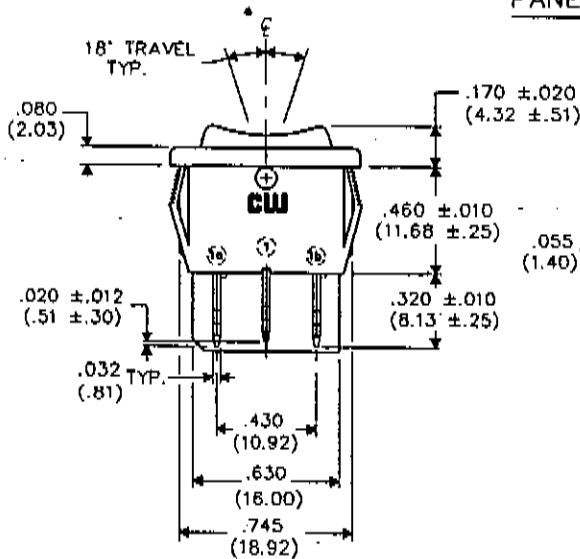
DIMENSIONS IN INCHES (MILLIMETERS)
DO NOT SCALE DRAWING

Dwg. No.
GRS-4013A-0008



PANEL PIERCING

BOTTOM VIEW



UL & CSA LISTED:

13A 125VAC 10A 250VAC
1/2 H.P. 125-250VAC 5A 14V(T)

MATERIALS:

BUTTON - NYLON 6/6 94V-2 COLOR, RED
HOUSING - NYLON 6/6 94V-2 COLOR, BLACK
TERMINAL & MOVING CONTACT - COPPER ALLOY

FORM-B

REVISIONS

0
RELEASED
DCW 10-06-94
OCT 7 - 1994

CW INDUSTRIES
Southampton, Pa. 18966

TOLERANCES UNLESS OTHERWISE SPECIFIED
2 Place decimal ±.010 METRIC
3 Place decimal ±.005 1 Place dec. ±.20mm
Angles ± 1° 2 Place dec. ±.13mm

Title:
**ASSEMBLY
ROCKER SWITCH
S.P. - CENTER OFF
(ON-OFF-ON)**

Made for: CW IND.
Drawn by: DCW 10-06-94

Division:
SWITCH

Checked by: G. Gold 10-7-94
Approval: C. L. ... 10/7/94

Dwg. No.
GRS-4013A-0008

MASTER

MASTER