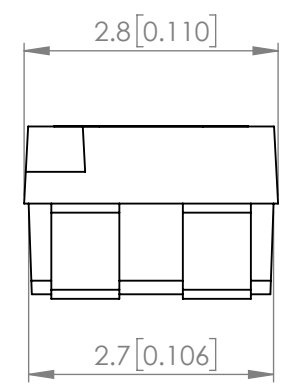
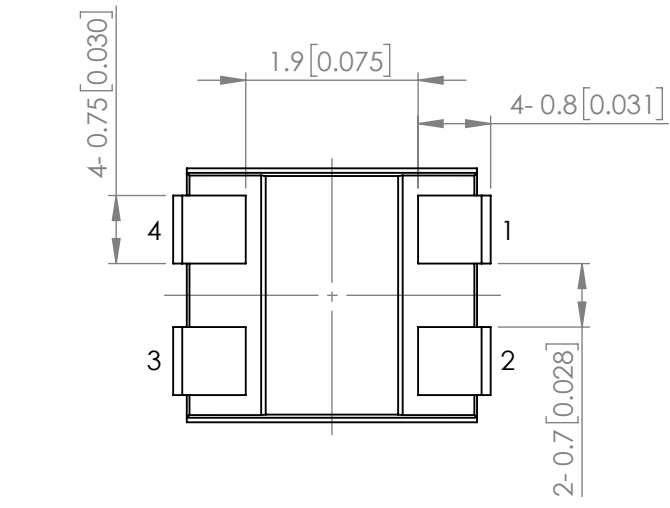
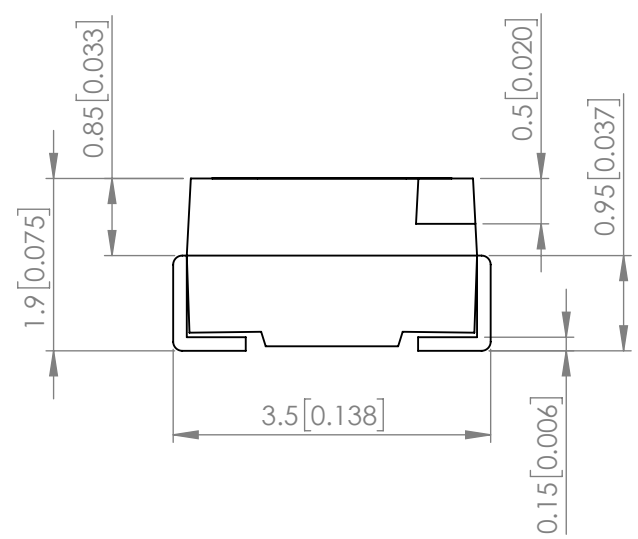
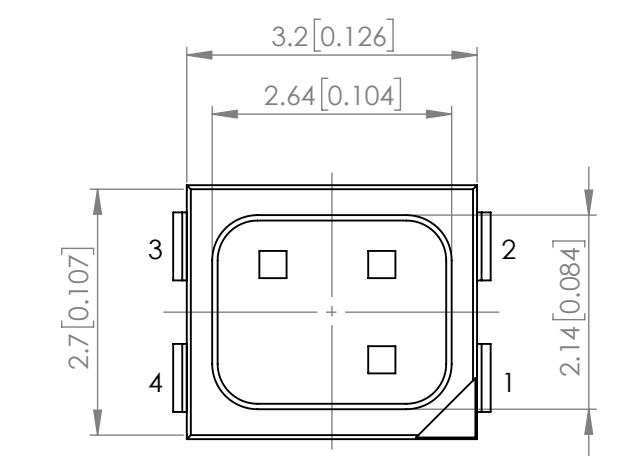
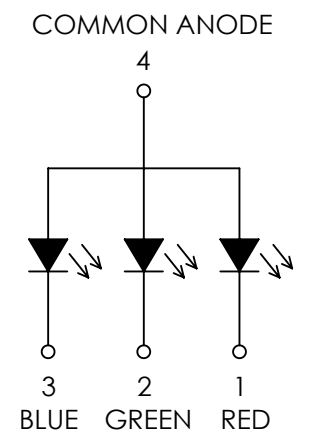


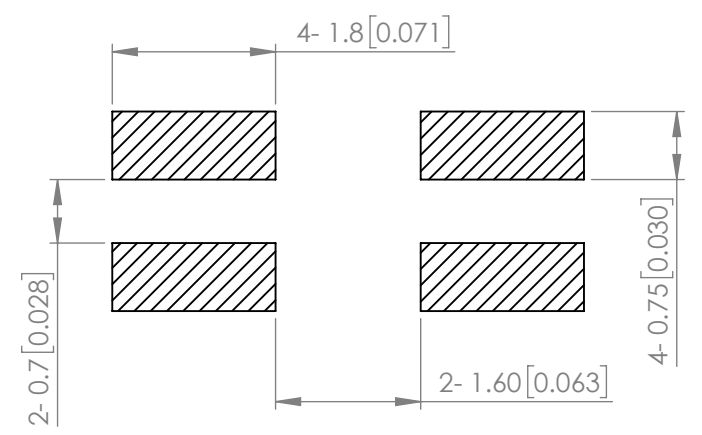
PART NUMBER		SML-LX2835SISUGSBC	REV	E
REV	E.C.N. NUMBER AND REVISION COMMENTS			DATE
A	E.C.N. #11699.			03.01.11
B	E.C.N. #11707.			03.28.11
C	E.C.N. #11798.			01.18.12
D	E.C.N. #11906.			06.04.14
E	ECN-Lumex201700064			08.30.17



POLARITY



RECOMMENDED SOLDER PAD LAYOUT



ELECTRO-OPTICAL CHARACTERISTIC TA=25°C

PARAMETER	MIN	TYP	MAX	UNITS	TEST COND	
PEAK WAVELENGTH	R	-	632	-	nm	If=20mA
	G	-	575	-		
	B	-	428	-		
FORWARD VOLTAGE	R	-	2.0	2.4	Vf	If=20mA
	G	-	2.0	2.4		
	B	-	3.7	4.5		
REVERSE VOLTAGE	R	-	-	5	Vr	Ir=10uA
	G	-	-	5		Ir=10uA
	B	-	-	5		Ir=50uA
LUMINOUS INTENSITY	R	-	85	-	mcd	If=20mA
	G	-	41	-		
	B	-	25	-		
VIEWING ANGLE	-	120	-	2x theta1/2	-	
EMITTED COLOR	RED / GREEN / BLUE					
EPOXY LENS FINISH	WATER CLEAR					

ABSOLUTE MAXIMUM RATINGS TA=25°C

PARAMETER	MAX	UNITS
PEAK FORWARD CURRENT(R/G/B)*	60 / 60 / 70	mA
FORWARD CURRENT(R/G/B)	25 / 25 / 30	mA
POWER DISIPATION(R/G/B)	60 / 60 / 130	mW
STORAGE TEMPERATURE	-40 TO +90	°C
OPERATING TEMPERATURE	-40 TO +85	°C
SOLDERING TEMPERATURE	3 SEC. MAX. @260	°C

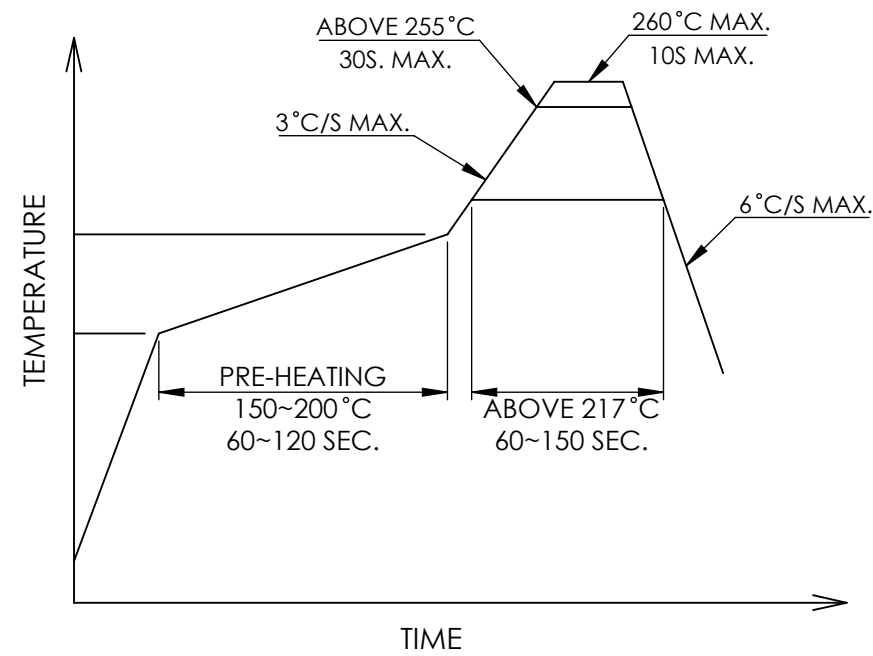
*t<10us

NOTE:
1. RoHS COMPLIANT.

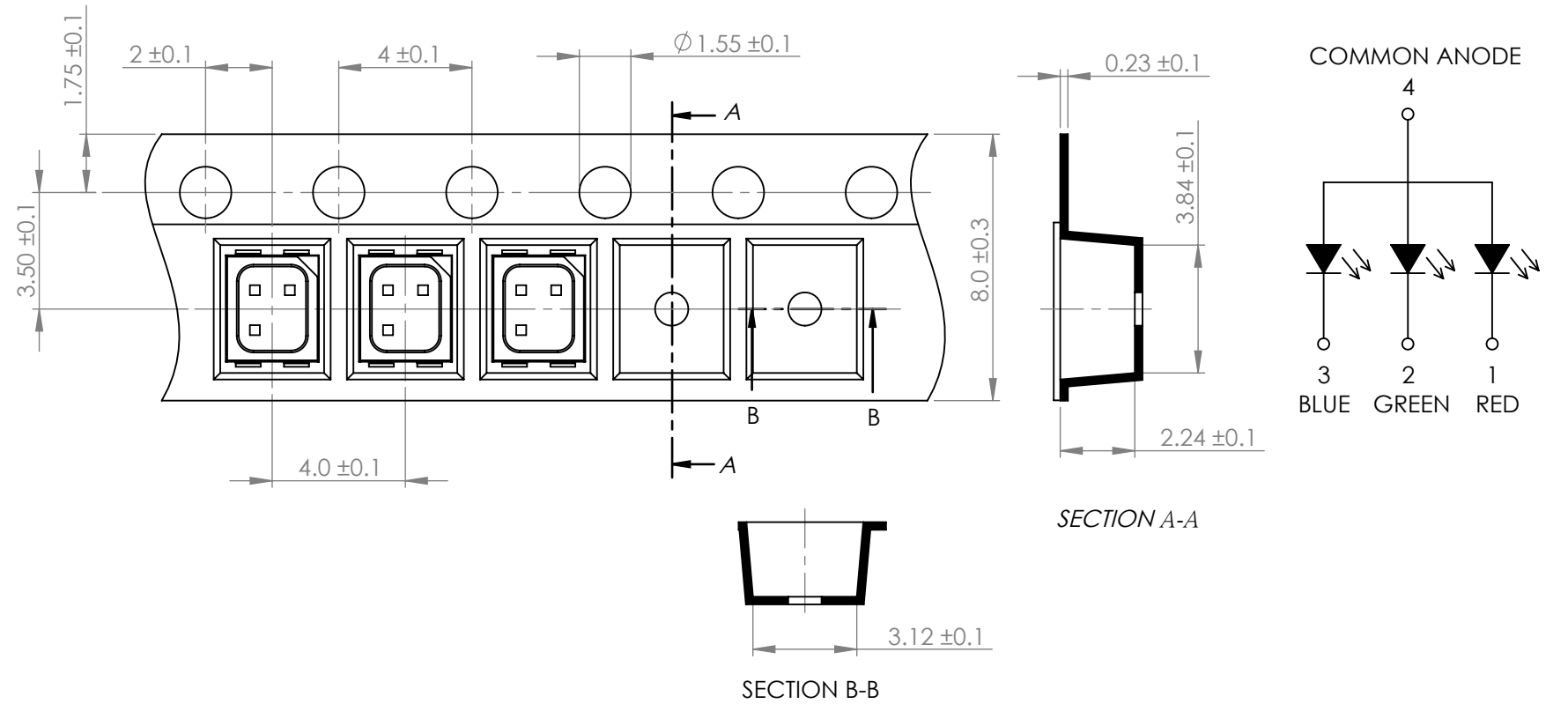
MOISTURE SENSITIVE DEVICE
PER JEDEC LEVEL 3 STANDARDS

*UNLESS OTHERWISE SPECIFIED TOLERANCES PER DECIMAL PRECISION ARE: X=±1 (±0.039), X.X=±0.5 (±0.020), X.XX=±0.25 (±0.010), X.XXX=±0.127 (±0.005). LEAD SIZE=±0.05 (±0.002), LEAD LENGTH=±0.75 (±0.030). MIN= ^{+DECIMAL PRECISION}/_{-0.00} MAX= ^{+0.00}/_{-DECIMAL PRECISION}

PROFILE



CARRIER TAPE DIMENSION



*UNLESS OTHERWISE SPECIFIED TOLERANCES PER DECIMAL PRECISION ARE: X=±1 (±0.039), X.X=±0.5 (±0.020), X.XX=±0.25 (±0.010), X.XXX=±0.127 (±0.005). LEAD SIZE=±0.05 (±0.002), LEAD LENGTH=±0.75 (±0.030). MIN= ^{+DECIMAL PRECISION}/_{-0.00} MAX= ^{+0.00}/_{-DECIMAL PRECISION}

<p>425 N. GARY AVE. CAROL STREAM, IL 60188 PHONE : 800-278-5666 FAX : 630-315-2150 WEB : WWW.LUMEX.COM</p>	3.5(L)*2.7(W)*1.9(H)mm, SURFACE MOUNT TOP VIEW LED, AlGaInP RED / AlGaInP GREEN / GaN BLUE, WATER CLEAR LENS, TAPE & REEL.	DATE : 2017.08.25	DRAWN BY : C.C.	
	THE SPECIFICATIONS MAY CHANGE AT ANY TIME WITHOUT NOTICE DUE TO NEW MATERIALS OR PRODUCT IMPROVEMENT.	PAGE : 2 OF 2	CHKD BY : G.Y.	
	CONFIDENTIAL INFORMATION THE INFORMATION CONTAINED IN THIS DOCUMENT IS THE PROPERTY OF LUMEX INC. EXCEPT AS SPECIFICALLY AUTHORIZED IN WRITING BY LUMEX INC., THE HOLDER OF THIS DOCUMENT SHALL KEEP ALL INFORMATION CONTAINED HEREIN CONFIDENTIAL AND SHALL PROTECT SAME IN WHOLE OR IN PART FROM DISCLOSURE AND DISSEMINATION TO ALL THIRD PARTIES.	SCALE : NTF	APRVD BY : E.C.	
		UNIT : mm [INCH]		