

## VS-08-TB-2LL-RJ45/IP65

This product has been replaced by a newer version.

Order No.: 1652237



<http://eshop.phoenixcontact.de/phoenix/treeViewClick.do?UID=1652237>

Terminal outlet, VS-RJ45/IP67, surface mounting, IP65, two slots, LSA connection, CAT5e, for round cable 5 mm ... 13 mm, with filler plug, color: gray

### Ethernet

#### Commercial data

GTIN (EAN)	
Note	Made-to-order
sales group	D551
Pack	1 pcs.
Customs tariff	85369010
Catalog page information	Page 180 (PC-2007)

#### Product notes

WEEE/RoHS-compliant since:  
09/06/2006



<http://www.download.phoenixcontact.com>  
Please note that the data given here has been taken from the online catalog. For comprehensive information and data, please refer to the user documentation. The General Terms and Conditions of Use apply to Internet downloads.

#### Technical data

##### Mechanical characteristics

Number of positions	8
Number of slots	2
Shielded	Yes

Insertion/withdrawal cycles	≥ 750
Type of connection	LSA-PLUS
Conductor cross-section	0.14 mm <sup>2</sup> ... 0.34 mm <sup>2</sup> (solid)
Connection cross-section AWG	26 ... 22 (solid)
External cable diameter	5 mm ... 13 mm
Type of cable	Round cable
Color	beige RAL 1001
Ambient temperature (operation)	-40 °C ... 80 °C

#### Material data

Housing material	Aluminum alloy
Contact carrier material	PBT
Contact material	Copper alloy
Contact surface material	Gold over nickel
Degree of protection	IP65

#### Electrical characteristics

Number of positions	8
Transmission characteristics (category)	CAT5 (IEC 11801:2002), CAT5e (TIA 568B:2001)
Rated current	1 A

#### Accessories

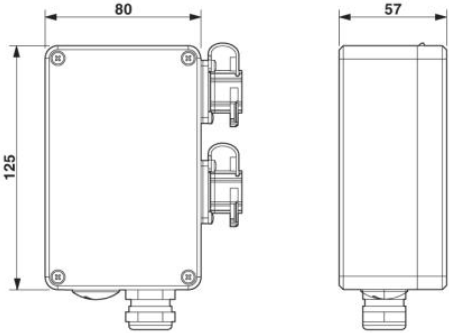
Item	Designation	Description
2765505	CT-WZ/A	Split-core tool for connecting cables to LSA-Plus strips

#### General

2765505	CT-WZ/A	Split-core tool for connecting cables to LSA-Plus strips
---------	---------	--

**Diagrams/Drawings**

Dimensioned drawing



Terminal outlet

**Address**

PHOENIX CONTACT Deutschland GmbH  
Flachmarktstr. 8  
32825 Blomberg, Germany  
Phone +49 5235 3 12000  
Fax +49 5235 3 41200  
<http://www.phoenixcontact.de>



© 2011 Phoenix Contact  
Technical modifications reserved;