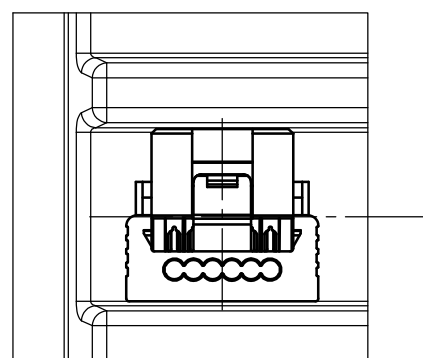
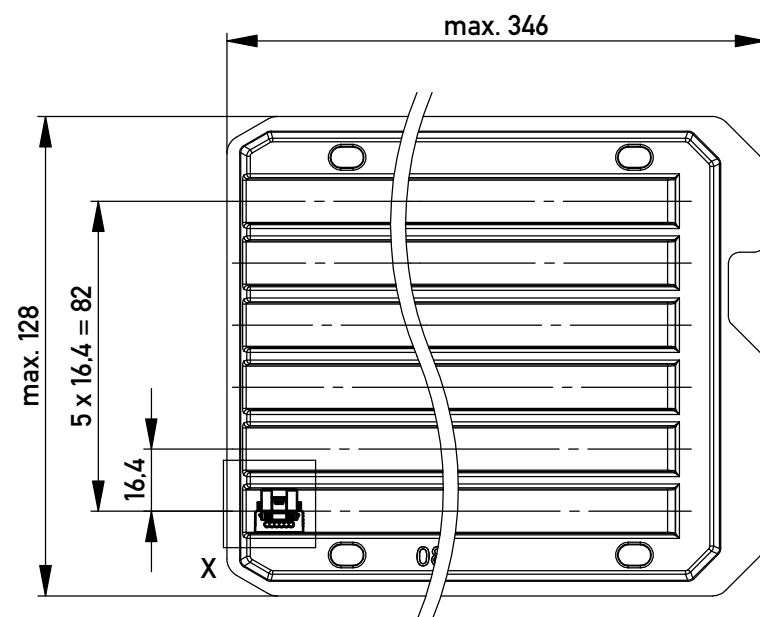


Einzelheit X - detail X
M 2:1



Verpackt in Tray - tray packaging
Verpackungseinheit 144 Stück - packaging unit 144 pcs



* Federkontakt AWG 22 - Female Contact AWG 22
Kabelführung $\phi 1.27$ - cable guide $\phi 1.27$

Copyright by ERNI Production GmbH & Co. KG
Proprietary notice pursuant to ISO 16016 to be observed.

Information:		Tolerances	für Einzeladern AWG 22, ohne Hilfsmittel lösbar for single conductors AWG 22, without tool unlockable	
All rights reserved. Only for Information. To ensure that this is the latest version of this drawing, please contact one of the ERNI companies before using.		 All Dimensions in mm	Scale	5:1
Subject to modification without prior notice. Drawing will not be updated.			Designation 1,27 SRC P SKV, 6-polig 1,27 SRC P IDC, 6-pin	
www.ERNI.com		100204530001		K
Index	Date	Class		A3
		SRCP		