



ELD-850-394

- **INFRARED Light Emitting Diode**
- **850 nm, 18 mW**
- **Wide Viewing Angle (90°)**
- **3 mm epoxy package**



Description

ELD-850-394 is an **InGaAS, DDH** infrared LED, typically emitting at 850 nm with an optical output power of 18 mW. It comes in a hermetically sealed clear 3 mm epoxy resin. ELD-850-394 is typically used for optical switches and fiber optical communications.

Maximum Rating ($T_{CASE} = 25^{\circ}C$)

Parameter	Symbol	Values		Unit
		Min.	Max.	
Power Dissipation, DC	P_D		190	mW
Forward Current	I_F		150	mA
Pulse Forward Current*	I_{FP}		1	A
Reverse Voltage	V_R	5		V
Operating Temperature	T_{OPR}	- 20	+ 80	$^{\circ}C$
Storage Temperature	T_{STG}	- 30	+ 100	$^{\circ}C$
Soldering Temperature (max. 3s)	T_{SOL}		+ 260	$^{\circ}C$
Junction Temperature	T_J		100	$^{\circ}C$

* $t_p = 10 \mu s$, $T = 10 ms$

Electro-Optical Characteristics ($T_{CASE} = 25^{\circ}C$, $I_F = 50 mA$)

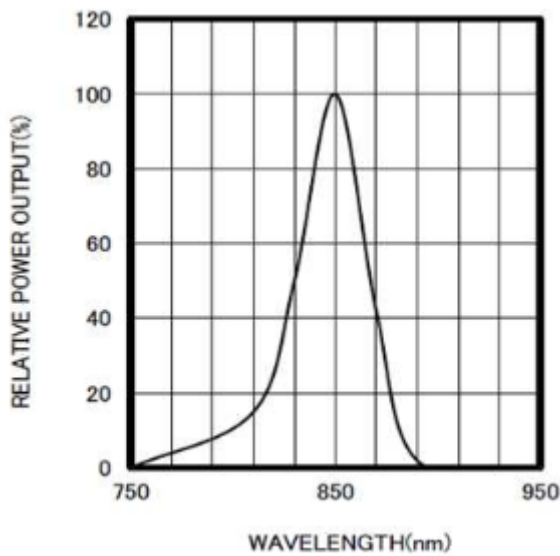
Parameter	Symbol	Values			Unit
		Min.	Typ.	Max.	
Peak Wavelength	λ_P		850		nm
Spectral Bandwidth (FWHM)	$\Delta\lambda$		30		nm
Forward Voltage	V_F		1.5	1.9	V
Output Power	Θ_e		18		mW
Reverse Current	I_R			100	μA
Viewing Half Angle	$\Theta_{1/2}$		45		deg.



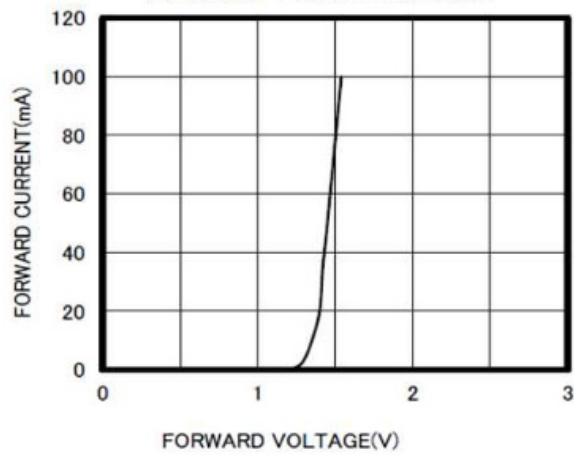


Performance Characteristics

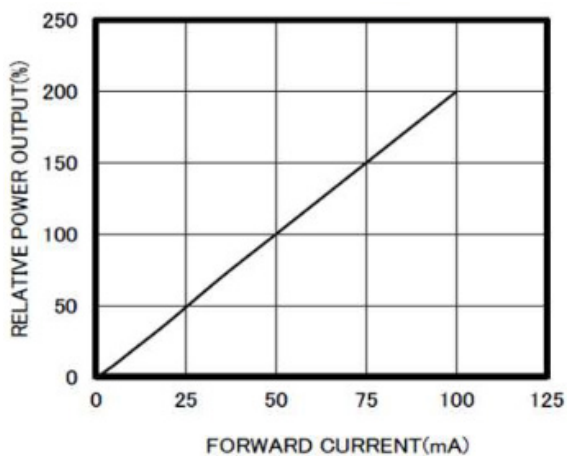
Relative Power vs. Wavelength



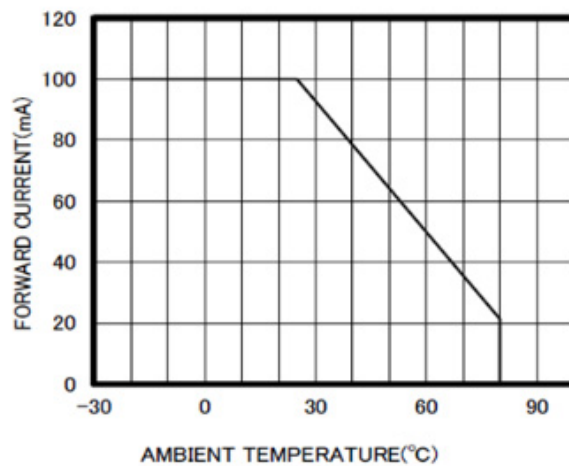
Forward Current vs. Forward Voltage



Relative Output Power vs. Forward Current



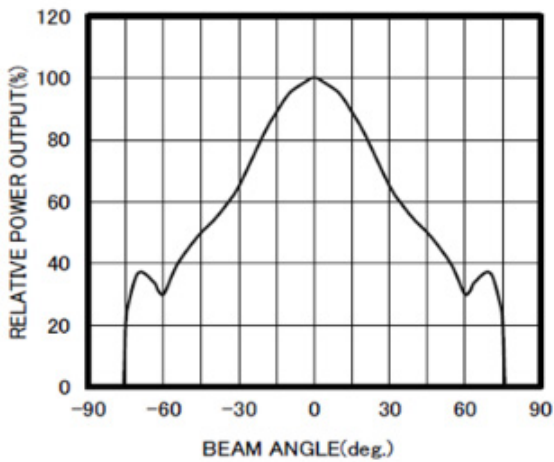
Forward Current vs. Ambient Temperature





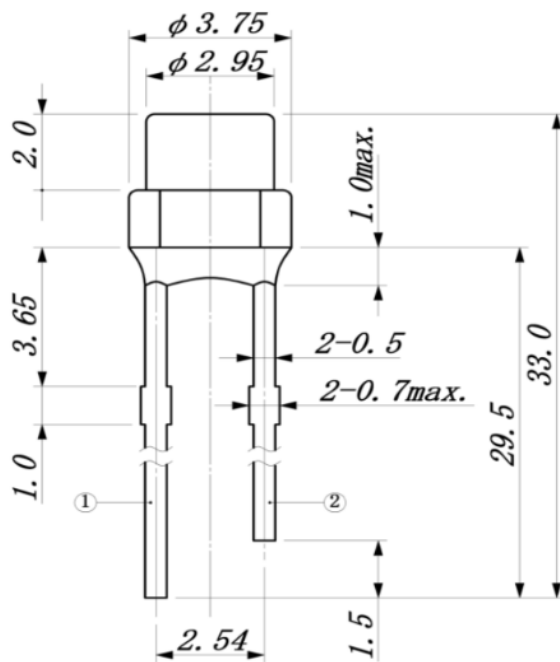
Performance Characteristics

Relative Output Power vs. Beam Angle



intentionally left blank

Outline Dimensions



All dimensions in mm