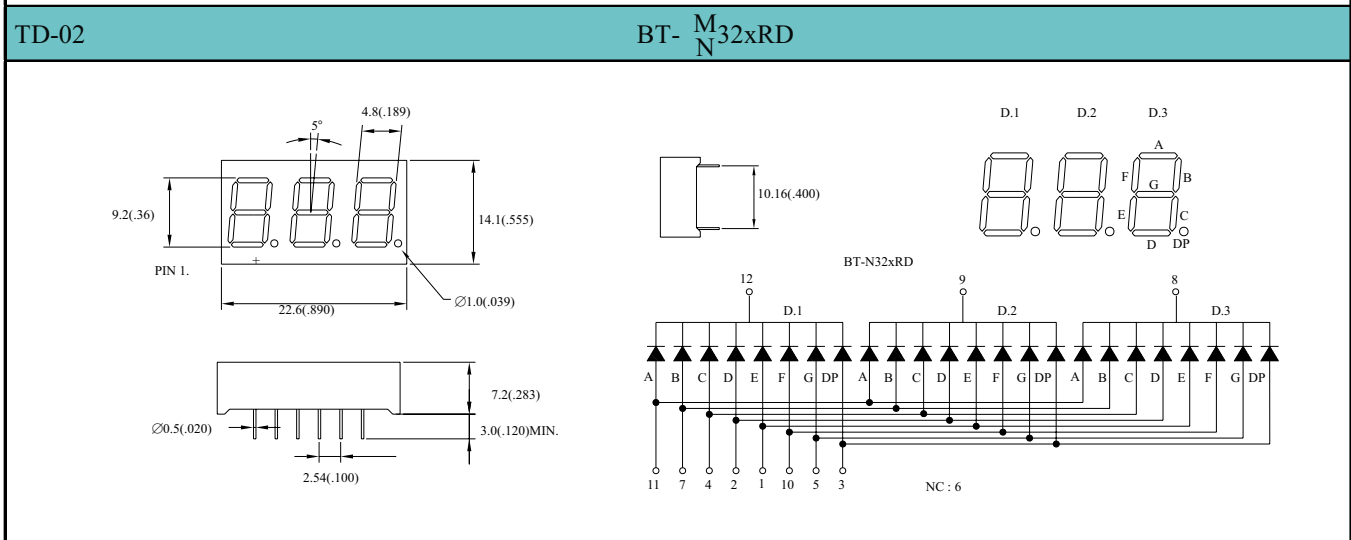
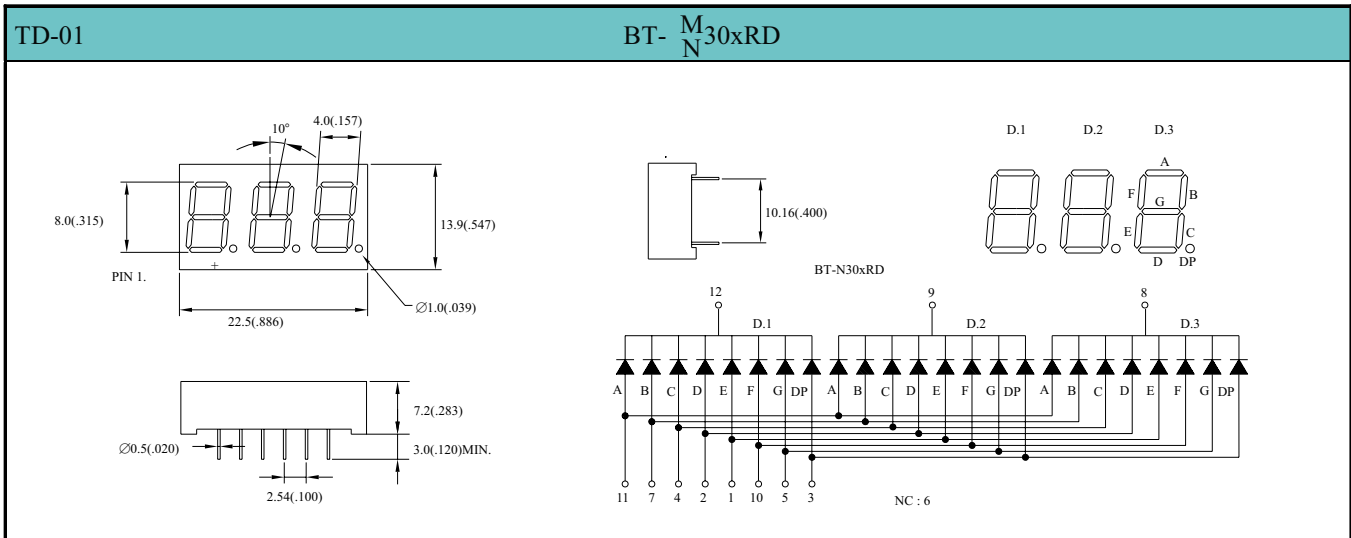




# THREE DIGIT LED DISPLAYS

Digit Size	Part No.		Chip		Absolute Maximum Ratings				Electro-optical Data(At 10mA)			Drawing No.
	Common Anode	Common Cathode	Material/Emitted Color	Peak Wave Length $\lambda_p$ (nm)	$\Delta \lambda$ (nm)	Pd (mw)	If (mA)	Ifp (mA)	Vf (v)		Iv. Typ. Per.Seg. (mcd)	
									Typ.	Max.		
0.31" Three-Digit	BT-M301RD	BT-N301RD	GaAsP/Red	655	40	80	40	200	1.7	2.0	0.6	TD-01
	BT-M305RD	BT-N305RD	GaP/ Bright Red	700	90	40	15	50	2.2	2.5	1.2	
	BT-M305RE	BT-N305RE										
	BT-M302RD	BT-N302RD	GaP/ Green	568	30	80	30	150	2.2	2.5	3.0	
	BT-M303RD	BT-N303RD	GaAsP/GaP/ Yellow	585	35	80	30	150	2.1	2.5	2.0	
	BT-M304RD	BT-N304RD	GaAsP/GaP/ Hi-Eff.Red	635	45	80	30	150	2.0	2.5	3.0	
			GaAsP/GaP/ Orange									
	BT-M306RD	BT-N306RD	GaAlAs/ SH Super Red	660	20	80	30	150	1.7	2.5	6.0	
BT-M30DRD	BT-N30DRD	GaAlAs/ DH Super Red	660	20	80	30	150	1.7	2.5	7.0		
0.36" Three-Digit	BT-M321RD	BT-N321RD	GaAsP/Red	655	40	80	40	200	1.7	2.0	0.6	TD-02
	BT-M325RD	BT-N325RD	GaP/ Bright Red	700	90	40	15	50	2.2	2.5	1.2	
	BT-M325RE	BT-N325RE										
	BT-M322RD	BT-N322RD	GaP/ Green	568	30	80	30	150	2.2	2.5	3.0	
	BT-M323RD	BT-N323RD	GaAsP/GaP/ Yellow	585	35	80	30	150	2.1	2.5	2.0	
	BT-M324RD	BT-N324RD	GaAsP/GaP/ Hi-Eff.Red	635	45	80	30	150	2.0	2.5	3.0	
			GaAsP/GaP/ Orange									
	BT-M326RD	BT-N326RD	GaAlAs/ SH Super Red	660	20	80	30	150	1.7	2.5	6.0	
BT-M32DRD	BT-N32DRD	GaAlAs/ DH Super Red	660	20	80	30	150	1.7	2.5	7.0		



NOTES: 1.All Dimensions are in millimeters(inches).  
 2.Tolerance is  $\pm 0.25\text{mm}(.010")$ .  
 3.Specifications are subject to change without notice.  
 4.NP:No Pin. 5.NC:No Connect.