

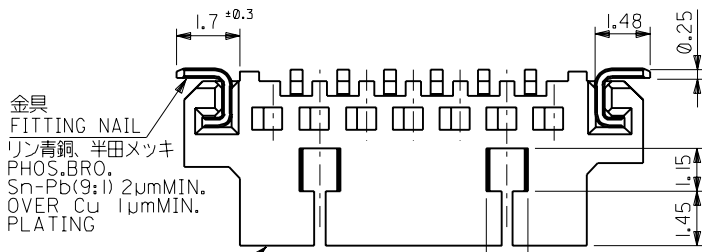
DWG. NO. SD-53398-***10

E

D

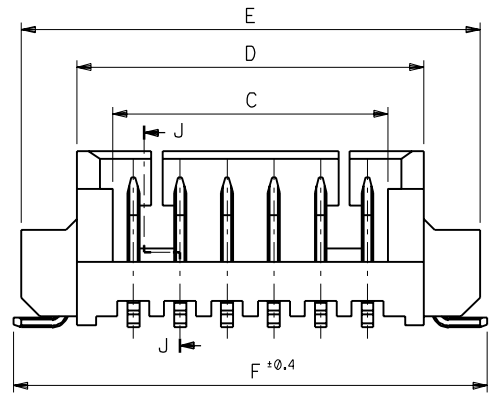
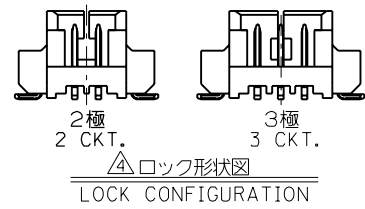
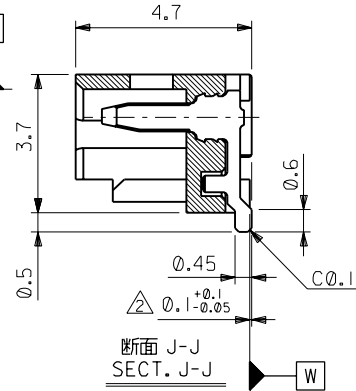
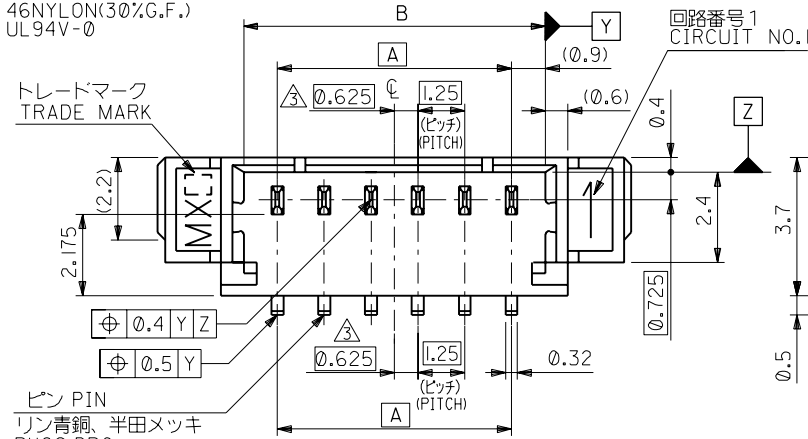
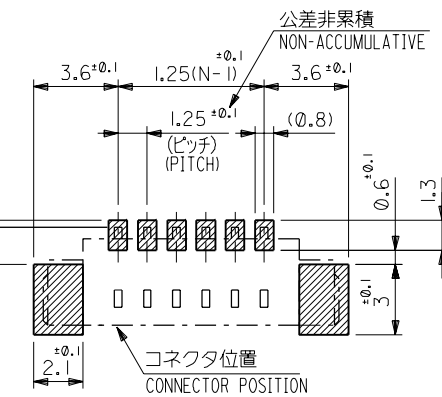
DIMENSIONS IN METRIC DO NOT SCALE DRAWING

A



注記 NOTES

1. 嵌合相手: 51021 シリーズ MATE WITH : 51021 SERIES
- △ 水平面上において、ウエハー底面 [W] とソルダーテール及びフィッティングネイル底面とのズレ量を示す。
MISALIGNMENT OF SOLDER TAIL & FITTING NAIL FROM [W]
- △ 偶数極のみ適用。APPLY EVEN CIRCUIT PRODUCTS.
- △ ロック窓は、2、3極は1ヶ所、4極以上は2ヶ所とする。
LOCKING WINDOW : ONE PLACE FOR 2&3 CKTS.
TWO PLACES FOR MORE THAN 4 CKTS.



| | | | | | | | |
|-------|-------|-------|-------|-------|-------|------------|-----------------|
| 23.9 | 23.5 | 20.5 | 18.6 | 19.3 | 17.5 | 53398-1510 | 15 |
| 22.65 | 22.25 | 19.25 | 17.35 | 18.05 | 16.25 | ↑ -1410 | 14 |
| 21.4 | 21 | 18 | 16.1 | 16.8 | 15 | ↑ -1310 | 13 |
| 20.15 | 19.75 | 16.75 | 14.85 | 15.55 | 13.75 | ↑ -1210 | 12 |
| 18.9 | 18.5 | 15.5 | 13.6 | 14.3 | 12.5 | ↑ -1110 | 11 |
| 17.65 | 17.25 | 14.25 | 12.35 | 13.05 | 11.25 | ↑ -1010 | 10 |
| 16.4 | 16 | 13 | 11.1 | 11.8 | 10 | ↑ -0910 | 9 |
| 15.15 | 14.75 | 11.75 | 9.85 | 10.55 | 8.75 | ↑ -0810 | 8 |
| 13.9 | 13.5 | 10.5 | 8.6 | 9.3 | 7.5 | ↑ -0710 | 7 |
| 12.65 | 12.25 | 9.25 | 7.35 | 8.05 | 6.25 | ↑ -0610 | 6 |
| 11.4 | 11 | 8 | 6.1 | 6.8 | 5 | ↑ -0510 | 5 |
| 10.15 | 9.75 | 6.75 | 4.85 | 5.55 | 3.75 | ↑ -0410 | 4 |
| 8.9 | 8.5 | 5.5 | 3.6 | 4.3 | 2.5 | ↑ -0310 | 3 |
| 7.65 | 7.25 | 4.25 | 2.35 | 3.05 | 1.25 | ↑ -0210 | 2 |
| F | E | D | C | B | A | ENG. NO. | 極数 NO. OF CKTS. |

| | | | | | | |
|-------|---------------|-------------|-------|----------|--------------------|-------------------|
| F | 変更 REVISD | WC2000-0636 | K.K. | 00/3/30 | 材料 MATERIAL | 図中参照 SEE DRAWING |
| E | 変更 REVISD | WC800048 | M.F. | 97/7/5 | 仕上げ FINISH | — |
| D | 変更 REVISD | U31030 | M.F. | 93/10/13 | 適用電線範囲 WIRE RANGE | — |
| C | 変更 REVISD | U30753 | K.T. | 93/7/29 | 被覆外径 INS. RANGE | — |
| B | 変更 REVISD | U30610 | K.T. | 93/6/18 | DRAWN BY '92/10/12 | CHK'D BY '00/3/30 |
| A | 変更 REVISD | U30230 | H.H. | 93/3/10 | K.TOJO | T.YAMAGUCHI |
| 0 | 新規作成 RELEASED | U20942 | H.H. | 92/10/12 | APP'D BY '00/3/30 | M.FUKUSHIMA |
| DR. | DR. | DR. | DR. | DR. | DR. | DR. |
| DATE | DATE | DATE | DATE | DATE | DATE | DATE |
| SCALE | SCALE | SCALE | SCALE | SCALE | SCALE | SCALE |

MOLEX JAPAN CO., LTD.
日本モレックス株式会社

REVISE ONLY ON CAD SYSTEM

TITLE 名称
1.25 WIRE TO BOARD CONN.
WAFER ASS'Y FOR SMT (ST.)

DWG. NO. SD-53398-***10 REV F

THIS DRAWING CONTAINS INFORMATION THAT IS PROPRIETARY TO MOLEX(JAPAN) AND SHOULD NOT BE USED WITHOUT WRITTEN PERMISSION
本図面は日本モレックス(株)の所有する情報を含むもので 当社の許可なく複製を禁止する。
EN-01C(032)MXJ-32

10 9 8 7 6 5 4 3 2 1

F

F

E

E

D

D

C

C

B


B

A

A

| | | | | | | | |
|-------|-------|-------|-------|-------|-------|--|-----------------------|
| 23.9 | 23.5 | 20.5 | 18.6 | 19.3 | 17.5 | 53398-1571 | 15 |
| 22.65 | 22.25 | 19.25 | 17.35 | 18.05 | 16.25 | 53398-1471 | 14 |
| 21.4 | 21 | 18 | 16.1 | 16.8 | 15 | 53398-1371 | 13 |
| 20.15 | 19.75 | 16.75 | 14.85 | 15.55 | 13.75 | 53398-1271 | 12 |
| 18.9 | 18.5 | 15.5 | 13.6 | 14.3 | 12.5 | 53398-1171 | 11 |
| 17.65 | 17.25 | 14.25 | 12.35 | 13.05 | 11.25 | 53398-1071 | 10 |
| 16.4 | 16 | 13 | 11.1 | 11.8 | 10 | 53398-0971 | 9 |
| 15.15 | 14.75 | 11.75 | 9.85 | 10.55 | 8.75 | 53398-0871 | 8 |
| 13.9 | 13.5 | 10.5 | 8.6 | 9.3 | 7.5 | 53398-0771 | 7 |
| 12.65 | 12.25 | 9.25 | 7.35 | 8.05 | 6.25 | 53398-0671 | 6 |
| 11.4 | 11 | 8 | 6.1 | 6.8 | 5 | 53398-0571 | 5 |
| 10.15 | 9.75 | 6.75 | 4.85 | 5.55 | 3.75 | 53398-0471 | 4 |
| 8.9 | 8.5 | 5.5 | 3.6 | 4.3 | 2.5 | 53398-0371 | 3 |
| 7.65 | 7.25 | 4.25 | 2.35 | 3.05 | 1.25 | 53398-0271 | 2 |
| F | E | D | C | B | A | EMBOSSED TAPE PKG. (HIGH BARRIER PKG.) ORDER No. | 種数 No. of &T's. |

CONNECTOR SERIES NO. 53398-***19

| | | | | | | | |
|--|---------------------------------------|-------------------|---|------------------|---|------------------------|-----------|
| REVISED EC NO: J2010-0213 DRWN:TKON 2009/09/25 CHKD:NUKITA 2009/09/25 APPR:NUKITA 2009/09/28 | GENERAL TOLERANCES (UNLESS SPECIFIED) | | DIMENSION STYLE MM ONLY | SCALE --- | DESIGN UNITS METRIC | THIRD ANGLE PROJECTION | |
| | 10 UNDER | ±0.2 | DRAWN BY MNINOMIYA | DATE 04/02/06 | TITLE 1.25 W/B CONN. ASS'Y FOR SMT(ST.) -LEAD FREE- | | |
| | 10 OVER 30 UNDER | ±0.25 | CHECKED BY KTOJO | DATE 04/02/06 |  MOLEX INCORPORATED | | |
| | 30 OVER | ±0.3 | APPROVED BY MSASAO | DATE 04/02/06 | | | |
| | ANGULAR ±3 ° | | MATERIAL NO. | SEE TABLE | DOCUMENT NO. | SD-53398-032 | SHEET NO. |
| DRAFT WHERE APPLICABLE MUST REMAIN WITHIN DIMENSIONS | | SIZE A3 | THIS DRAWING CONTAINS INFORMATION THAT IS PROPRIETARY TO MOLEX INCORPORATED AND SHOULD NOT BE USED WITHOUT WRITTEN PERMISSION | | | | |

10 9 8 7 6 5 4 3 2 1

F

E

D

C

B

A

F

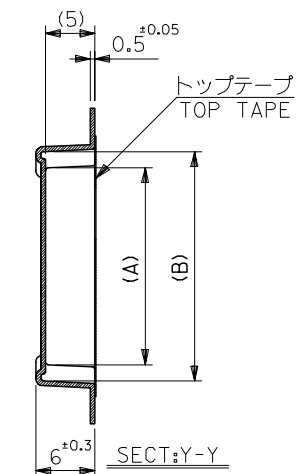
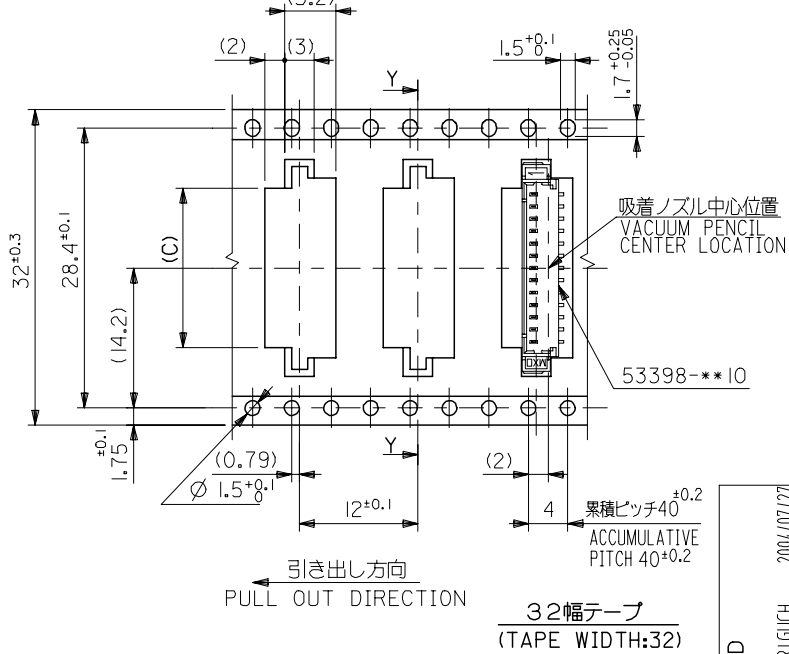
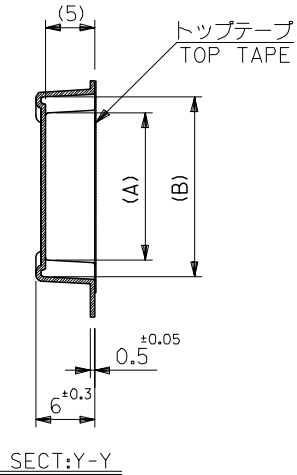
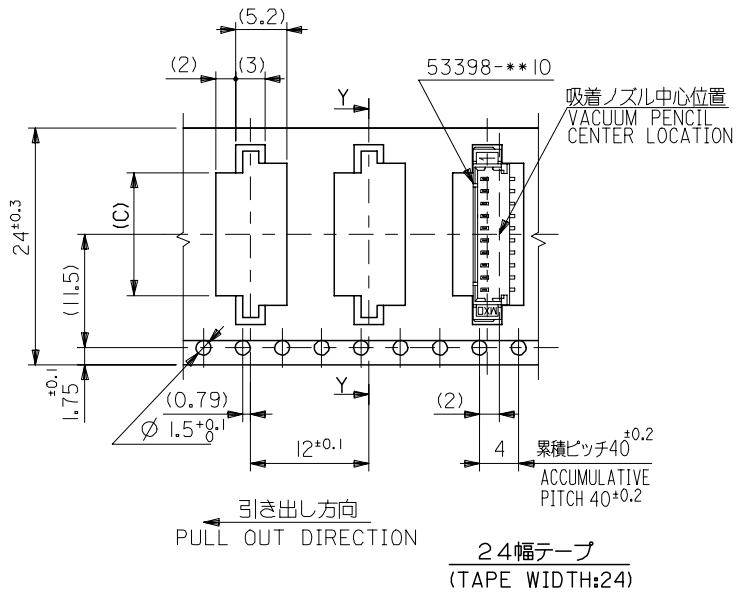
E

D

C

B

A



| | | | | | | |
|--------------------------------|------|-------|-------|-------|------------|------------|
| 32 | 33.4 | 16.2 | 22 | 18.3 | 53398-1390 | 13 |
| | | 14.95 | 20.75 | 17.05 | -1290 | 12 |
| 24 | 25.4 | 13.7 | 19.5 | 15.8 | -1190 | 11 |
| | | 12.45 | 18.25 | 14.55 | -1090 | 10 |
| | | 11.2 | 17 | 13.3 | -0990 | 9 |
| | | 9.95 | 15.75 | 12.05 | -0890 | 8 |
| | | 8.7 | 14.5 | 10.8 | -0790 | 7 |
| | | 7.45 | 13.25 | 9.55 | -0690 | 6 |
| | | 6.2 | 12 | 8.3 | -0590 | 5 |
| | | 4.95 | 10.75 | 7.05 | 53398-0490 | 4 |
| キャリアテープ幅 CARRIER TAPE WIDTH | D | (C) | (B) | (A) | ENG. NO. | 種数 CKT. |

| | | | | | | | | | | |
|---|------------------|------------|------------|--|--|----------------------------|-------------------------------|---|------------------------|---------------------------|
| REVISED EC NO: DRAWN:MERIGUCHI CHKD:K.ASAKAWA APP:R.S.ICHIKAWA REV | 2004/07/27 | 2004/07/28 | 2004/07/30 | GENERAL TOLERANCES (UNLESS SPECIFIED) | | DIMENSION STYLE MM ONLY | | SCALE --- | DESIGN UNITS METRIC | THIRD ANGLE PROJECTION |
| | 10 UNDER | | | ±0.2 | DRAWN BY K. TOJO | | DATE '93/04/13 | TITLE 1.25 W/B CONN. WAFER ASS'Y FOR SMT. EMBOSSD TAPE PACKAGE | | |
| | 10 OVER 30 UNDER | | | ±0.25 | CHECKED BY YAMAGUCHI | | DATE '00/12/08 | APPROVED BY FUKUSHIM | | |
| | 30 OVER | | | ±0.3 | APPROVED BY FUKUSHIM | | DATE '00/12/08 | MATERIAL NO. SEE CHART | | |
| | ANGULAR | | | ±3 ° | DRAFT WHERE APPLICABLE MUST REMAIN WITHIN DIMENSIONS | | DOCUMENT NO. SD-53398-**90 | | SHEET NO. 2 OF 3 | |
| SIZE A3 | | | | THIS DRAWING CONTAINS INFORMATION THAT IS PROPRIETARY TO MOLEX INCORPORATED AND SHOULD NOT BE USED WITHOUT WRITTEN PERMISSION | | | | | | |

10 9 8 7 6 5 4 3 2 1

F

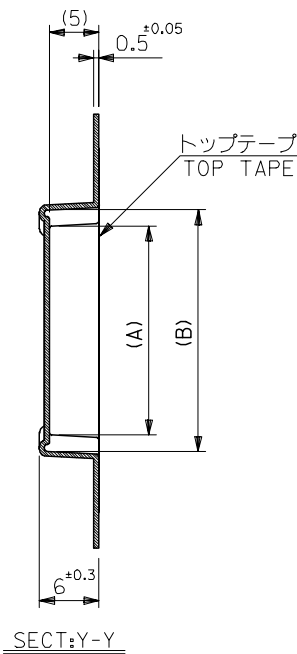
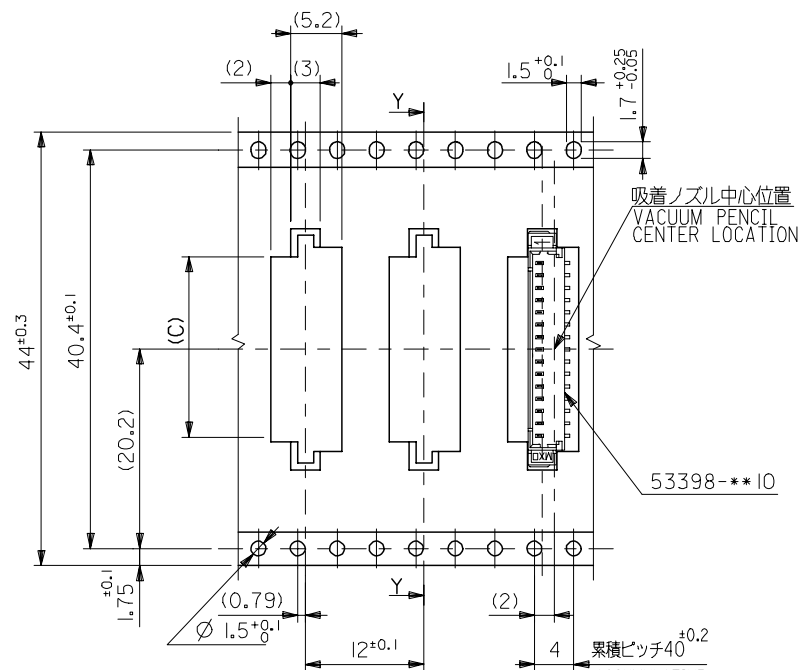
E

D

C

B

A



引き出し方向
PULL OUT DIRECTION

44幅テープ
(TAPE WIDTH:44)

| | | | | | | |
|--------------------------------|------|-------|-------|-------|------------|------------|
| 44 | 45.4 | 18.7 | 24.5 | 20.8 | 53398-I590 | I5 |
| キャリアテープ幅 CARRIER TAPE WIDTH | D | (C) | (B) | (A) | ENG. NO. | 種数 CKT. |
| | | 17.45 | 23.25 | 19.55 | 53398-I490 | I4 |

| | | | | | | | |
|---|---------------------------------------|---|----------------------------|--|-------------------------------|------------------------|------------------------|
| REVISED EC NO: DRAWN:MERIGUCHI 2004/07/27 CHK:K.ASAKAWA 2004/07/28 APPR:S.ICHIKAWA 2004/07/30 | GENERAL TOLERANCES (UNLESS SPECIFIED) | | DIMENSION STYLE MM ONLY | | SCALE --- | DESIGN UNITS METRIC | THIRD ANGLE PROJECTION |
| | 10 UNDER | ±0.2 | DRAWN BY K. TOJO | | DATE '93/04/13 | | |
| | 10 OVER 30 UNDER | ±0.25 | CHECKED BY YAMAGUCHI | | DATE '00/12/08 | | |
| | 30 OVER | ±0.3 | APPROVED BY FUKUSHIM | | DATE '00/12/08 | | |
| | ANGULAR | ±3 ° | MATERIAL NO. SEE CHART | | DOCUMENT NO. SD-53398-**90 | | SHEET NO. 3 OF 3 |
| DRAFT WHERE APPLICABLE MUST REMAIN WITHIN DIMENSIONS | | TITLE 1.25 W/B CONN. WAFER ASS'Y FOR SMT. EMBOSSED TAPE PACKAGE MOLEX INCORPORATED THIS DRAWING CONTAINS INFORMATION THAT IS PROPRIETARY TO MOLEX INCORPORATED AND SHOULD NOT BE USED WITHOUT WRITTEN PERMISSION | | | | | |