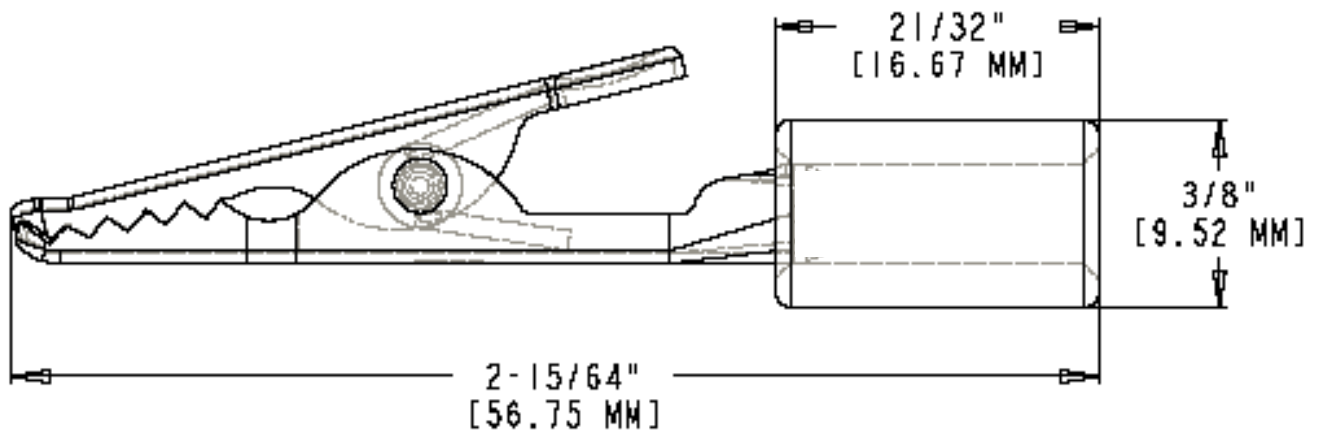
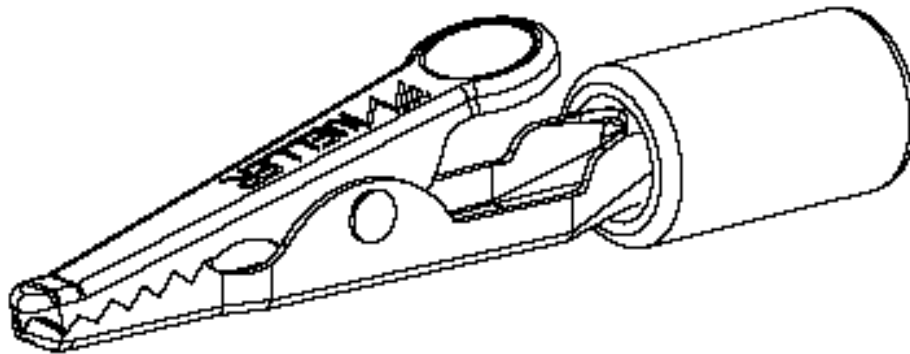




**Part Number:** BU-60H-\*

**Description:** Alligator Clip with Acetate Handle

3707



- Same as BU-60 and includes an acetate insulated handle
- Jaw opens 0.31" (7.9 mm) max
- Length: 2.23" (56.75 mm)
- \*Std.Colors: -0 Black, -2 Red, -4 Yellow, -5 Green, -6 Blue, -9 White
- Rating: 10 Amps
- RoHS Compliant

**Mueller Electric Company**  
1625 E. 31<sup>st</sup> Street  
Cleveland, Ohio 44114

ISO 9001:2000  
Over 95 Years Of Innovation  
[www.muellerelectric.com](http://www.muellerelectric.com)

TEL. 800-955-2629  
TEL. 216-771-5225  
FAX. 216-771-3068