

Fixed Length Cable Assemblies

INCHES (MILLIMETERS)
CUSTOMER DRAWINGS AVAILABLE UPON REQUEST

BNC STRAIGHT PLUG TO BNC STRAIGHT PLUG



With Boot

PART NUMBER	CABLE TYPE	CABLE LENGTH	CONNECTOR A	CONNECTOR B
415-0054-012	RG-58	12"	CPMC-88-1	CPMC-88-1
415-0054-024	RG-58	24"	CPMC-88-1	CPMC-88-1
415-0054-036	RG-58	36"	CPMC-88-1	CPMC-88-1
415-0054-048	RG-58	48"	CPMC-88-1	CPMC-88-1
415-0054-060	RG-58	60"	CPMC-88-1	CPMC-88-1
415-0055-012	RG-59 TFE	12"	CPMC-88-10	CPMC-88-10
415-0055-024	RG-59 TFE	24"	CPMC-88-10	CPMC-88-10
415-0055-036	RG-59 TFE	36"	CPMC-88-10	CPMC-88-10
415-0055-048	RG-59 TFE	48"	CPMC-88-10	CPMC-88-10
415-0055-060	RG-59 TFE	60"	CPMC-88-10	CPMC-88-10
415-0057-012	RG-59	12"	CPMC-88-2	CPMC-88-2
415-0057-024	RG-59	24"	CPMC-88-2	CPMC-88-2
415-0057-036	RG-59	36"	CPMC-88-2	CPMC-88-2
415-0057-048	RG-59	48"	CPMC-88-2	CPMC-88-2
415-0057-060	RG-59	60"	CPMC-88-2	CPMC-88-2

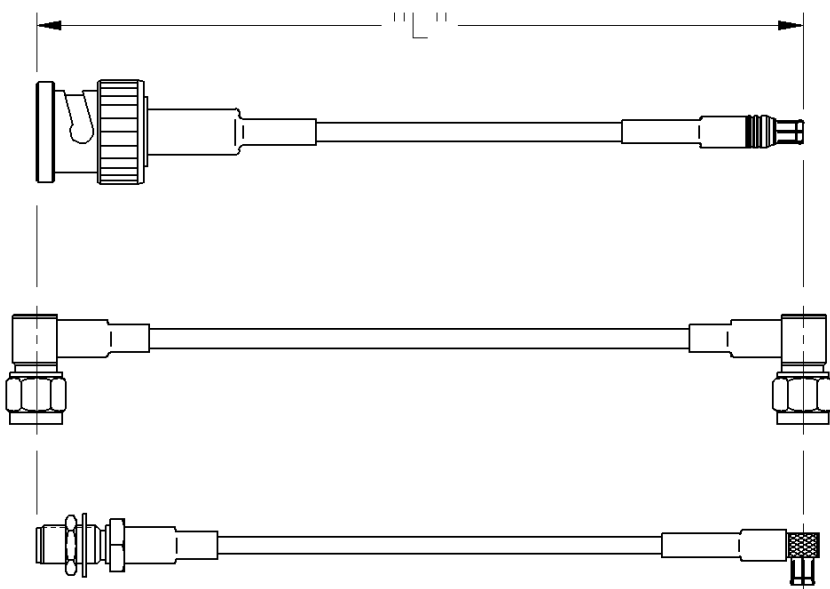
With Heat Shrink

PART NUMBER	CABLE TYPE	CABLE LENGTH	CONNECTOR A	CONNECTOR B
415-0056-012	Belden 8218	12"	CPMC-88-18	CPMC-88-18
415-0056-024	Belden 8218	24"	CPMC-88-18	CPMC-88-18
415-0056-036	Belden 8218	36"	CPMC-88-18	CPMC-88-18
415-0056-048	Belden 8218	48"	CPMC-88-18	CPMC-88-18
415-0056-060	Belden 8218	60"	CPMC-88-18	CPMC-88-18

Electrical Ratings

Electrical ratings of a cable assembly are determined by the limiting connector type and cable size.

Connector	Cable	Connector Impedance (Ohms)	Frequency (GHz)	Dielectric Withstanding Voltage (Vrms)	Working Voltage (Vrms)
BNC	RG-58	50	4	1500 Vrms	500 Vrms
	BELDEN 8218	50	4	1500 Vrms	500 Vrms
	RG-59	50	4	1500 Vrms	500 Vrms
	RG-59 PLENUM	50	4	1500 Vrms	500 Vrms



Johnson Components' cable length applies to the end of straight connectors. The length is applied to the vertical centroid of right angle connectors.

The last three digits of the part number reflect the length of the cable in inches.