

PLEASE CHECK WWW.MOLEX.COM FOR LATEST PART INFORMATION

Part Number: [0534080679](#)
Status: **Active**
Description: 1.00mm (.039") Pitch Plug, Surface Mount, Dual Row, Vertical Stacking, 18.00mm (.709") Stack Height, Lead-free, 60 Circuits

Documents:

[3D Model](#) [Product Specification PS-52584-003 \(PDF\)](#)
[Drawing \(PDF\)](#) [RoHS Certificate of Compliance \(PDF\)](#)

General

Product Family PCB Headers
 Series [53408](#)
 Application Board-to-Board
 Product Name N/A

Physical

Breakaway No
 Circuits (Loaded) 60
 Circuits (maximum) 60
 Color - Resin Natural
 Durability (mating cycles max) 50
 First Mate / Last Break No
 Glow-Wire Compliant No
 Guide to Mating Part No
 Keying to Mating Part None
 Lock to Mating Part None
 Mated Height (in) 0.709 In, 0.785 In
 Mated Height (mm) 18.00 mm, 19.94 mm
 Material - Metal Phosphor Bronze
 Material - Plating Mating Gold
 Material - Plating Termination Tin
 Material - Resin High Temperature Thermoplastic
 Number of Rows 2
 Orientation Vertical
 PCB Locator Yes
 PCB Retention Yes
 PCB Thickness Recommended (in) 0.040 In
 PCB Thickness Recommended (mm) 1.00 mm
 Packaging Type Tube
 Pitch - Mating Interface (in) 0.039 In
 Pitch - Mating Interface (mm) 1.00 mm
 Plating min: Mating (µin) 10
 Plating min: Mating (µm) 0.25
 Plating min: Termination (µin) 40
 Plating min: Termination (µm) 1
 Polarized to PCB No
 Shrouded Fully
 Stackable No
 Temperature Range - Operating -55°C to +85°C
 Termination Interface: Style Surface Mount

Electrical

Current - Maximum per Contact 0.5A
 Voltage - Maximum 100V

Material Info

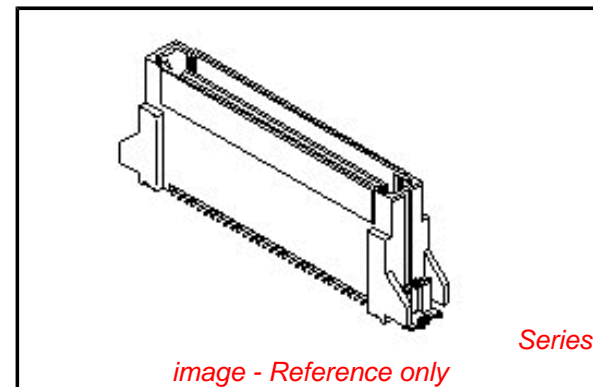


image - Reference only

EU RoHS

**ELV and RoHS
 Compliant**
**REACH SVHC
 Contains SVHC: No**
**Halogen-Free
 Status
 Not Reviewed**

China RoHS



**Need more information on product
 environmental compliance?**

Email productcompliance@molex.com
 For a multiple part number RoHS Certificate of
 Compliance, [click here](#)

Please visit the [Contact Us](#) section for any
 non-product compliance questions.

Search Parts in this Series

[53408Series](#)

Mates With

PCB Receptacle [52584](#) , [52602](#)

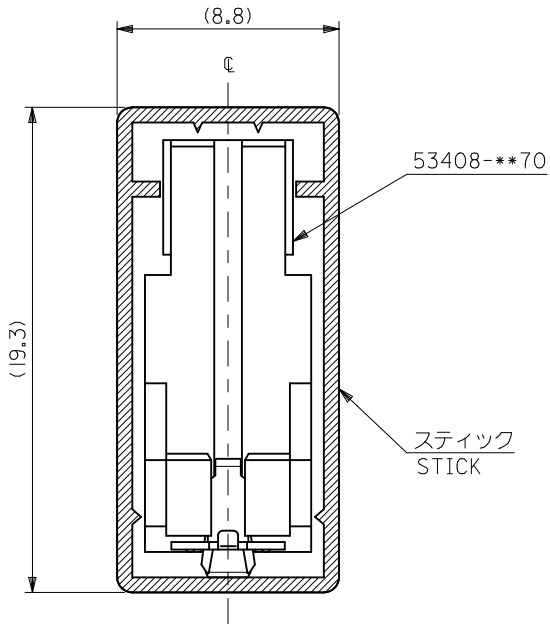
Reference - Drawing Numbers

Product Specification
Sales Drawing

PS-52584-003, RPS-500017-002, RPS-52584-010
SD-53408-007, SD-53408-008

This document was generated on 04/19/2010

PLEASE CHECK WWW.MOLEX.COM FOR LATEST PART INFORMATION



注記
NOTES

1. スティック両端はキャップ止め。
BOTH ENDS WITH CAPS.
2. 全 長 : 600 ± 2
TOTAL LENGTH
3. 肉 厚 : 0.6 ± 0.2
THICKNESS
4. 本製品は 53408-***9 の鉛フリー品である。
THIS PRODUCT IS LEAD FREE OF 53408-***9.

6	53408-1479	140
7	53408-1279	120
8	53408-1079	100
10	53408-0879	80
13	53408-0679	60
14	53408-0579	50
21	53408-2479	24

MATERIAL

スティック : ポリ塩化ビニル
STICK : P.V.C.

REVISED EC NO: J2010-1426 DRWRTS:RUOKA 2010/01/25 CHKD:THARUYAMA 2010/01/27 APPR:HIRATA 2010/01/27	DESCRIPTION	GENERAL TOLERANCES (UNLESS SPECIFIED)	53408-**79	MODEL NO.	梱包数 QUANTITY	MATERIAL No.	種数 NO. OF CKTS.
	REV	10 UNDER ± --- 10 OVER 30 UNDER ± --- 30 OVER ± --- ANGULAR ± --- ° DRAFT WHERE APPLICABLE MUST REMAIN WITHIN DIMENSIONS	DIMENSION STYLE MM ONLY	SCALE ---	DESIGN UNITS METRIC	THIRD ANGLE PROJECTION	
	A		DRAWN BY MNINOMIYA	DATE '04/03/11	TITLE	53408-**70 STICK PACKAGING -LEAD FREE-	
			CHECKED BY KTOJO	DATE '04/03/11	APPROVED BY MSASAO	DATE '04/03/11	MOLEX INCORPORATED
			MATERIAL NO.	SEE TABLE	DOCUMENT NO.	SD-53408-008	SHEET NO. 1 OF 1
			SIZE A3	THIS DRAWING CONTAINS INFORMATION THAT IS PROPRIETARY TO MOLEX INCORPORATED AND SHOULD NOT BE USED WITHOUT WRITTEN PERMISSION			