

ITB 02T-XX Receptacle Connector Cap with Stainless Steel Chain



ITB 02T-18 F2

MIL-C-5015 Bayonet
Compatible Accessory

Basic Part Number
and Connector Size Designator
(Table I)

Finish Options (Table II)

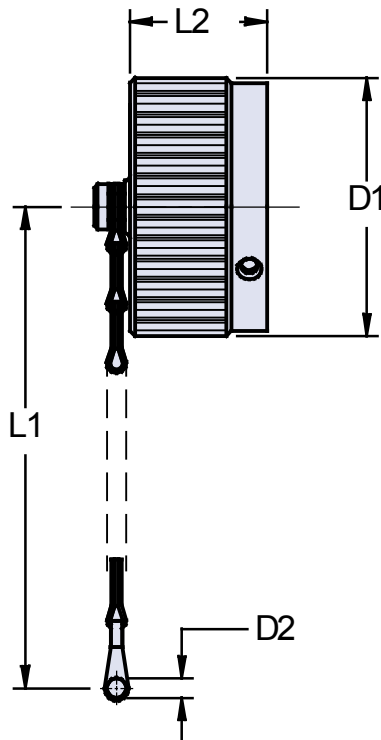


TABLE I: PART NUMBER AND CONNECTOR SIZE DESIGNATOR

Part Number	D1 Max.	D2 +0.6 -0	L1 min.	L2 Max.
ITB 02T - 18	37.5	4.3	100	21.2
ITB 02T - 20	41.0	4.3	115	21.2
ITB 02T - 22	44.0	4.3	115	21.2
ITB 02T - 24	47.5	4.3	115	21.2
ITB 02T - 28	54.5	5.5	160	21.2
ITB 02T - 32	61.0	5.5	160	21.2
ITB 02T - 36	67.5	5.5	160	21.2
ITB 02T - 40	72.3	5.5	160	21.2

TABLE II: MODIFICATION CODES

FINISH OPTIONS	
Sym	Description
F2	Bright Nickel Plating
F6	Black Electrodeposited Paint
F8	Olive Drab Zn-Co Plating
Omit for standard version (See Note 2)	

Metal cap with stainless steel chain.

Application Notes:

1. Metal protective cover for bayonet plug connectors with stainless steel chain.
2. Standard materials configuration consists of aluminum alloy with cadmium free conductive finish and black passivation.
3. Other types of front and rear connector accessories are available.
See our website and/or contact the factory for complete information.

