

THE INFORMATION CONTAINED HEREIN IS CONSIDERED "PROPRIETARY" TO BEL FUSE INC. AND SHALL NOT BE COPIED, REPRODUCED OR DISCLOSED WITHOUT THE WRITTEN APPROVAL OF BEL FUSE INC.

LED1 POLARITY			LED2 POLARITY		
PIN 21	PIN 22	COLOR	PIN 19	PIN 20	COLOR
+	-	YELLOW	-	+	GREEN
-	+	GREEN			

PRELIMINARY

ELECTRICAL CHARACTERISTICS @ 25°C

URNS RATIO

TP1	1CT : 1CT ±1%
TP2	1CT : 1CT ±1%
TP3	1CT : 1CT ±1%
TP4	1CT : 1CT ±1%

QCL @ 100kHz/100mVRMS

8mA DC BIAS 350 uH MIN.

INS. LOSS

100KHz TO 100MHz -1.1 dB MAX

RET. LOSS (MIN)

1MHz-40MHz -18 dB
40MHz-100MHz -12+20LOG<F/80MHz>] dB

CM TO CM REJ

100kHz - 100MHz -30 dB MIN

CROSSTALK (TX - RX)

1MHz - 100MHz -32 dB MIN

HIPOT (Isolation Voltage): 1500 Vrms or 2250 VDC

100% OF PRODUCT TESTED IN PRODUCTION TO COMPLY WITH IEEE 802.3 REQUIREMENTS

LED 1

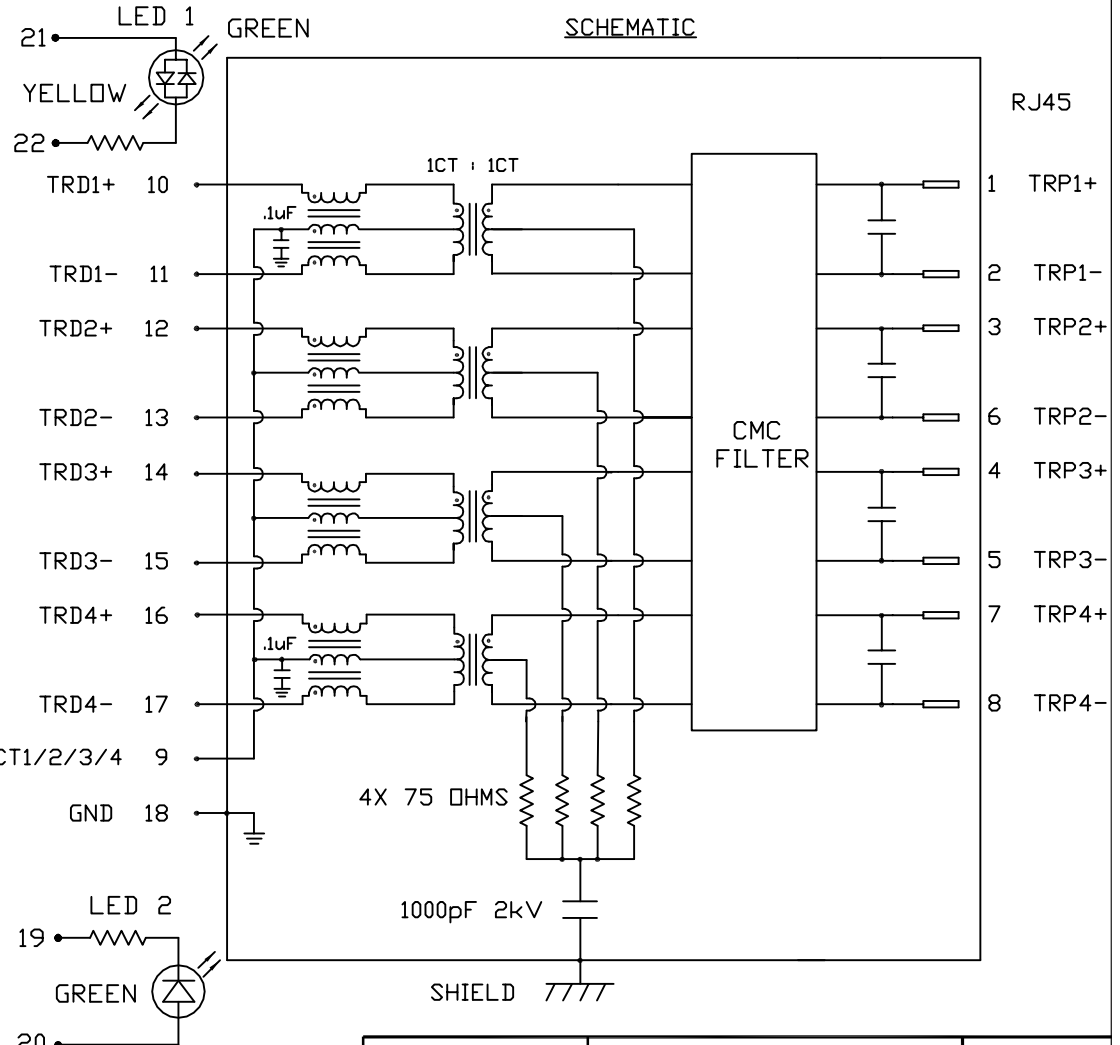
VF (FORWARD VOLTAGE)	IF=20mA	GREEN	2.2V TYP.
		YELLOW	2.1V TYP.
λD (DOMINANT WAVELENGTH)	IF=20mA	GREEN	565nm TYP.
		YELLOW	590nm TYP.

LED 2

VF (FORWARD VOLTAGE)	IF=20mA	GREEN	2.2V TYP.
λD (DOMINANT WAVELENGTH)	IF=20mA	GREEN	565nm TYP.

USB ELECTRICAL:

INSULATION RESISTANCE: 1000 MEG Ω (MIN)
CONTACT RESISTANCE: 25 MILLI Ω (MAX)
DIELECTRIC WITHSTANDING: 750 VAC



DRWN	DATE	TITLE
DB	10-1-04	gigabit MagJack™ Combo (Staggered pin, 8 core)
CHKD	JH	

PART NO. / DRAWING NO.
C893-1RX1-K3
FILE NAME
C8931RX1K3PB.DWG

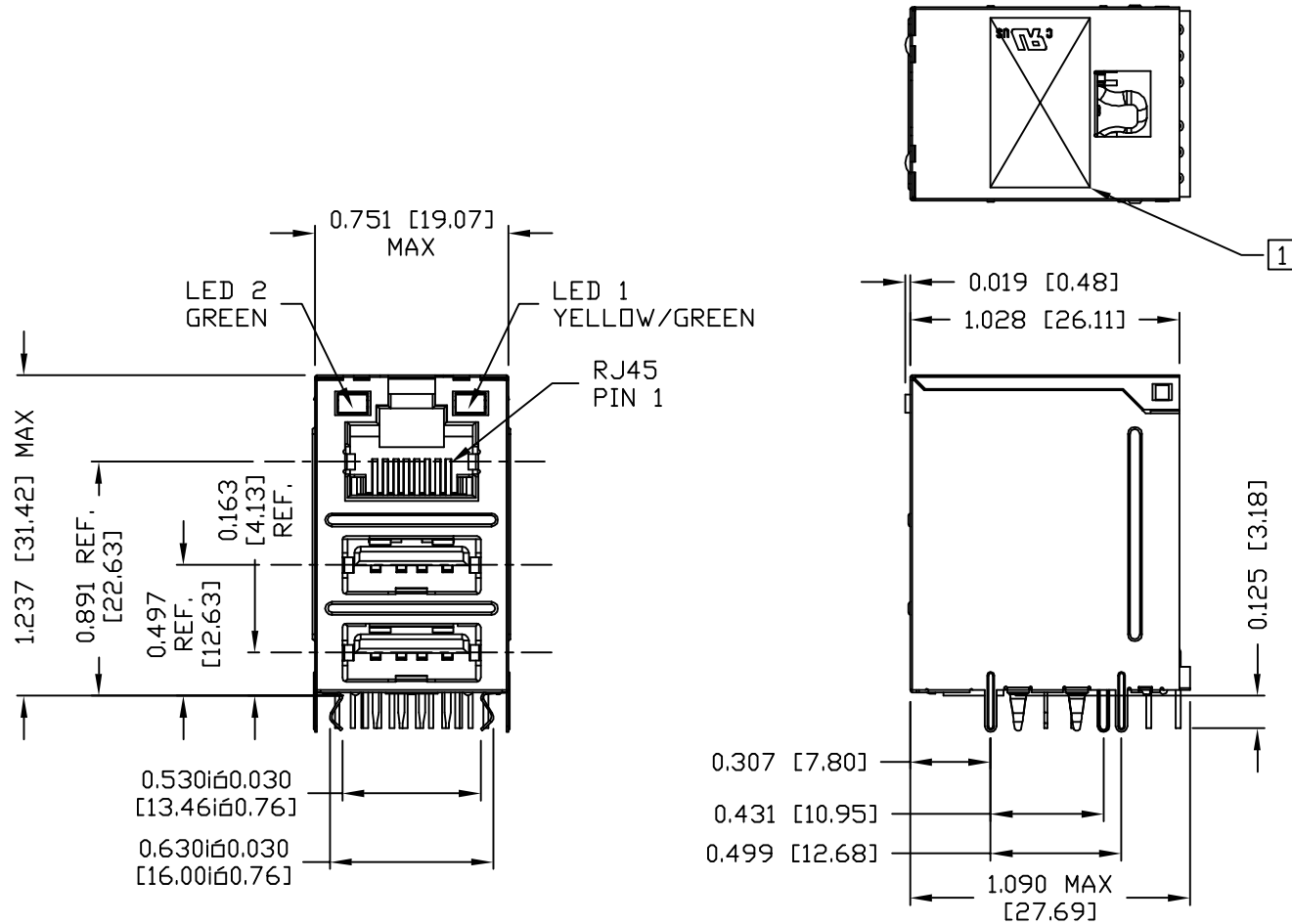
STANDARD DIM.	[] METRIC DIM. AS REFERENCE
TOL. IN INCH	UNIT : INCH [mm]
.X	SCALE : N/A
.XX	SIZE : A4
.XXX	PAGE : 2



THE INFORMATION CONTAINED HEREIN IS CONSIDERED "PROPRIETARY" TO BEL FUSE INC. AND SHALL NOT BE COPIED, REPRODUCED OR DISCLOSED WITHOUT THE WRITTEN APPROVAL OF BEL FUSE INC.


PRELIMINARY

MECHANICAL SPECIFICATION



DRWN DB	DATE 10-1-04	TITLE gigabit MagJack™ Combo (Staggered pin, 8 core)
CHKD JH	DATE 10-1-04	

PART NO. / DRAWING NO. C893-1RX1-K3
FILE NAME C8931RX1K3PB.DWG

STANDARD DIM.	TOL. IN INCH	[] METRIC DIM. AS REFERENCE
.X		UNIT : INCH [mm]
.XX		SCALE : N/A
.XXX	±0.010	

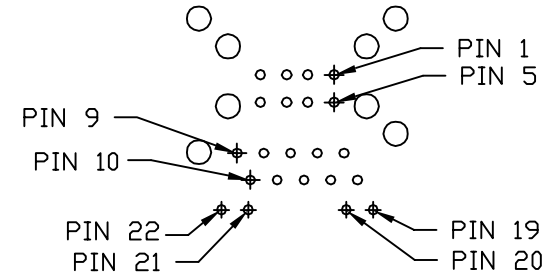
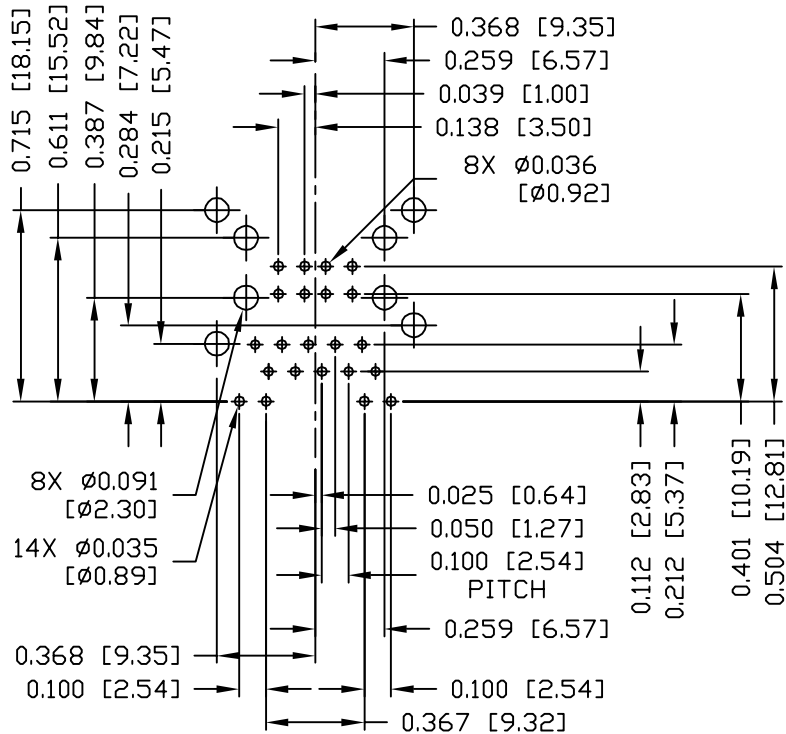
REV. : PB	SIZE : A4
PAGE : 3	



THE INFORMATION CONTAINED HEREIN IS CONSIDERED "PROPRIETARY" TO BEL FUSE INC. AND SHALL NOT BE COPIED, REPRODUCED OR DISCLOSED WITHOUT THE WRITTEN APPROVAL OF BEL FUSE INC.

PRELIMINARY

Recommended PCB footprint
Component Side




RJ45 MECHANICAL:

PLASTIC HOUSING: THERMOPLASTIC PBT
 FLAMMABILITY RATING UL 94V-0
 CONTACTS PLATING: 50 MICRO-INCH HARD GOLD PLATING
 PINS: TIN-COATED CP WIRE, DIA 0.018 INCH.
 METAL SHIELD: TIN PLATED ON COPPER ALLOY,


USB MECHANICAL:

MATING FORCE: 35 NEWTONS MAXIMUM
 UNMATING FORCE: 10 NEWTONS MINIMUM
 CONTACTS PLATING: PROSPER BRONZE, GOLD PLATING ON CONTACT AREA AND TIN ON SOLDER TAIL.

 us UL RECOGNIZED - FILE #E196366 AND E169987.

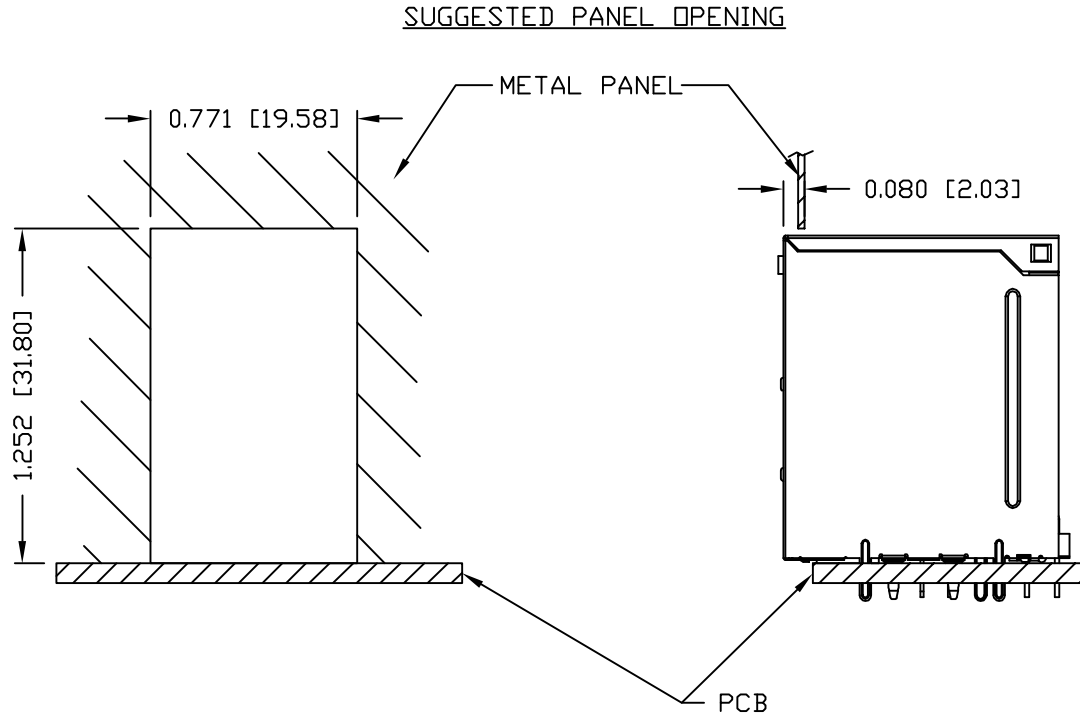
RoHS COMPLIANCE, PER EU DIRECTIVE 2002/95/EC.

[1] MARK PART WITH MFG LOGO, MFG NAME, PART NUMBER, AND DATE CODE.

DRWN	DATE	TITLE	PART NO. / DRAWING NO.	STANDARD DIM. TOL. IN INCH	[] METRIC DIM. AS REFERENCE	REV. : PB	 COMPONENTS FOR A CONNECTED PLANET™
DB	10-1-04	gigabit MagJack™ Combo (Staggered pin, 8 core)	C893-1RX1-K3	.X	UNIT : INCH [mm]	SCALE : N/A	
CHKD	DATE			FILE NAME	.XX	SCALE : N/A	
JH	10-1-04		C8931RX1K3PB.DWG	.XXX	±0.010	PAGE : 4	

THE INFORMATION CONTAINED HEREIN IS CONSIDERED "PROPRIETARY" TO BEL FUSE INC. AND SHALL NOT BE COPIED, REPRODUCED OR DISCLOSED WITHOUT THE WRITTEN APPROVAL OF BEL FUSE INC.

PRELIMINARY



NOTE:

THE DISTANCE OF PANEL INSIDE SURFACE RELATIVE TO FRONT SURFACE OF PART IS ONLY A SUGGESTION. IN CASE THIS DISTANCE IS DIFFERENT, THE REQUIRED PANEL OPENING DIMENSIONS CHANGE ACCORDINGLY.

PACKING INFORMATION

PACKING TRAY : 0200-9999-H3 (TOP)
0200-9999-H4 (BOTTOM)

PACKING QUANTITY : 35 PCS FINISHED GOODS PER TRAY
10 TRAY (350 PCS FINISHED GOODS) PER CARTON BOX

NOTE : CARDBOARDS ARE PLACED BETWEEN LAYERS OF PACKING TRAY INSIDE CARTON BOX
(INCLUDE THE UPPERMOST AND LOWERMOST TRAY)

DRWN	DATE	TITLE	PART NO. / DRAWING NO.	STANDARD DIM. TOL. IN INCH		[] METRIC DIM. AS REFERENCE		REV. : PB	bel
				.X	.XX	.XXX	±0.005		
DB	10-1-04	gigabit MagJack™ Combo (Staggered pin, 8 core)	C893-1RX1-K3						COMPONENTS FOR A CONNECTED PLANET™
CHKD	10-1-04			FILE NAME					
JH			C8931RX1K3PB.DWG						