

**PLEASE CHECK WWW.MOLEX.COM FOR LATEST PART INFORMATION**

**Part Number:** [0685120211](#)  
**Status:** **Active**  
**Description:** 1.52mm (.060") Pitch, Female Housing Assembly, 2 Circuits

**Documents:**

[Drawing \(PDF\)](#) [Product Specification PS-68512-001 \(PDF\)](#)  
[Packaging Specification \(PDF\)](#) [RoHS Certificate of Compliance \(PDF\)](#)

**General**

Product Family Crimp Housings  
 Series [68512](#)  
 Product Name N/A

**Physical**

Circuits (maximum) 2  
 Color - Resin Black  
 Gender Female  
 Glow-Wire Compliant No  
 Keying to Mating Part N/A  
 Lock to Mating Part None  
 Material - Resin Polyester  
 Number of Rows 1  
 Packaging Type Bag  
 Panel Mount No  
 Pitch - Mating Interface (in) 0.157 In  
 Pitch - Mating Interface (mm) 4.00 mm  
 Pitch - Term. Interface (in) 0.157 In  
 Pitch - Term. Interface (mm) 4.00 mm  
 Polarized to Mating Part Yes  
 Ports 1  
 Stackable No  
 Temperature Range - Operating -40°C to +80°C

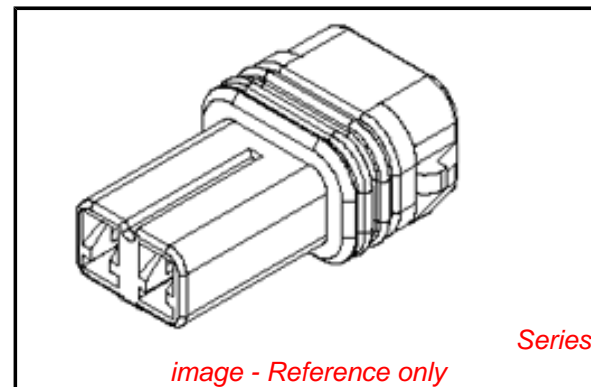
**Electrical**

Current - Maximum per Contact 6A

**Material Info**

**Reference - Drawing Numbers**

Product Specification PS-68512-001  
 Sales Drawing SD-68512-002



**EU RoHS**

**ELV and RoHS  
 Compliant**  
**REACH SVHC**  
 Not Reviewed  
**Halogen-Free  
 Status**

**China RoHS**



**Need more information on product  
 environmental compliance?**

Email [productcompliance@molex.com](mailto:productcompliance@molex.com)  
 For a multiple part number RoHS Certificate of  
 Compliance, [click here](#)

Please visit the [Contact Us](#) section for any  
 non-product compliance questions.

**Search Parts in this Series**  
[68512Series](#)

DO NOT SCALE DRAWING  
DIMENSION IN METRIC



PROJECT NO. SD-68512-002  
SIMILAR ITEM  
DWG. NO. SD-68512-002

NO.	P/NAME	P/NO.	Q'TY	MATERIAL
1	FEMALE HS'G 2P	68512-0291	1	POLYESTER
2	FRONT SEAL 2P	35903-0112	1	OIL SILICONE

685120211	68512-0211
MATERIAL NO.	ENG. NO.

RELEASE TO MANUFACTURING  
EC NO. KOR2002-0132  
DRWN: H.C.RHO 02.05.20  
CHK: H.C.RHO 02.05.20  
APPR: C.W.LEE

A

QUALITY SYMBOLS  
MAJOR =   
CRITICAL = 

	GENERAL TOLERANCES: (UNLESS SPECIFIED)	
	mm	INCH
4 PLACES	±0.	±.
3 PLACES	±0.	±.
2 PLACES	±0.3	±.
1 PLACE	±0.	±.


ANGULAR: ± | °

DRAFT WHERE APPLICABLE MUST REMAIN WITHIN DIMENSIONS

SCALE 4:1  
DESIGN UNITS  mm  INCH  
DRAWN BY & DATE '01.10.23 H.C.RHO  
CHECKED BY & DATE '01.10.23 B.K.CHOI  
APPROVED BY & DATE '01.10.23 C.W.LEE  
CAD FILENAME S060H2P

DIMENSIONS:  mm  INCH  mm ONLY  
SHT REV  
REVISE ON CAD ONLY

TITLE: .060 FEMALE HOUSING ASS'Y 2P

 MOLEX INCORPORATED KOREA

MATERIAL NO. SEE NOTE  
DRAWING NO. SD-68512-002  
SHEET NO. 1 OF 1

THIS DRAWING CONTAINS INFORMATION THAT IS PROPRIETARY TO MOLEX INCORPORATED AND SHOULD NOT BE USED WITHOUT WRITTEN PERMISSION.

SIZE B

