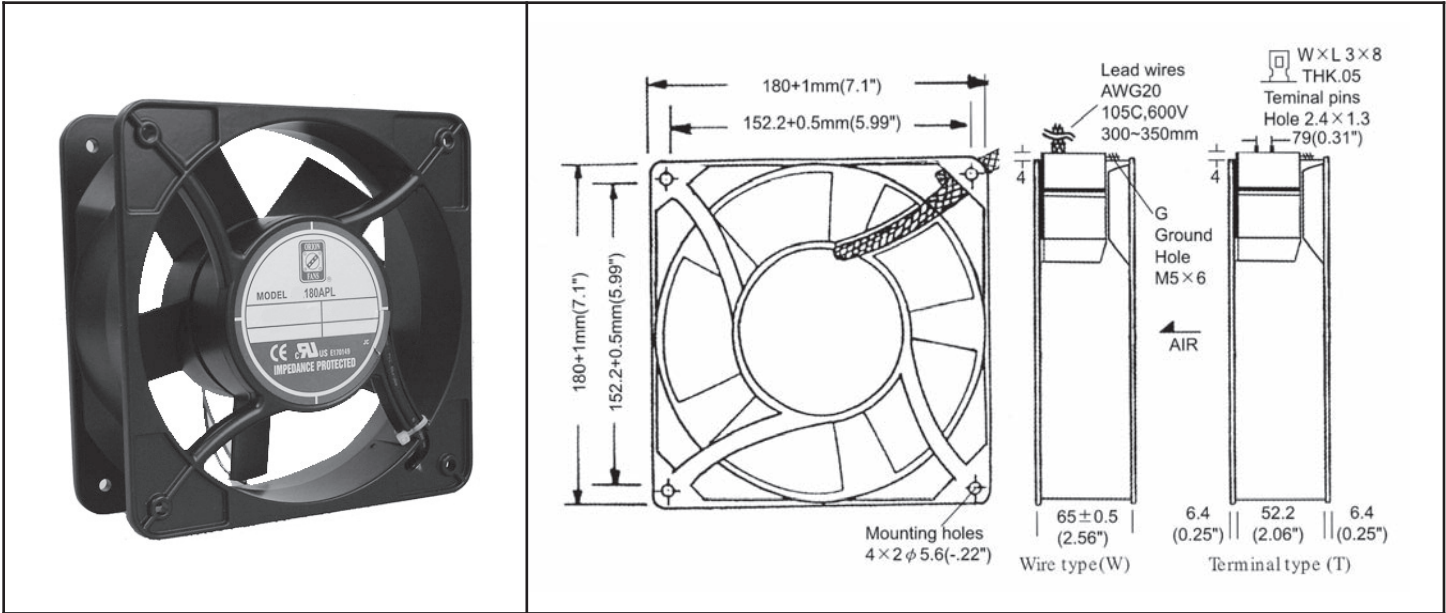


OD180APL Series

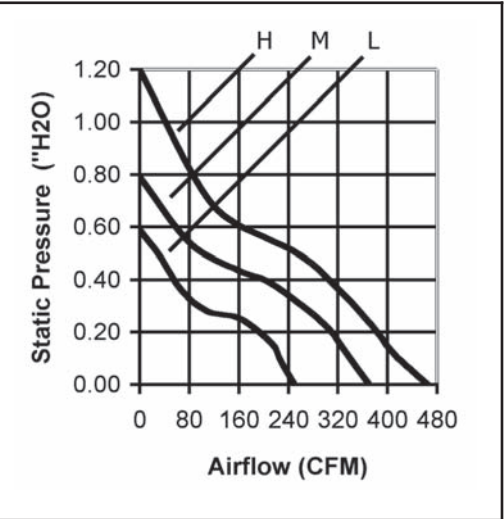


DC Fan - 12, 24, 48V
180x65mm (7.1"x 2.6")



Frame & Impeller	Diecast Aluminum (Frame) PBT, UL94V-O - (Impeller)
Connection	2x Lead wires 20AWG or terminals
Motor	Brushless DC, auto restart, rotor lock & polarity protected
Bearing System	Dual ball bearing
Insulation Resistance	10M ohm between leadwire and frame (500VDC)
Dielectric Strength	1 second at 500 VAC, max leakage - 500 MicroAmp
Temperature Range	-25C ~ +80C
Life (L10)	60,000 hours (40C)

Available Options:
Alarm (FG)
Tachometer (RD)
PWM
Thermal Control



Model Number	Speed (RPM)	Airflow (CFM)	Noise (dB)	Volts DC	Input Power (Watts)	Amps	Max. Static Pressure (\"H2O)
OD180APL-12H*B	2800	430	61	12	23	1.90	1.1
OD180APL-12M*B	2500	370	49	12	13	1.10	0.79
OD180APL-12L*B	1700	250	38	12	5.5	0.45	0.59
OD180APL-24H*B	3300	450	62	24	24	0.97	1.2
OD180APL-24M*B	2700	370	49	24	13	0.52	0.79
OD180APL-24L*B	1700	250	38	24	5	0.20	0.59
OD180APL-48H*B	3400	465	63	48	23	0.48	1.2
OD180APL-48M*B	2700	370	49	48	14	0.30	0.79
OD180APL-48L*B	1700	250	38	48	6	0.12	0.59

* Insert letter "T" to indicate terminal-type.