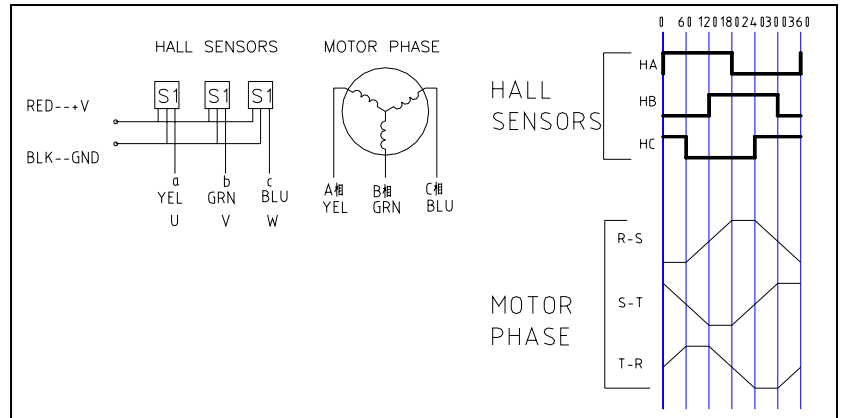


MotionKing (China) Motor Industry Co., Ltd.

# 3 Phase Hi-Torque DC Brushless Motor

## 60 series, 61x61mm Frame Size

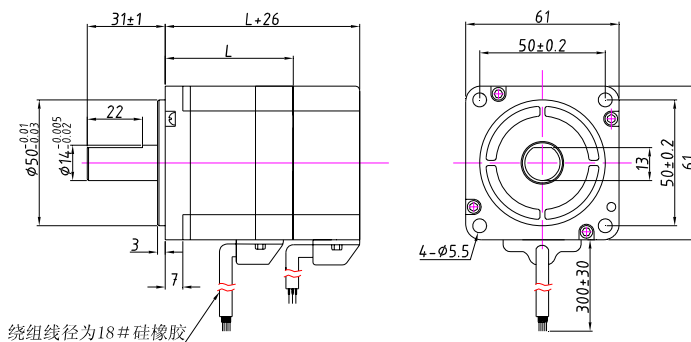


### Electrical Specifications:

Model	Rated power	Rated voltage	Current	Number of poles	Rated speed	Torque @ rated speed	Peak torque	Moment constant	Length L	Weight
	W	V DC	A		rpm	N.m	N.m	N.m/A	mm	Kg
60BLDC50A-340	78	36	2.89	8	3000	0.25	0.75	0.09	52	0.9
60BLDC70A-440	156	48	4.33	8	3000	0.5	1.5	0.12	73	1.25
60BLDC90A-640	235	310	1.16	8	3000	0.75	2.25	0.64	94	1.6

\*Note: We can also manufacture products according to customer's requirements.

### Dimensions: unit=mm



Model	Shaft Diameter D	Shaft Shape
60BLDC50A-350	φ 14	Flat 1x25
60BLDC70A-450	φ 14	Flat 1x25
60BLDC90A-650	φ 14	Flat 1x25