

IPPC-6172A

17" SXGA TFT LCD Pentium® M/Celeron® M Industrial Panel PC with 2 x PCI Slots



Features

- 17" SXGA TFT LCD with touchscreen
- Intel® Pentium® M processor up to 2.0 GHz/Celeron® M 1.5 GHz
- System memory supports dual channel DDR2 SDRAM up to 2 GB
- Offers two expansion slots for PCI add-on cards
- Dual Lan, supports one Gigabit Lan
- Front USB access and system reset function
- Flat-sealed front panel
- Control box with gull-wing design for easy installation and maintenance
- Front panel is NEMA4/IP65 compliant

Introduction

The IPPC-6172A is an Industrial Panel PC with front USB access, supports Pentium M/Celeron M processor up to 2 GHz, DDR2 memory bus support up to 2 GB, slim CD-ROM, and two expansion PCI slots. The flat-sealed front panel design also allows easier cleaning and liquid run off. Also the control box has a gull-wing design for easy components installation and maintenance.

Specifications

General

- **BIOS** Award® 512KB Flash BIOS
- **Certifications** UL, CE, FCC, CCC, BSMI
- **Enclosure** Die-cast flat-sealed front with SGCC Housing
- **Dimension (W x H x D)** 481.92 x 355.87 x 146 mm (18.97" x 14.01" x 5.75")
- **Mounting** Panel, Rack (option)
- **OS Support** Windows 2000, XP Professional
- **Power Input** 100 - 240 V_{AC} @ 50 ~ 60 Hz, 4 - 2 A
- **Power Output** +3.3 V @ 16.8 A, +5 V @ 12 A, +12 V @ 10 A, +5 Vsb @ 2 A, -12 V @ 0.8 A
- **Power Supply** 180 W, MTBF: 100,000 hrs
- **Weight (Gross)** 12 Kg (26.45 lbs)

System Hardware

- **CPU** Support Socket 478 based Intel Pentium M up to 2.0 GHz/Celeron M 1.5 GHz
- **Chipset** Intel 915GME
- **Memory** Up to 2 GB DDR2 240pin SDARM 400/533 MHz
- **LAN** 10/100Base-T Ethernet x 1, 10/100/1000Base-T Ethernet x 1
- **Expansion** 2 x half-length PCI Slots
- **Storage** 1 x SATA HDD interface (2.5" HDD bay)
- **Optical Driver** 1 x Slim Type DVD/CDRW
- **I/Os** 1 x RS-232
5 x USB 2.0 (one at front)
2 x PS2 (Keyboard, Mouse)
1 x VGA Port
1 x Parallel Port
Mic-in, Line-in, Line-out

LCD Display

- **Backlight Life** 50,000 hrs
- **Contrast Ratio** 800 : 1
- **Display Size** 17"
- **Display Type** SXGA TFT LCD
- **Luminance** 300 cd/m²
- **Max. Colors** 16.7M (RGB 6-bit + FRC data)
- **Max. Resolution** 1280 x 1024
- **Viewing Angle (H/V°)** 160/160

Touchscreen (Optional)

- **Lifespan** 10 millions times touch at single point
- **Light Transmission** > 80%
- **Type** Analog resistive 8-wire

Environment

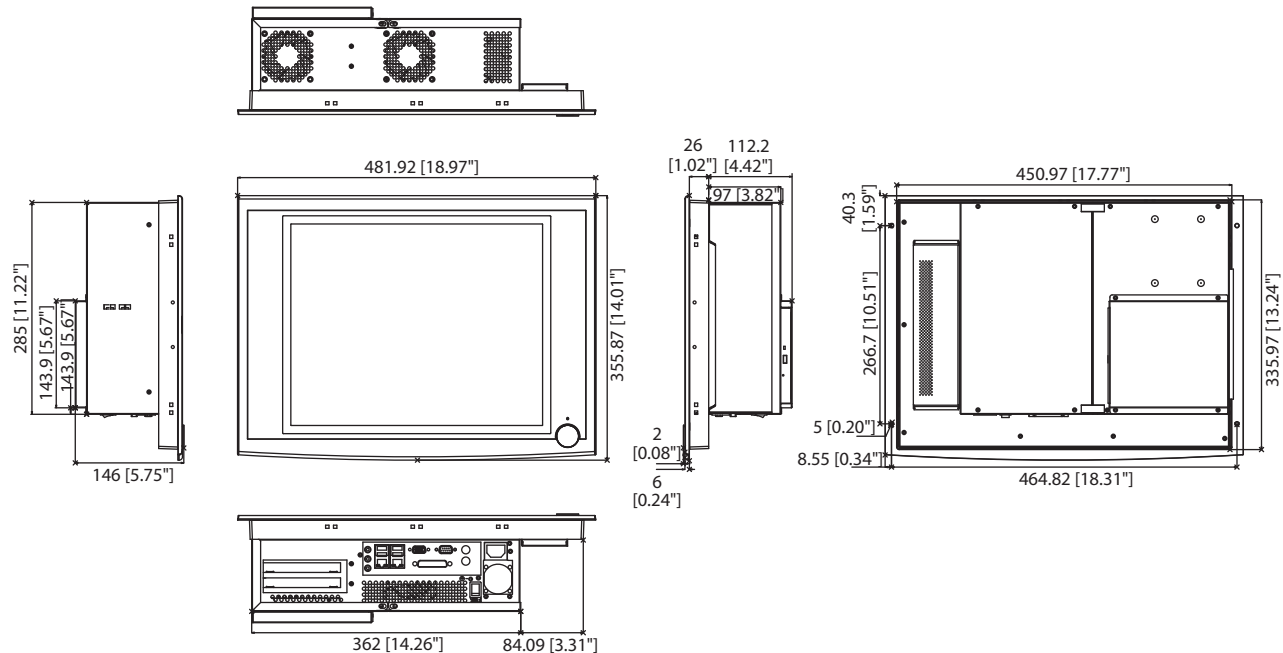
- **Humidity** 5 ~ 85% @ 40 °C (non-condensing)
- **Ingress Protection** Front panel: NEMA4/IP65
- **Operating Temperature** 0 ~ 50° C (32 ~ 122° F)
- **Storage Temperature** -20 ~ 60° C (-4 ~ 140° F)
- **Vibration Protection** 5 ~ 500 Hz, 1 Grms random vibration

Ordering Information

- **IPPC-6172A-X0AE** 17" Ind. Panel PC, Pentium M/Celeron M, 2 x PCI
- **IPPC-6172A-R0AE** 17" Ind. Panel PC, Pentium M/Celeron M, 2 x PCI, TS

Dimensions

Unit: mm

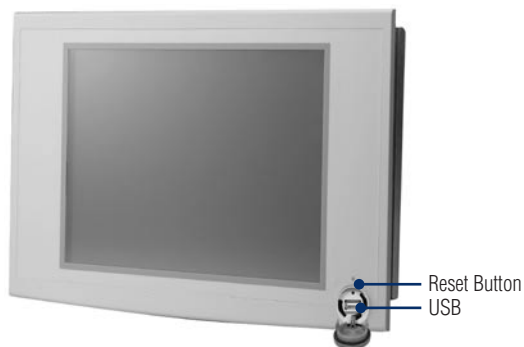


Panel Cut-out Dimensions: 457 x 342 mm

Accessories

- **IPPC-6172A-RMKE** IPPC-6172A/IPPC-6172F Rack mount Kit
- **1702002600** Power Cable US Plug 1.8 M
- **1702002605** Power Cable EU Plug 1.8 M
- **1702031801** Power Cable UK Plug 1.8 M
- **1702031836** Power Cable China/Australia Plug 1.8 M

Front Accessible USB Port



I/O View

