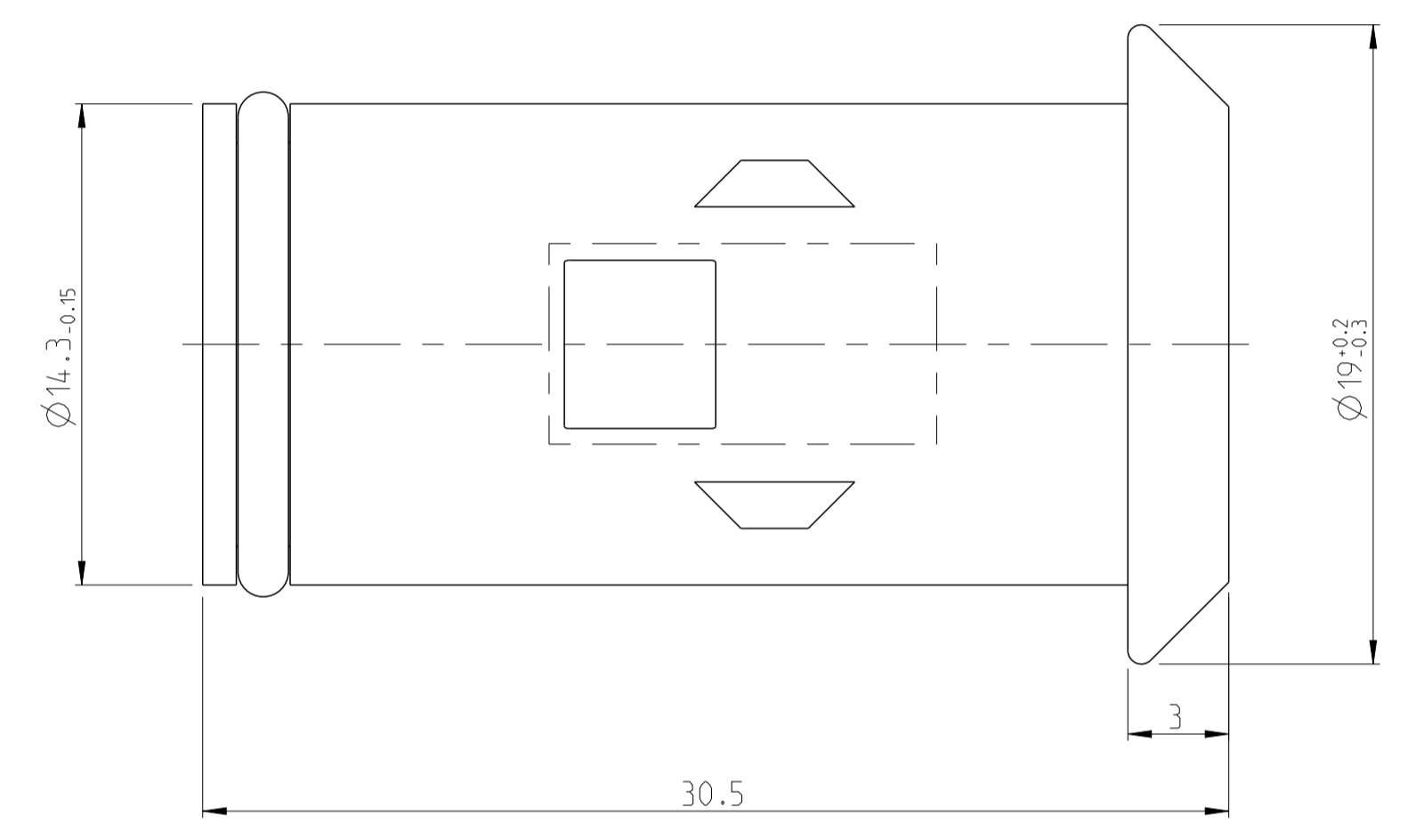
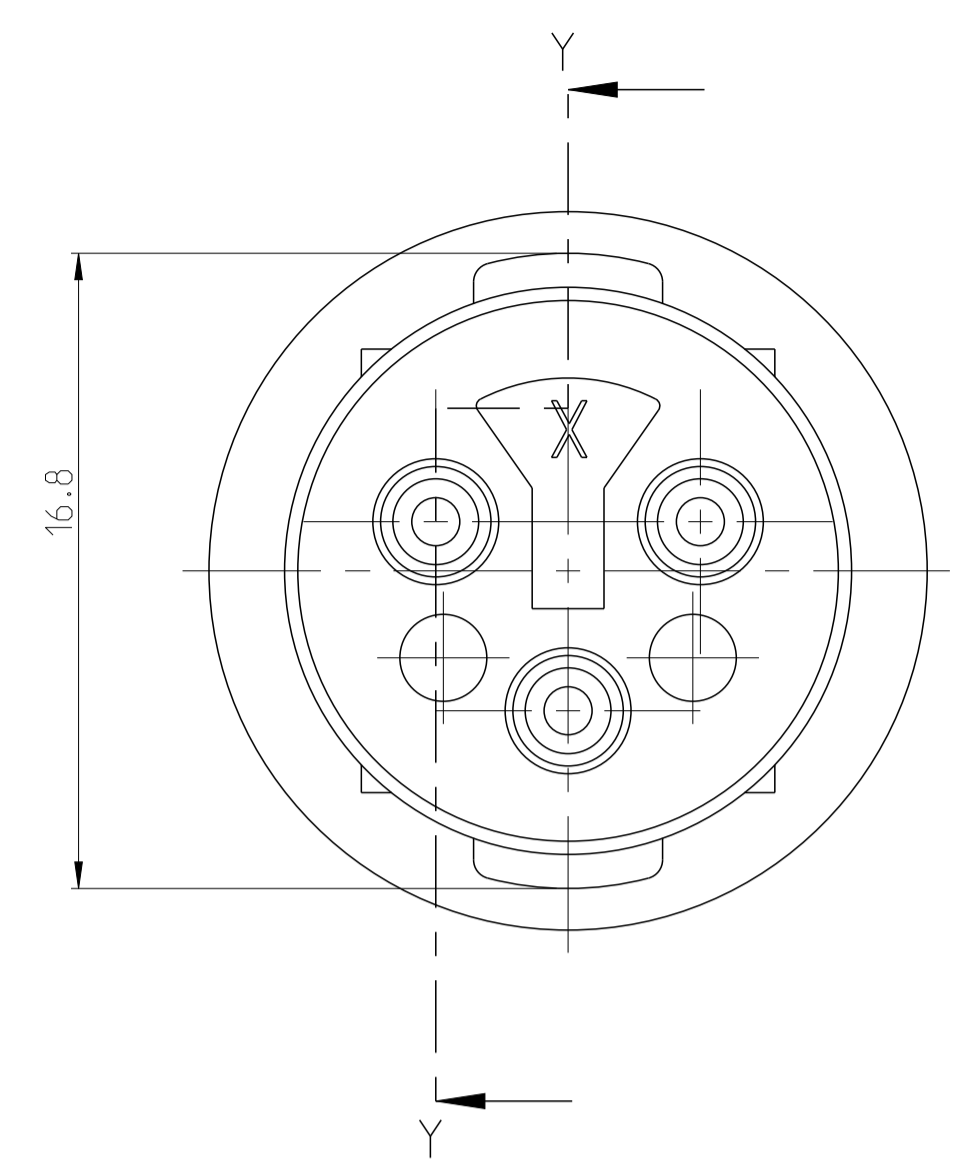
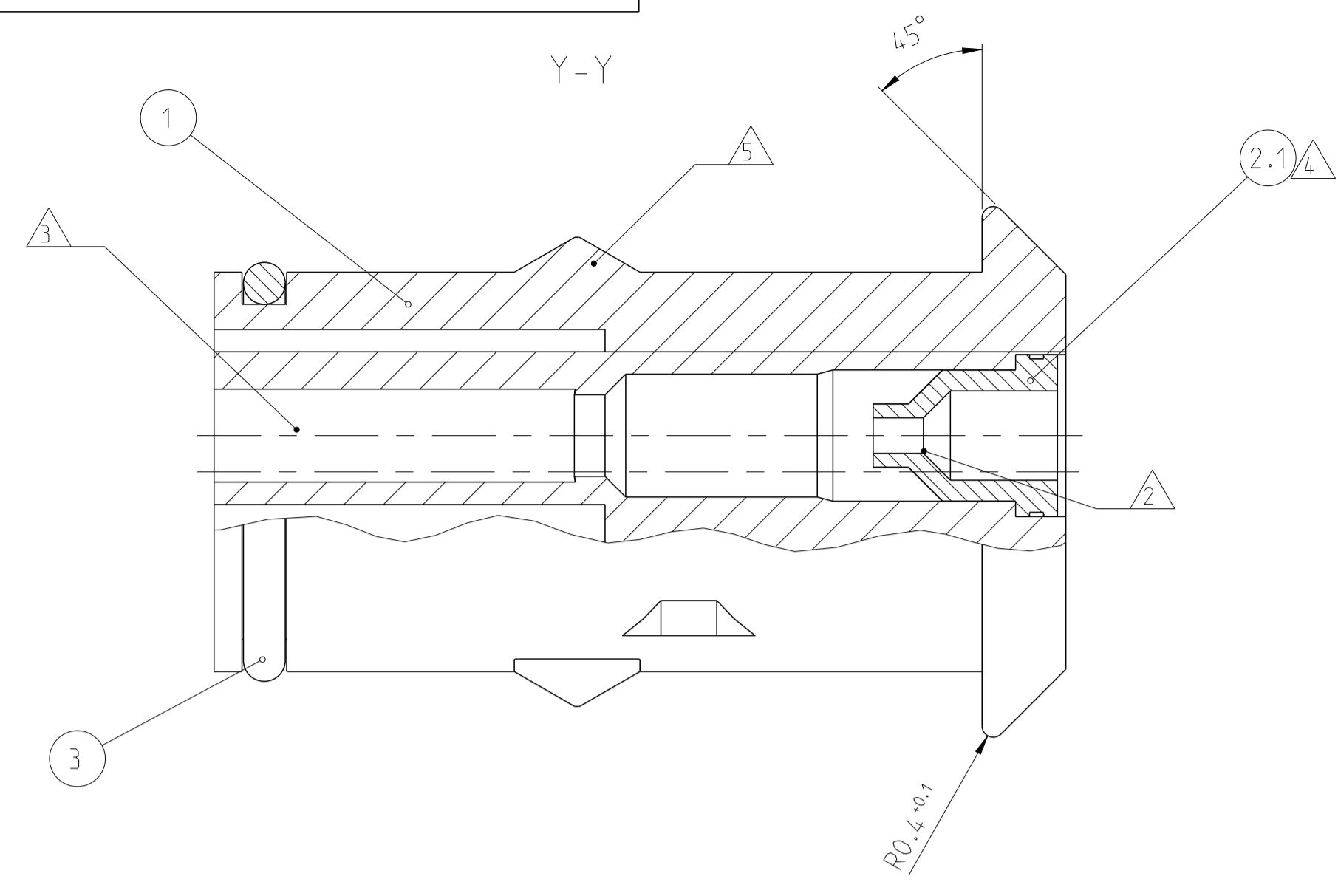


LOC		DIST		REVISIONS			
P	LTN	DESCRIPTION	DATE	DMN	APVD		
H1		SEE PCN EG00-0656-97	28MAY197	CD	AM		
H2		ECR-12-013691	02AUG2012	GB	SzG		
H3		ECR-15-002210	05MAR2015	GB	SzG		
H4		ECR-16-009474	21JUL2016	LSZ	GB		

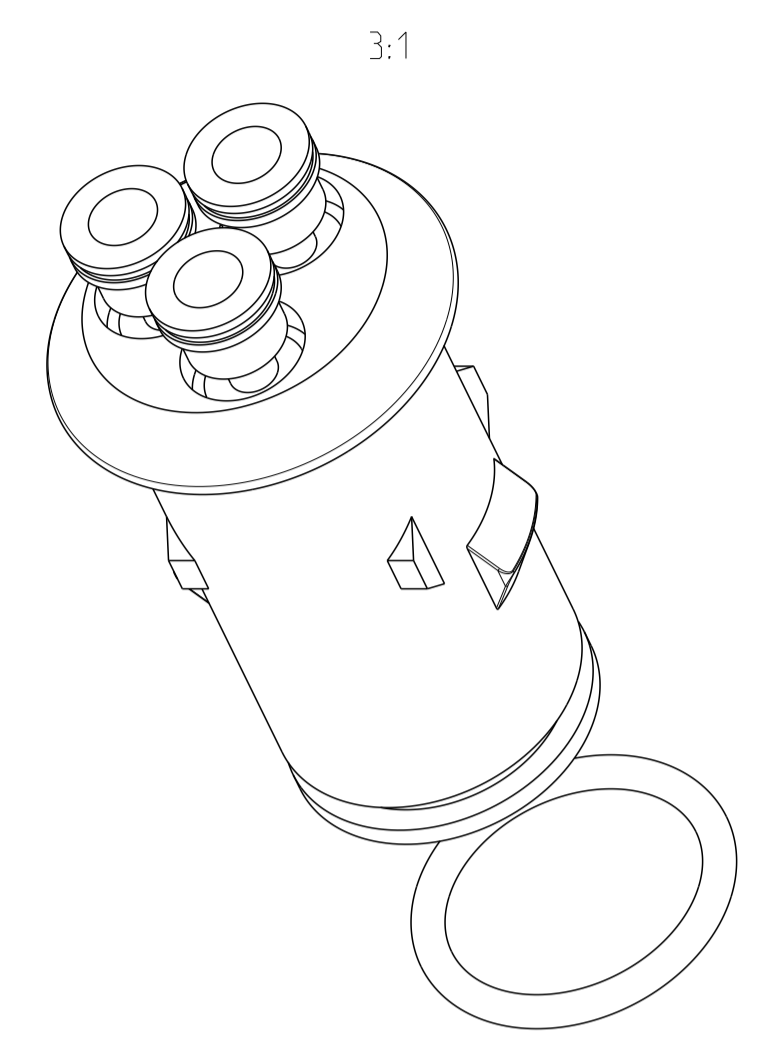
-4 wie gezeichnet
AS SHOWN



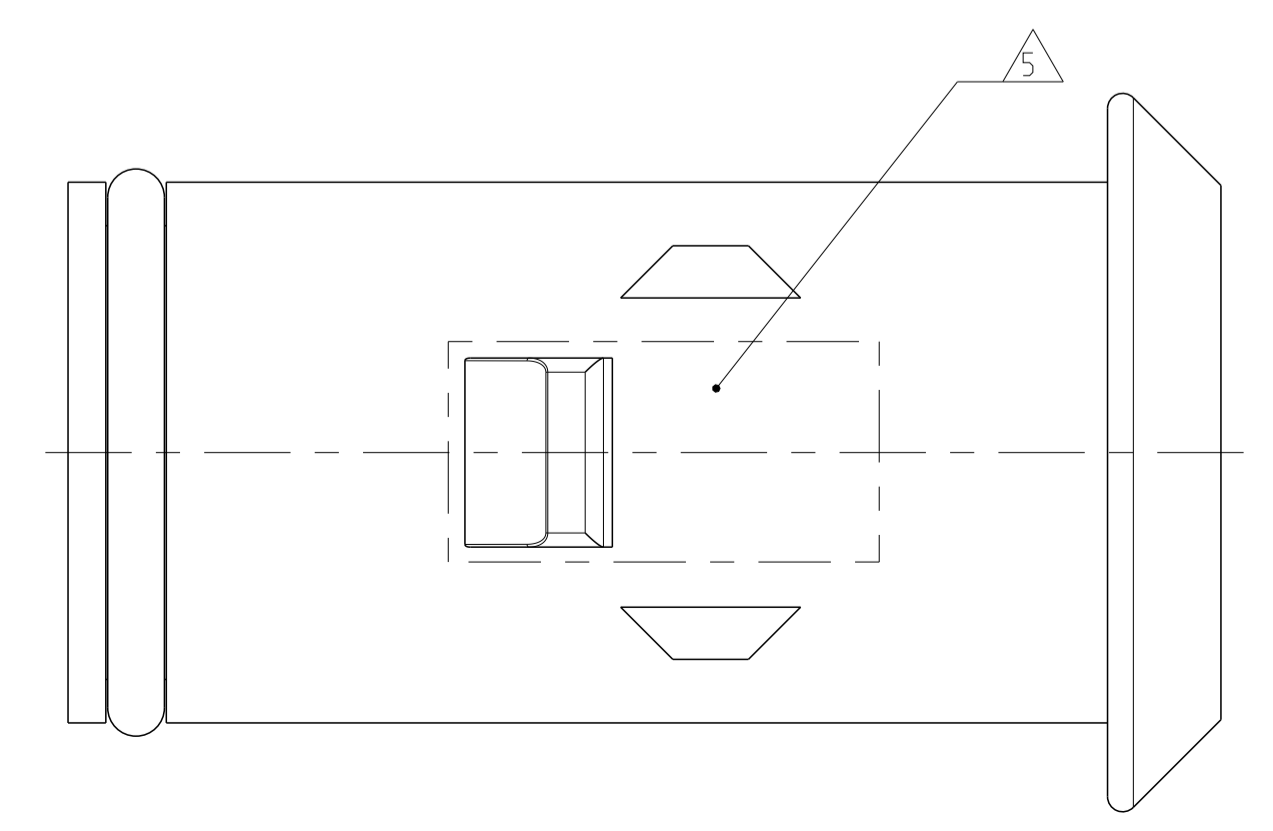
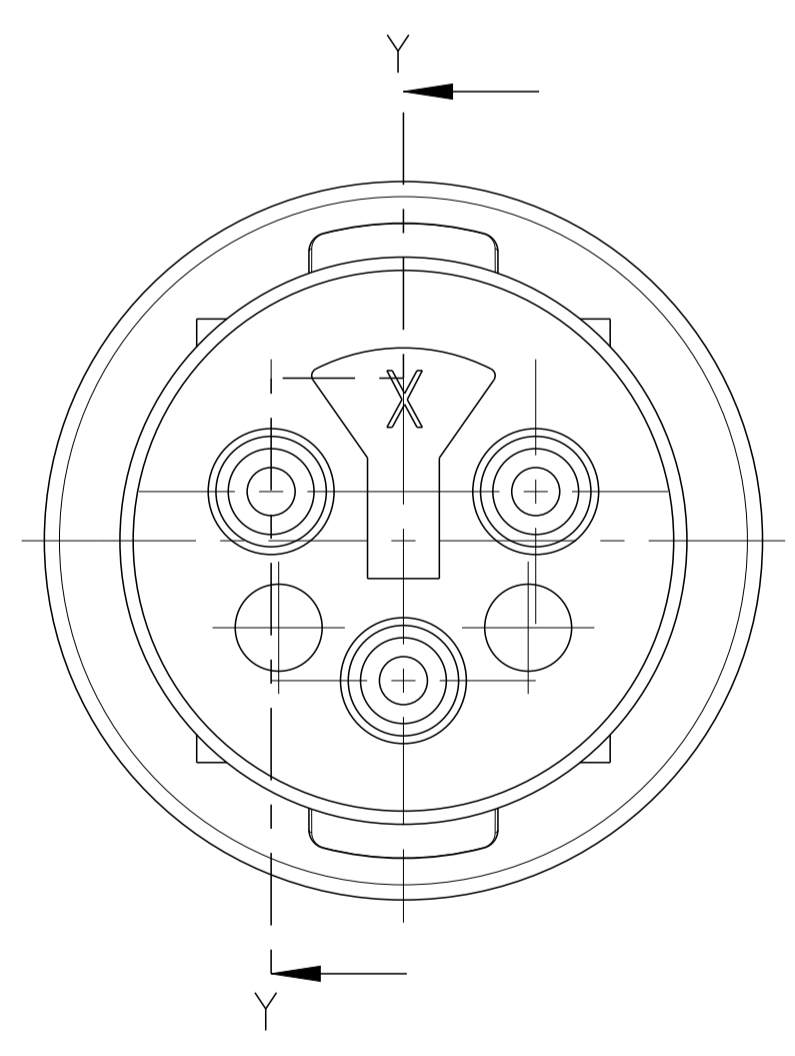
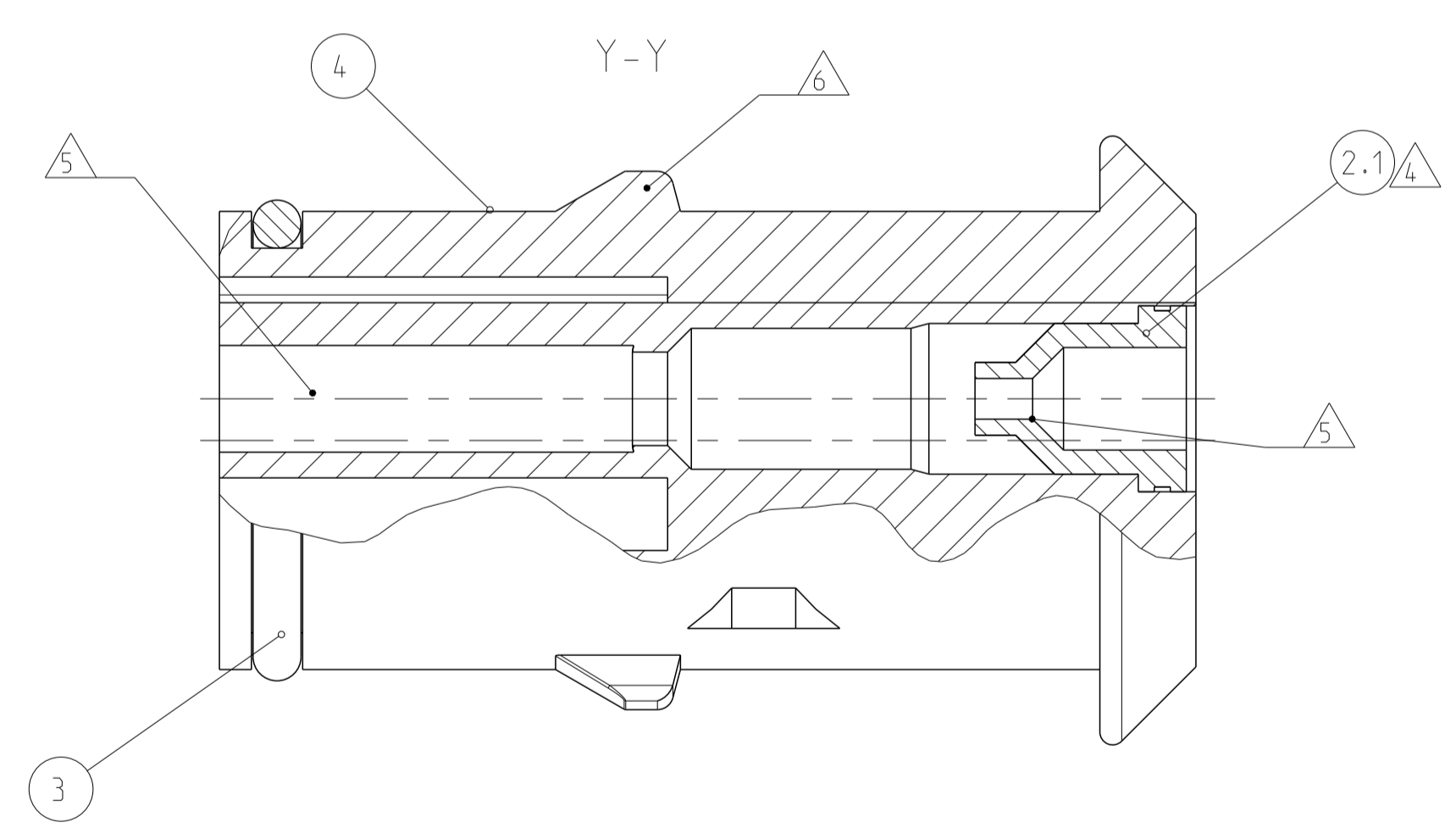
H2 H3

Bemerkungen / Notes:

- Teile in Lupolenbeutel luftdicht verpackt (500/1000 Sctk.)
Parts must be airtight packaged in bags of lupolen (500/1000 pieces)
- Geschmiert mit Gleitmittel Hellerine (Fa. Hellermannnyton) direkt vor dem Einsetzen des Kontaktes
Lubricated with Hellerine 625 (Hellermannnyton) right before contact insertion
- Kammer für Buschsenkontakt CIC, C1-2 od. Type III
Cavity for socket contact CIC, C1-2 or Type III
- Dichtungstülle für Litzenleitung mit Isolationsdurchmesser von 2.3-3.0mm
Seal for wire with isolationdiameter 2.3 - 3.0 mm
- Dichtungstülle für Litzenleitung mit Isolationsdurchmesser von 1.3-2.3 mm
Seal for wire with isolationdiameter 1.3 - 2.3 mm
- Keying Form with the Mating Connector: Click Stop
- Keying Form with the Mating Connector: Locking



1-...-2 wie gezeichnet
AS SHOWN



ACHTUNG !
Eine einwandfreie Funktion dieser Stecker kann nur bei Verwendung von Original-TEC-Teilen und genauer Einhaltung der Verarbeitungsanforderungen - schriftlich garantiert werden.
CAUTION !
A faultless operation of this connectors can be guaranteed only if original TEC parts are used and exact observance of processing specifications.

REV.	DESCRIPTION	MATERIAL	COLOUR	QTY.	ITEM NO	
2-826886-2	3 POS. SOCKET HOUSING	PA 6.6 GFV13	GREEN	1	4	
2-826886-1	3 POS. SOCKET HOUSING	PA 6.6 GFV13	NATURAL	1	4	
1-826886-9	3 POS. SOCKET HOUSING	PA 6.6 GFV13	NATURAL	1	4	
1-826886-8	3 POS. SOCKET HOUSING	PA 6.6 GFV13	BLACK	1	4	
1-826886-7	3 POS. SOCKET HOUSING	PA 6.6 GFV13	YELLOW	1	4	
1-826886-4	3 POS. SOCKET HOUSING	PA 6.6 GFV13	YELLOW	1	4	
1-826886-3	3 POS. SOCKET HOUSING	PA 6.6 GFV13	RED	1	4	
1-826886-2	3 POS. SOCKET HOUSING	PA 6.6 GFV13	BLACK	1	4	
1-826886-1	3 POS. SOCKET HOUSING	PA 6.6 GFV13	BLACK	1	4	
826886-7	3 POS. SOCKET HOUSING	PA 6.6 GFV13	BLACK	1	1	
826886-6	3 POS. SOCKET HOUSING	PA 6.6 GFV13	BLACK	1	3	
826886-5	3 POS. SOCKET HOUSING	PA 6.6 GFV13	RED	1	1	
826886-4	3 POS. SOCKET HOUSING	PA 6.6 GFV13	BLACK	1	3	
826886-1	3 POS. SOCKET HOUSING	PA 6.6 GFV13	BLACK	1	1	
ASSY NO	REV.	DESCRIPTION	MATERIAL	COLOUR	QTY.	ITEM NO
826886-1		3 POS. SOCKET HOUSING	PA 6.6 GFV13	BLACK	1	3

THIS DRAWING IS A CONTROLLED DOCUMENT. DWG: 210CT1982
 CHK: ADAMSKI 25OCT1982
 WENDLING

DIMENSIONS: mm TOLERANCES UNLESS OTHERWISE SPECIFIED: ±0.2mm

0 PLC ±
 1 PLC ±
 2 PLC ±
 3 PLC ±
 4 PLC ±
 ANGLES ±1.5°

MATERIAL: SEE LIST FINISH: -

NAME: 3POS. ECONOSEAL SOCKET-HOUSING ASS'Y

SIZE: A1 CAGE CODE: 00779 DRAWING NO: 826886

CUSTOMER DRAWING SCALE: 5:1 SHEET: 1 OF 1 REV: H4

TE TE Connectivity