

# StoreJet™ 2.5 SATA series

SATA HDD Enclosure

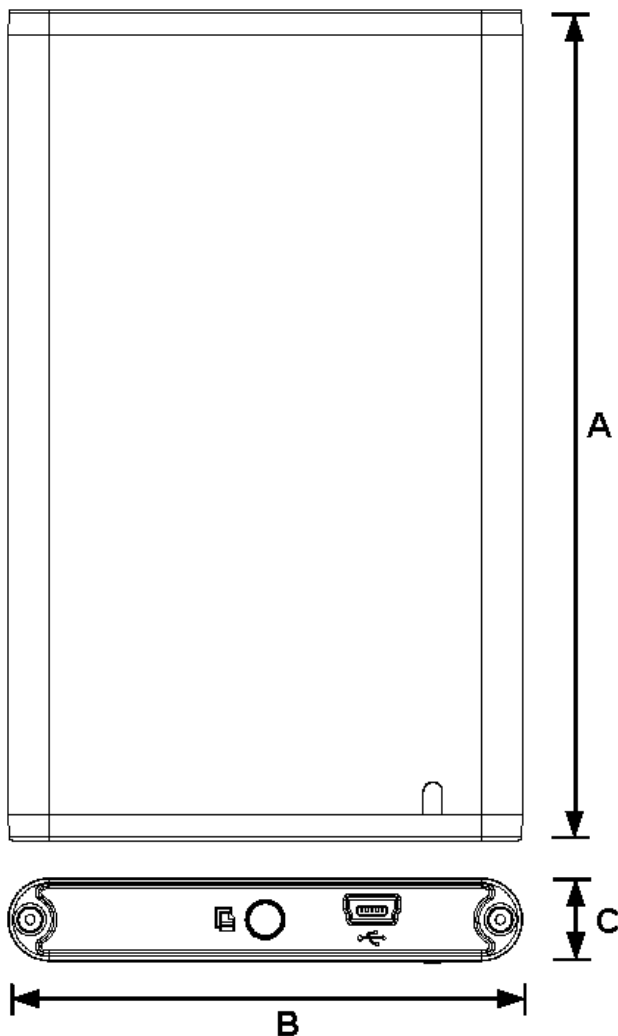
## Description

This device is designed to expedite exchanging huge amounts of data between Transcend StoreJet™ and any desktop or notebook computer.

## System Requirements

- Desktop or notebook computers with USB port
- One of following operating systems:
  - Windows 2000/XP/Vista, Mac OS 9.0 or above
  - Linux Kernel 2.4.2 or above

## Placement



## Features

- Hi-Speed USB 2.0 compliant and USB 1.1 backwards compatible
- Easy Plug and Play installation
- Ultra-Portability
- High transfer rate up to 480 Mbits per second
- Additional software pack: StoreJet elite (helps you manage your data)
- OneTouch Auto-Backup function
- Security: Protect your HDD and data with password
- Powered via the USB port. No external power or battery needed
- LED indicates power on and data access
- Recommended operating temperature: 5°C ~ 55°C

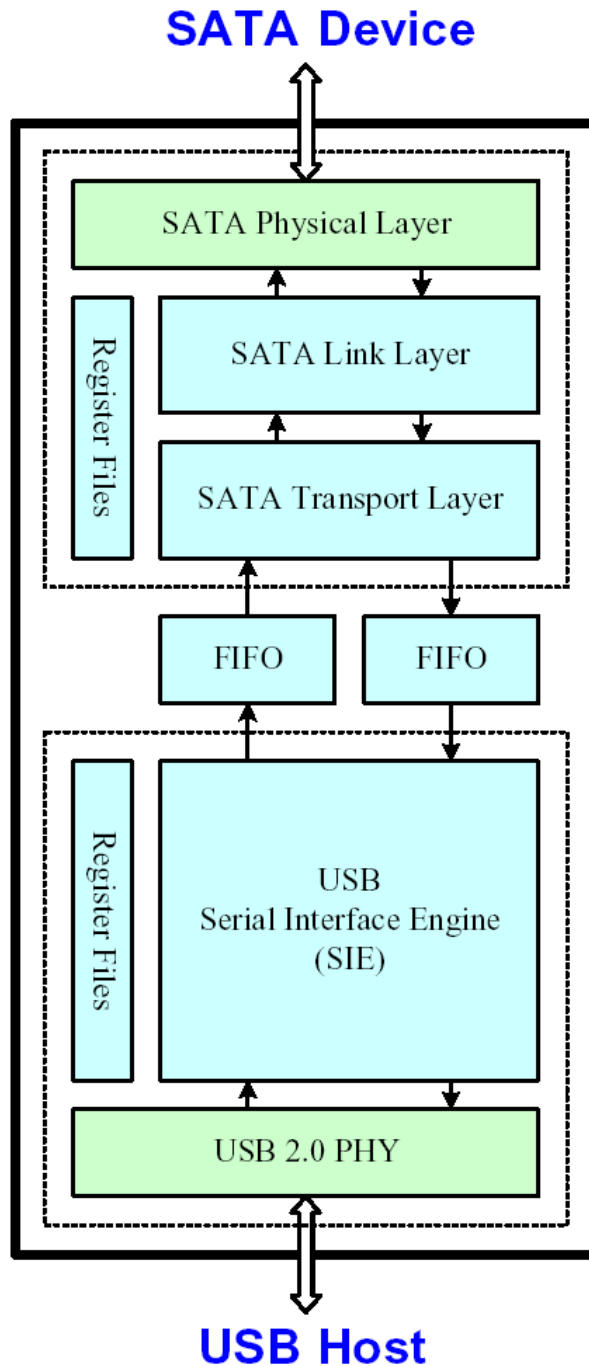
## Dimensions

Side	Millimeters	Inches
A	129.00 ± 1.00	5.079 ± 0.04
B	79.90 ± 1.00	3.146 ± 0.04
C	13.00 ± 1.00	0.512 ± 0.04

## Ordering Information

Transcend P/N	Memory Size	Color
TS0GSJ25S-S	0GB	Silver
TS0GSJ25B-S	0GB	Blue
TS0GSJ25R-S	0GB	Red
TS120GSJ25S-S	120GB	Silver
TS160GSJ25B-S	160GB	Blue
TS250GSJ25S-S	250GB	Silver

## Block Diagram



# StoreJet™ 2.5 SATA series

SATA HDD Enclosure

## Pinouts

Pin No.	Pin Name
01	VCC
02	USB-
03	USB+
04	VSS

## Pin Identification

Symbol	Function
USB-	USB differential signal
USB+	The pairs are used to transmit Data/Address/Command
VCC	USB Cable Power Detector
VSS	Ground

## Specifications

Environment		
Storage Media		2.5 inch SATA Hard Disk
Temperature	Operation	5 °C to 55 °C
	Storage	-20 °C to 60 °C
Power Supply		USB DC 5 Volt
Size (L x W x H)		129mmx79.9mmx13mm
Weight	Without Hard Drive	Max. 86g
Certificates		CE, FCC, BSMI

Above technical information is based on industry standard data and tested to be reliable. However, Transcend makes no warranty, either expressed or implied, as to its accuracy and assumes no liability in connection with the use of this product. Transcend reserves the right to make changes in specifications at any time without prior notice.