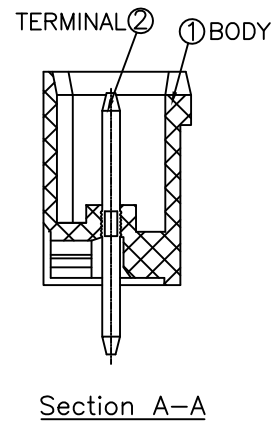
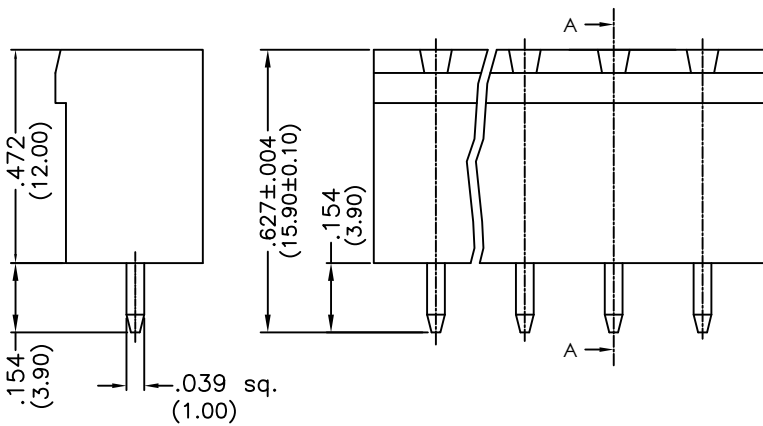
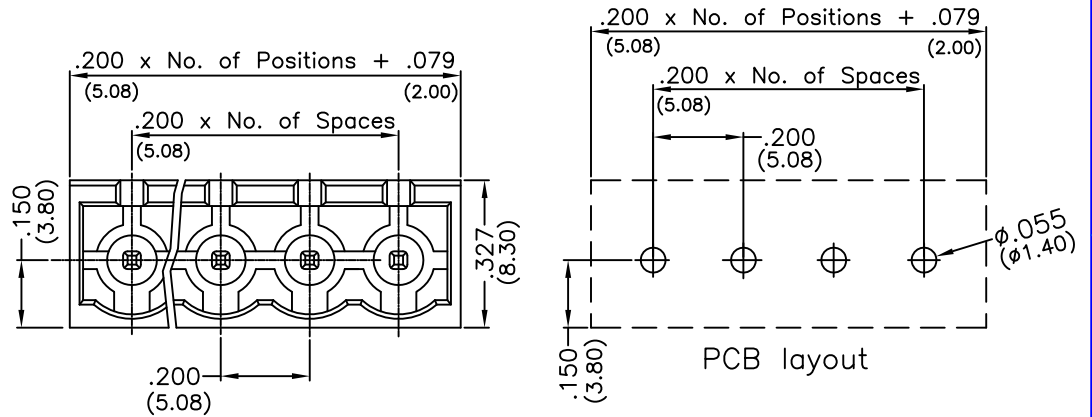


Major League Electronics .200 cl Pluggable Header Terminal Blocks



Ordering Information

TBPH-00-**200** - **XX** - **XX** - **LF**

Pitch
200 = .200 (5.08) cl

No. of Positions
02 - 24

Lead Free

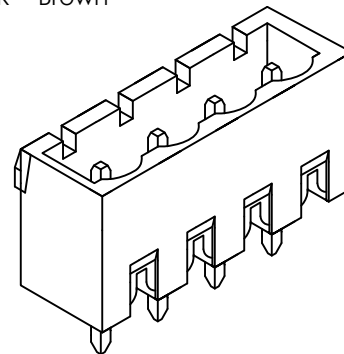
- Color
- GR = Green (Standard)
 - BK = Black
 - BL = Blue
 - WH = White
 - GY = Grey
 - OR = Orange
 - YW = Yellow
 - RD = Red
 - BR = Brown

Specifications

- Current Rating: 10 Ampere
- Voltage Rating: AC 250V
- Dielectric Withstanding Voltage: AC 2500V/1 minute
- Insulation Resistance: DC 500V 500MΩ
- Operating Temperature: -33°C to + 105°C

Materials

1. Body: PA66 (Nylon), UL94 V-0
2. Terminal: Brass, Tin Plated



Mates With:
TBPS-00-200-XX-XX-LF

Parts are subject to change without notice

TBPH-00-200-XX-XX-LF

.200cl Pluggable Header Terminal Block
Non-Interlock

14 NOV 08

Scale
NTS

UNLESS OTHERWISE SPECIFIED
DIMENSIONS IN INCHES (MM)
TOLERANCES IN INCHES:

ONE DECIMAL PLACE ±0.30
TWO DECIMAL PLACE ±0.20
THREE DECIMAL PLACE ±0.15
FOUR DECIMAL PLACE ±0.10



4235 Earnings Way, New Albany, Indiana, 47150, USA
1-800-782-3486 (USA/Canada/Mexico)
Tel: 812-944-7244
Fax: 812-944-7268
E-mail: mle@mlelectronics.com
Web: www.mlelectronics.com

Revision
B

Sheet
1/2

Revisions

Revision B - (23rd Mar 2010)

Side view added

TBPH-00-200-XX-XX-LF

.200cl Pluggable Header Terminal Block
Non-Interlock

14 NOV 08

Scale
NTS

UNLESS OTHERWISE SPECIFIED
DIMENSIONS IN INCHES (MM)
TOLERANCES IN INCHES:

ONE DECIMAL PLACE ±0.30
TWO DECIMAL PLACE ±0.20
THREE DECIMAL PLACE ±0.15
FOUR DECIMAL PLACE ±0.10



4235 Earnings Way, New Albany, Indiana, 47150, USA
1-800-782-3486 (USA/Canada/Mexico)
Tel: 812-944-7244
Fax: 812-944-7268
E-mail: mle@mlelectronics.com
Web: www.mlelectronics.com

Revision
B

Sheet
2/2