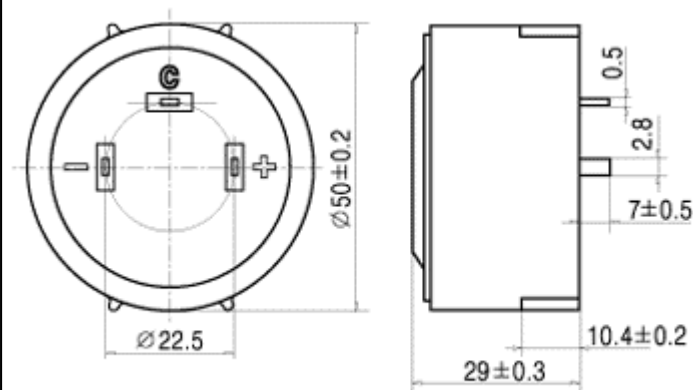




Type	BPT-50X
Rated Voltage(V)	12
Operating Voltage(V)	5~13
◆Rated Current(mA)	≤75
◆Sound Output at 30cm(dB)	≥108
◆Resonant Frequency(Hz)	2500±500
Operating Temperature(°C)	-20~+60
Storage Temperature(°C)	-30~+70
Weight(g)	31

◆ Value applying at rated voltage(DC).



Unit:mm