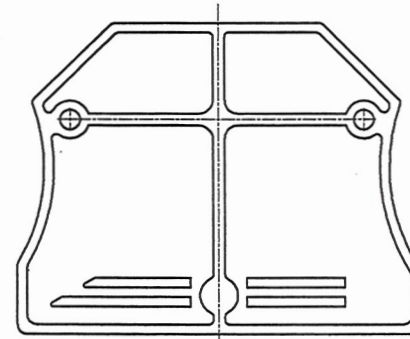
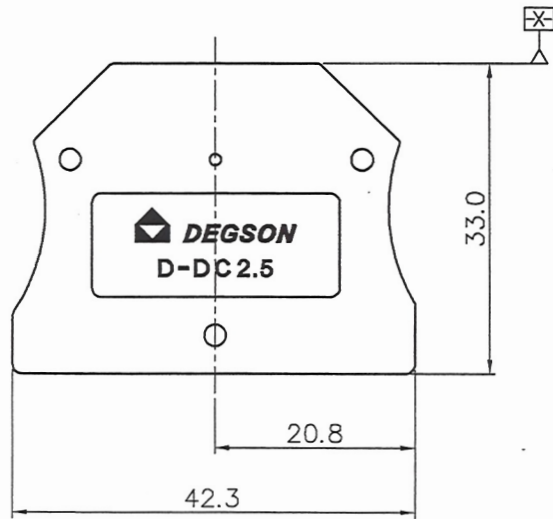
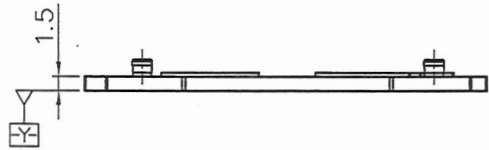


REVISION RECORD				
REV	ECN	DESCRIPTION	DRFT	DATE



文策中心  
2018.2.03  
(仅用于内部)

NOTES:

- 1.Dimension shall be interpreted per ASME Y14.5-2009
- 2.Operating temperature: -40°C~+105°C
- 3.Undimensioned tolerances:

Pitch Range In mm		Nominal Dimension Range In mm						-	∩	D
TO	Over	Over	Over	Over	Over	Over	0.1/10			
6	6 TO 10	10 TO 24	30 TO 30	60 TO 60	100 TO 100	150 TO 150	<			
±0.15	±0.20	±0.30	±0.30	±0.50	±0.70	±1.00	±1.30	±2'		

4.RoHS Compliance

1	COVER	PA66	UL94V-0
ITEM	NAME OF PART	MATERIAL	NOTES

DETACHED LISTS	PART NO.: /	宁波高松电子有限公司 NINGBO DEGSON ELECTRICAL CO., LTD		
	APPD: <i>Ap 2018.01.30</i>	NAME: D-DC2.5-01P-1Y-00A(H)		
	CHKD: <i>Frank 2018.01.29</i>	TITLE: CUSTOMER DRAWING		
	DRFT: ding 2015.12.09	REV	TO	
		DRAWING NO.: D-DC2.5-C01	SHEET	1/1
THIRD ANGLE PROJECTION	MM (INCH)	DO NOT SCALE DRAWING	SCALE 1:1	