

### CMOS SJ-A1430 Series

### Description

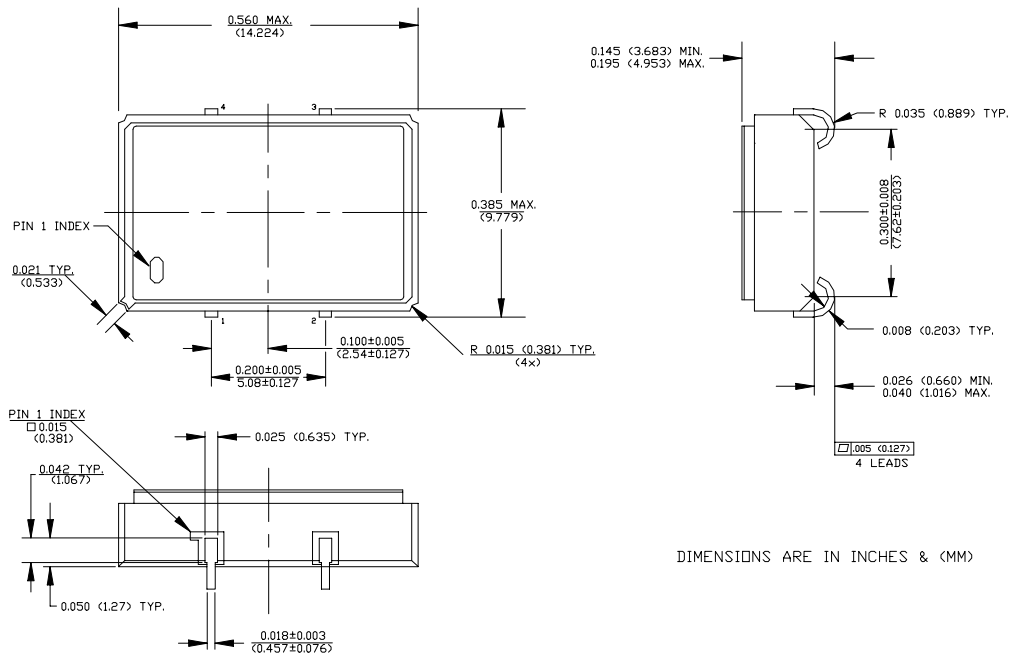
The **SJ-A1430 Series** of quartz crystal oscillators provide enable/disable 3-state CMOS compatible signals for bus connected systems. Supplying Pin 1 of the SJ-A1430 units with a logic "1" or open enables its pin 3 output. In the disabled mode, pin 3 presents a high impedance to the load.

### Features

- Wide frequency range— 80.0MHz to 125.0MHz
- User specified tolerance available
- Will withstand vapor phase temperatures of 253°C for 4 minutes maximum
- Space-saving alternative to discrete component oscillators
- High shock resistance, to 3000g
- Metal lid electrically connected to ground to reduce EMI
- 3.3 Volt operation
- Low Jitter
- High Q Crystal actively tuned oscillator circuit
- Power supply decoupling internal
- No internal PLL avoids cascading PLL problems
- Low power consumption
- Gold plated leads

### Electrical Connection

Pin	Connection
1	Enable Input
2	Grd & Case
3	Output
4	V <sub>DD</sub>



**SJ-A1430 Series** Continued  
CMOS

**Rev. J**

## Operating Conditions and Output Characteristics

### Electrical Characteristics

Parameter	Symbol	Conditions	Min	Typical	Max
Frequency	-----	-----	80.0MHz	-----	125.0MHz
Duty Cycle	-----	@ $V_{DD}/2$	40/60%	-----	60/40%
Logic 0	$V_{OL}$	@ 600 $\mu$ A	-----	-----	0.2V
Logic 1	$V_{OH}$	@ 600 $\mu$ A	$V_{DD}-0.2V$	-----	-----
Rise & Fall Time	tr,tf	10-90%	-----	1 ns	3 ns
TPz	-----	-----	-----	-----	5 ms
Jitter, RMS <sup>(2)</sup>	-----	-----	-----	-----	5 psec
Frequency Stability <sup>(1)</sup>	dF/F	Overall conditions including voltage, calibration, temp., 10 yr aging, shock, vibration	-100ppm	-----	+100ppm

### General Characteristics

Parameter	Symbol	Conditions	Min	Typical	Max
Supply Voltage	$V_{DD}$	-----	3.135V	3.3V	3.465V
Supply Current	$I_{DD}$	No Load	0.0 mA	-----	60mA
Output current	$I_O$	-----	0.0 mA	-----	$\pm 16.0$ mA
Operating temperature	$T_A$	-----	0°C	-----	70°C
Storage temperature	$T_S$	-----	-55°C	-----	125°C
Power Dissipation	$P_D$	-----	-----	-----	208 mW
Lead temperature	$T_L$	Soldering, 10 sec.	-----	-----	300°C
Load	----	-----	-----	-----	15pf
Start-up time	$t_S$	-----	-----	2 ms	10 ms

### Environmental and Mechanical Characteristics

Mechanical Shock Per MIL-STD-202, Method 213, Condition E  
 Thermal Shock Per MIL-STD-833, Method 1011, Condition A  
 Vibration 0.060" double amplitude 10 Hz to 55 Hz, 35g's 55Hz to 2000 Hz  
 Soldering Condition 300°C for 10 seconds  
 Hermetic Seal Leak rate less than  $1 \times 10^{-8}$  atm.cc/sec of helium

#### Footnotes:

- 1) Standard frequency stability ( $\pm 20, \pm 25, \pm 50$ ppm & others available)
- 2) Jitter performance is frequency dependent. Please contact factory for full characterization.

Creating a Part Number	
<b>SJ - A143X - FREQ</b>	
<b>Package Code</b>	<b>Tolerance/Performance</b>
SJ 4 J Lead SMD	0 $\pm 100$ ppm 0-70°C
	1 $\pm 50$ ppm 0-70°C
	7 $\pm 25$ ppm 0-70°C
	9 Customer Specific
<b>Input Voltage</b>	A $\pm 20$ ppm 0-70°C
Code Specification	B $\pm 50$ ppm -40 to +85°C
A 3.3V	C $\pm 100$ ppm -40 to +85°C
5V	

#### Test Load:

