

**PLEASE CHECK WWW.MOLEX.COM FOR LATEST PART INFORMATION**

**Part Number:** [0473631032](#)  
**Status:** **Active**  
**Description:** 1.27mm (.050") Pitch Combo SATA Cable Connector, Straight Type, without Arris, 0.38µm (15µ") Gold (Au), 22 Circuits, Lead Free

**Documents:**

[3D Model](#) [Product Specification PS-47362-001 \(PDF\)](#)  
[Drawing \(PDF\)](#) [RoHS Certificate of Compliance \(PDF\)](#)

**General**

Product Family	I/O Connectors
Series	<a href="#">47363</a>
Application	Wire-to-Board
Component Type	Receptacle
Product Name	SAS
Type	N/A

**Physical**

Boot Color	N/A
Circuits (Loaded)	22
Circuits (maximum)	22
Circuits Detail	Signal 7, Power 15
Durability (mating cycles max)	50
Gender	Receptacle
Keying to Mating Part	Yes
Lock to Mating Part	Yes
Material - Metal	Copper Alloy
Material - Plating Mating	Gold
Material - Plating Termination	Tin
Number of Rows	1
Orientation	Straight
PCB Locator	No
PCB Retention	None
Packaging Type	Tray
Panel Mount	No
Pitch - Mating Interface (in)	0.050 In
Pitch - Mating Interface (mm)	1.27 mm
Pitch - Term. Interface (in)	0.050 In
Pitch - Term. Interface (mm)	1.27 mm
Plating min: Mating (µin)	15
Plating min: Mating (µm)	0.38
Plating min: Termination (µin)	50
Plating min: Termination (µm)	1.27
Polarized to Mating Part	Yes
Polarized to PCB	Yes
Ports	2
Temperature Range - Operating	-35°C to +85°C
Termination Interface: Style	Through Hole
Waterproof / Dustproof	No
Wire Size AWG	N/A

**Electrical**

Current - Maximum per Contact	1.5A
Voltage - Maximum	15V DC

**Material Info**

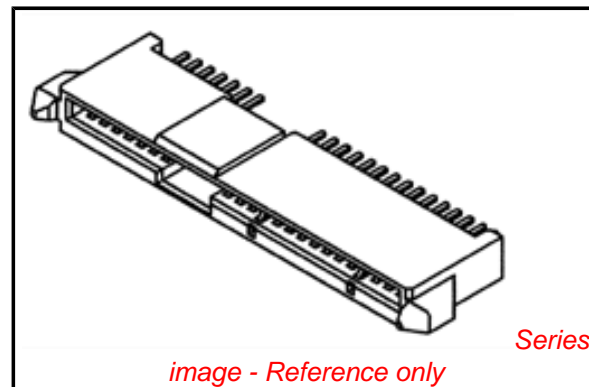


image - Reference only

**EU RoHS**

**ELV and RoHS  
Compliant**  
**REACH SVHC  
Contains SVHC: No**  
**Halogen-Free  
Status**

**China RoHS**



**Not Reviewed**

**Need more information on product  
environmental compliance?**

Email [productcompliance@molex.com](mailto:productcompliance@molex.com)  
 For a multiple part number RoHS Certificate of Compliance, [click here](#)

Please visit the [Contact Us](#) section for any non-product compliance questions.

**Search Parts in this Series**

[47363Series](#)

**Reference - Drawing Numbers**

Product Specification  
Sales Drawing

PS-47362-001  
SD-47363-100

This document was generated on 04/02/2010

**PLEASE CHECK [WWW.MOLEX.COM](http://WWW.MOLEX.COM) FOR LATEST PART INFORMATION**

F

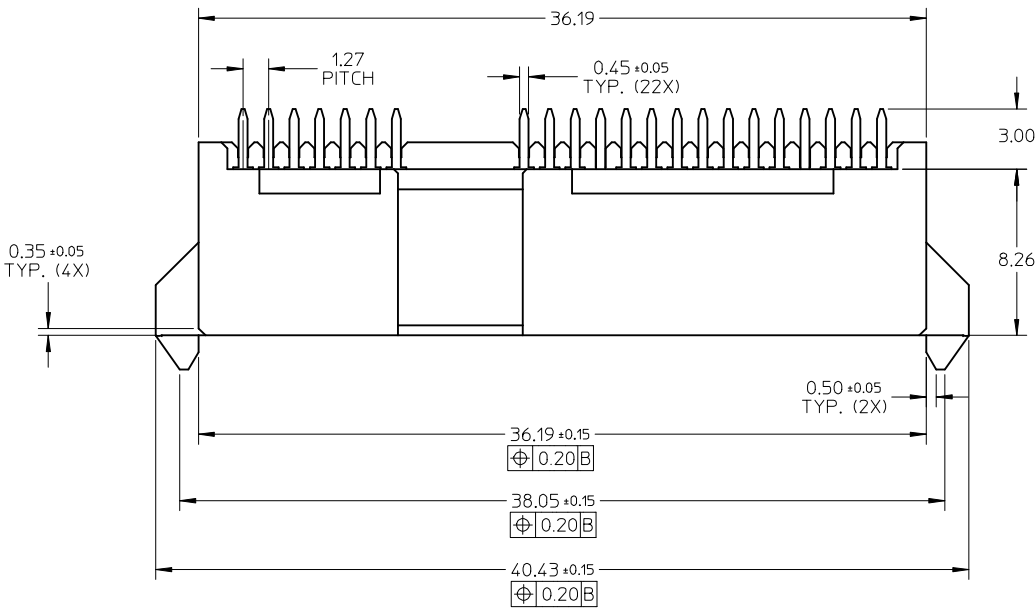
E

D

C

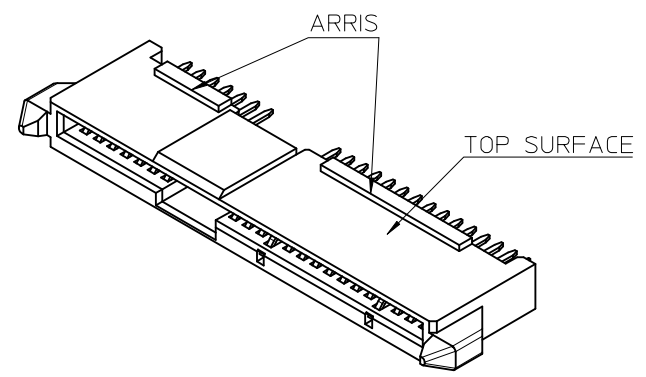
B

A

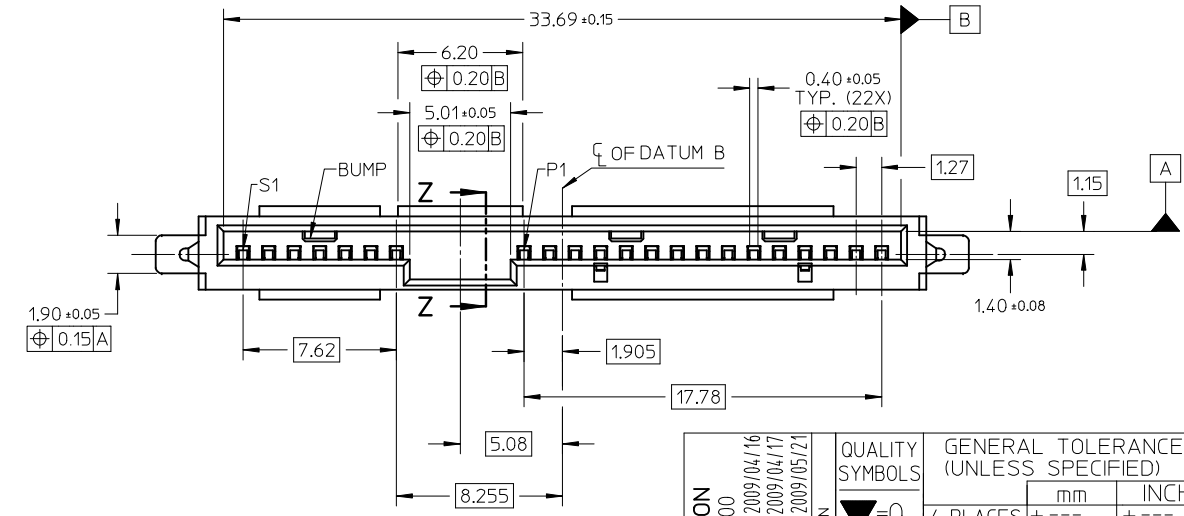
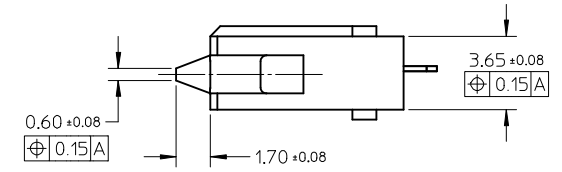


NOTES:

1. MATERIAL:  
HOUSING: THERMAL PLASTIC, GLASS FILLED, UL94V-0, COLOR: BLACK.  
TERMINAL: COPPER ALLOY, THICKNESS=0.25MM.
2. TERMINAL PLATING:  
CONTACT AREA: GOLD PLATED, SEE TABLE.  
SOLDER AREA: PURE TIN, THICKNESS=1.27 MICRONS MINIMUM.  
UNDER PLATE: NICKLE, THICKNESS=1.27 MICRONS MINIMUM.
3. PRODUCT SPECIFICATION: REFER TO PS-47362-001.
4. PACKAGING METHOD: REFER TO PK-47362-001.
5. PRODUCT COMPLIANT TO RoHS DIRECTIVE 2002/95/EC AND ELV DIRECTIVE 2000/53/EC



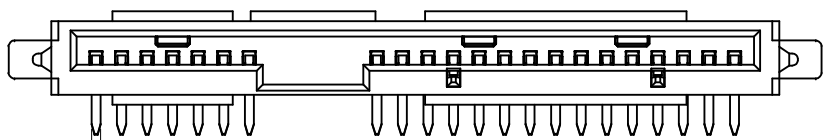
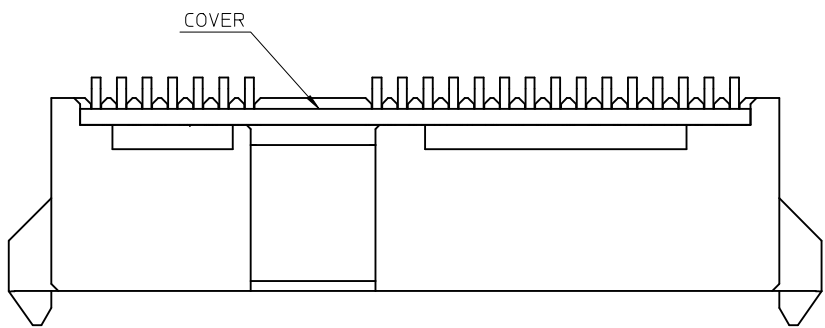
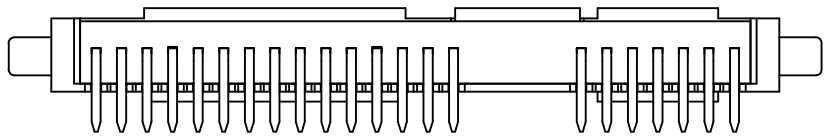
STRAIGHT TYPE



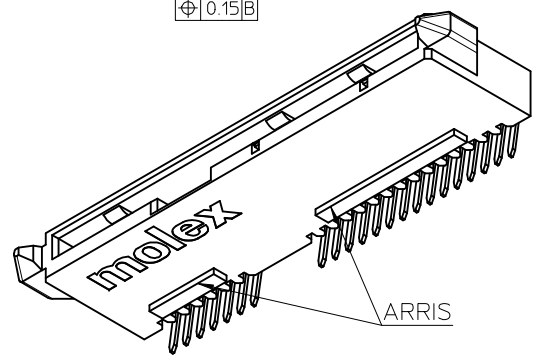
ADD NEW OPTION EC NO: SH2009-0500 DRWN: XJ SONG 2009/04/16 CHKD: XJ SONG 2009/04/17 APPR: HWANG 2009/05/21	QUALITY SYMBOLS	GENERAL TOLERANCES (UNLESS SPECIFIED)	DIMENSION STYLE		SCALE	DESIGN UNITS	THIRD ANGLE PROJECTION
	▽=0 ∇=0		MM ONLY	4:1	METRIC		
REV	DESCRIPTION	4 PLACES ± --- ± ---	DRAWN BY	DATE	TITLE <b>COMBO SAS RECEPTACLE CABLE END</b>		
		3 PLACES ± --- ± ---	BCHEN26	2005/12/05			
		2 PLACES ± 0.2 ± ---	CHECKED BY	DATE	MOLEX INCORPORATED		
		1 PLACE ± 0.25 ± ---	DIXON	2005/12/05			
		ANGULAR ± 3 °	APPROVED BY	DATE	DOCUMENT NO. SD-47363-100		
			GRATE	2005/12/05			
			MATERIAL NO. <b>SEE SHEETS</b>		SHEET NO. 1 OF 5		
			SIZE A3				

DRAFT WHERE APPLICABLE  
MUST REMAIN  
WITHIN DIMENSIONS

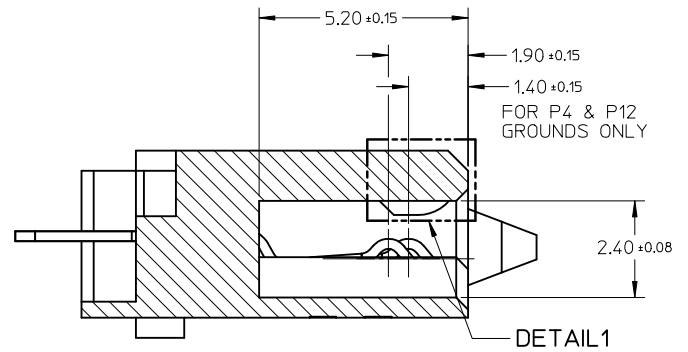
THIS DRAWING CONTAINS INFORMATION THAT IS PROPRIETARY TO MOLEX INCORPORATED AND SHOULD NOT BE USED WITHOUT WRITTEN PERMISSION



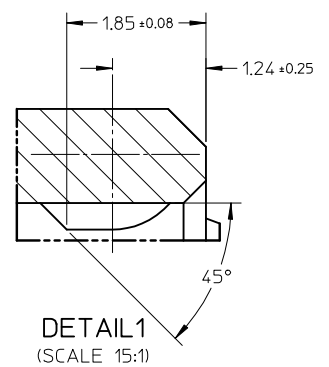
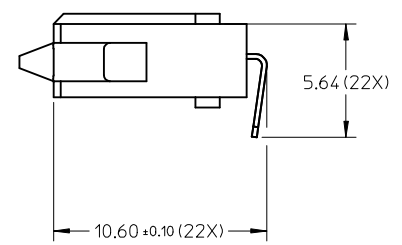
0.45 ±0.05  
TYP. (22X)  
⌀ 0.15



RIGHT ANGLE(90 DEGREE) TYPE  
OTHER DIMENSIONS REFER TO STRAIGHT TYPE



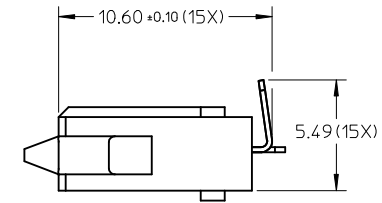
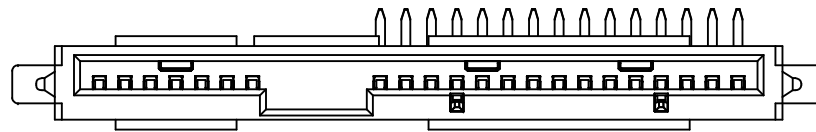
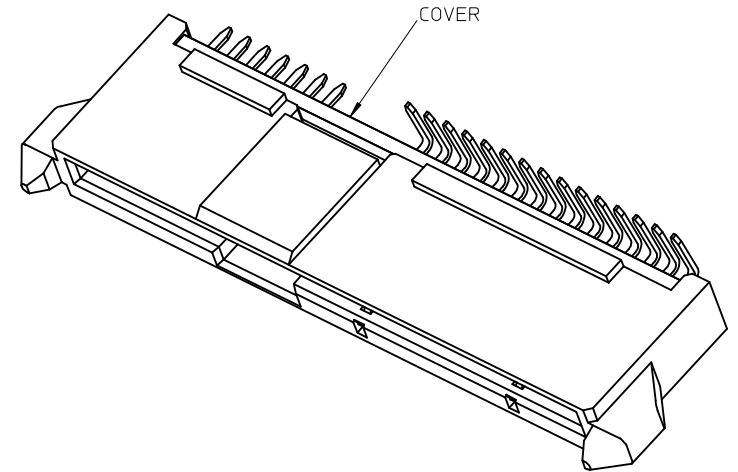
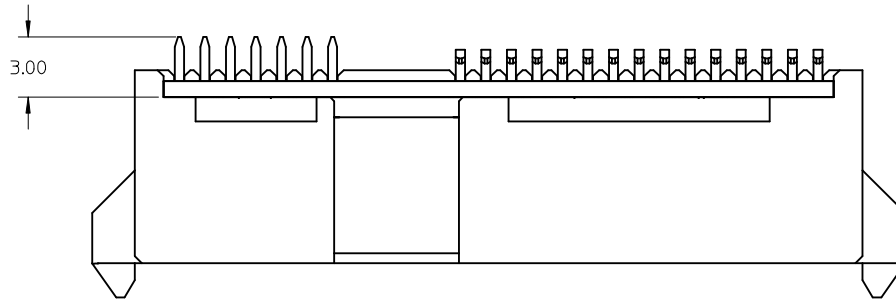
SECTION Z-Z  
(SCALE 8:1)



DETAIL 1  
(SCALE 15:1)

SEE SHEET 1 EC NO: SHZ009-0500 TDRWNX:J.SONG 2009/04/16 CHKDX:J.SONG 2009/04/17 APPR:HWANG 2009/05/21	QUALITY SYMBOLS	GENERAL TOLERANCES (UNLESS SPECIFIED)		DIMENSION STYLE MM ONLY		SCALE 4:1	DESIGN UNITS METRIC	THIRD ANGLE PROJECTION
	▽=0 ∇=0	mm	INCH	DRAWN BY BCHEN26	DATE 2005/12/05	TITLE COMBO SAS RECEPTACLE CABLE END		
		4 PLACES ± --- ± ---	3 PLACES ± --- ± ---	CHECKED BY DIXON	DATE 2005/12/05	MOLEX INCORPORATED		
		2 PLACES ± 0.2 ± ---	1 PLACE ± 0.25 ± ---	APPROVED BY GRATE	DATE 2005/12/05	DOCUMENT NO. SD-47363-100		
DESCRIPTION	ANGULAR ± 3 °	DRAFT WHERE APPLICABLE MUST REMAIN WITHIN DIMENSIONS		MATERIAL NO. SEE SHEETS		SHEET NO. 2 OF 5		
REV	THIS DRAWING CONTAINS INFORMATION THAT IS PROPRIETARY TO MOLEX INCORPORATED AND SHOULD NOT BE USED WITHOUT WRITTEN PERMISSION		SIZE A3					

10 9 8 7 6 5 4 3 2 1



COMPOSITE TYPE

OTHER DIMENSIONS REFER TO STRAIGHT TYPE OR RIGHT ANGLE(90 DEGREE) TYPE.

SEE SHEET1 EC NO: SH2009-0500 TDR:WXYJSONG 2009/04/16 CHKD:XJSONG 2009/04/17 APPR:HWANG 2009/05/21	DESCRIPTION REV	QUALITY SYMBOLS	GENERAL TOLERANCES (UNLESS SPECIFIED)		DIMENSION STYLE MM ONLY		SCALE 4:1	DESIGN UNITS METRIC	THIRD ANGLE PROJECTION	
		▼=0 □=0	mm	INCH	DRAWN BY BCHEN26	DATE 2005/12/05	TITLE COMBO SAS RECEPTACLE CABLE END			
			4 PLACES ± --- ± ---	3 PLACES ± --- ± ---	CHECKED BY DIXON	DATE 2005/12/05	MOLEX INCORPORATED			
			2 PLACES ± 0.2 ± ---	1 PLACE ± 0.25 ± ---	APPROVED BY GRATE	DATE 2005/12/05	DOCUMENT NO. SD-47363-100		SHEET NO. 3 OF 5	
DRAFT WHERE APPLICABLE MUST REMAIN WITHIN DIMENSIONS			ANGULAR ± 3 °		MATERIAL NO. SEE SHEETS		THIS DRAWING CONTAINS INFORMATION THAT IS PROPRIETARY TO MOLEX INCORPORATED AND SHOULD NOT BE USED WITHOUT WRITTEN PERMISSION			

9 8 7 6 5 4 3 2 1

10 9 8 7 6 5 4 3 2 1

F

E

D

C

B

A

F

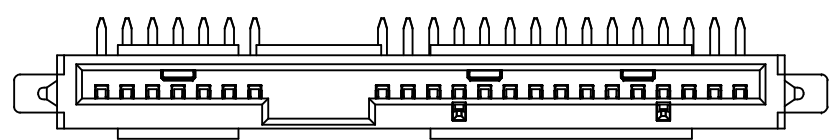
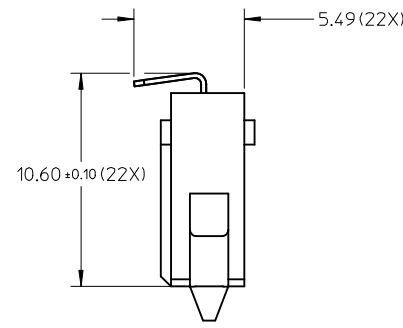
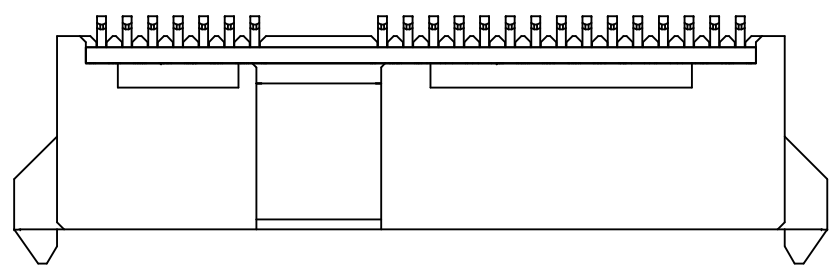
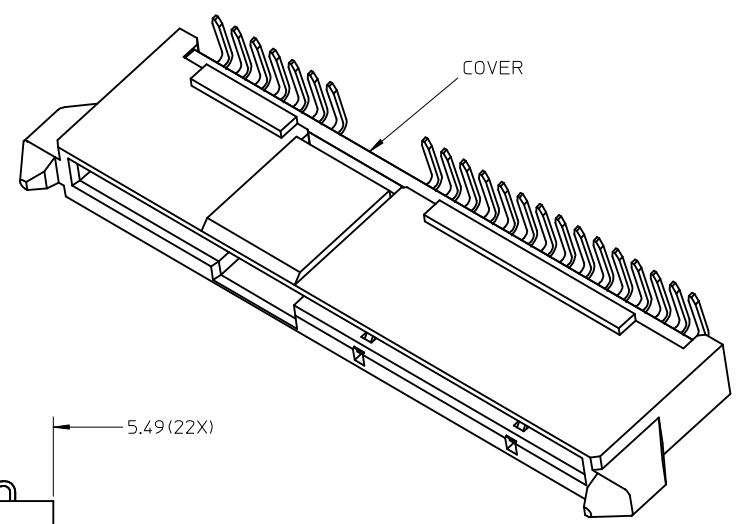
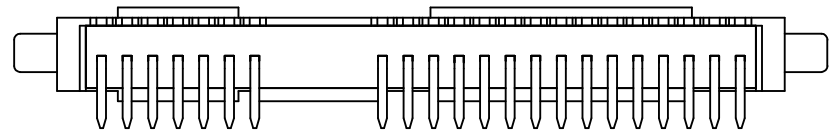
E

D

C

B

A



RIGHT ANGLE(270 DEGREE)TYPE  
OTHER DIMENSIONS REFER TO RIGHT ANGLE(90 DEGREE) TYPE.

SEE SHEET1 EC NO: SH2009-0500 2009/04/16 DRWN: XJ SONG 2009/04/17 CHKD: XJ SONG 2009/05/21 APPR: H WANG	DESCRIPTION REV	QUALITY SYMBOLS	GENERAL TOLERANCES (UNLESS SPECIFIED)	DIMENSION STYLE	SCALE	DESIGN UNITS	THIRD ANGLE PROJECTION		
		$\nabla = 0$ $\sphericalangle = 0$	mm      INCH 4 PLACES ± --- ± --- 3 PLACES ± --- ± --- 2 PLACES ± 0.2 ± --- 1 PLACE ± 0.25 ± --- ANGULAR ± 3 °	MM ONLY	4:1	METRIC	DRAWN BY: B CHEN26      DATE: 2005/12/05 CHECKED BY:              DATE: DIXON                      2005/12/05 APPROVED BY:              DATE: GRATE                      2005/12/05	TITLE	COMBO SAS RECEPTACLE CABLE END
		DRAFT WHERE APPLICABLE MUST REMAIN WITHIN DIMENSIONS	SEE SHEET 5	MATERIAL NO.	DOCUMENT NO.	SHEET NO.	MOLEX INCORPORATED SD-47363-100 4 OF 5		
		THIS DRAWING CONTAINS INFORMATION THAT IS PROPRIETARY TO MOLEX INCORPORATED AND SHOULD NOT BE USED WITHOUT WRITTEN PERMISSION							

9 8 7 6 5 4 3 2 1

10	9	8	7	6	5	4	3	2	1
P/N	PLATE TYPE	REMARK	STRAIGHT OR R/A	P/N	PLATE TYPE	REMARK	STRAIGHT OR R/A		
47363-1000	GOLD FLASH	WITH ARRIS ON BOTH SURFACE	STRAIGHT TYPE	47363-4000	GOLD FLASH	WITH ARRIS ON BOTH SURFACE WITH COVER	RIGHT ANGLE TYPE (270 DEGREE)		
47363-1001	GOLD PLATED 0.76 MICRONS MIN.			47363-4001	GOLD PLATED 0.76 MICRONS MIN.				
47363-1002	GOLD PLATED 0.38 MICRONS MIN.			47363-4002	GOLD PLATED 0.38 MICRONS MIN.				
47363-1010	GOLD FLASH			47363-4010	GOLD FLASH				
47363-1011	GOLD PLATED 0.76 MICRONS MIN.	WITH ARRIS ON TOP SURFACE WITH COVER		47363-4011	GOLD PLATED 0.76 MICRONS MIN.				
47363-1012	GOLD PLATED 0.38 MICRONS MIN.			47363-4012	GOLD PLATED 0.38 MICRONS MIN.				
47363-1020	GOLD FLASH	WITH ARRIS ON BOTTOM SURFACE WITH COVER		47363-4020	GOLD FLASH				
47363-1021	GOLD PLATED 0.76 MICRONS MIN.			47363-4021	GOLD PLATED 0.76 MICRONS MIN.				
47363-1022	GOLD PLATED 0.38 MICRONS MIN.	WITHOUT ARRIS WITH COVER		47363-4022	GOLD PLATED 0.38 MICRONS MIN.				
47363-1030	GOLD FLASH			47363-4030	GOLD FLASH				
47363-1031	GOLD PLATED 0.76 MICRONS MIN.	WITHOUT ARRIS WITH COVER	47363-4031	GOLD PLATED 0.76 MICRONS MIN.					
47363-1032	GOLD PLATED 0.38 MICRONS MIN.		47363-4032	GOLD PLATED 0.38 MICRONS MIN.					
47363-2000	GOLD FLASH	WITH ARRIS ON BOTH SURFACE WITH COVER	RIGHT ANGLE TYPE (90 DEGREE)						
47363-2001	GOLD PLATED 0.76 MICRONS MIN.								
47363-2002	GOLD PLATED 0.38 MICRONS MIN.								
47363-2010	GOLD FLASH	WITH ARRIS ON TOP SURFACE WITH COVER							
47363-2011	GOLD PLATED 0.76 MICRONS MIN.								
47363-2012	GOLD PLATED 0.38 MICRONS MIN.	WITH ARRIS ON BOTTOM SURFACE WITH COVER							
47363-2020	GOLD FLASH								
47363-2021	GOLD PLATED 0.76 MICRONS MIN.	WITHOUT ARRIS WITH COVER							
47363-2022	GOLD PLATED 0.38 MICRONS MIN.								
47363-2030	GOLD FLASH	WITHOUT ARRIS WITH COVER							
47363-2031	GOLD PLATED 0.76 MICRONS MIN.								
47363-2032	GOLD PLATED 0.38 MICRONS MIN.	COMPOSITE TYPE							
47363-3000	GOLD FLASH		WITH ARRIS ON BOTH SURFACE WITH COVER						
47363-3001	GOLD PLATED 0.76 MICRONS MIN.								
47363-3002	GOLD PLATED 0.38 MICRONS MIN.		WITH ARRIS ON TOP SURFACE WITH COVER						
47363-3010	GOLD FLASH								
47363-3011	GOLD PLATED 0.76 MICRONS MIN.		WITH ARRIS ON BOTTOM SURFACE WITH COVER						
47363-3012	GOLD PLATED 0.38 MICRONS MIN.								
47363-3020	GOLD FLASH		WITHOUT ARRIS WITH COVER						
47363-3021	GOLD PLATED 0.76 MICRONS MIN.								
47363-3022	GOLD PLATED 0.38 MICRONS MIN.		WITHOUT ARRIS WITH COVER						
47363-3030	GOLD FLASH								
47363-3031	GOLD PLATED 0.76 MICRONS MIN.	WITHOUT ARRIS WITH COVER							
47363-3032	GOLD PLATED 0.38 MICRONS MIN.								

<b>SEE SHEET1</b> EC NO: SHZ009-0500 T1 DRW: XJ.SONG 2009/04/16 CHKD: XJ.SONG 2009/04/17 APPR: HWANG 2009/05/21	QUALITY SYMBOLS	GENERAL TOLERANCES (UNLESS SPECIFIED)	DIMENSION STYLE	SCALE	DESIGN UNITS	THIRD ANGLE PROJECTION
	=0 =0	mm      INCH	MM ONLY	4:1	METRIC	
		4 PLACES ± --- ± --- 3 PLACES ± --- ± --- 2 PLACES ± 0.2 ± --- 1 PLACE ± 0.25 ± --- ANGULAR ± 3 °	DRAWN BY: BCHEN26      DATE: 2005/12/05 CHECKED BY:              DATE: DIXON                      2005/12/05 APPROVED BY:            DATE: GRATE                      2005/12/05	TITLE: COMBO SAS RECEPTACLE CABLE END		
		DRAFT WHERE APPLICABLE MUST REMAIN WITHIN DIMENSIONS	MATERIAL NO.      DOCUMENT NO.	MOLEX INCORPORATED		SHEET NO. 5 OF 5