

Small Power Choke Coil

PCMC(B) series, PW.PS series



Low DCR, small size with high current capability, high efficiency and low loss.

Applications

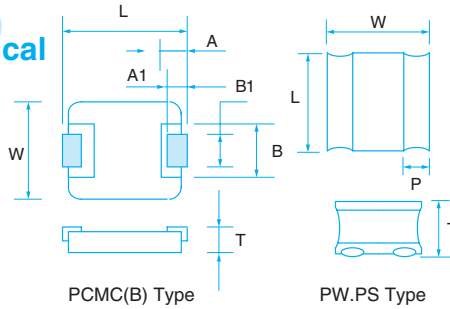
Small electronics equipment for communication, information, imaging, audio etc.

RoHS compliant

Completely lead free

SPECIFICATIONS

Mechanical



PCMC(B) Type

PW.PS Type

Dimension (mm)	PCMC(B) Type	
	PCMC(B)042T	PCMC053T
L	4.5max.	5.2max.
W	4.0±0.3	4.7±0.2
T	2.0max.	3.0max.
A	1.0±0.1	1.5±0.1
A1	0.8±0.3	1.0±0.3
B	2.2±0.2	1.8±0.2
B1	1.5±0.3	

Dimension (mm)	PW		PS031		PS041B
	021T Type	25201B Type	031T Type	031B Type	
L	1.9±0.2	1.95±0.1	2.9±0.2		3.8±0.2
W	1.9±0.2	2.45±0.1	2.9±0.2		3.8±0.2
P	0.4±0.2		0.75±0.2		1.0±0.2
T	1.0±0.1	1.2±0.1	1.0±0.1	1.2±0.1	1.2±0.1

Electrical

PW type

PW021T-***MS	L0(μH) Inductance	Rdc(mΩ)		Rated current (A)	Saturation current (A)
		Typical	MAX.		
R50	0.5	85	100	1.50	2.40
1R0	1.0	120	150	1.20	1.80
2R2	2.2	300	350	0.85	1.20
3R3	3.3	430	500	0.75	0.98
4R7	4.7	600	700	0.65	0.80
6R8	6.8	780	900	0.55	0.73
100	10.0	1200	1400	0.45	0.61

PW25201BT-***MS	L0(μH) Inductance	Rdc(mΩ)		Rated current (A)	Saturation current (A)
		Typical	MAX.		
R47	0.47	47	56	2.20	3.70
1R0	1.0	73	88	1.80	2.70
1R5	1.5	105	126	1.50	2.10
2R2	2.2	129	155	1.30	1.70
3R3	3.3	227	272	1.00	1.30
4R7	4.7	338	406	0.80	1.15

PCMC(B) type

PCMC042T-***MN	L0(μH) Inductance	Rdc(mΩ)		Rated current (A)	Saturation current (A)
		Typical	MAX.		
R10	0.10	4.5	5.0	11	30
R22	0.22	7.3	8.0	9	17
R47	0.47	14.0	15.5	6	11.5
1R0	1.00	32.0	36.0	3.8	8.5

PCMB042T-***MS	L0(μH) Inductance	Rdc(mΩ)		Rated current (A)	Saturation current (A)
		Typical	MAX.		
R10	0.10	3.5	4.0	12	22
R22	0.22	6.0	6.6	9	13
R47	0.47	12.5	12.0	7	9.5
1R0	1.00	24.0	27.0	4.5	7.0
1R5	1.50	38.0	46.0	4.0	6.0
2R2	2.20	52.0	58.0	3.0	5.0

PCMC053T-***MN	L0(μH) Inductance	Rdc(mΩ)		Rated current (A)	Saturation current (A)
		Typical	MAX.		
R68	0.68	11.0	12.0	8.5	14.0
1R0	1.0	13.0	14.0	7.0	11.0
1R2	1.2	15.0	16.0	6.5	11.0
1R5	1.5	18.0	20.0	6.0	10.0
2R2	2.2	29.0	35.0	5.5	9.0
3R3	3.3	32.0	38.0	5.0	7.0

PS type

PS031B-***MS	L0(μH) Inductance	Rdc(mΩ)		Rated current (A)	Saturation current (A)
		Typical	MAX.		
2R2	2.2	75	90	1.40	1.10
4R7	4.7	120	140	1.20	0.77
6R8	6.8	160	190	1.00	0.67
100	10.0	260	300	0.90	0.54

PS031T-***MS	L0(μH) Inductance	Rdc(mΩ)		Rated current (A)	Saturation current (A)
		Typical	MAX.		
2R2	2.2	90	105	1.30	1.10
3R3	3.3	130	150	1.20	0.90
4R7	4.7	170	200	1.00	0.75
6R8	6.8	200	230	0.90	0.65
100	10.0	300	340	0.80	0.52

PS041B-***MS	L0(μH) Inductance	Rdc(mΩ)		Rated current (A)	Saturation current (A)
		Typical	MAX.		
2R2	2.2	80	95	1.30	1.70
3R3	3.3	100	120	1.10	1.40
4R7	4.7	120	145	1.00	1.15
6R8	6.8	180	216	0.84	1.00

Rated current : Current that will increase temperature by 40°C
 Saturating current : The current that decreases inductance by 30%
 for PS and PW. 20% for PCMC (B)

Packaging : 2,000 piece reel for PW, PS031T(B),
 1000 piece reel for PCMC042T, PCMC053T

PART NUMBER

PS 031* - *** M (S)

Materials : Materials; refer to electrical characteristics table.
 Resistance Tolerance ±20%
 Inductance value
 Dimensions : B (2.9mm*2.9mm*1.2mm)
 : T (2.9mm*2.9mm*1.0mm)
 Part Code

Mouser Electronics

Authorized Distributor

Click to View Pricing, Inventory, Delivery & Lifecycle Information:

Susumu:

[PCMB042T-1R0MS](#) [PCMB042T-2R2MS](#) [PCMB042T-R10MS](#) [PCMB042T-R22MS](#) [PCMB042T-R47MS](#) [PCMB103E-1R0MS](#) [PCMB103T-8R2MS](#) [PCMB103T-R36MS](#) [PCMB103T-R47MS](#) [PCMB104E-2R2MS](#) [PCMB104E-3R3MS](#) [PCMB104E-4R7MS](#) [PCMB104E-6R8MS](#) [PCMB104T-100MS](#) [PCMB104T-1R0MT](#) [PCMB104T-1R8MS](#) [PCMB104T-2R0MS](#) [PCMB104T-2R2MS](#) [PCMB104T-3R3MS](#) [PCMB104T-R36MT](#) [PCMB104T-R56MT](#) [PCMB105T-R47MS](#) [PCMB063T-8R2MN](#) [PCMB063T-100MN](#)