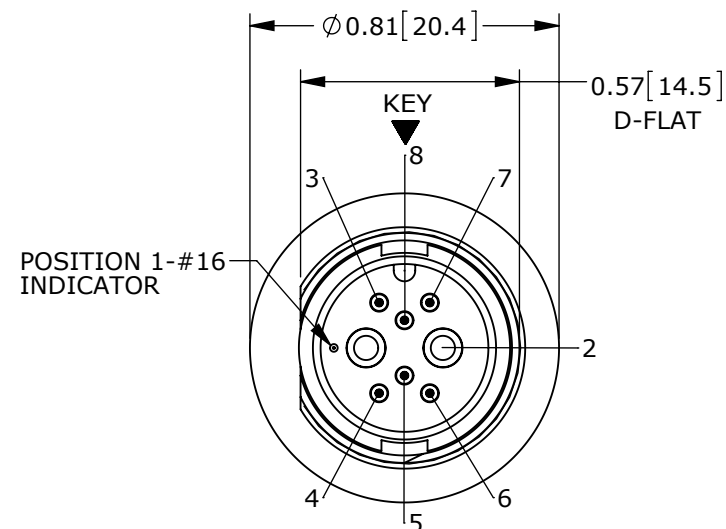
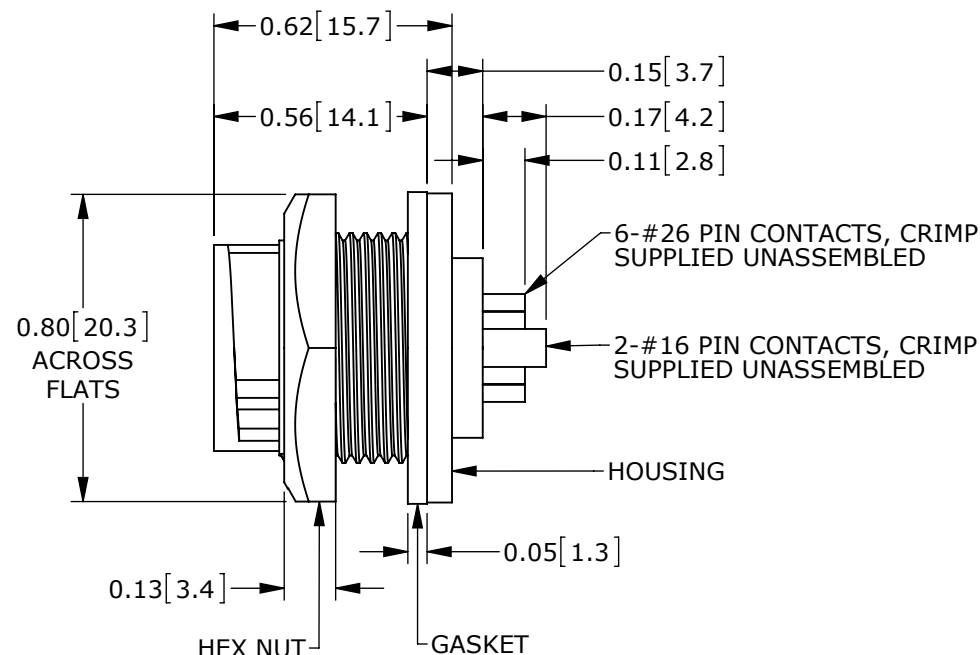


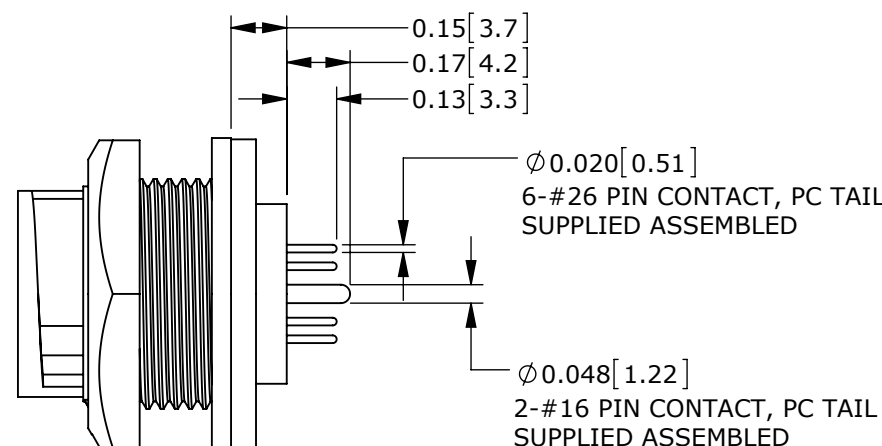
CUSTOMER PRINT

PART NUMBER: W7A8X-8PG-3XX\_CD

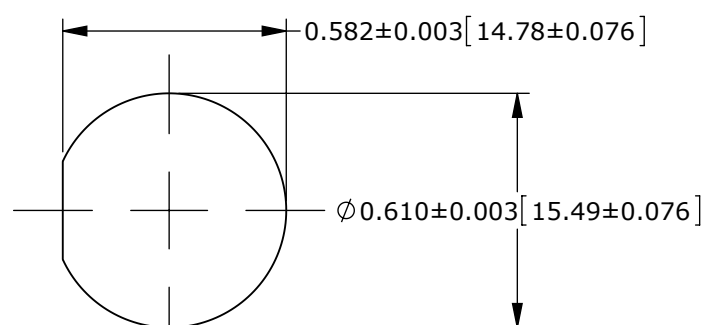
**NOTES:**  
 1. ALL PARTS TO BE BULK PACKED.  
 2. SEE DRAWING HPMIMIX FOR HOLE PATTERN.  
 3. DIMENSIONS ARE FOR REFERENCE ONLY.



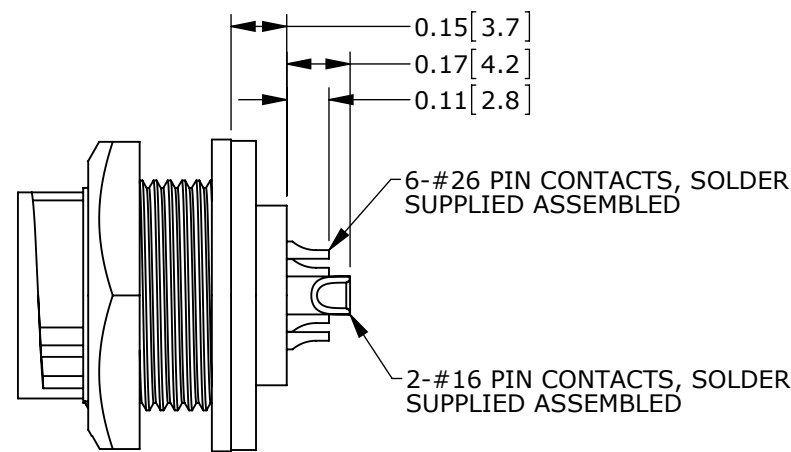
**MATING FACE**  
 ASSY: W7A81-8PG-3ES SHOWN



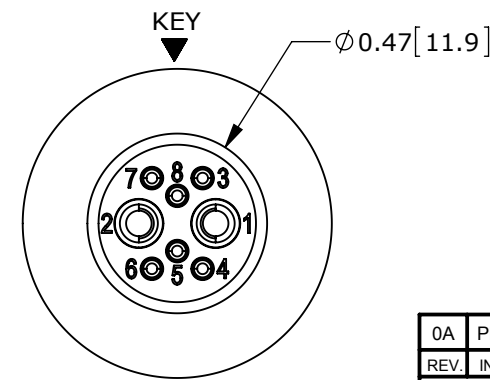
**ASSEMBLED VIEW**  
 ASSY: W7A81-8PG-3ES SHOWN



RECOMMENDED PANEL CUTOUT

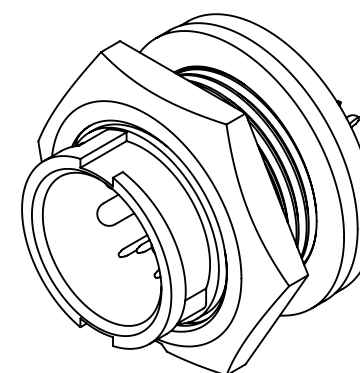


**ASSEMBLED VIEW**  
 ASSY: W7A82-8PG-300 SHOWN



**WIRING END**  
 ASSY: W7A82-8PG-300 SHOWN

CONNECTOR P/N	POSITIONS		CONTACT STYLE	EPOXY
	#16	#26		
W7A80-8PG-300	2	6	CRIMP	(NONE)
W7A81-8PG-300			PC TAIL	(NONE)
W7A81-8PG-3ES			PC TAIL	ES
W7A82-8PG-300			SOLDER	(NONE)
W7A82-8PG-3ES			SOLDER	ES



**CUSTOMER APPROVAL**

THIS DOCUMENT CONTAINS CONFIDENTIAL INFORMATION PROPRIETARY TO CONXALL CORPORATION. ANY REPRODUCTION, DISCLOSURE, OR USE OF THIS DOCUMENT /INFORMATION IS EXPRESSLY PROHIBITED UNLESS AUTHORIZED IN WRITING BY CONXALL CORPORATION.

APPROVED BY: \_\_\_\_\_  
 DATE: \_\_\_\_\_

**PRELIMINARY**

**RoHS COMPLIANT**

0A	PNK	10-29-14	PDR 14001 PRELIMINARY	
REV.	INIT.	DATE	DESCRIPTION	
			ORIG. DRAWN BY: PNK	DATE: 10-29-14
ALL INFORMATION ILLUSTRATED IS THE PROPERTY OF CONXALL CORPORATION. UNAUTHORIZED DUPLICATION OR DISTRIBUTION OF THIS DOCUMENT IS PROHIBITED.				
ALL UNITS ARE IN FEET, INCHES, FRACTION OF INCHES AND DECIMALS. UNLESS OTHERWISE SPECIFIED TOLERANCES: 3 PLACE DECIMALS ±.005 ANGLES ±1° FRACTIONS ±1/16			APPROVED BY:	TITLE: PANEL-MOUNT CONNECTOR 2-16 + 6-26 PIN CONTACTS MINI-CON-X POWER/SIGNAL STANDARD PRODUCT
SCALE: NTS	SIZE: B	SHEET: 1 OF 1	CUSTOMER: STANDARD PRODUCT	
FILE: W7A8X-8PG-3XX_CD	DIRECTORY: SLW	PART NUMBER: W7A8X-8PG-3XX_CD	REV 0A	