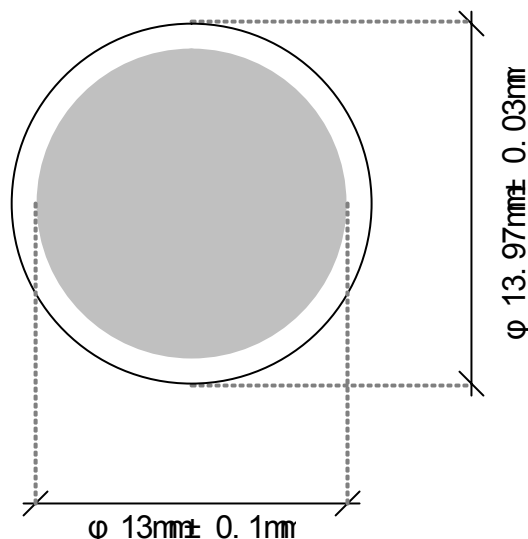


Specification	AXQCM500-Ag-Al	Rev.: 3	Date: 2014-06-02
---------------	----------------	---------	------------------

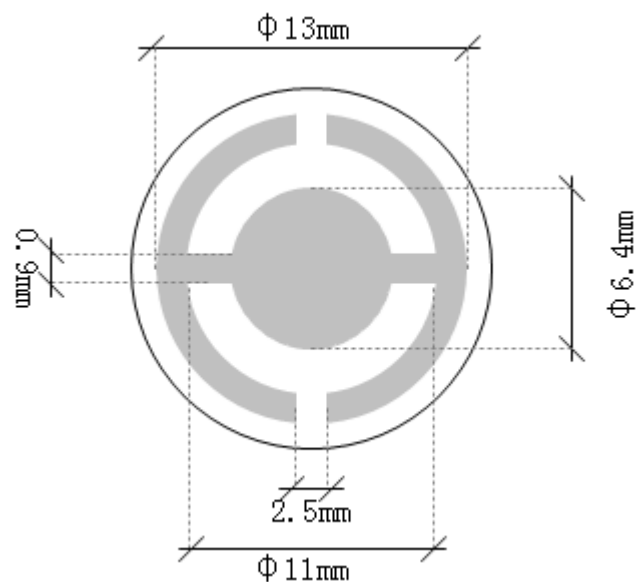
Type : **Quartz Crystal Microbalance Element (Monitor Crystal)**
(Electrodes Maxtek Style)

Parameter	min.	typ.	max.	Unit	Condition
Nominal frequency		5.000		MHz	
Adjustment frequency		4.960		MHz	
Crystal cut		AT			
Overtone		1			
Adjustment tolerance	-7		+7	kHz	@ 25°C
Frequency stability					
Resonance resistance R_r			15	Ω	
Motional capacitance C_1				fF	
Shunt capacitance C_0			7	pF	
Drive level		100		μ W	
Operating temperature range	0		+70	°C	
Storage temperature range	-40		+105	°C	
QCM diameter		13.97+0-0.03		mm	
Blank surface quality		Fine lapped			
Electrode diameter Side A		13.3 ± 0.1		mm	Fully plated
Electrode material Side A		Cr-Ag-Al			
Electrode diameter Side B		6.0 ± 0.05		mm	See drawing
Electrode material Side B		Cr-Ag-Al			

Side A (Plane)



Side B (Convex)



Ordering Code:

Model (Specification)	Frequency [MHz]
AXQCM500-Ag-Al	4.960

Revision History

Rev.	Drawing	Date [dd.mm.yyyy]	Remarks	Author	Checked
2.1	D0	16.10.2013		EP	BN
3	D1	02.06.2014	Editorial changes	BN	BN