

MINIATURE GLASS PASSIVATED SINGLE-PHASE SURFACE MOUNT BRIDGE RECTIFIER

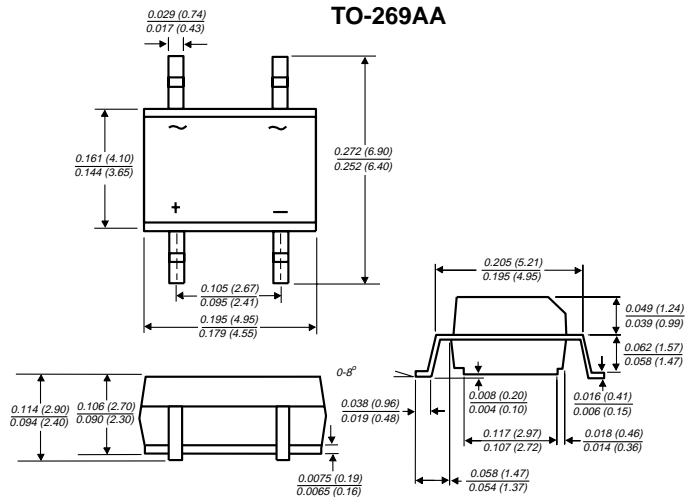
Reverse Voltage - 600 Volts Forward Current - 0.5 Ampere

FEATURES

- Plastic package has Underwriters Laboratory Flammability Classification 94V-0
- This series is UL recognized under Component Index, file number E54214
- Glass passivated chip junctions
- High surge overload rating: 35A peak
- Saves space on printed circuit boards
- High temperature soldering guaranteed:
260°C/10 seconds at 5 lbs. (2.3kg) tension

MECHANICAL DATA

- **Case:** Molded plastic body over passivated junctions
- **Terminals:** Plated leads solderable per MIL-STD-750, Method 2026
- **Polarity:** Polarity symbols marked on body
- **Mounting Position:** Any
- **Weight:** 0.0078 ounce, 0.22 gram



Dimensions in inches and (millimeters)

MAXIMUM RATINGS AND ELECTRICAL CHARACTERISTICS

Ratings at 25°C ambient temperature unless otherwise specified.

	SYMBOLS			UNITS
Maximum repetitive peak reverse voltage	V_{RRM}	600		Volts
Maximum RMS voltage	V_{RMS}	420		Volts
Maximum DC blocking voltage	V_{DC}	600		Volts
Maximum average forward output rectified current at $T_A=30^\circ\text{C}$	$I_{(AV)}$	0.5		Amp
- on glass-epoxy P.C.B. (NOTE 1) - on aluminum substrate (NOTE 2)		0.8		
Peak forward surge current 8.3msec single half sine-wave superimposed on rated load (JEDEC Method)	I_{FSM}	35.0		Amps
Rating for fusing ($t < 8.3\text{ms}$)	I^2t	5.0		A^2sec
Maximum instantaneous forward voltage drop per leg at 0.4A	V_F	1.0		Volts
Maximum DC reverse current at rated DC blocking voltage per leg	I_R	5.0		μA
$T_A=25^\circ\text{C}$ $T_A=125^\circ\text{C}$		100		
Typical junction capacitance per leg (NOTE 3)	C_J	13.0		pF
Typical thermal resistance per leg	$R_{\theta JA}$ $R_{\theta JA}$ $R_{\theta JL}$	85.0		$^\circ\text{C/W}$
(NOTE 1)		70.0		
(NOTE 2) (NOTE 1)		20.0		
Operating junction and storage temperature range	T_J, T_{STG}	-55 to +150		$^\circ\text{C}$

NOTES:

- (1) On glass epoxy P.C.B. mounted on 0.05 x 0.05" (1.3 x 1.3mm) pads
- (2) On aluminum substrate P.C.B. with an area of 0.8" x 0.8" (20 x 20mm) mounted on 0.05 x 0.05" (1.3 x 1.3mm) solder pad
- (3) Measured at 1.0 MHz and applied reverse voltage of 4.0 Volts

FIG. 1 - DERATING CURVE FOR OUTPUT RECTIFIED CURRENT

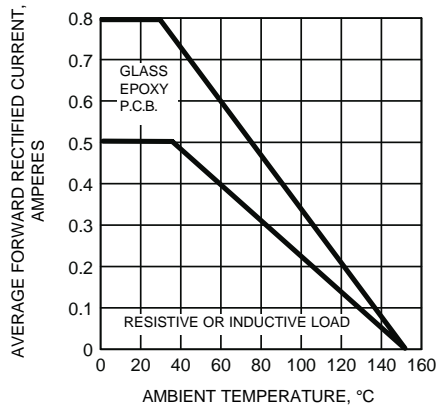


FIG. 2 - MAXIMUM NON-REPETITIVE PEAK FORWARD SURGE CURRENT PER LEG

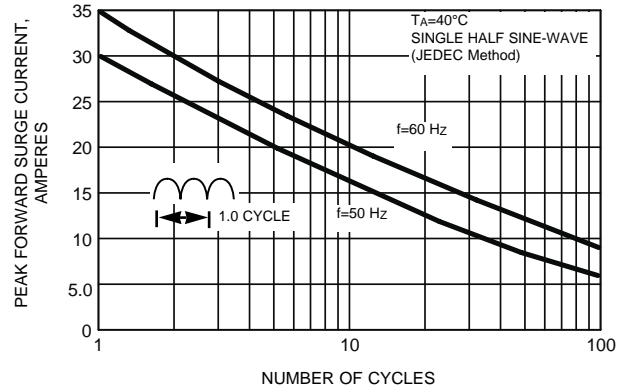


FIG. 3 - TYPICAL FORWARD VOLTAGE CHARACTERISTICS PER LEG

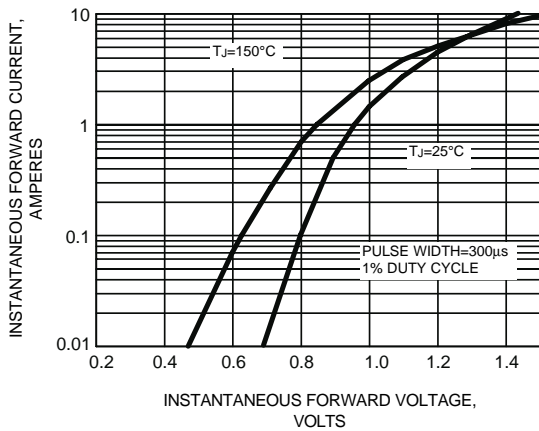


FIG. 4 - TYPICAL REVERSE LEAKAGE CHARACTERISTICS PER LEG

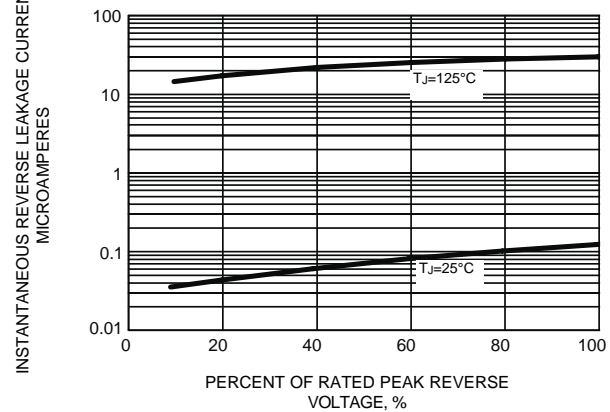


FIG. 5 - TYPICAL JUNCTION CAPACITANCE PER LEG

