



MEAX-5800-MM

5GNR Magnetic Mount
Part #: 100-00200-01

Description

The MEA-5800-MM magnet Mount Antenna is a 5GNR antenna solution, with high gain and efficiency ideal for maintaining constant mobile connectivity. The MEA-5800-MM covers all 5G, 4G, 3G and 2G frequencies. This is an ideal antenna for telematics systems, remote surveillance, asset tracking and any IOT system applications. The high performance make this antenna ideal for the most challenging installations.

This magnet mount antenna is easy to install with maximum durability. The MEA-5800-MM has one cable with a SMA-Male standard connector, 2m standard cable length and is fully customizable by offering additional connector types, cable lengths and cable types.



Electrical Specification

Parameter	Specification	
Frequency Range	617-960 MHz	1427-2690 MHz
Band	600, 700, 850, 900 MHz	1500, 1600, 1700, 1800, 1900, 2000, 2100, 2300, 2500, 2600 MHz
Return Loss	-4.5 dB	-8 dB
VSWR	4.2:1	2.3:1
Efficiency	60.5%	54.6%
Peak Gain	1.0 dBi	2.9 dBi
Average Gain	-2.2 dB	-2.6 dB
Frequency Range	3300-5000 MHz	5150-5925 MHz
Band	5200, 5500, 5800 MHz	3300, 3500, 3600, 3700, 4500 MHz
Return Loss	-11 dB	-10 dB
VSWR	1.8:1	1.9:1
Efficiency	27.7%	23.1%
Peak Gain	2.5 dBi	0.4 dBi
Average Gain	-5.7 dB	-6.4 dB
Impedance	50 Ω	
Polarization	Linear	
Radiation Pattern	Omni-Directional	
Max. Input Power	35 W	

Features

- 5GNR Frequency range (617-960 MHz, 1427-2690 MHz, 3300-5000 MHz, 5150-5925 MHz)
- Easy mounting: Magnetic Mount
- High Performance
- Customizable Cable and Connector
- Low profile: Ø 31 x 109 mm

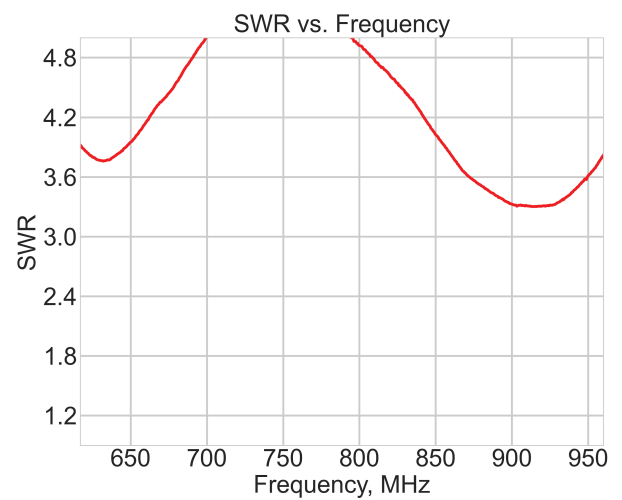
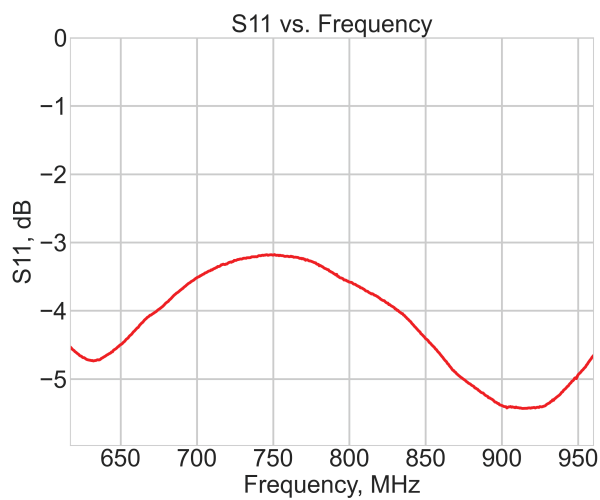
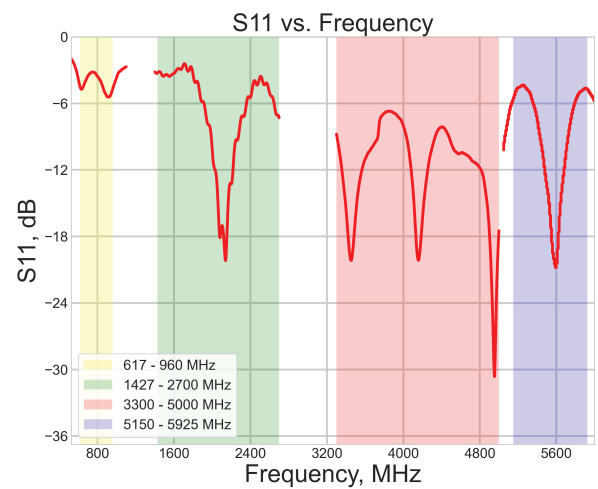
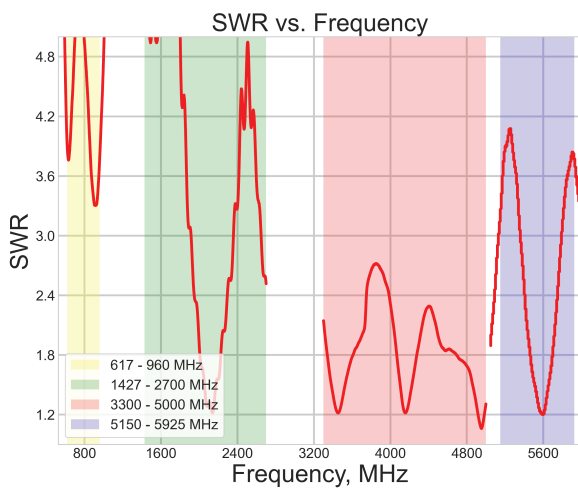
Applications

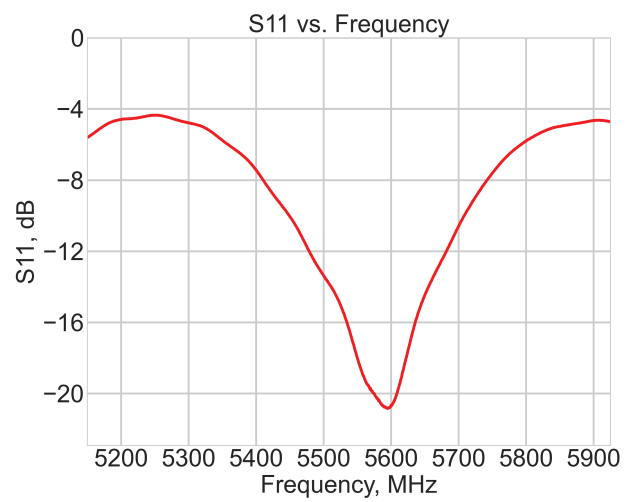
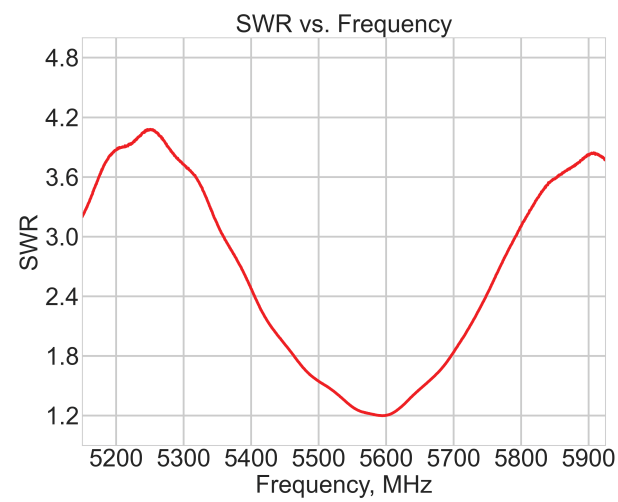
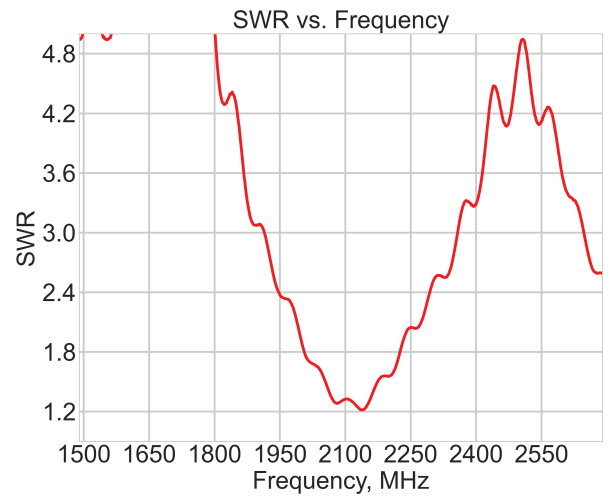
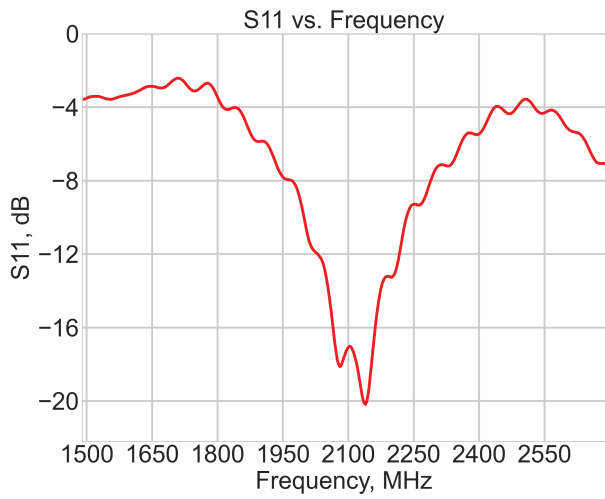
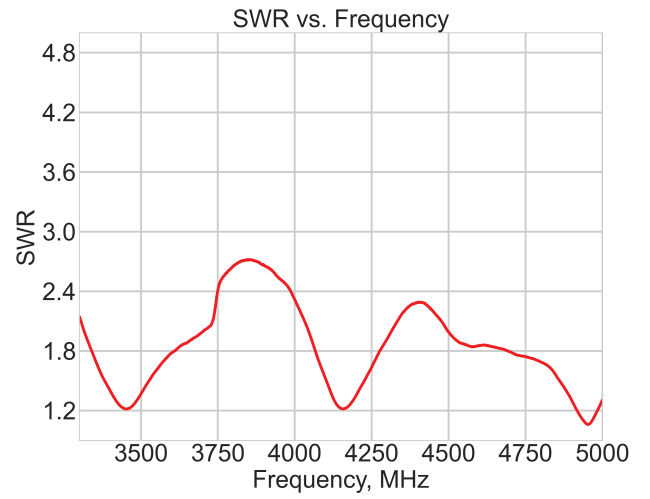
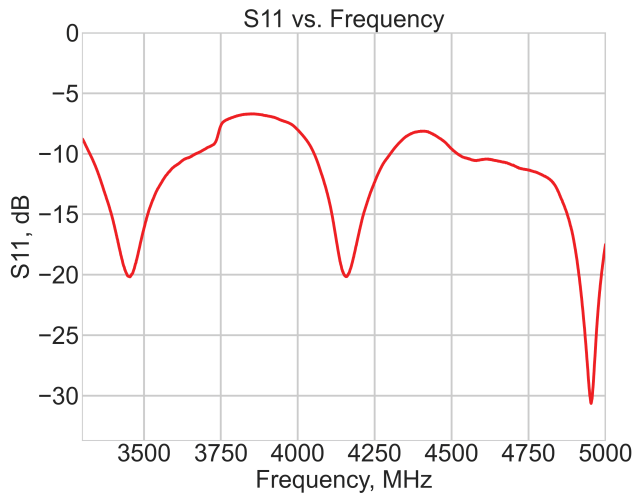
- Asset Tracking
- Telematics
- Container & Logistics
- Automotive
- Industrial Applications
- IOT Applications

Mechanical Specification

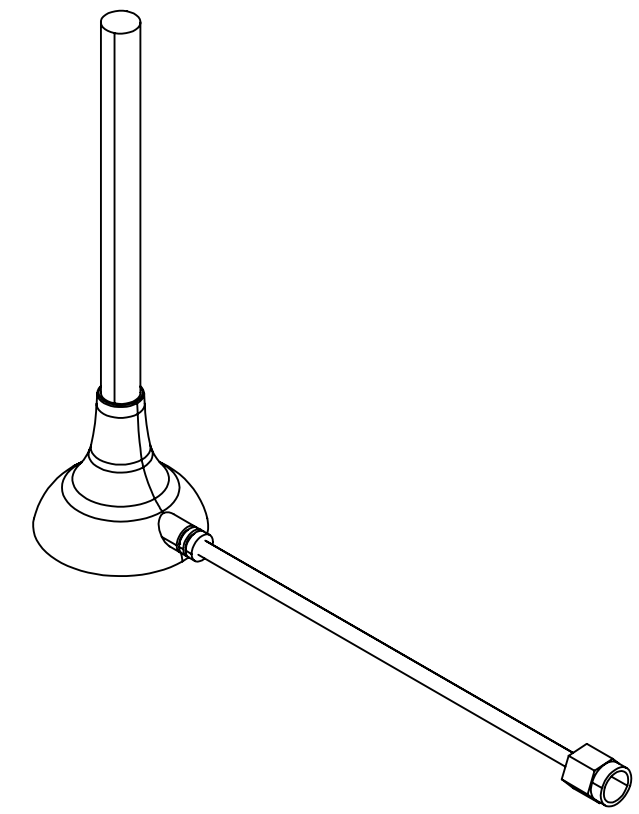
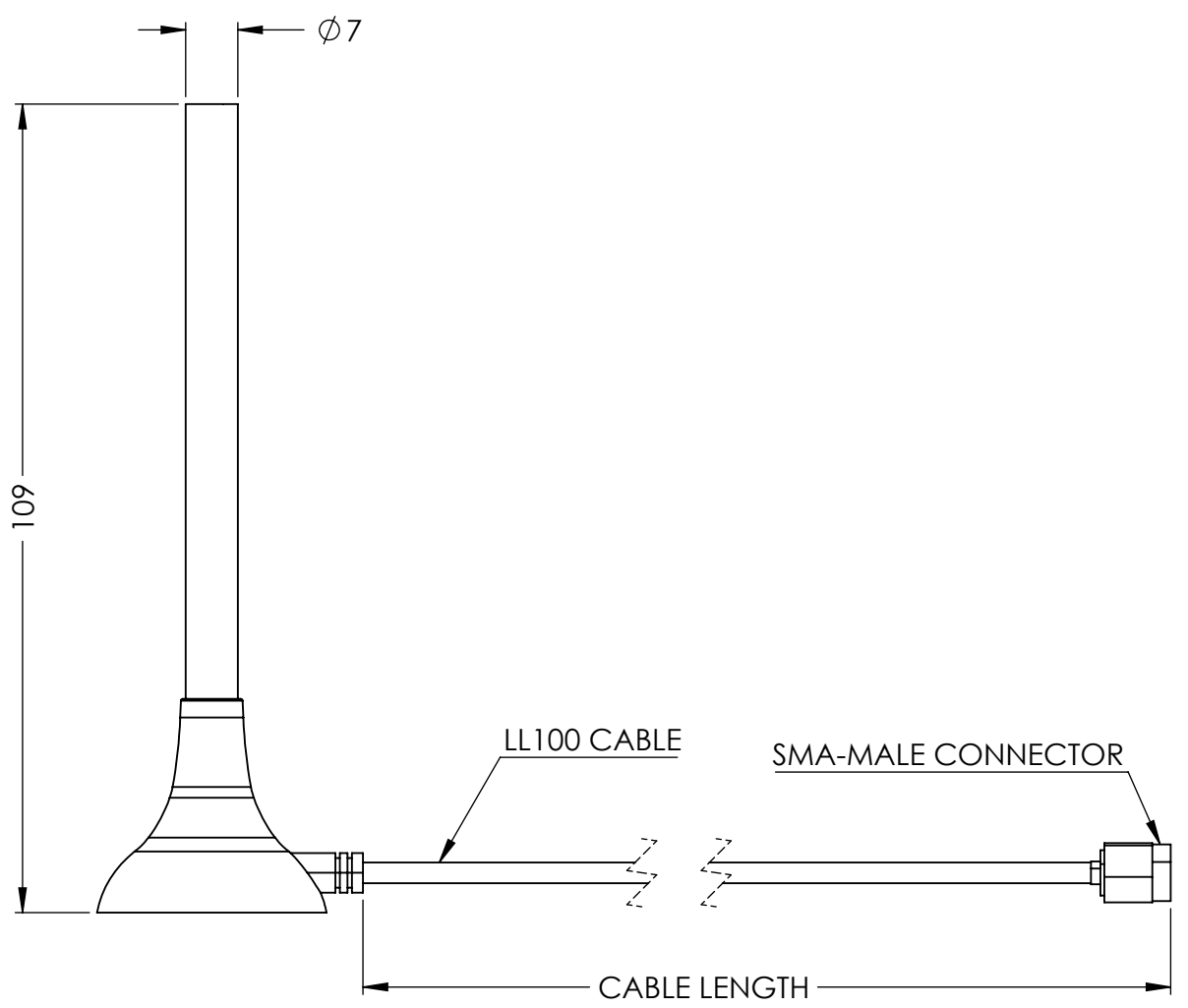
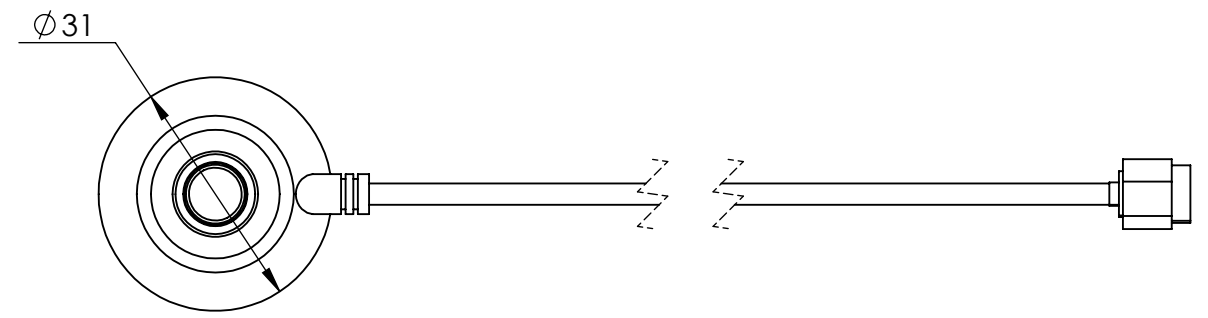
Parameter	Specification
Antenna Dimensions	Ø 31 × 109 mm
Operating Temperature	-40°C to + 85°C
Mounting Type	Magnetic Mount
Connector	SMA-Male Standard (Other Connectors Available)
Cable Type	LL100 Standard
Antenna Base	PP
Whip Material	Brass
Radome color	Black
Substance Compliance	RoHS

*Mounted on 30 x 30 cm Metal Plate





DRAWING REVISION HISTORY			
REV	DESCRIPTION	DATE	BY
A	INITIAL RELEASE	2021-08-30	JET



- NOTES:
- FREQUENCY: (5G, 4G, 3G and 2G)
617-960 MHz, 1427-2690 MHz, 3300-5000 MHz AND 5150-5925 MHz
 - DIMENSIONS ARE AFTER MOUNTING
 - CUSTOMIZABLE CABLE AND CONNECTOR TYPE
 - MOUNTING TYPE: MAGNETIC MOUNT
 - MATERIALS:
 - ANTENNA BASE: PP
 - WHIP: BRASS
 - RADOME COLOR: BLACK
 - OPERATING TEMPERATURE: -40°C ~ +85°C
 - STORAGE TEMPERATURE: -40°C ~ +85°C

ITEM 100-00200 REVISION HISTORY			
REV	DESCRIPTION	DATE	BY
A	INITIAL RELEASE	2021-08-30	JET

100-00200 CONFIGURATION TABLE				
DASH NO	CABLE TYPE	CABLE LENGTH	CONNECTOR TYPE	RADOME COLOR
-01	LL100	200 CM	SMA-MALE	BLACK

UNLESS OTHERWISE SPECIFIED:

DIMENSIONS ARE IN MM
TOLERANCES:
FRACTIONAL: ±
ANGULAR: MACH ± .5° BEND ±
ONE PLACE DECIMAL ± 1.0
TWO PLACE DECIMAL ± .50

INTERPRET GEOMETRIC TOLERANCING PER:

THIRD ANGLE PROJECTION
DO NOT SCALE DRAWING

CAD MAINTAINED. CHANGES SHALL BE INCORPORATED BY THE DESIGN ACTIVITY.

NAME		DATE		MAXTENA, INC 100-00200 MEA-5800-MM	
DRAWN	JET	2021-08-30			
CHECKED	ZX	2021-08-30			
ENG APPR.	NPC	2021-08-30			
MFG APPR.				TITLE:	
Q.A.				SIZE	
				DWG. NO.	
				B 117-00502-01	
				REV	
				A	
CAGE CODE: 5KQH7		SCALE: NONE		SHEET 1 OF 1	

PROPRIETARY AND CONFIDENTIAL
THE INFORMATION CONTAINED IN THIS DRAWING IS THE SOLE PROPERTY OF MAXTENA, INC. ANY REPRODUCTION IN PART OR AS A WHOLE WITHOUT THE WRITTEN PERMISSION OF MAXTENA, INC IS PROHIBITED.