

POS



PA-3110

The One-of-a-kind Highly Integrated Fanless 10.4" RISC POS Terminal

Features and Benefits:

- nVIDIA Tegra3 CPU & Android 4.1
- 10.4" LCD display with touch
- Flexible design for versatile applications
- Fanless POS
- Optional 2"/3" easy loading thermal printer
- Small footprint
- Streamline design



Protech Systems Co., Ltd.

No. 24, Lane 365, Yang Goang Street, Nei Hu District Taipei 114, Taiwan
TEL: +886-2-8751-1111 FAX: +886-2-8751-1199
E-mail: sales@protech.com.tw
<http://www.protech.com.tw>

Protech Technologies Inc.

950 Fee Ana St, Suite B Placentia, CA 92870
TEL: +1-714-996-7200 FAX: +1-714-996-7300
Sales: sales@protech-usa.net
<http://www.protech-usa.net>

Protech Japan Co., Ltd.

OSK Bldg, 6F, 6-25-14, Minami-ohi Shinagawa-ku, Tokyo, 140-0013
TEL: +81-3-5753-8411 FAX: +81-3-3763-9282
E-mail: sam@protech-j.com
<http://www.protech-j.com>



i-Button



USB



Printer



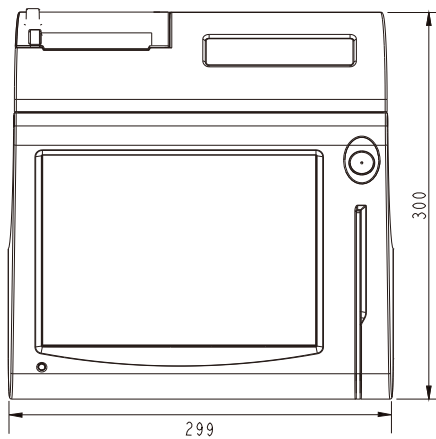
Customer Display

ISO CERTIFIED
9001 14001

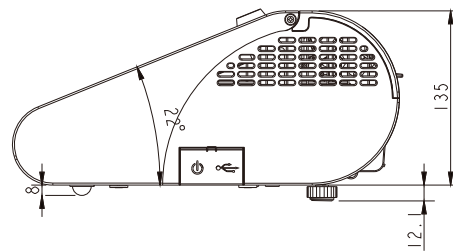
PA-3110

The One-of-a-kind Highly Integrated Fanless 10.4" RISC POS Terminal

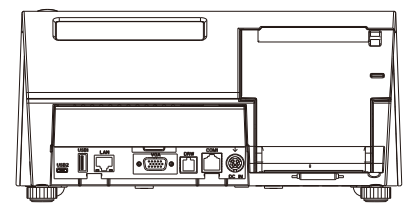
Top View



Side View



Rear View



Unit: mm

Specification

System	
CPU Support	nVIDIA Tegra3 Quad Core 1.2GHz CPU
Memory	DDR3 1GB (on board)
Flash	8GB eMMC (on board)
Network	10/100 Mbps
Power Supply	30~72 watt power adapter
System Weight	4.5 kg (Fanless)
Dimension (W x H x D)	300 X 299 X 135mm(11.81" X 11.77" X 5.31")
O.S. Support	Android 4.1

Storage

SSD	Standard SDHC
------------	---------------

I/O Ports

USB	3 x USB, rear x 2 (OTG/ type A), side x 1 (type A)
Serial Ports	1 x DB-9 (Full COM x 1), 1 x RJ-45 (RX, TX, RTS, CTS), 2 x internal wafer (RX, TX, RTS, CTS), All support +5V/12V selectable
LAN	1 x 10 / 100 Mbps
VGA	1 x DB-15 VGA interface
Audio	1 x 2W speaker
Cash Drawer	1 x RJ11 Cash Drawer port (12V/24V)
Printer	2" or 3" easy loading thermal printer with Auto cutter

Display

LCD	10.4" TFT LCD
Max. Resolution	1024 x 768 / 800 x 600
Brightness	300 / 230 cd/m ²
Touch Screen	5-wire Analog resistive
Tilt Angle	24~30 degrees

Environment

EMC & Safety	CE / FCC
Operating Temp.	0 ~ 35° C
Storage Temp.	-20 ~ 60° C
Humidity	20 ~ 90%

Ordering Information

PA-3110RA-A0B	10.4" POS Terminal with Tegra3 CPU, 8GB eMMC flash, 1GB DDR3 memory
PA-3110RZ-51A	MSR ISO Track1+2+3
PA-3110RZ-31B	VFD, 20 columns and 2 lines
PA-3110RZ-42B	3" Thermal Printer with Auto cutter
52-002-11072302	DC 24V/ 72 Watt Power Adaptor
Color	Red, Navy Blue, Black or White

All of trademarks and brand names are the property of their owners. Trademark "Protech" is the property of Protech Systems Co., Ltd. All information contained in this document is subject to change without any prior notice. This catalog is copyrighted in May 2013.