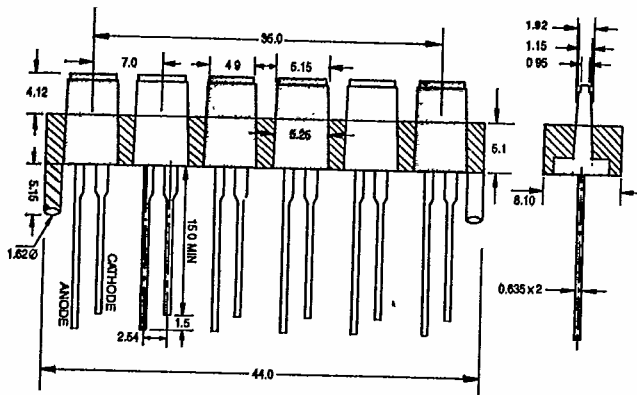
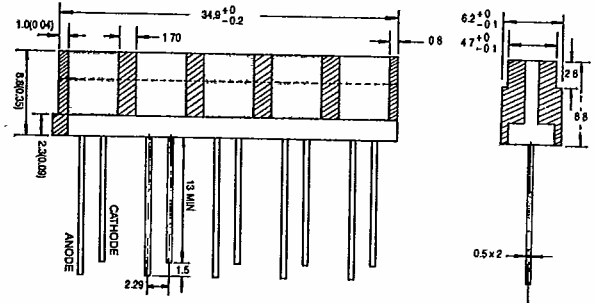


HOLDER TYPE



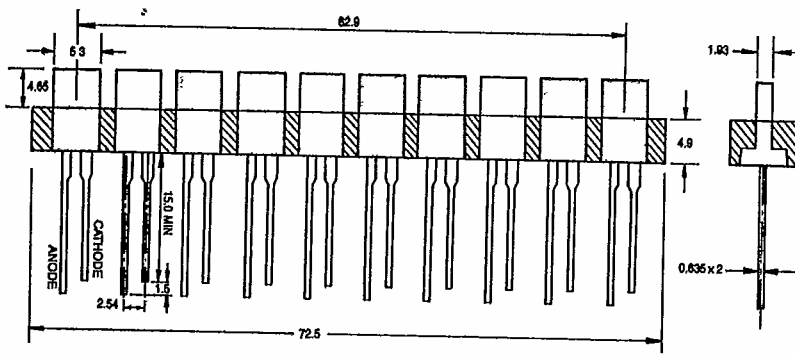
H-1 1x5m/m ARRAY SOCKET 6 SEGUENT

As sample in P25-58



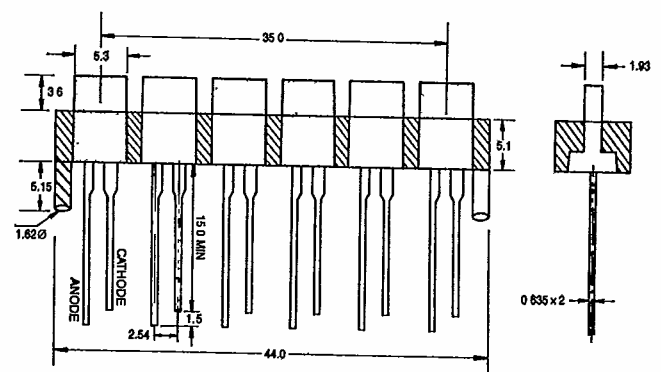
H-2 1.8x5.3m/m ARRAY SOCKET 5 SEGUENT

As sample in P25-59



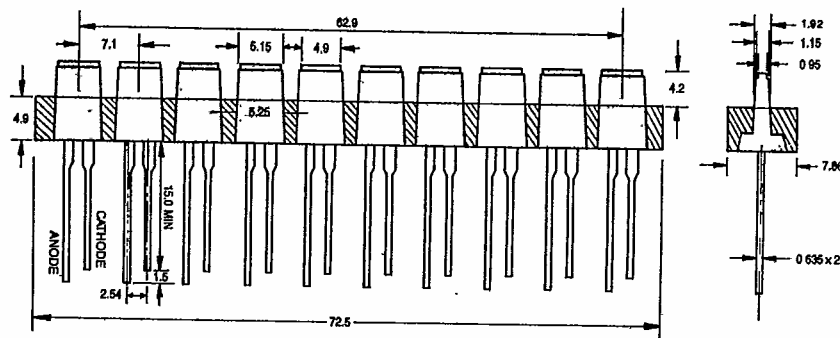
H-3 1.8x5.3m/m ARRAY SOCKET 10 SEGUENT

As sample in P25-60



H-4 1.8x5.3m/m ARRAY SOCKET 6 SEGUENT

As sample in P25-61

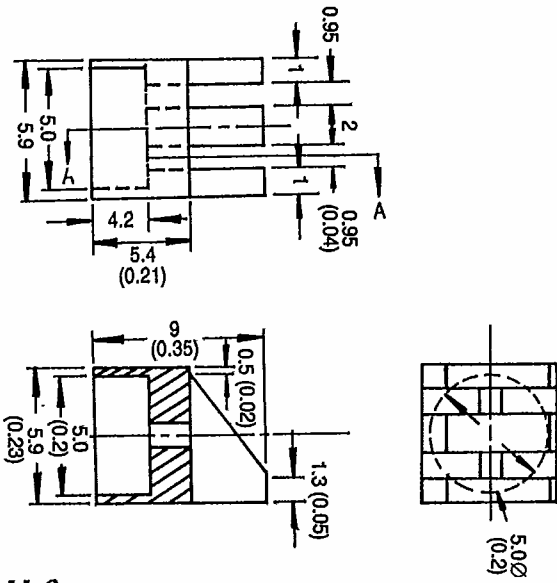
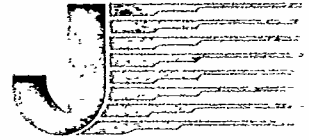


H-5 1x5m/m ARRAY SOCKET 10 SEGUENT

As sample in P25-62

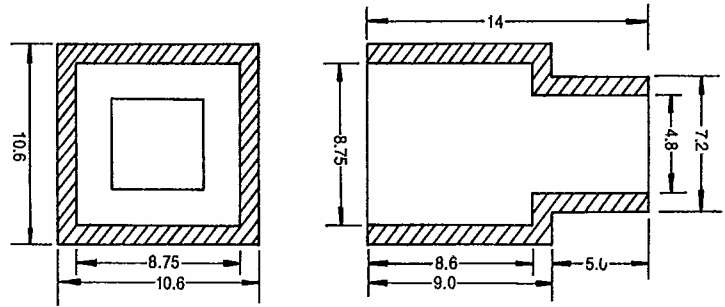
All Dimensions are in millimeters.
Tolerance is ± 0.2 mm

HOLDER TYPE



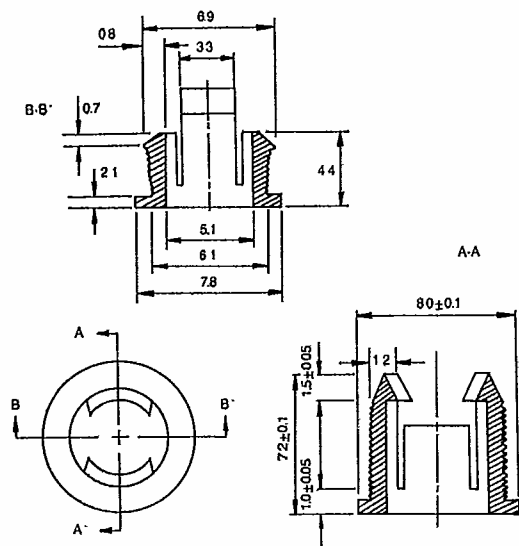
H-6 5m/m

As sample in P25-63



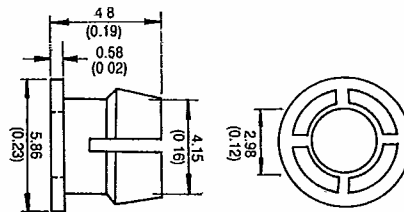
H-7 8x8m/m

As sample in P25-64



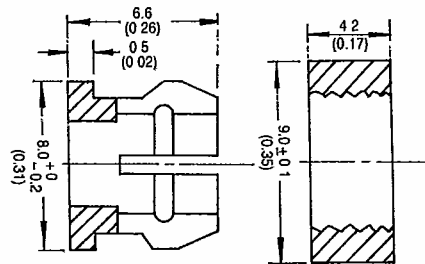
H-8 5m/m

As sample in P25-65



H-9 3m/m

As sample in P25-66



H-10 5m/m

As sample in P25-67

All Dimensions are in millimeters.
Tolerance is $\pm 0.2\text{mm}$